



US00D452918B1

(12) **United States Design Patent**
Ohanesian

(10) **Patent No.:** **US D452,918 S**

(45) **Date of Patent:** **** Jan. 8, 2002**

(54) **ROOF RIDGE COVER FOR A STORAGE SHED**

(76) **Inventor:** **Harout Ohanesian**, 6915 E. Slauson Ave., Commerce, CA (US) 90040

(**) **Term:** **14 Years**

(21) **Appl. No.:** **29/135,387**

(22) **Filed:** **Jan. 10, 2001**

(51) **LOC (7) Cl.** **25-01**

(52) **U.S. Cl.** **D25/139**

(58) **Field of Search** 52/43, 42, 465, 52/57, 783.11; D25/199, 164, 139, 135

(56) **References Cited**

U.S. PATENT DOCUMENTS

2,956,705 A	10/1960	Clingman	
3,661,434 A	5/1972	Alster	
3,729,881 A	5/1973	Disko	
3,736,035 A	5/1973	Brown et al.	
3,741,593 A	6/1973	Toti	
3,836,218 A	9/1974	Hallal	
3,847,460 A	11/1974	Weidt	
3,975,877 A	8/1976	Walton	
4,322,924 A	* 4/1982	Cooper	52/465
4,527,370 A	7/1985	Schuette	
4,865,402 A	9/1989	Walter	
4,910,928 A	3/1990	Cellar, Jr.	
5,078,367 A	1/1992	Simpson et al.	
5,237,790 A	8/1993	Smalley	
5,293,725 A	3/1994	Matticks et al.	
5,398,468 A	3/1995	Erickson	
5,437,573 A	8/1995	Rodriguezferre	

5,513,759 A	5/1996	Besserer et al.	
5,549,372 A	8/1996	Lewis	
5,634,300 A	6/1997	Huebner et al.	
5,647,181 A	7/1997	Hunts	
5,647,650 A	7/1997	Daugherty et al.	
5,864,997 A	2/1999	Kelly	
D416,091 S	11/1999	Ohanesian	
D435,672 S	* 12/2000	Hampel	D25/139

* cited by examiner

Primary Examiner—Doris Clark

(74) *Attorney, Agent, or Firm*—Myers, Dawes & Andras; Vic Y. Lin; Joseph C. Andras

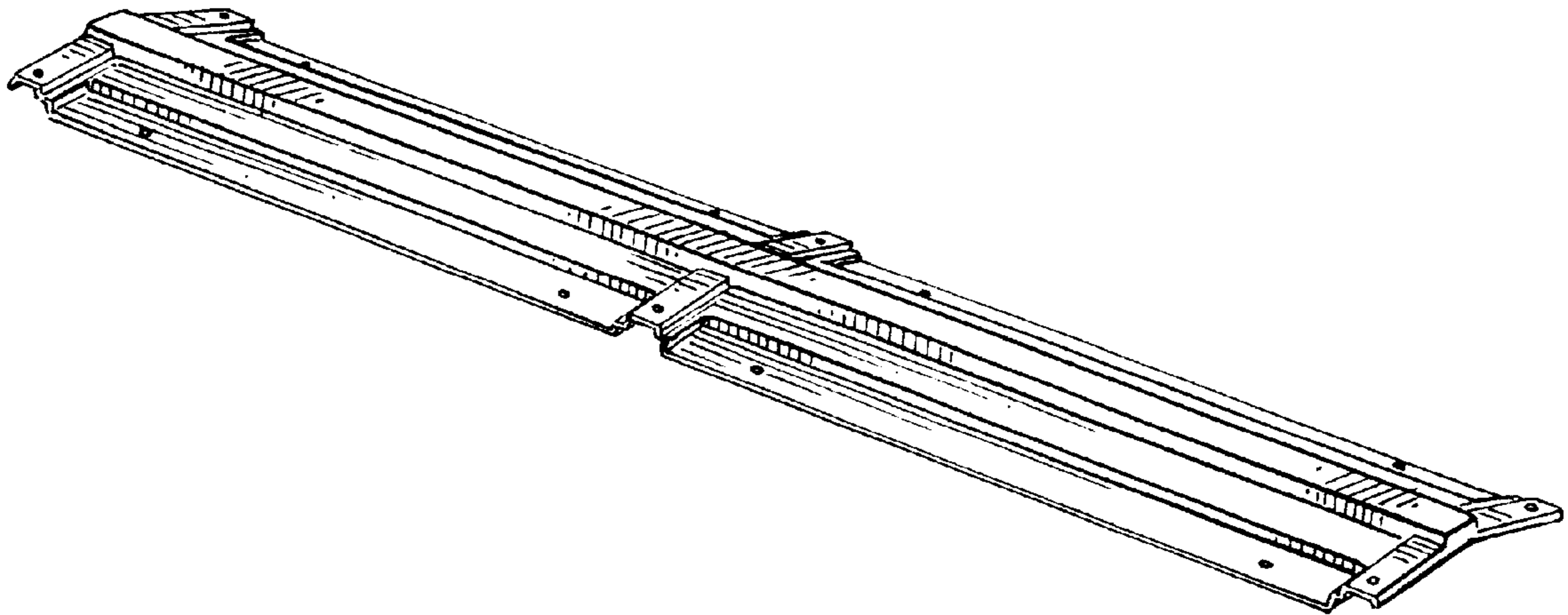
(57) **CLAIM**

I claim the ornamental design for the roof ridge cover for a storage shed, as shown and described.

DESCRIPTION

FIG. 1 is a top perspective view of a roof ridge cover for a storage shed;
 FIG. 2 is a top plan view of the roof ridge cover for a storage shed;
 FIG. 3 is a front elevational view of the roof ridge cover for a storage shed;
 FIG. 4 is a rear elevational view of the roof ridge cover for a storage shed;
 FIG. 5 is a bottom plan view of the roof ridge cover for a storage shed;
 FIG. 6 is a left side view of the roof ridge cover for a storage shed; and,
 FIG. 7 is a right side view of the roof ridge cover for a storage shed.

1 Claim, 1 Drawing Sheet



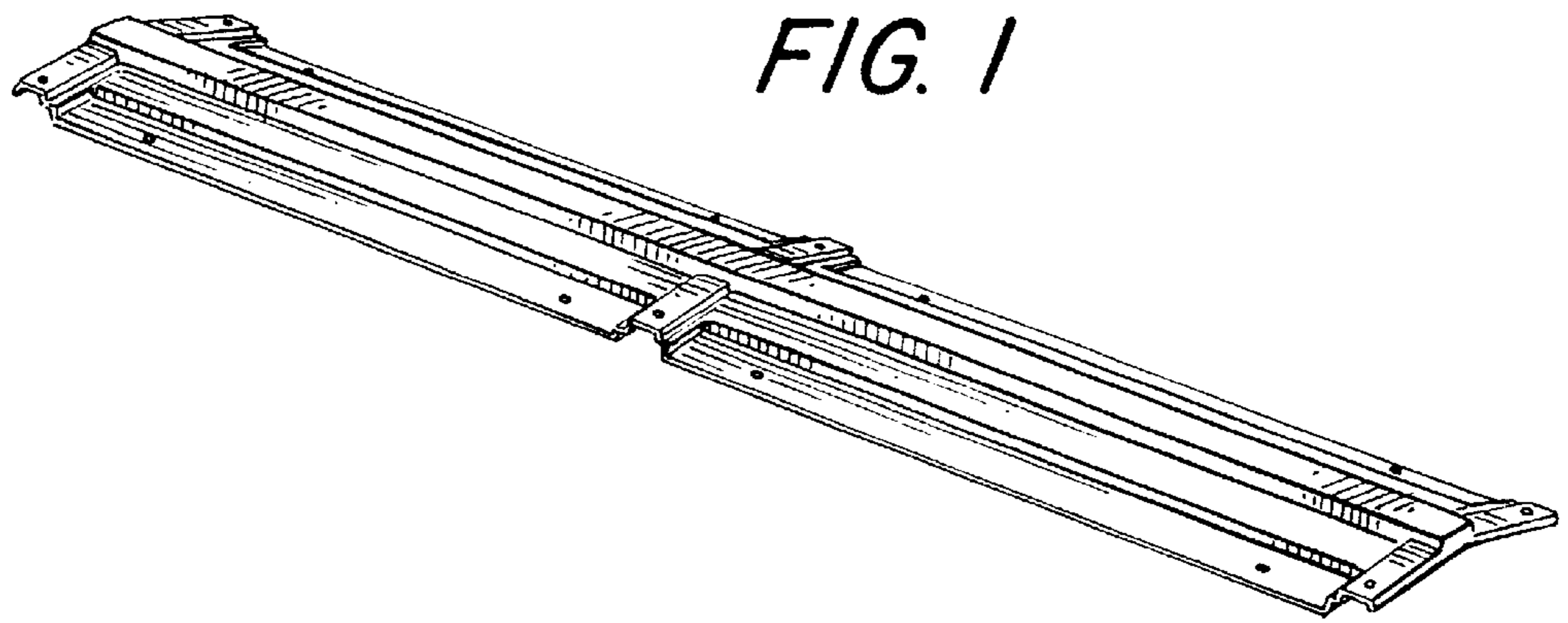


FIG. 2

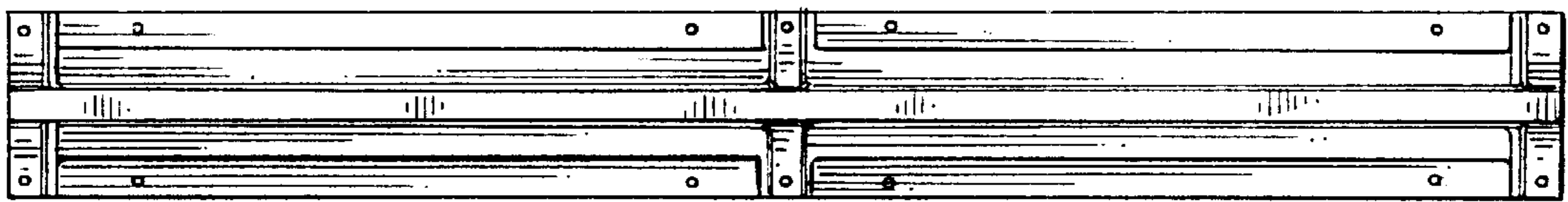


FIG. 3



FIG. 4



FIG. 5

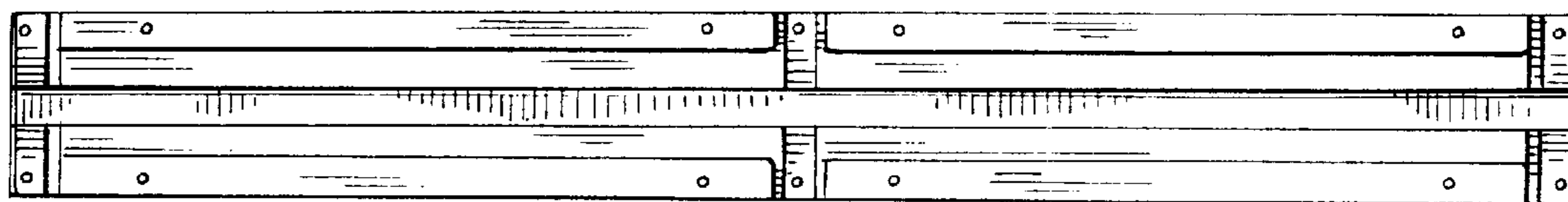


FIG. 6



FIG. 7

