



US00D452915B1

(12) **United States Design Patent**
Kieffer

(10) **Patent No.:** **US D452,915 S**

(45) **Date of Patent:** **** Jan. 8, 2002**

(54) **SEMI-OCTOPOST EXTRUSION**

(75) **Inventor:** **Stephen George Kieffer**, Washington Island, WI (US)

(73) **Assignee:** **Kieffer & Co., Inc.**, Sheboygan, WI (US)

(**) **Term:** **14 Years**

(21) **Appl. No.:** **29/145,539**

(22) **Filed:** **Jul. 26, 2001**

Related U.S. Application Data

(62) Division of application No. 29/113,105, filed on Nov. 1, 1999.

(51) **LOC (7) Cl.** **25-01**

(52) **U.S. Cl.** **D25/122; D25/126**

(58) **Field of Search** 135/114, 127;
D25/122, 126; 52/720.1, 726.1, 730.1, 732.1,
300, 301

(56) **References Cited**

U.S. PATENT DOCUMENTS

5,122,014 A * 6/1992 Genfan 135/114
D408,560 S * 4/1999 Bruder D25/122

* cited by examiner

Primary Examiner—Doris Clark

(74) *Attorney, Agent, or Firm*—Oblon, Spivak, McClelland, Maier & Neustadt, P.C.

(57) **CLAIM**

The ornamental design for semi-octopost extrusion, as shown and described.

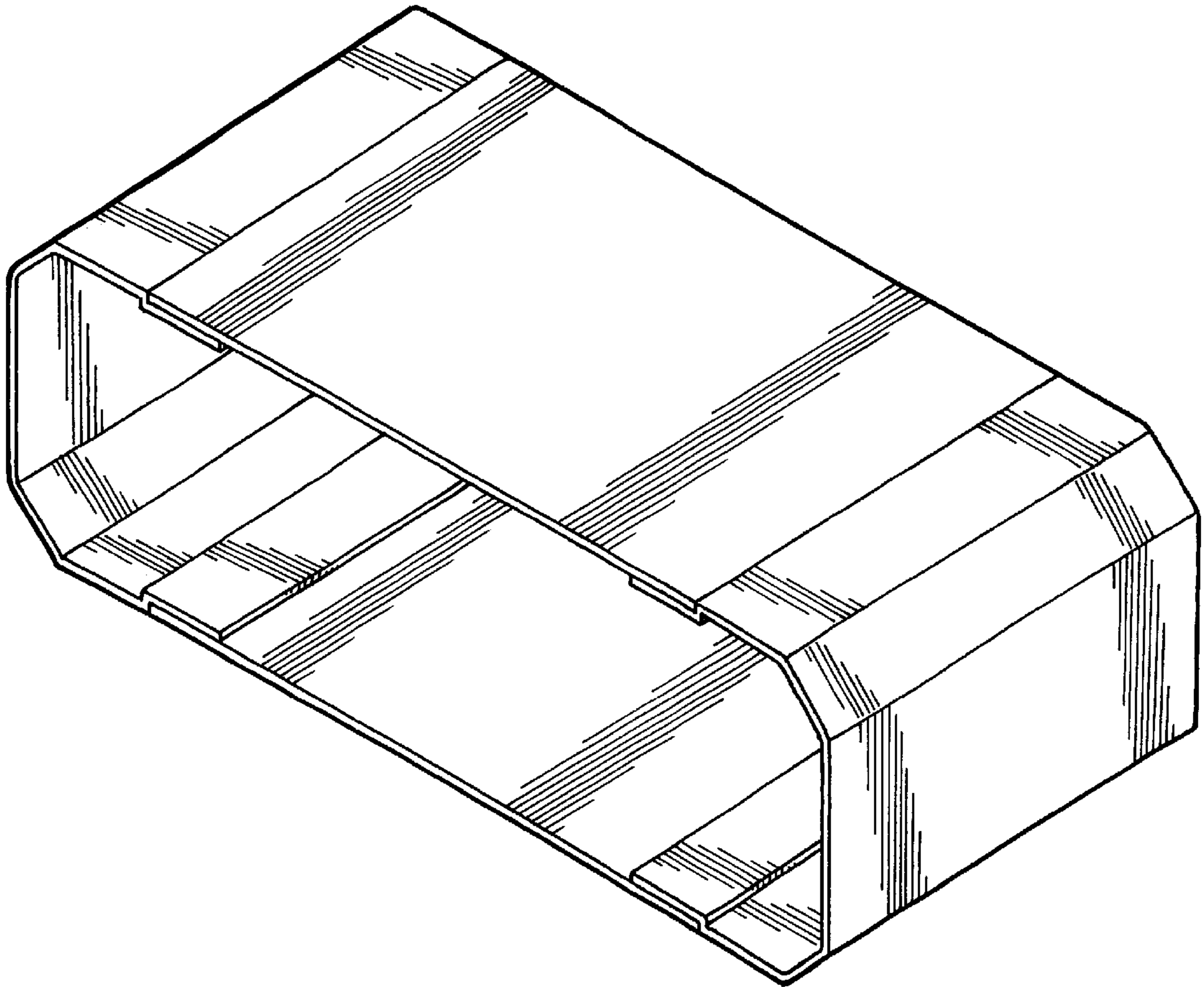
DESCRIPTION

FIG. 1 is a exploded view of a semi-octopost extrusion showing all of the elements used to form a post;

FIG. 2 is a front elevational view thereof when assembled; and,

FIG. 3 is a top, front and right side perspective view thereof in an assembled state.

1 Claim, 3 Drawing Sheets



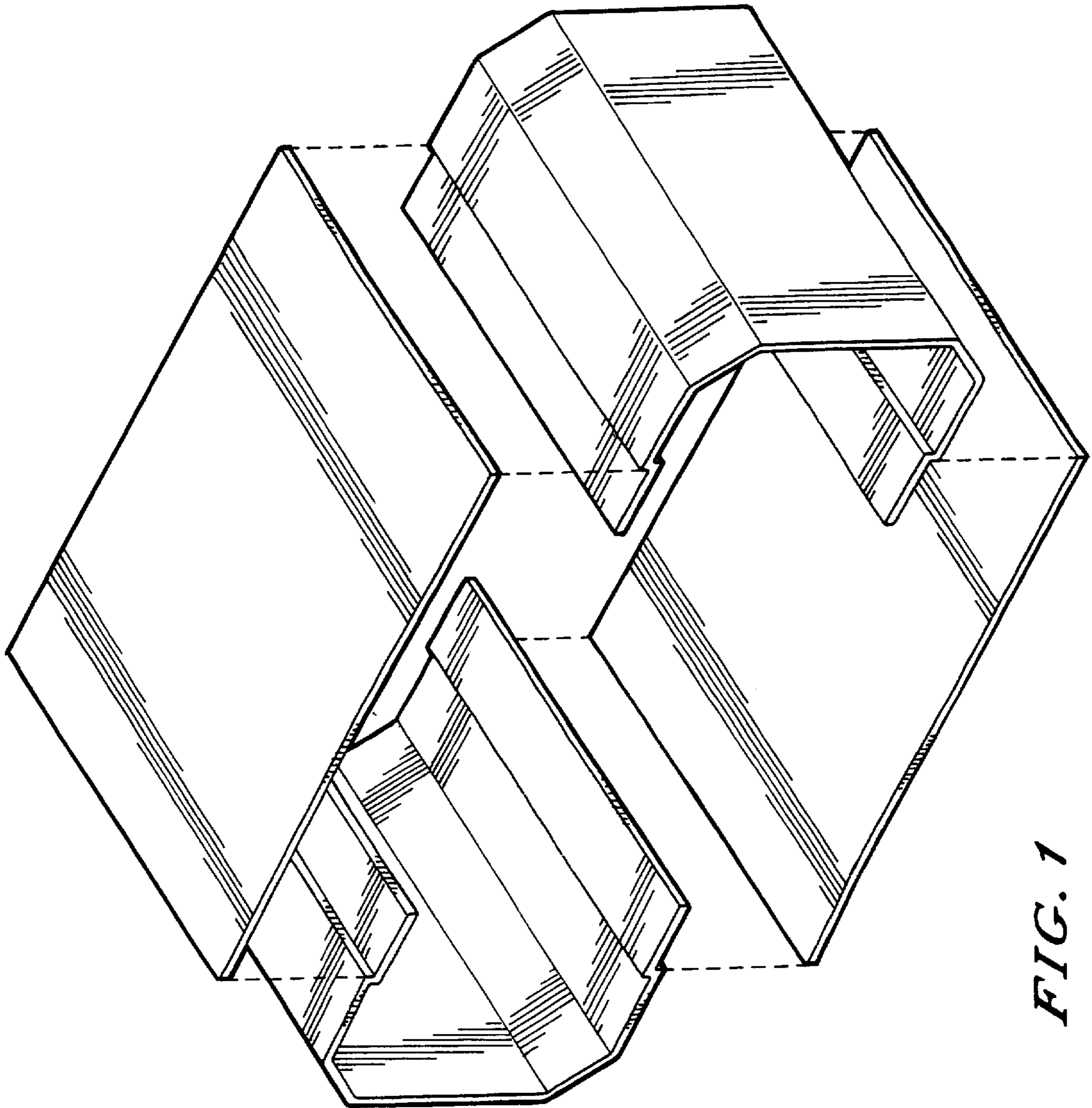


FIG. 1

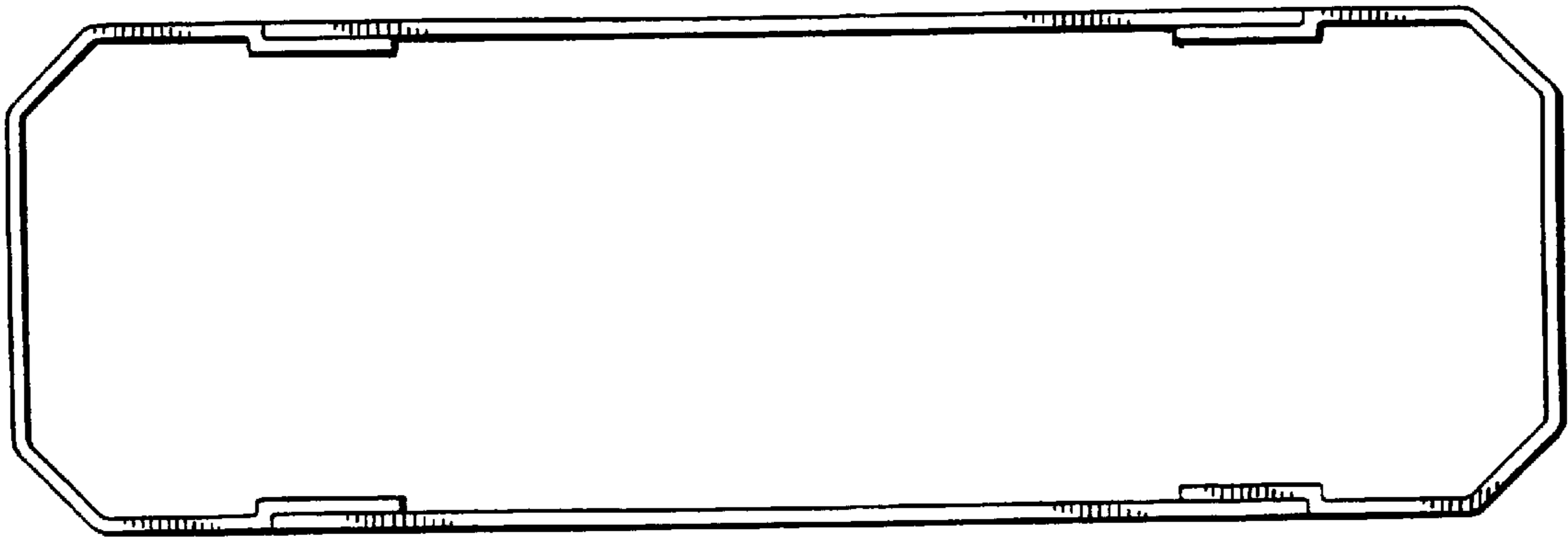


FIG. 2

