



US00D452911B1

(12) **United States Design Patent**
Danielsson

(10) **Patent No.:** **US D452,911 S**

(45) **Date of Patent:** **** Jan. 8, 2002**

(54) **RESPIRATORY FILTER**

(75) Inventor: **Curt Danielsson**, Knivsta (SE)

(73) Assignee: **Pharma Systems PS AB**, Knivsta (SE)

(**) Term: **14 Years**

(21) Appl. No.: **29/138,022**

(22) Filed: **Mar. 6, 2001**

(30) **Foreign Application Priority Data**

Sep. 7, 2000 (SE) 00-1609

(51) **LOC (7) Cl.** **29-02**

(52) **U.S. Cl.** **D24/110; D24/162**

(58) **Field of Search** D24/162, 110,
D24/110.6, 110.1, 110.4, 164; 55/DIG. 33,
DIG. 35, 521, DIG. 31; 128/205.29, 206.17,
205.27

(56) **References Cited**

U.S. PATENT DOCUMENTS

D253,721 S * 12/1979 Gibeck D24/164

D301,377 S * 5/1989 Lambert D24/164
4,976,857 A * 12/1990 Solomon 55/521
5,240,479 A * 8/1993 Bachinski 128/206.17
5,320,096 A * 6/1994 Hans 128/205.29

* cited by examiner

Primary Examiner—Ian Simmons

(74) *Attorney, Agent, or Firm*—Burns, Doane, Swecker & Mathis, L.L.P.

(57) **CLAIM**

The ornamental design for a respiratory filter, as shown and described.

DESCRIPTION

FIG. 1 is a rear, bottom, right side perspective view of a respiratory filter showing my new design; and,

FIG. 2 is a front, top, left side perspective view thereof.

1 Claim, 1 Drawing Sheet

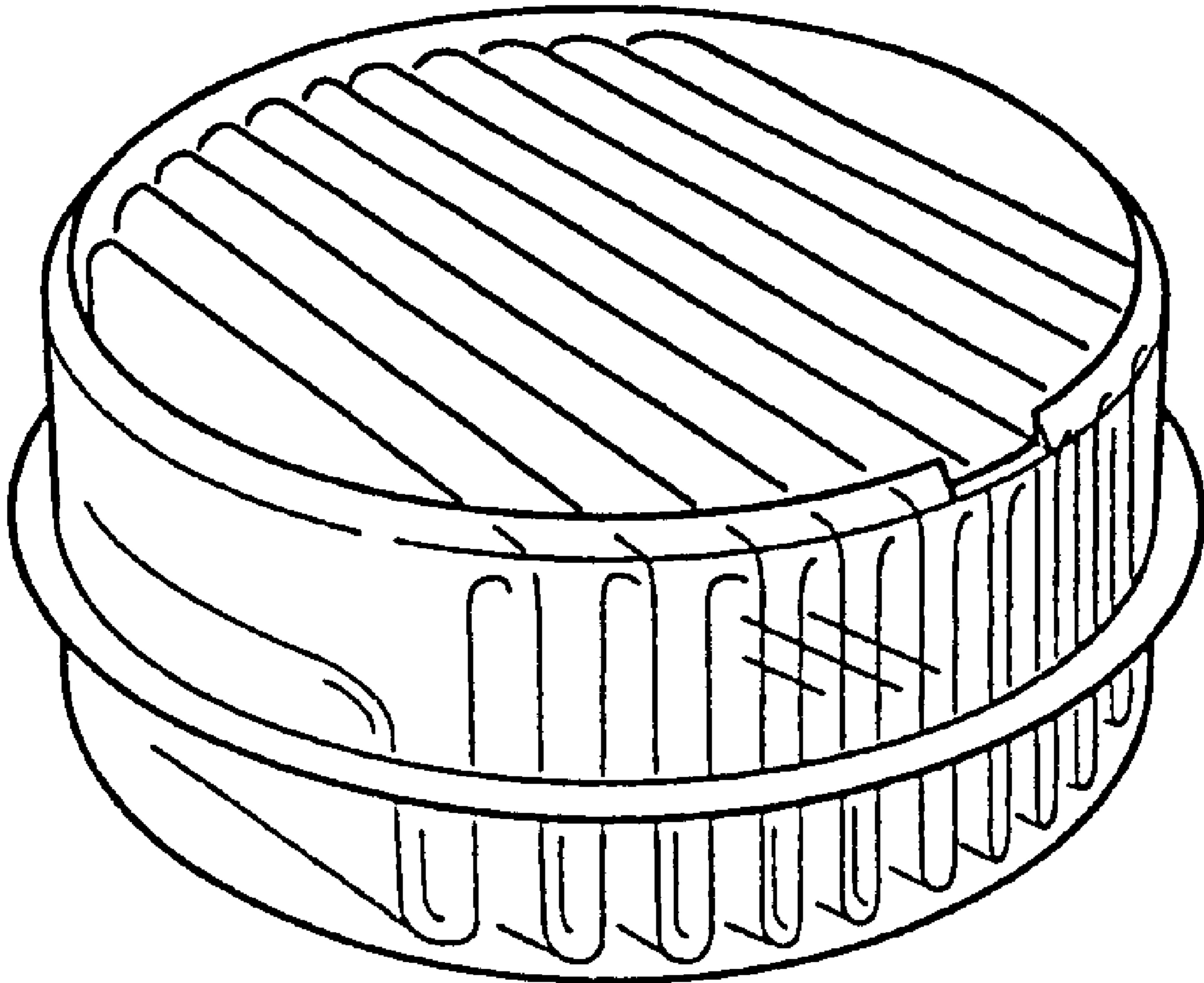


FIG 1

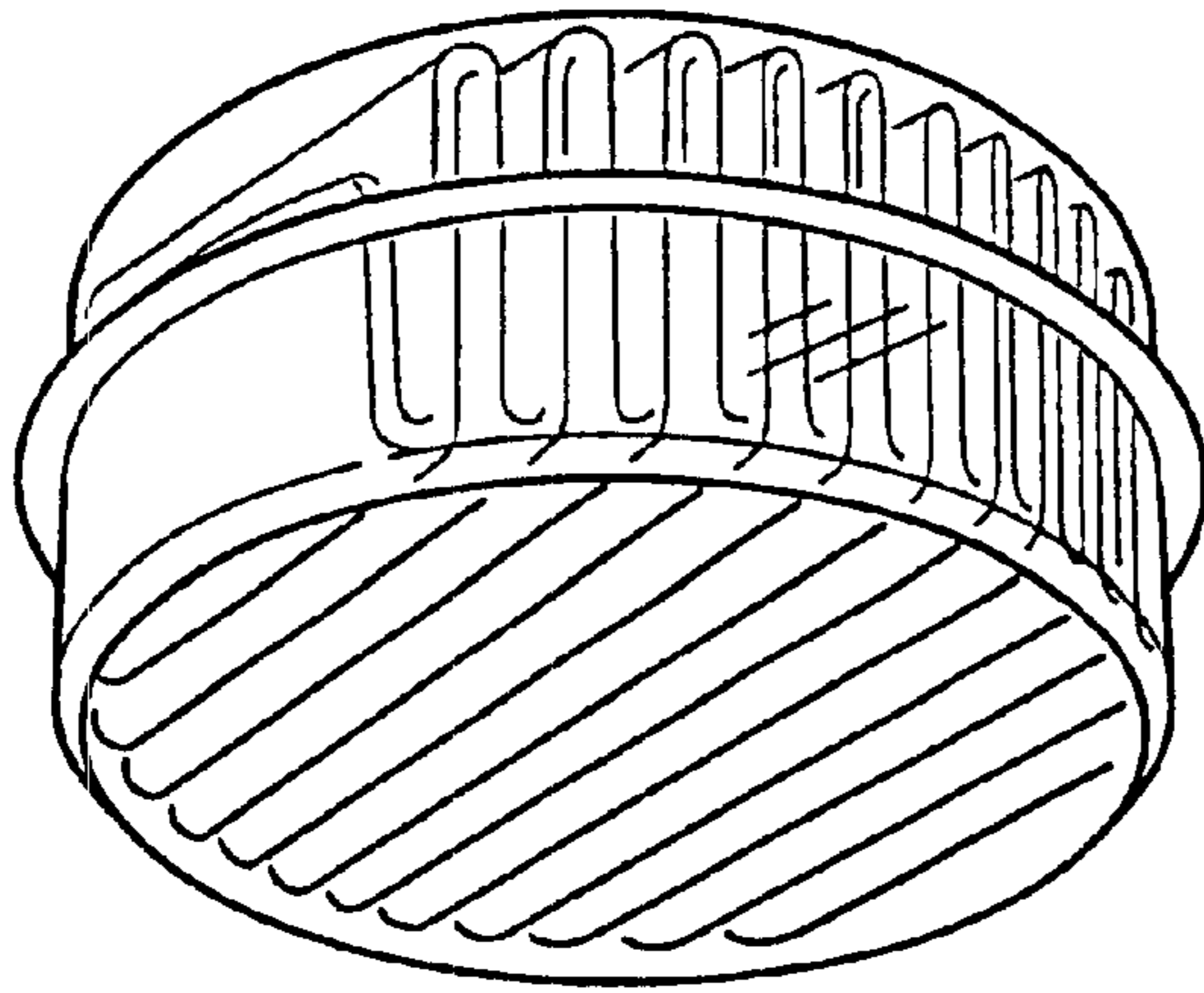


FIG 2

