



US00D452910B1

(12) **United States Design Patent**
Braithwaite et al.

(10) **Patent No.:** **US D452,910 S**

(45) **Date of Patent:** **** Jan. 8, 2002**

(54) **INHALER**

D395,499 S * 6/1998 Eisele et al. D24/110

(75) Inventors: **Philip Wilson Braithwaite**,
Gloucestershire; **Steven Graham Williams**,
Worcester, both of (GB)

* cited by examiner

Primary Examiner—Ian Simmons
(74) *Attorney, Agent, or Firm*—Salter & Michaelson

(73) Assignee: **Innovata Biomed Limited**, St. Albans
(GB)

(57) **CLAIM**

(**) Term: **14 Years**

The ornamental design for an inhaler, as shown and described.

(21) Appl. No.: **29/134,783**

DESCRIPTION

(22) Filed: **Dec. 29, 2000**

FIG. 1 is a perspective view of an inhaler in a closed position;

(30) **Foreign Application Priority Data**

Jun. 29, 2000 (GB) 2093859

FIG. 2 is a top plan view thereof;

(51) **LOC (7) Cl.** **29-02**

FIG. 3 is a bottom plan view thereof;

(52) **U.S. Cl.** **D24/110**

FIG. 4 is a right side elevational view thereof;

(58) **Field of Search** D24/110; 128/203.15,
128/203.13, 200.21, 205.13, 200.14, 200.23

FIG. 5 is a left side elevational view thereof;

FIG. 6 is a top plan elevational view thereof;

FIG. 7 is a bottom plan elevational view thereof;

FIG. 8 is a perspective view showing the cover in an open position;

(56) **References Cited**

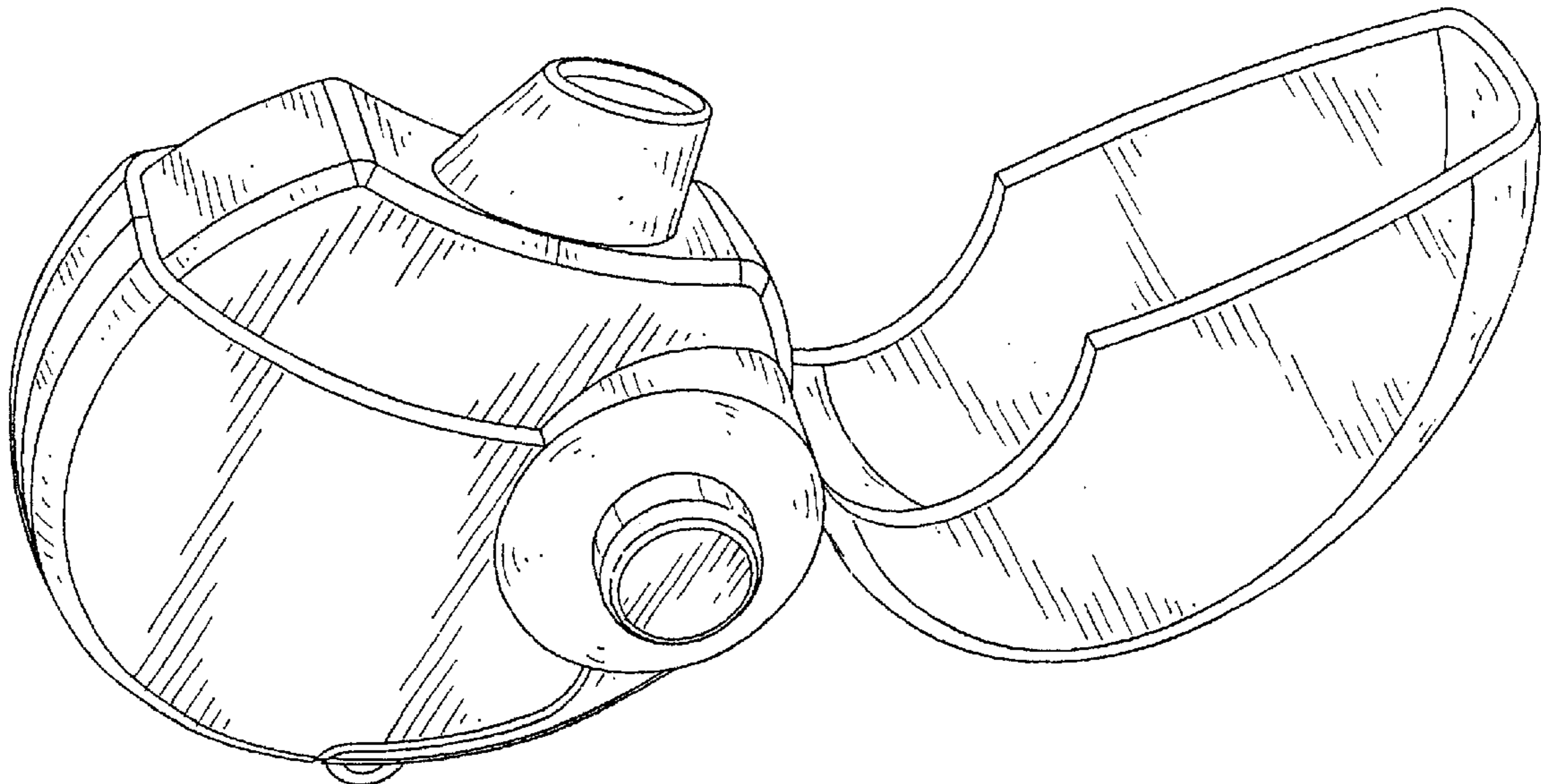
U.S. PATENT DOCUMENTS

- D189,076 S * 10/1960 Altman D24/110
- D342,994 S * 1/1994 Rand et al. D24/110
- D355,029 S * 1/1995 Kinneir et al. D24/110

FIG. 9 is a front elevational view showing the cover in an open position; and,

FIG. 10 is a top elevational view showing the cover in an open position.

1 Claim, 5 Drawing Sheets



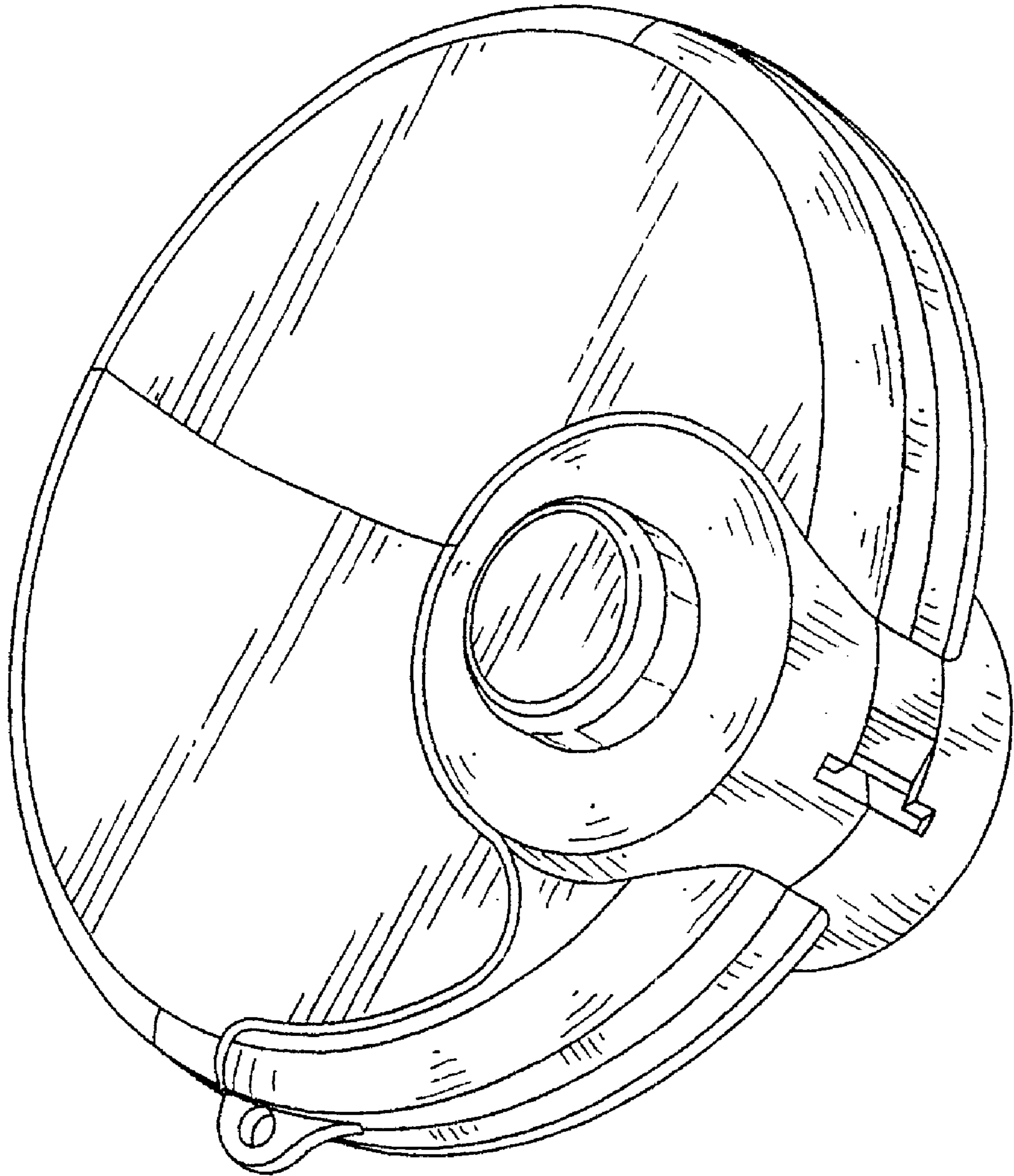


FIG. 1

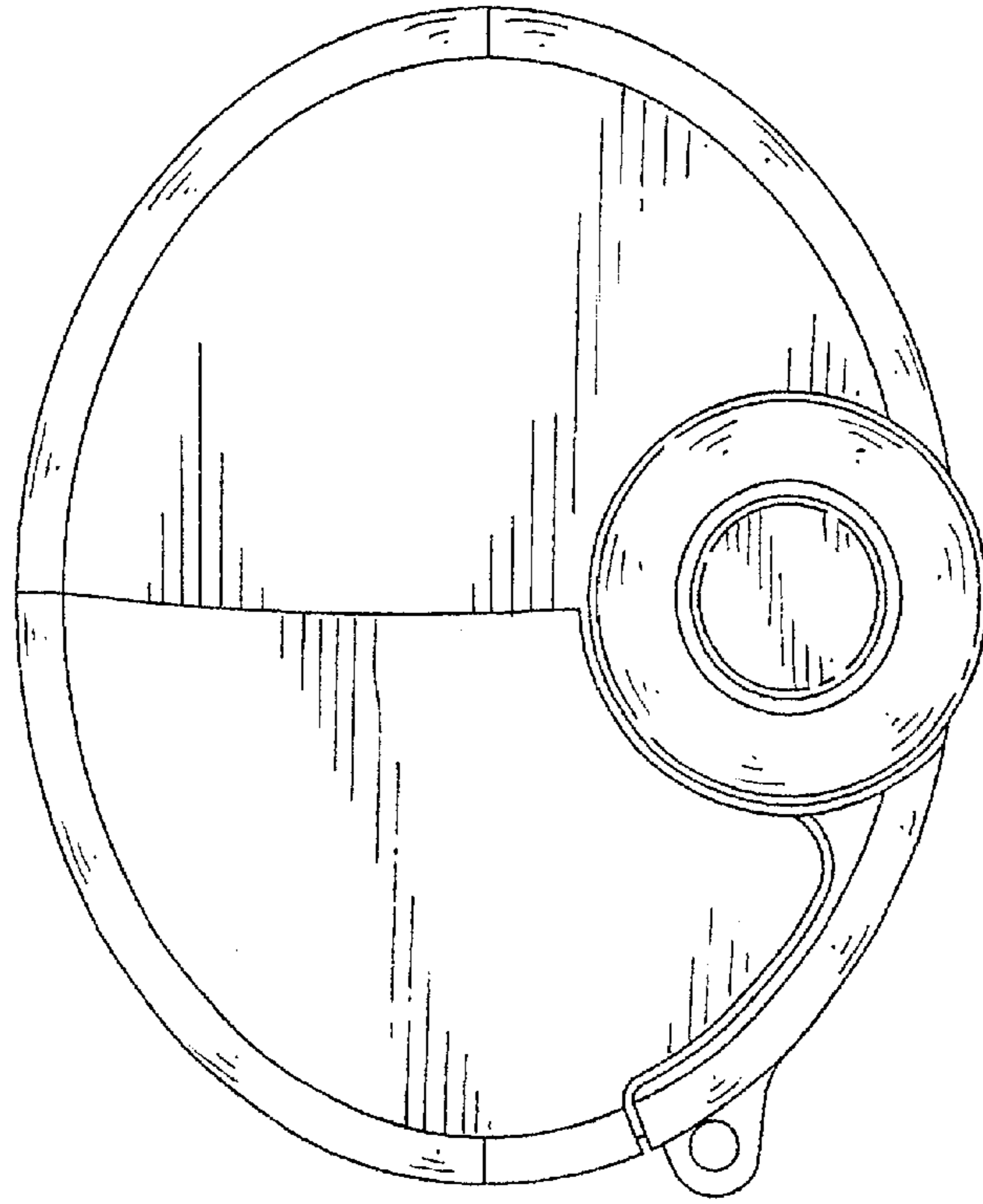


FIG. 2

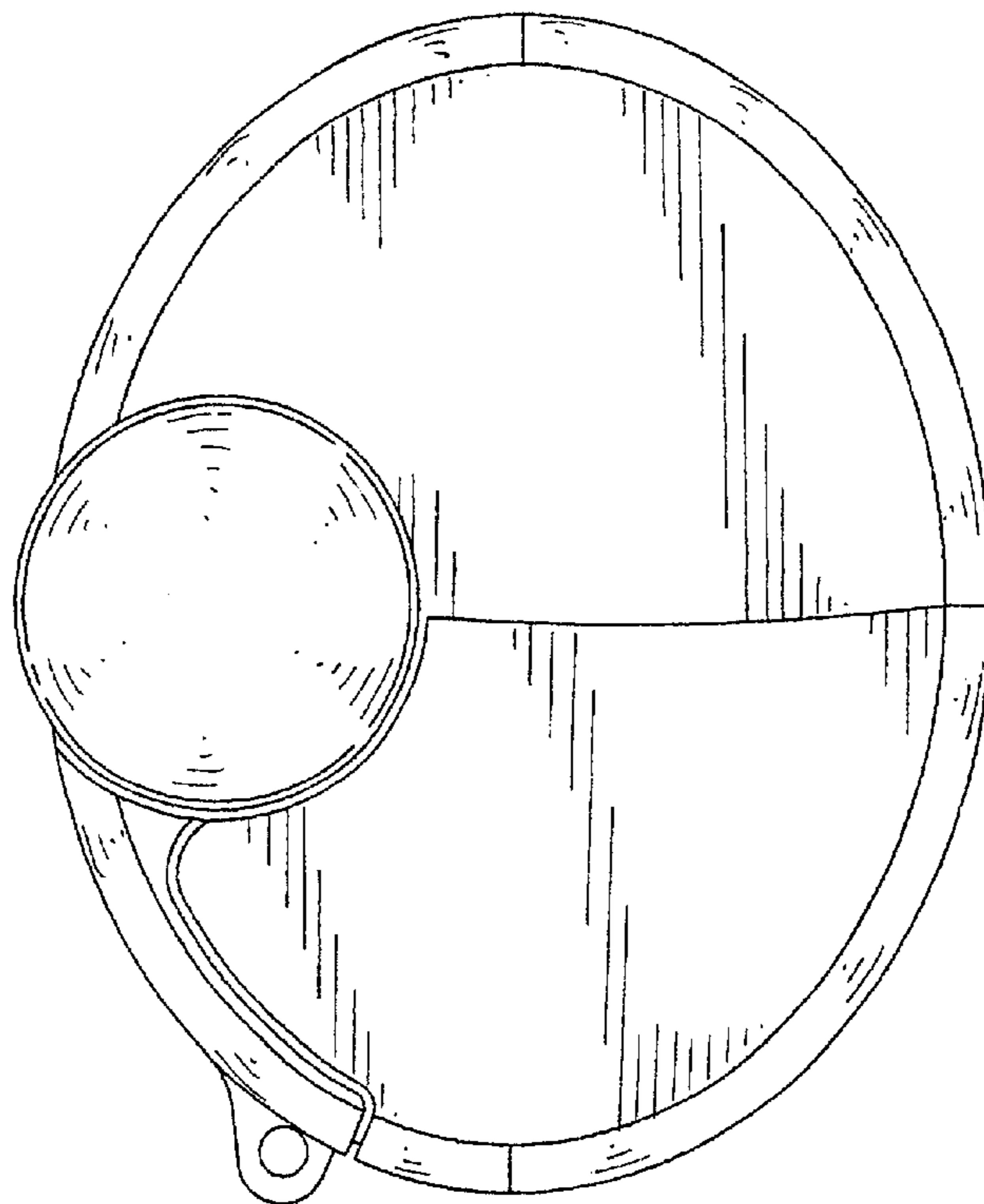


FIG. 3

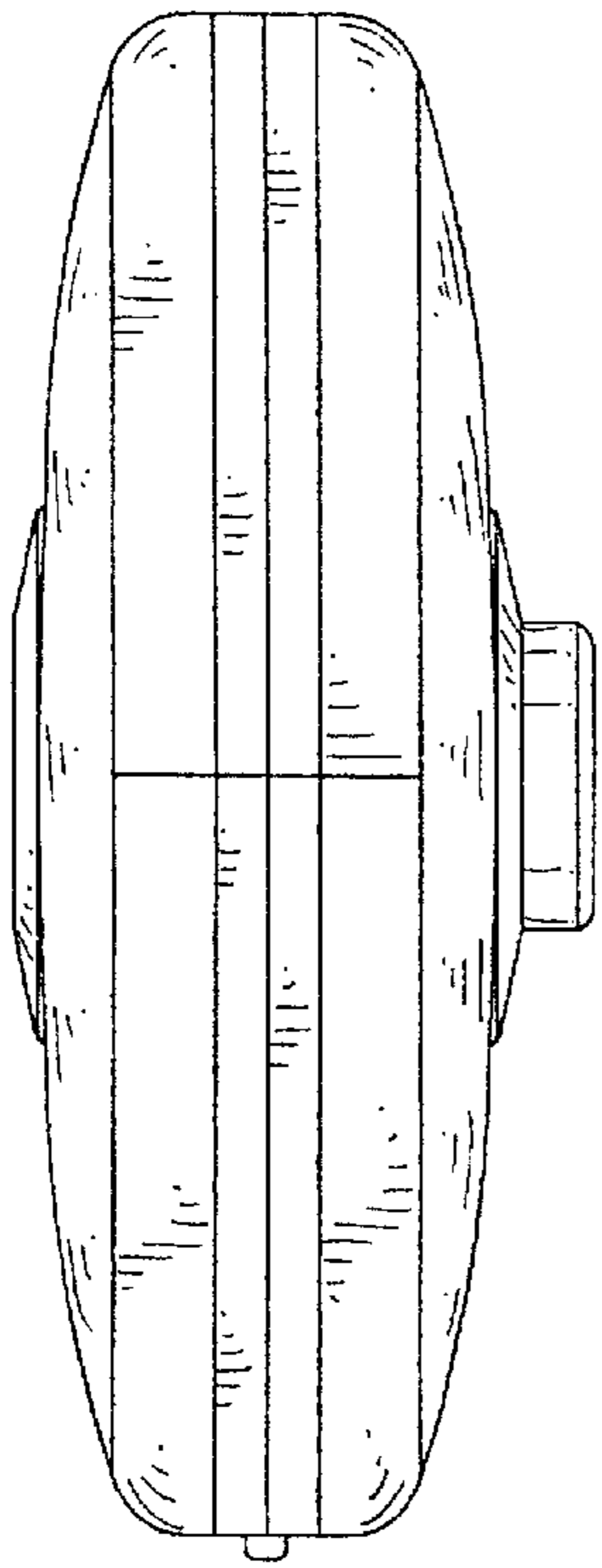


FIG. 4

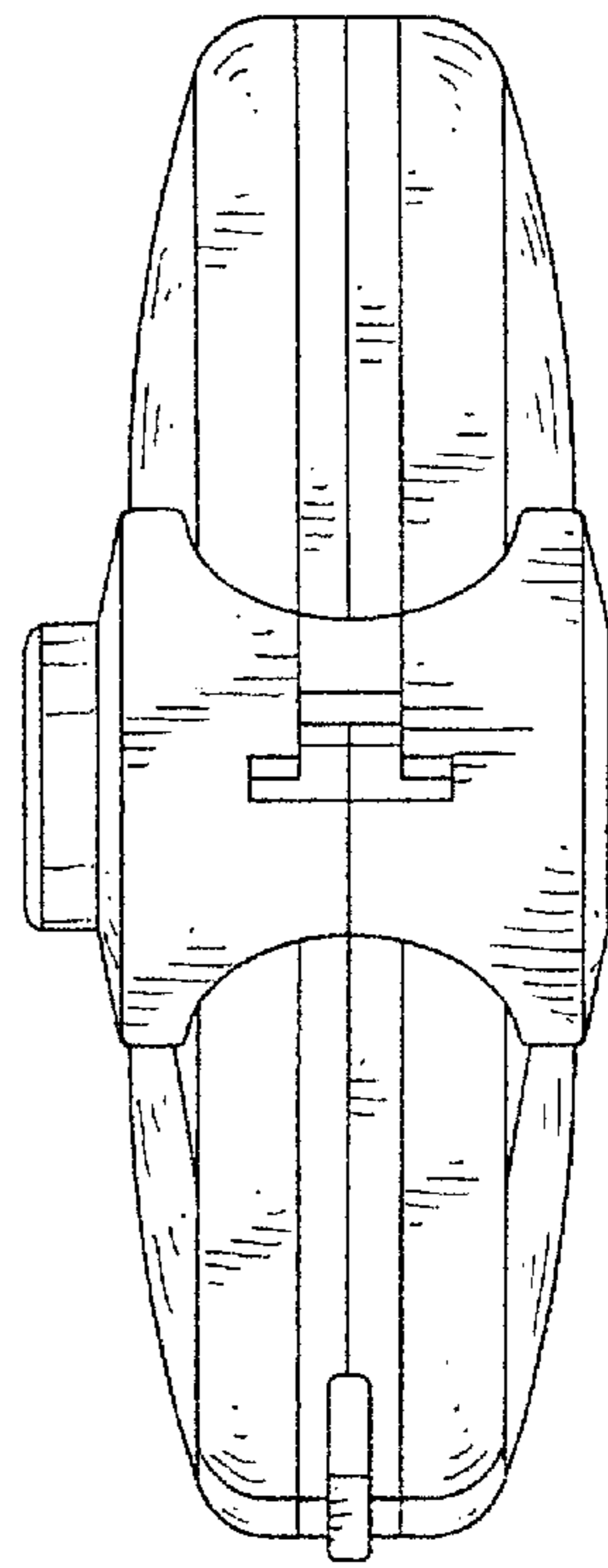


FIG. 5

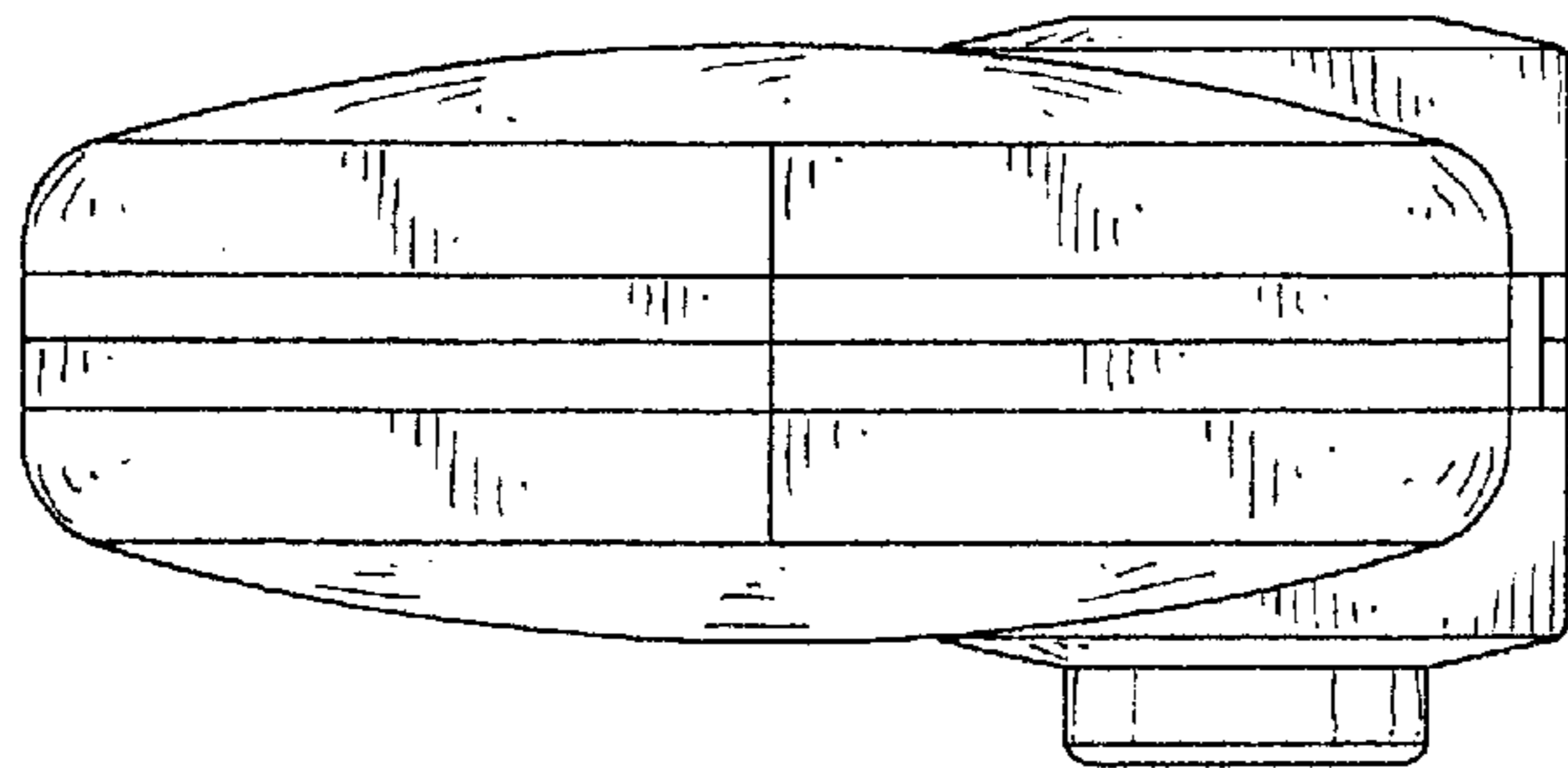


FIG. 6

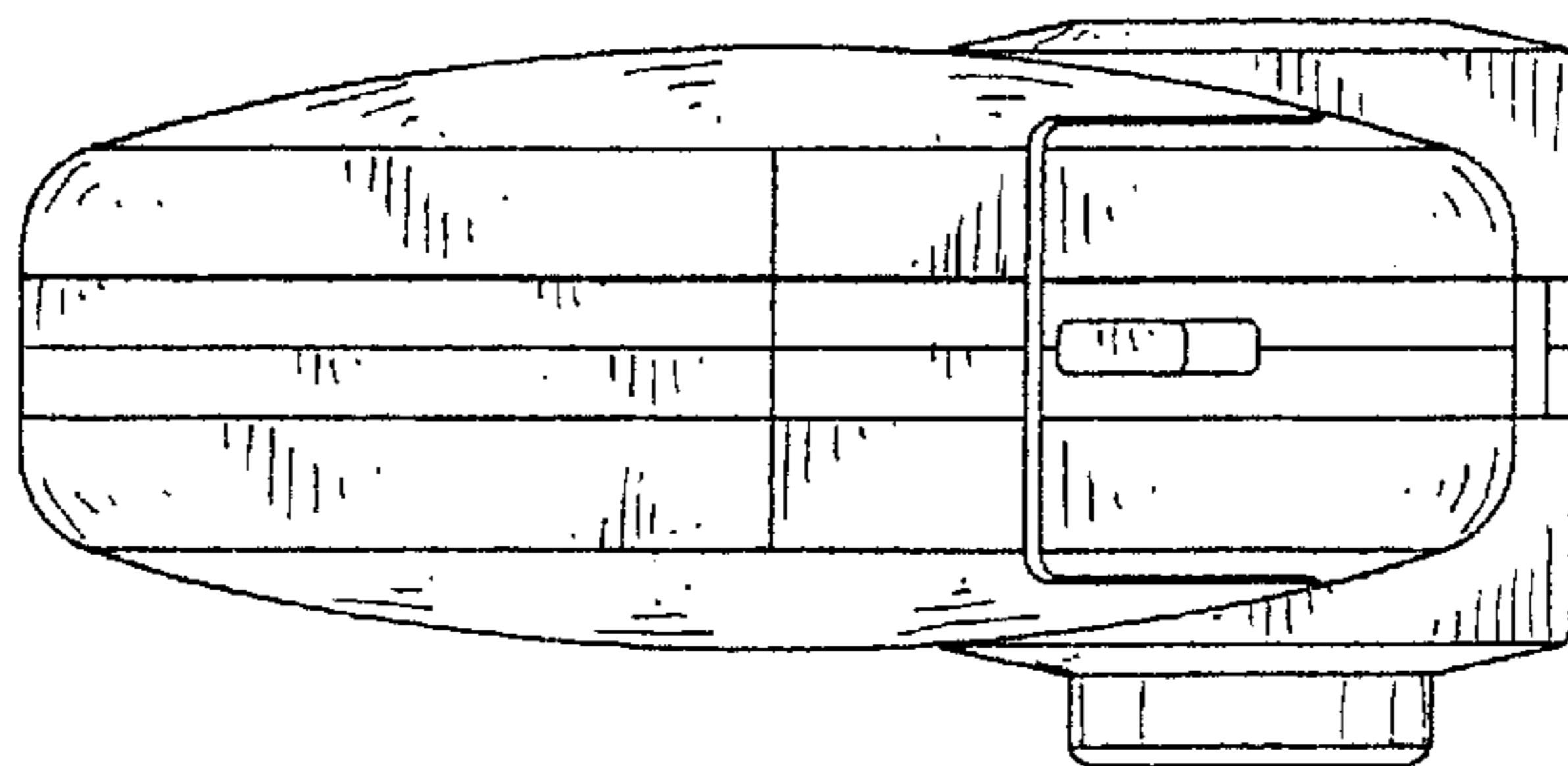


FIG. 7

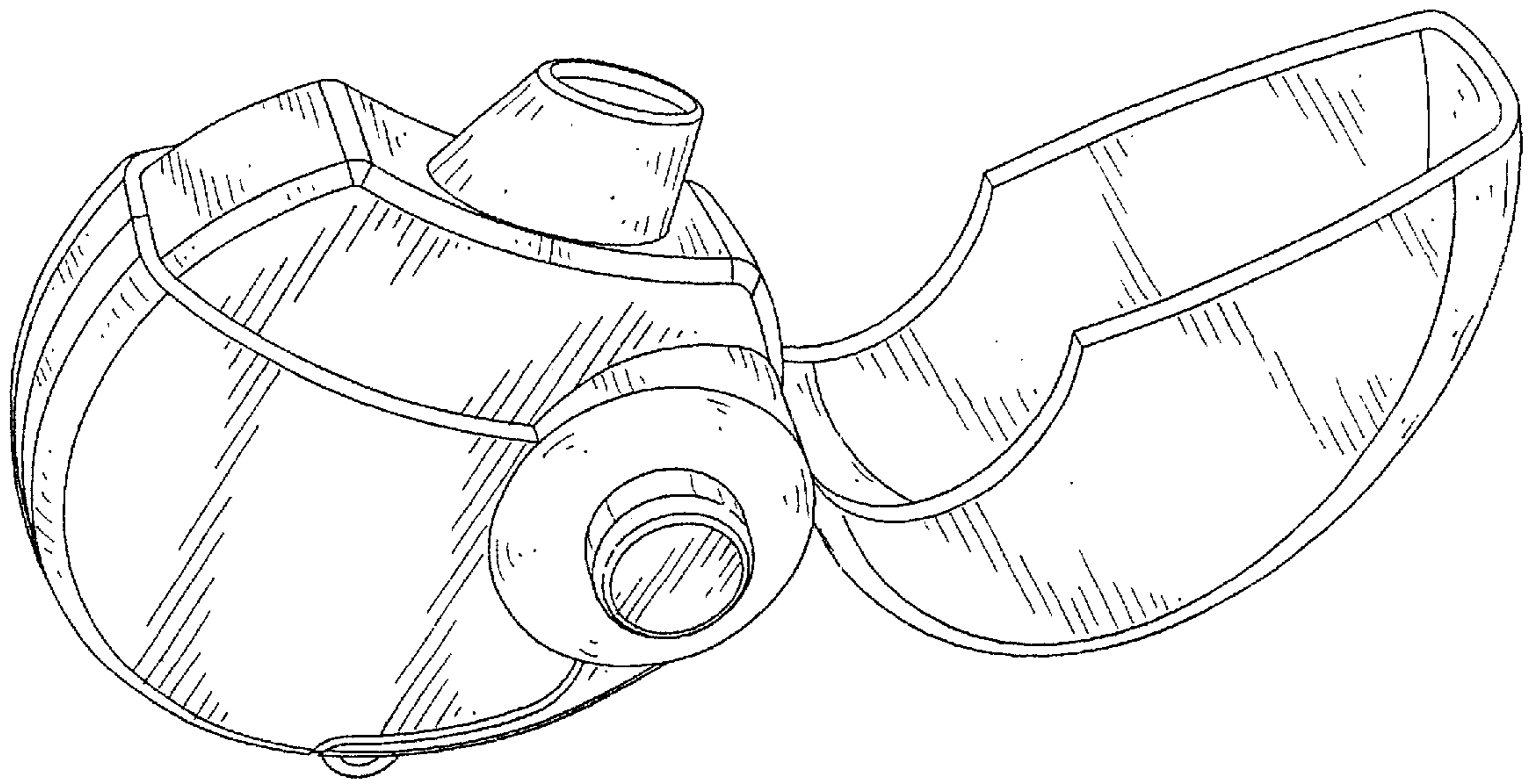


FIG. 8

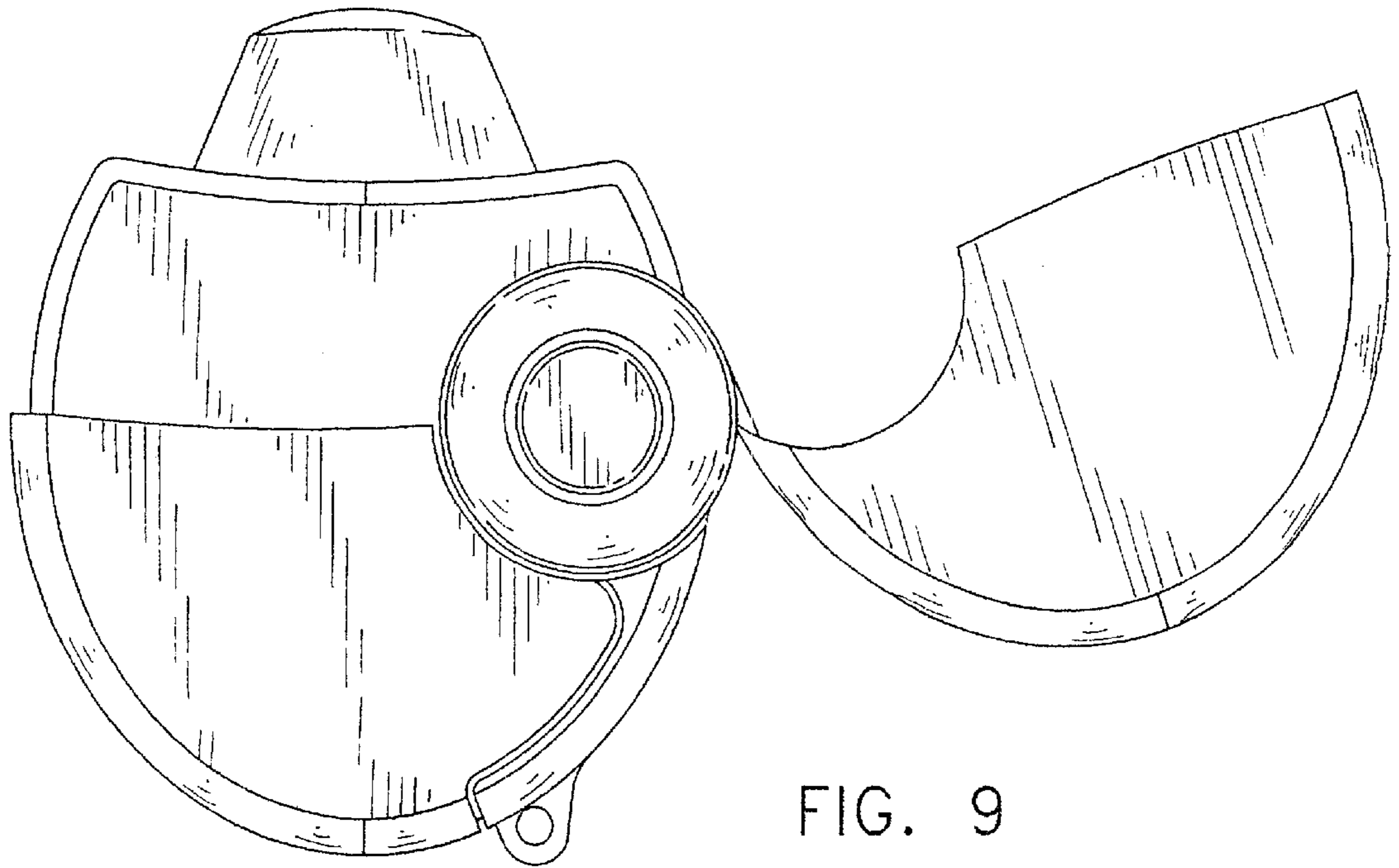


FIG. 9

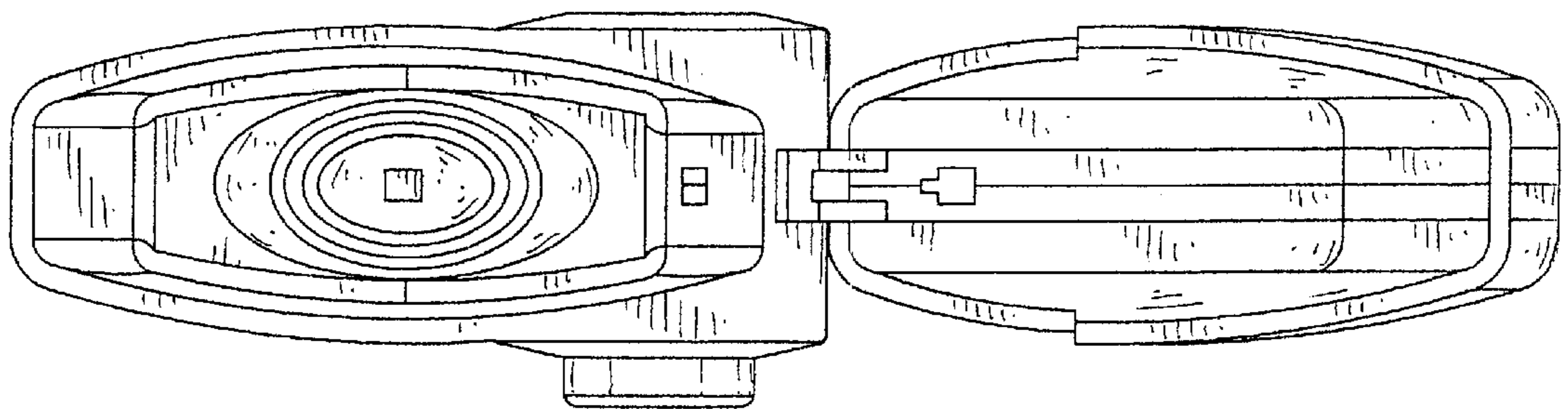


FIG. 10