



US00D452908B1

(12) **United States Design Patent**  
**Dolan**

(10) **Patent No.:** **US D452,908 S**  
(45) **Date of Patent:** **\*\* Jan. 8, 2002**

(54) **COMBINED CEILING FAN MOTOR HOUSING AND LIGHT FIXTURE UNIT**

*Primary Examiner—Lisa Lichtenstein*

(76) Inventor: **Patrick S. Dolan**, 1901 NW. Upshur St., Portland, OR (US) 97209

(57) **CLAIM**

The ornamental design for a combined ceiling fan motor housing and light fixture unit, as shown and described.

(\*\*) Term: **14 Years**

(21) Appl. No.: **29/134,728**

**DESCRIPTION**

(22) Filed: **Dec. 27, 2000**

(51) **LOC (7) Cl.** ..... **23-04**

(52) **U.S. Cl.** ..... **D23/411; D23/377; D26/59**

(58) **Field of Search** ..... **D23/411, 377, D23/379, 385; 411/5; D26/81-86, 88, 72, 59, 57; 392/364; 362/96**

FIG. 1 is a perspective view of a combined ceiling fan motor housing and light fixture unit showing my new design;

FIG. 2 is a front elevational view thereof;

FIG. 3 is a right side view, the left side view being a mirror image;

(56) **References Cited**

**U.S. PATENT DOCUMENTS**

D352,997 S \* 11/1994 Dipasquale ..... D23/377

D367,321 S \* 2/1996 Holbrook ..... D23/411

FIG. 4 is a top plan view thereof; and,

FIG. 5 is a bottom plan view thereof.

**OTHER PUBLICATIONS**

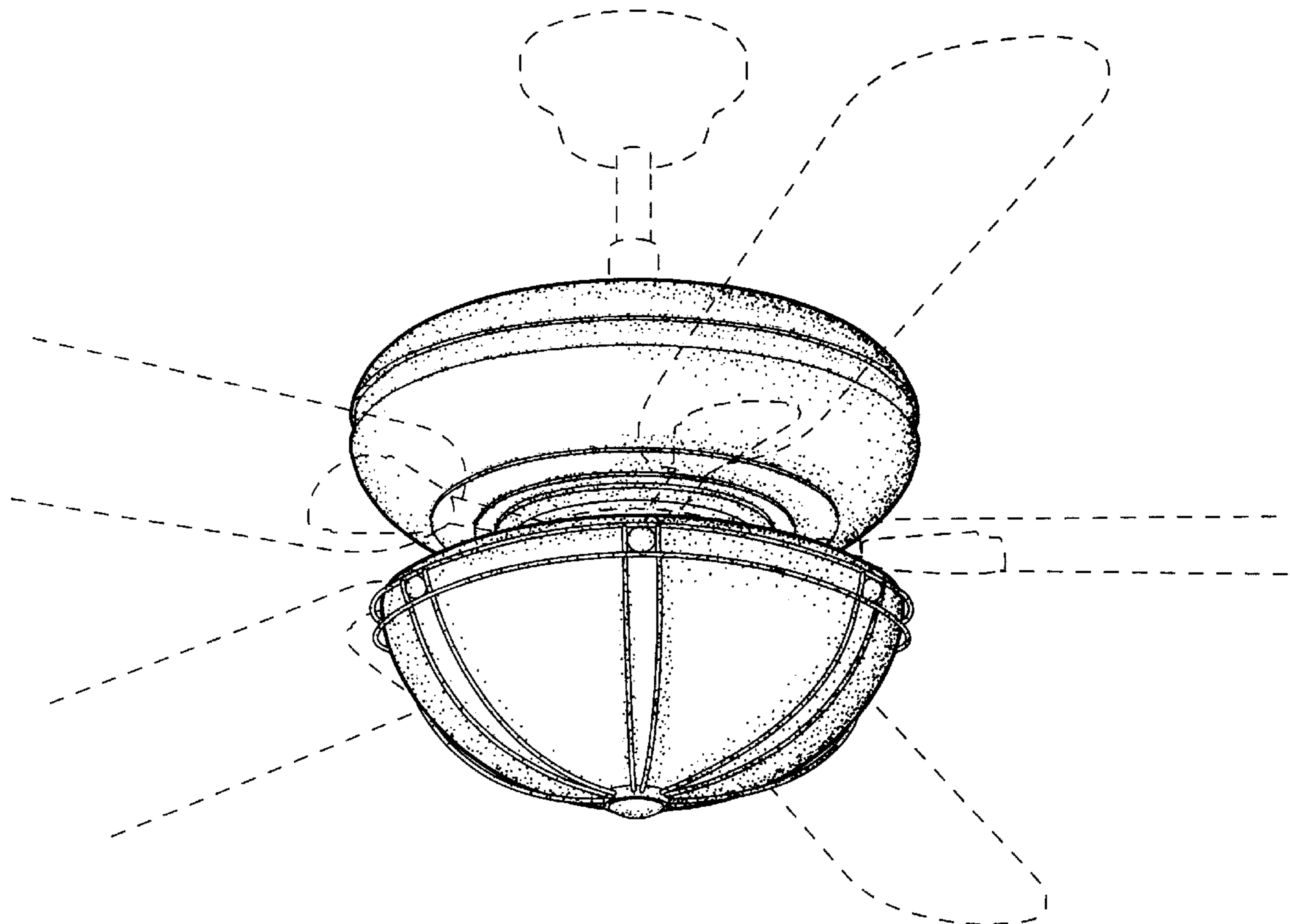
Monte Carlo Fan Co., Fort Worth, TX, Nov. 1997 No Page Given Model MC170C.

Craftmade, Grand Prairie, TX, Cat. 1994 p. 18 Model C52CG.

The broken line showing of environmental structure in FIGS. 1-5 is for illustrative purposes only and forms no part of the claimed design.

\* cited by examiner

**1 Claim, 5 Drawing Sheets**



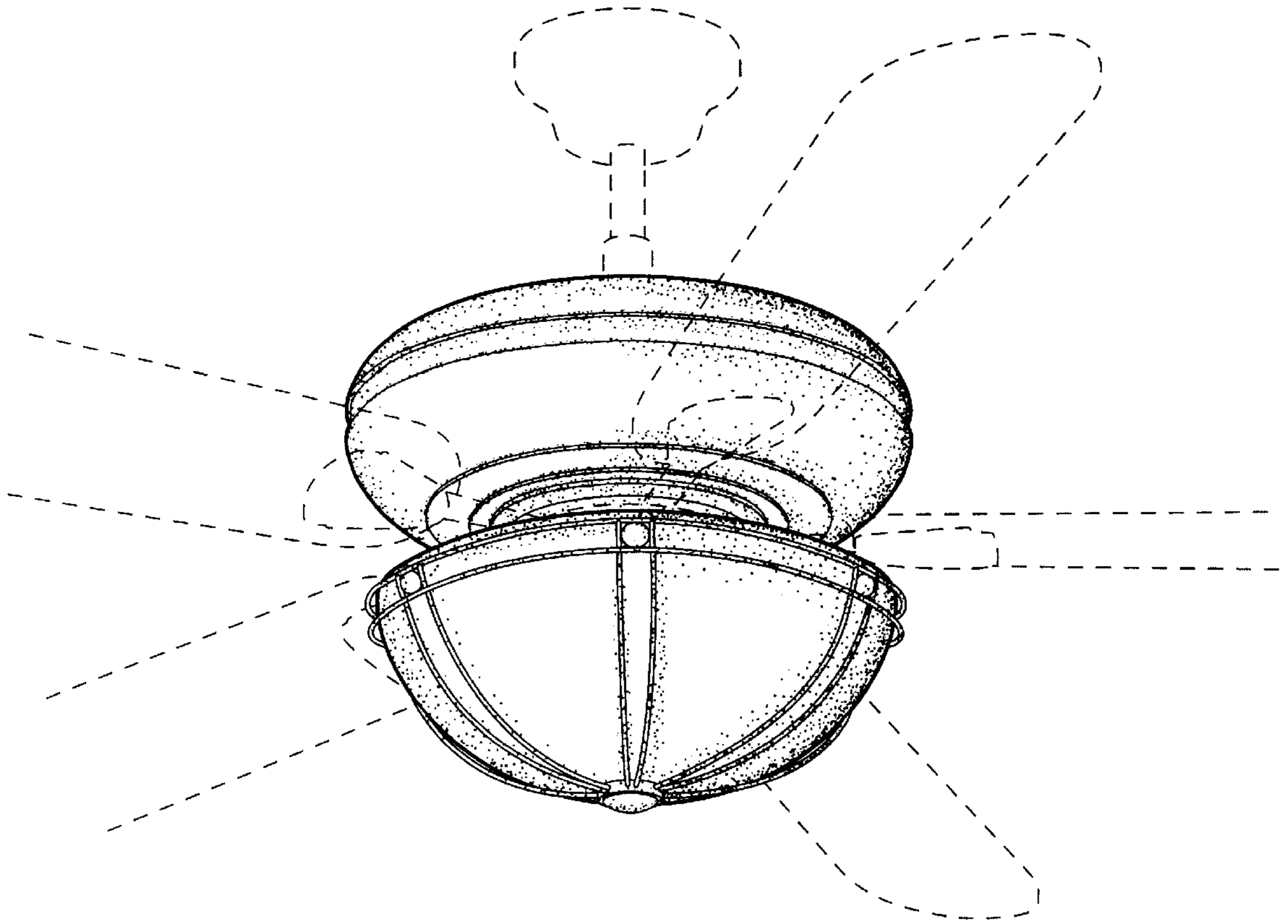


FIG. 1

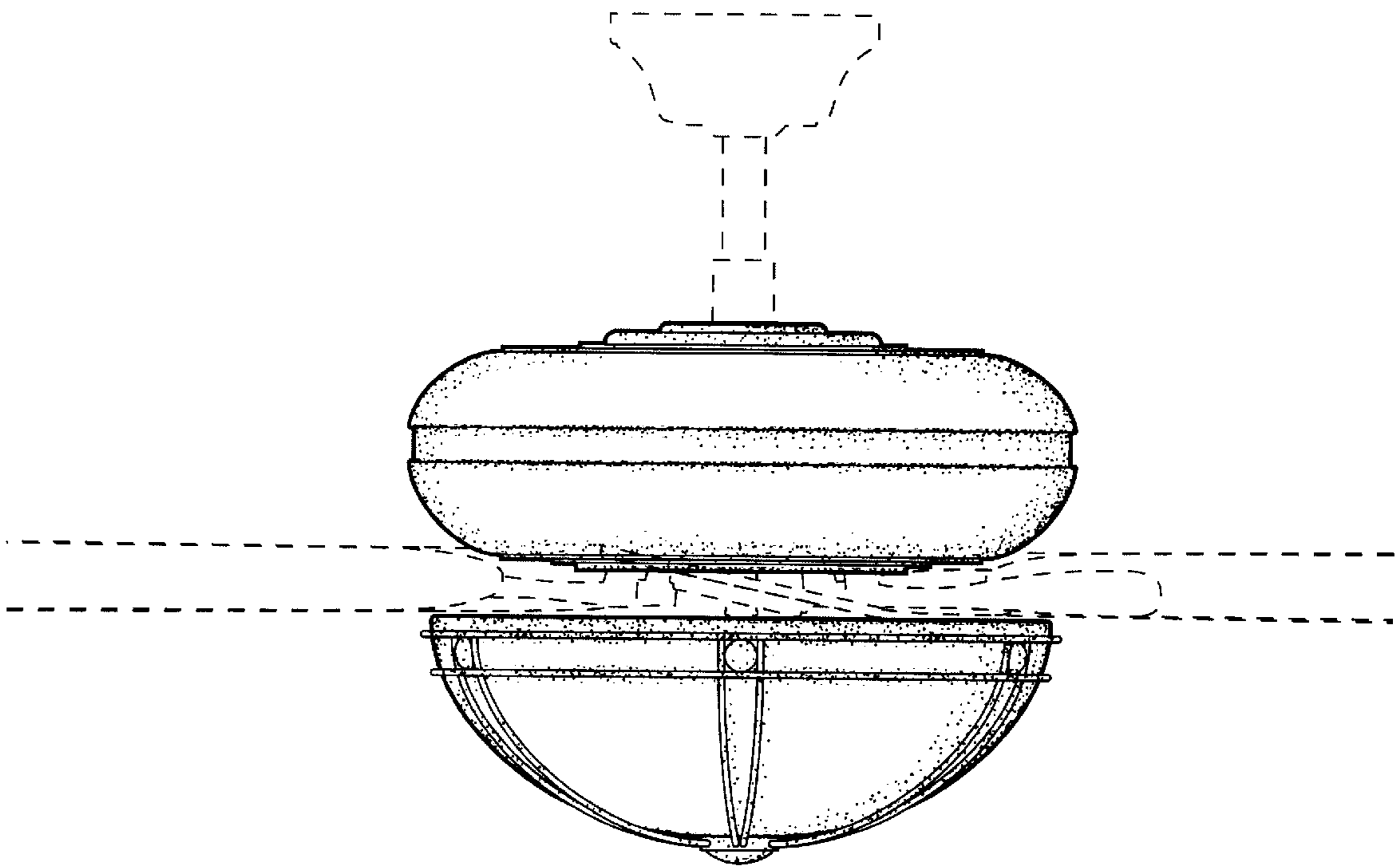


FIG. 2

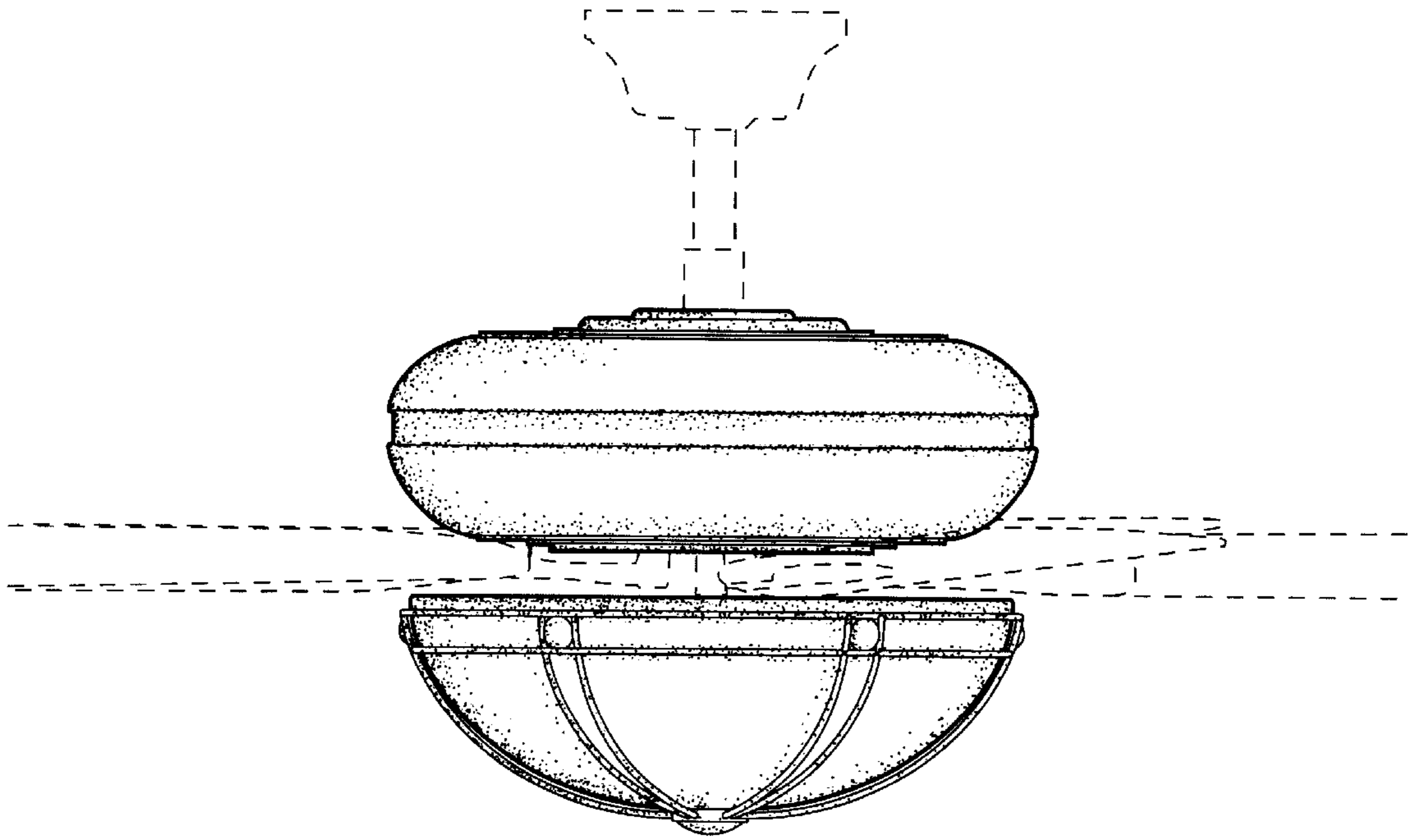


FIG. 3

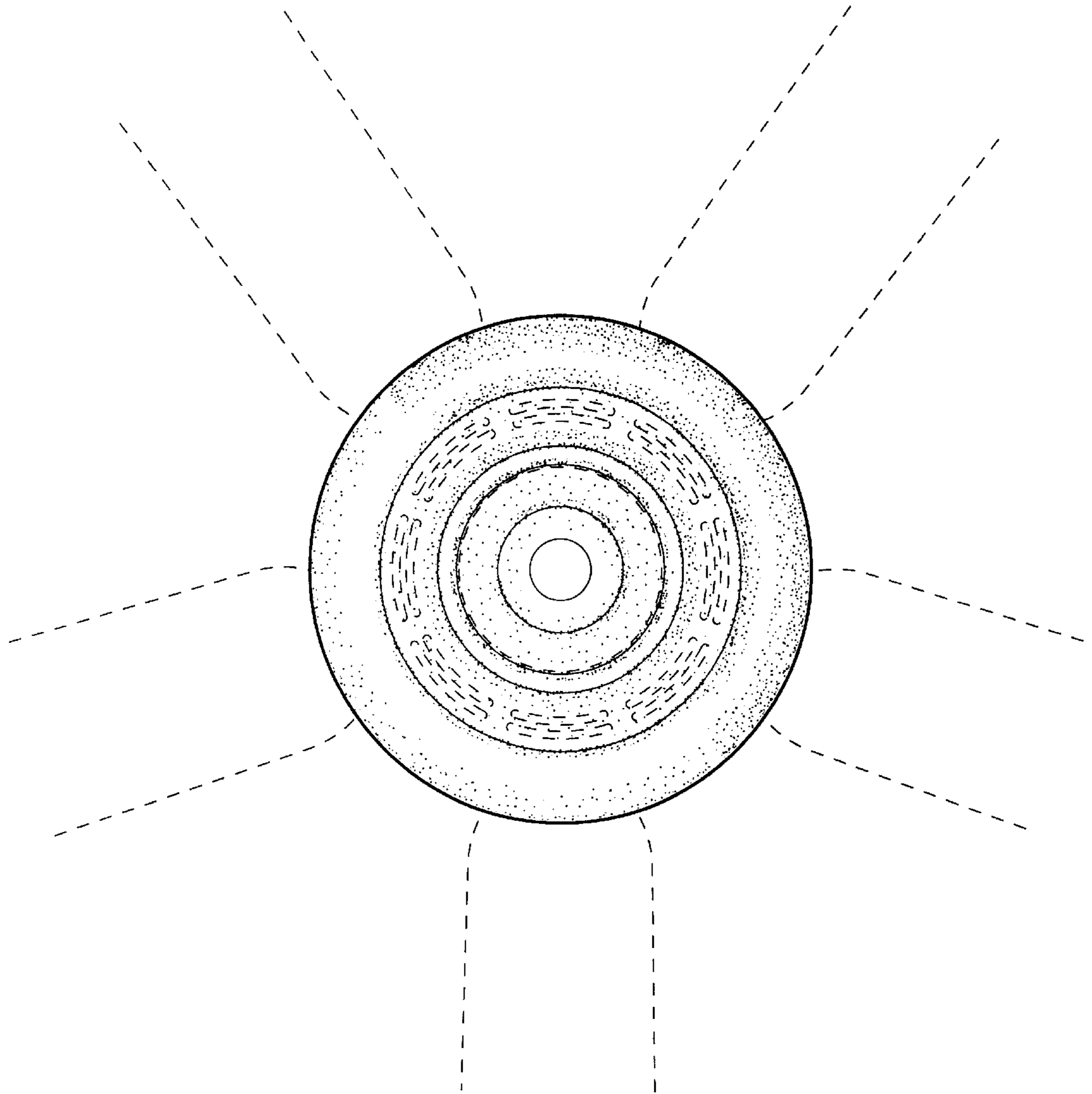


FIG. 4

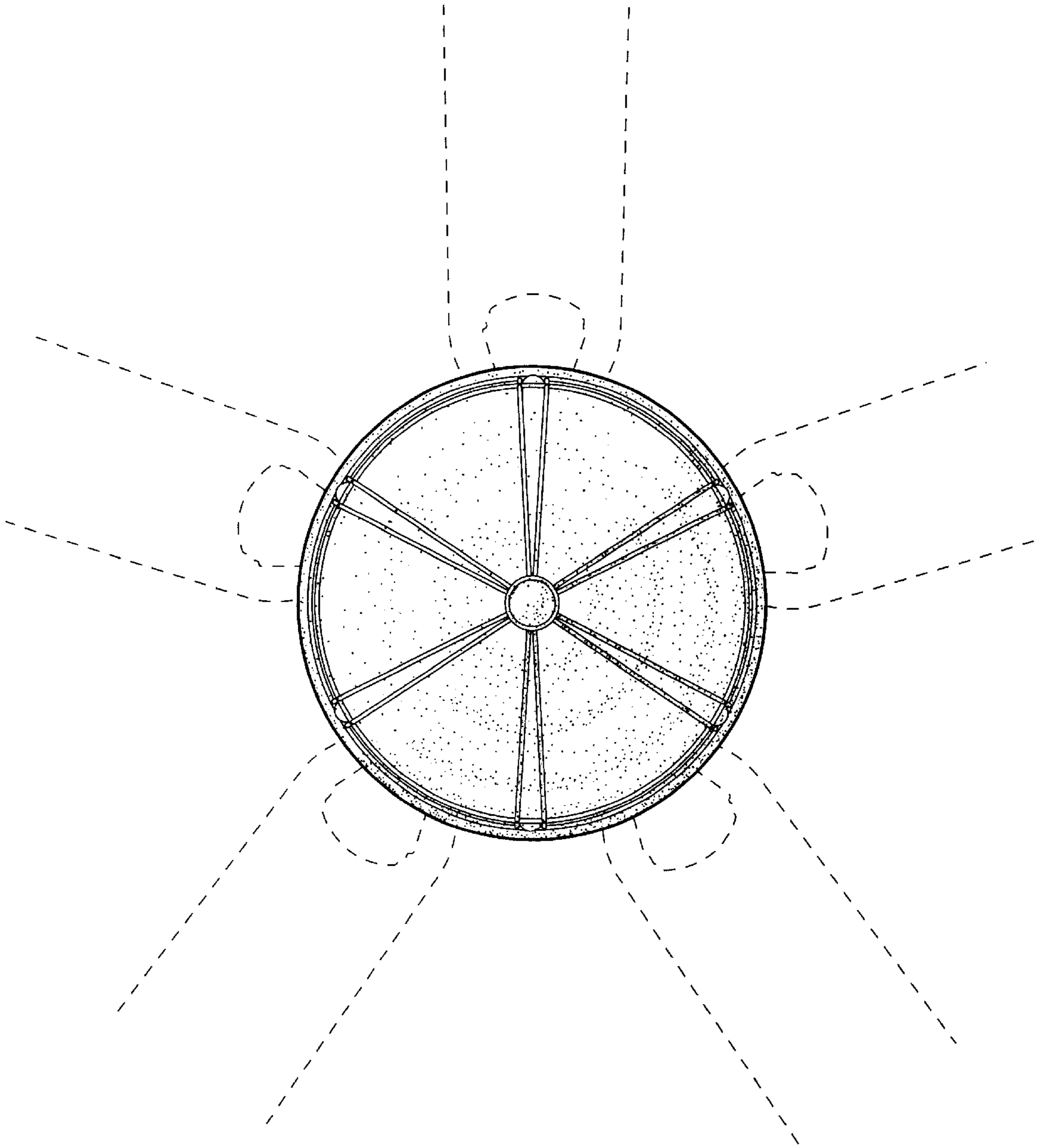


FIG. 5