



US00D452904B1

(12) **United States Design Patent**
Peng

(10) **Patent No.:** **US D452,904 S**

(45) **Date of Patent:** **** Jan. 8, 2002**

(54) **VENTILATOR FACE PANEL**

(75) Inventor: **Wei-Chun Peng**, Taoyuan Hsien (TW)

(73) Assignee: **Enlight Corporation** (TW)

(**) Term: **14 Years**

(21) Appl. No.: **29/142,018**

(22) Filed: **May 18, 2001**

(51) **LOC (7) Cl.** **23-04**

(52) **U.S. Cl.** **D23/370**

(58) **Field of Search** D23/370, 393;
454/276

(56) **References Cited**

U.S. PATENT DOCUMENTS

4,676,145 A * 6/1987 Allred 454/267

D420,118 S * 2/2000 Radko et al. D23/370

* cited by examiner

Primary Examiner—Lisa Lichtenstein

(74) *Attorney, Agent, or Firm*—Troxell Law Office PLLC

(57) **CLAIM**

The ornamental design for a ventilator face panel, as shown.

DESCRIPTION

FIG. 1 is a front perspective view of a ventilator face panel showing my new design;

FIG. 2 is a front elevational view thereof;

FIG. 3 is a rear elevational view thereof;

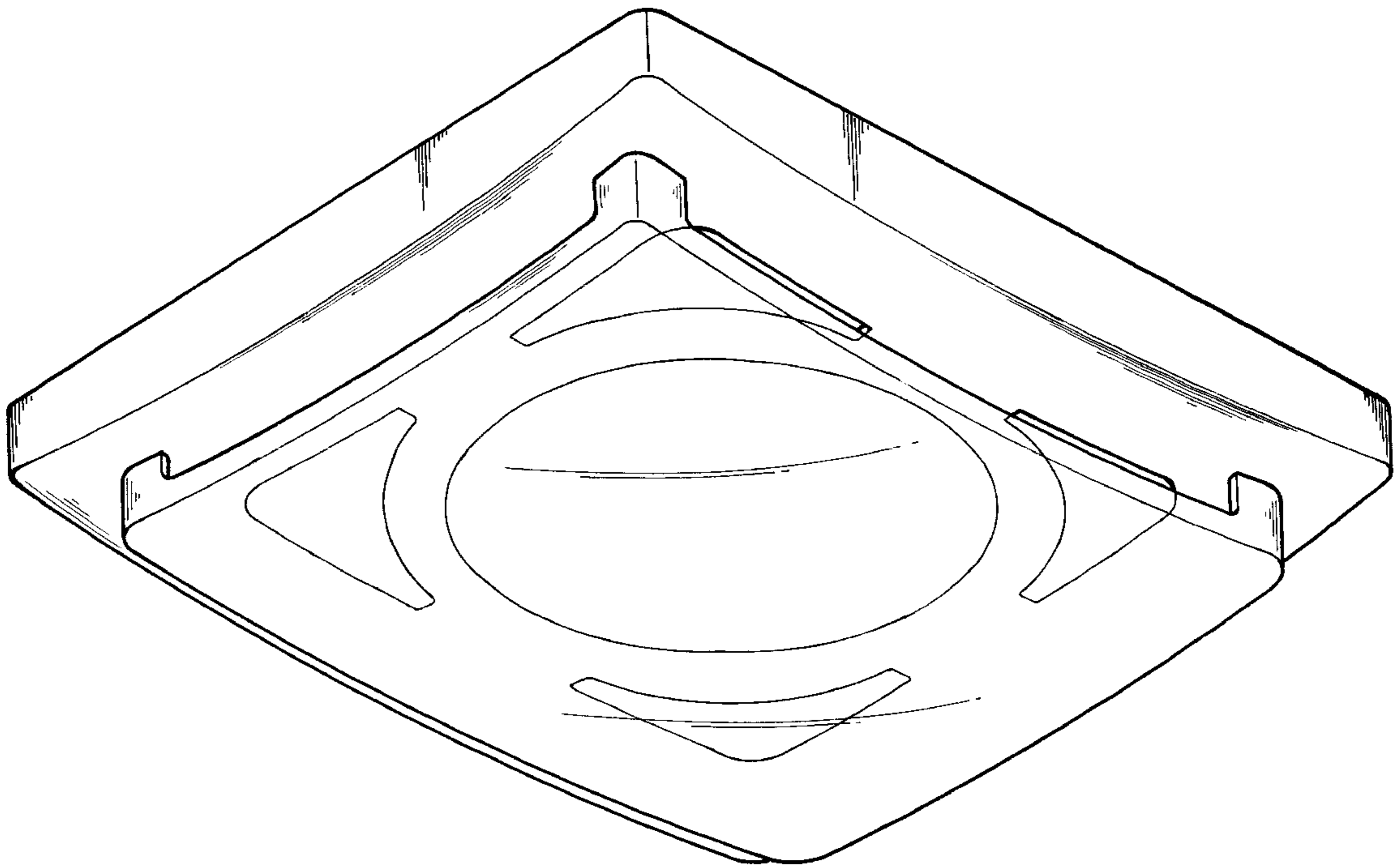
FIG. 4 is a left side elevational view thereof;

FIG. 5 is a right side elevational view thereof;

FIG. 6 is a top plan view thereof; and,

FIG. 7 is a bottom plan view thereof.

1 Claim, 5 Drawing Sheets



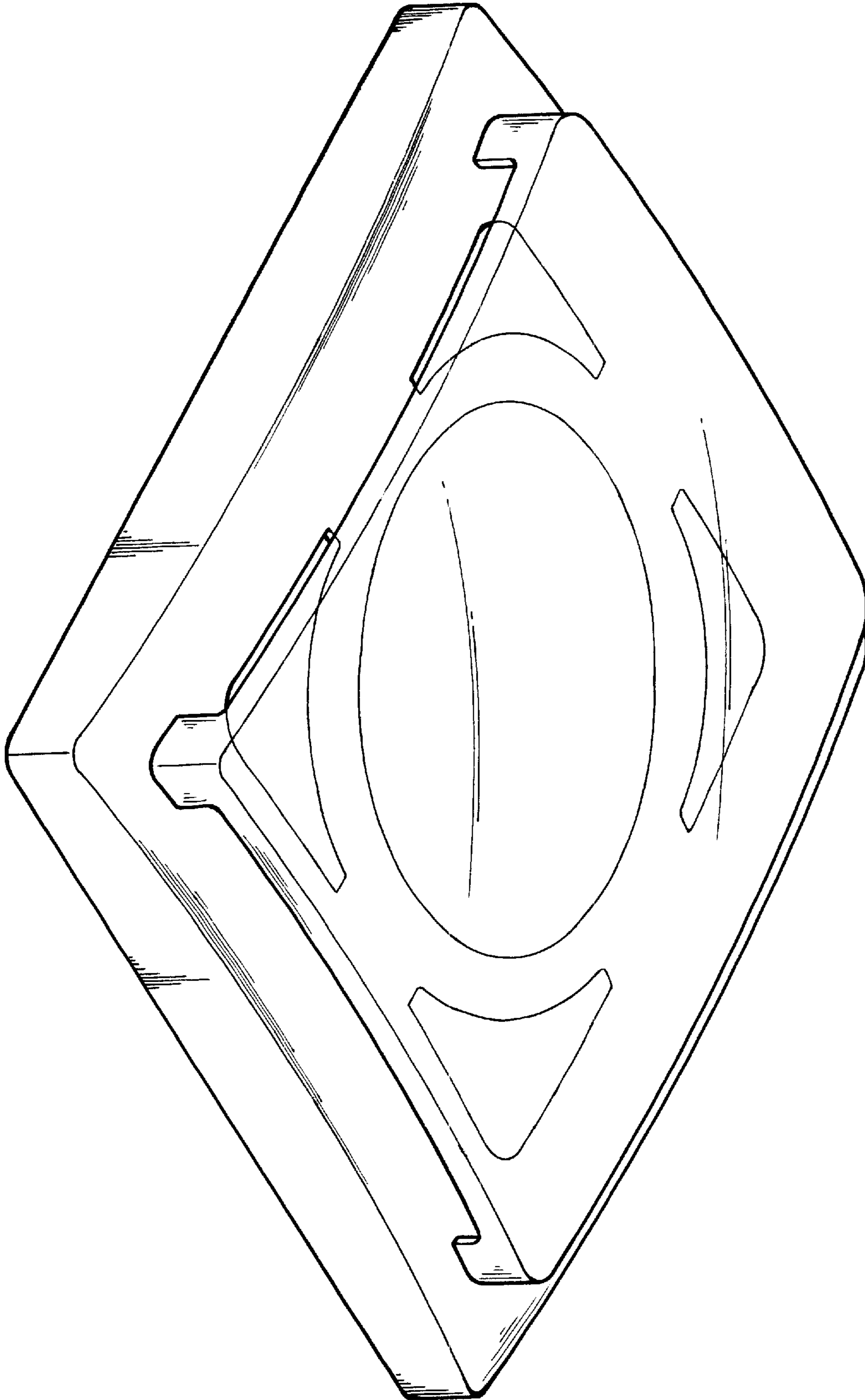


FIG.1

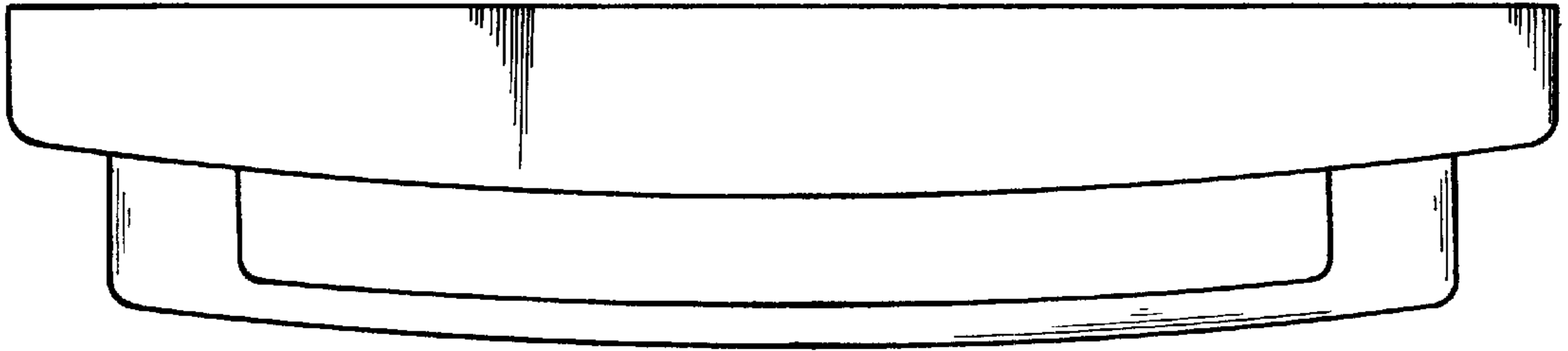


FIG. 2

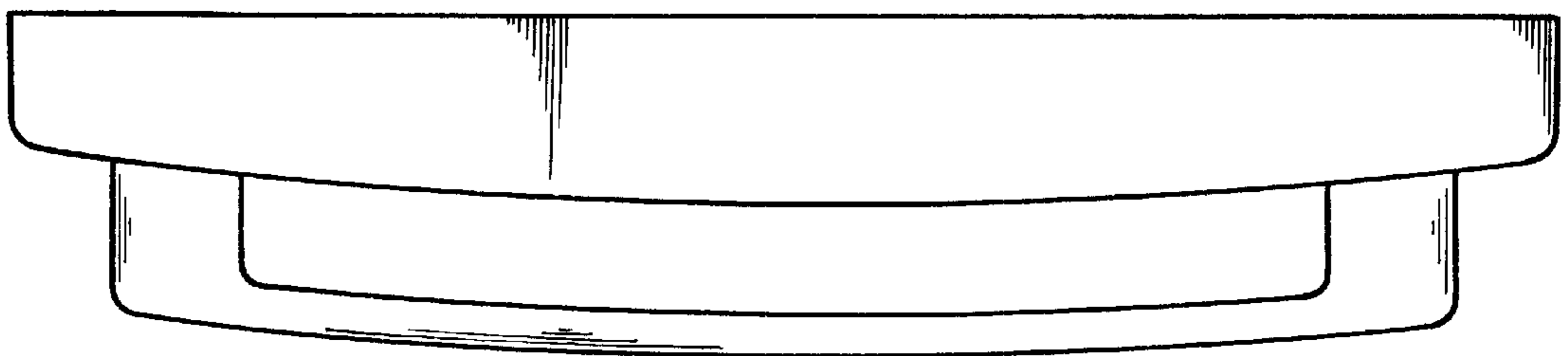


FIG. 3

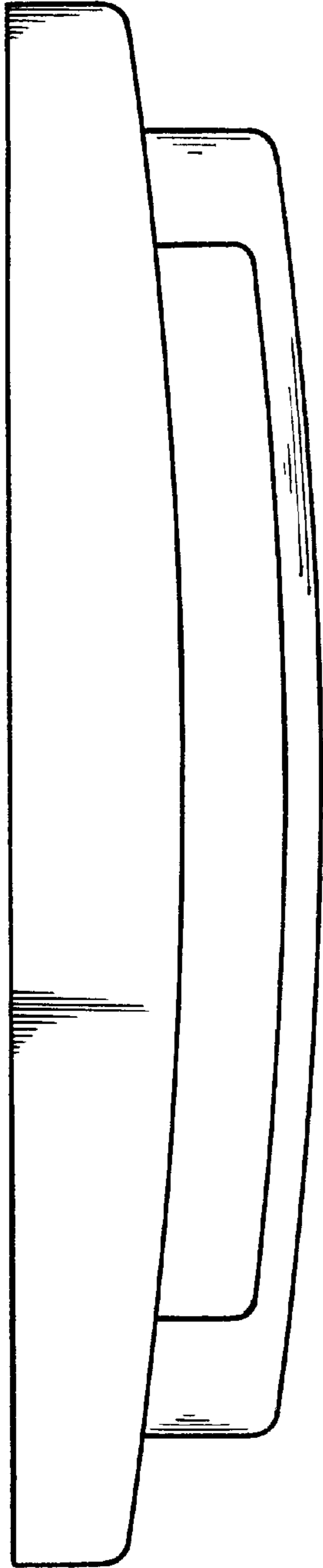


FIG. 4

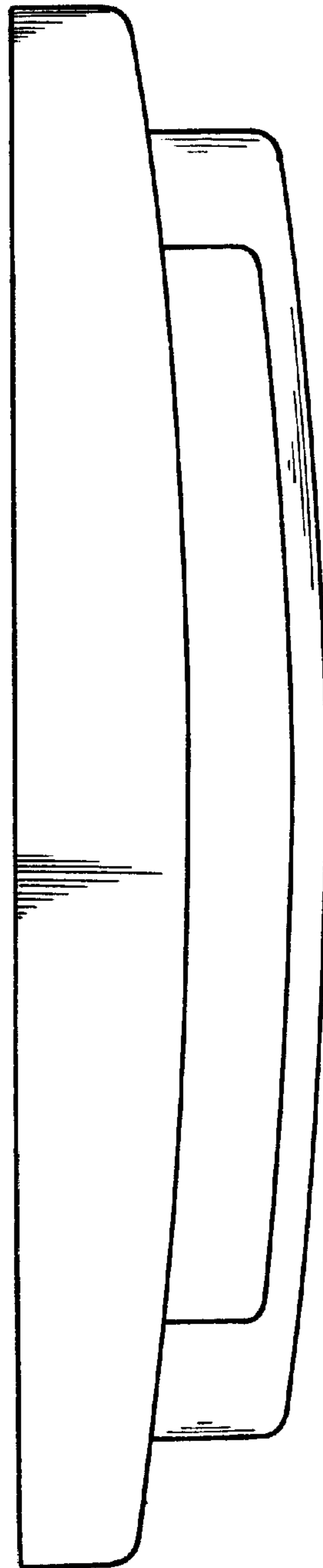


FIG. 5

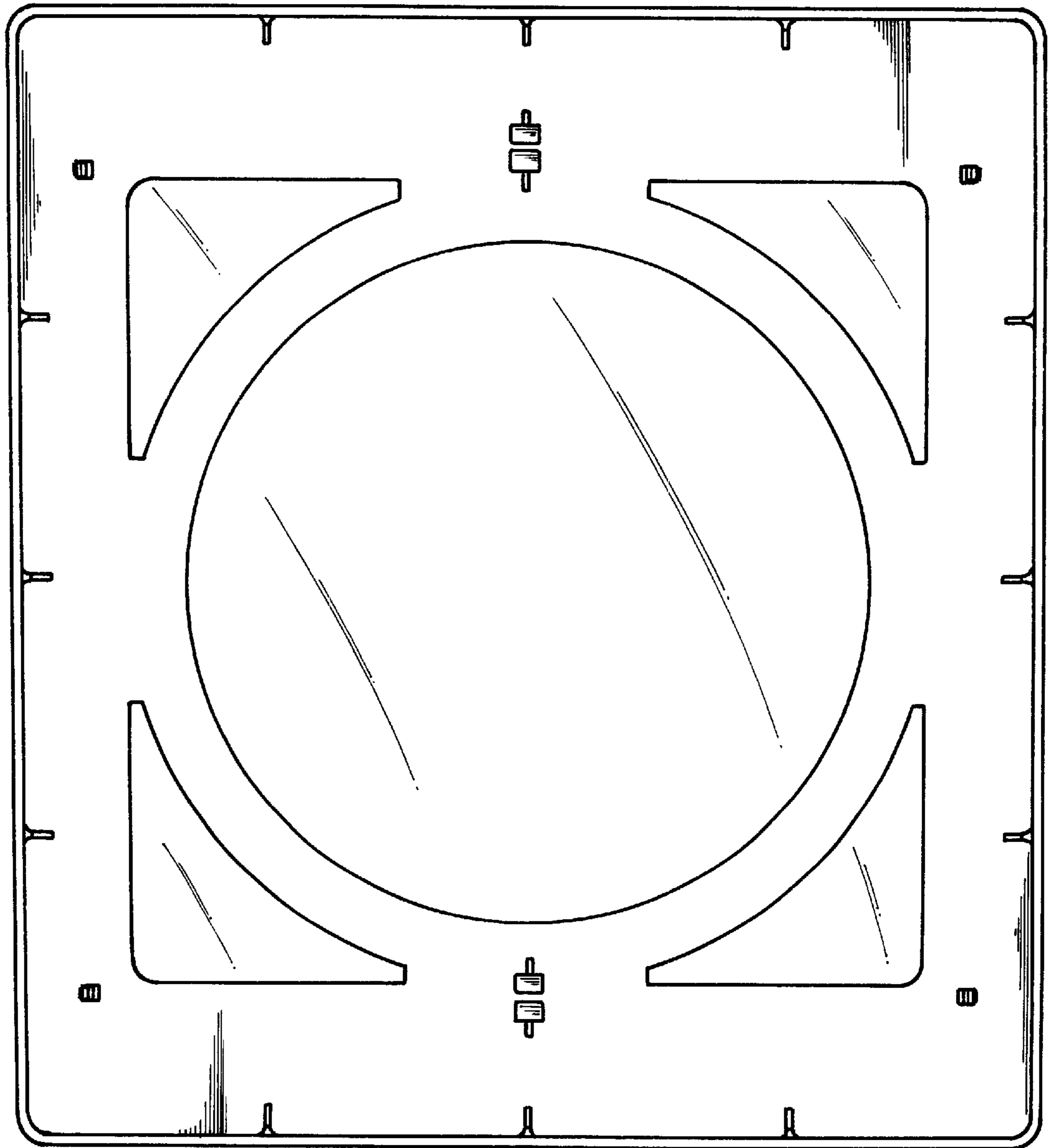


FIG. 6

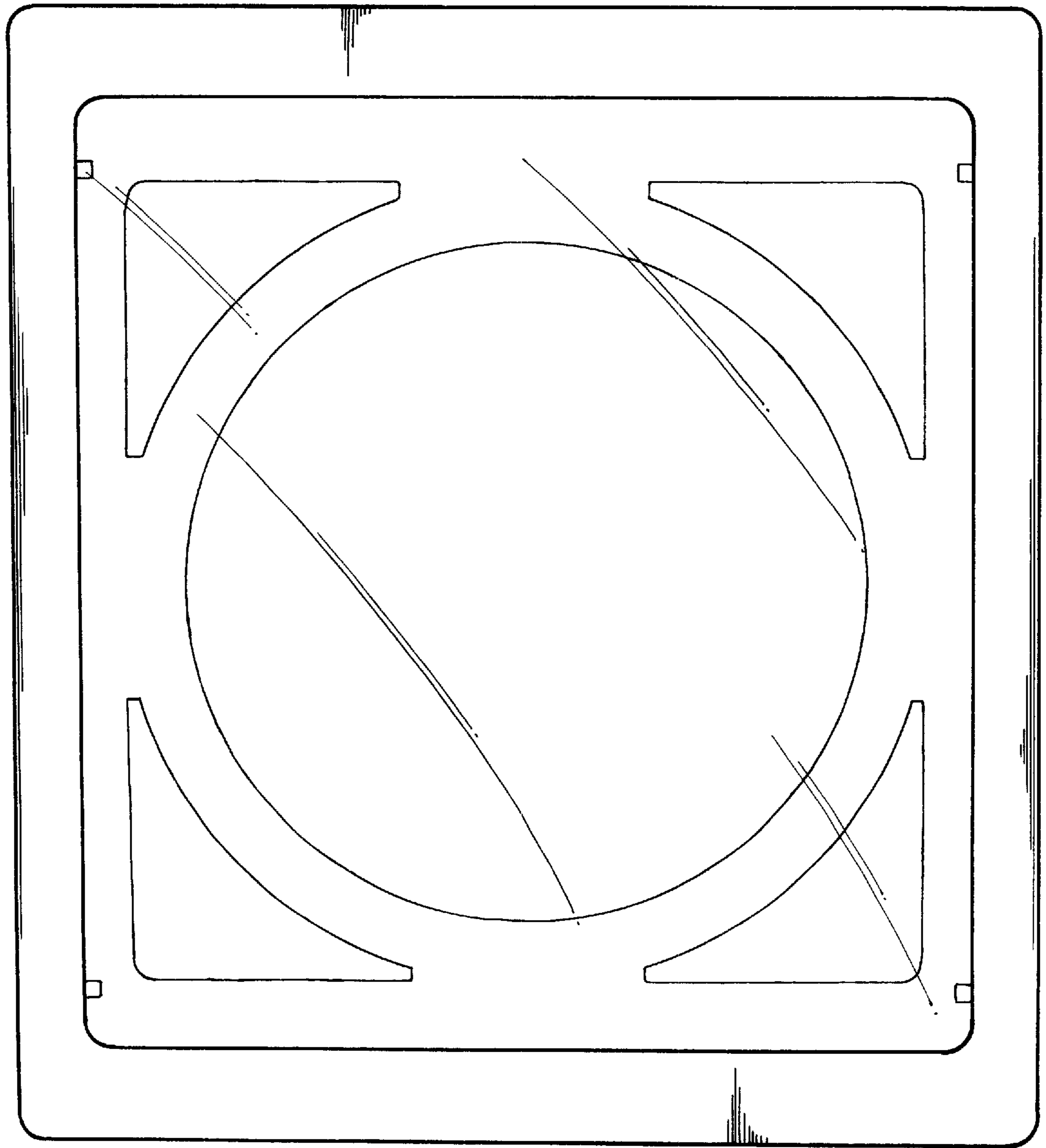


FIG. 7