



US00D452900B1

(12) **United States Design Patent**  
**Funk et al.**

(10) **Patent No.:** **US D452,900 S**  
(45) **Date of Patent:** **\*\* Jan. 8, 2002**

- (54) **BATHING ENCLOSURE ENTRY**
- (75) Inventors: **David R. Funk; William C. McKeone,**  
both of Sheboygan, WI (US)
- (73) Assignee: **Kohler Co., Kohler, WI (US)**
- (\*\*) Term: **14 Years**
- (21) Appl. No.: **29/103,521**
- (22) Filed: **Apr. 15, 1999**
- (51) **LOC (7) Cl. .... 23-01**
- (52) **U.S. Cl. .... D23/275**
- (58) **Field of Search .... D23/255, 277,**  
D23/279, 280.1, 280.2, 280.4, 283; 4/596,  
600, 604, 605, 602, 607, 610, 612

(56) **References Cited**

**U.S. PATENT DOCUMENTS**

D254,148 S	*	2/1980	Alexander	.....	D23/275
D310,557 S	*	9/1990	Smith	.....	D23/275
D314,451 S	*	2/1991	Smith	.....	D23/283
D315,895 S	*	4/1991	Paine et al.	.....	D14/100
D345,783 S	*	4/1994	Kohler, Jr.	.....	D23/275
D347,049 S	*	5/1994	Clark et al.	.....	D23/275
D356,363 S	*	3/1995	Smith	.....	D23/275
D379,216 S	*	5/1997	Salach et al.	.....	D23/277

**OTHER PUBLICATIONS**

- Undated Sterling catalog ad showing a "6001" tub door.
- Undated Efron catalog ad showing a shower door.
- 1998 Kallista catalog ad showing a handle escutcheon.
- West Lake Schools web page showing Doric column style.
- West Lake Schools web page showing Doric column style.

\* cited by examiner

*Primary Examiner*—Eric Watterson  
(74) *Attorney, Agent, or Firm*—Quarles & Brady LLP

(57) **CLAIM**

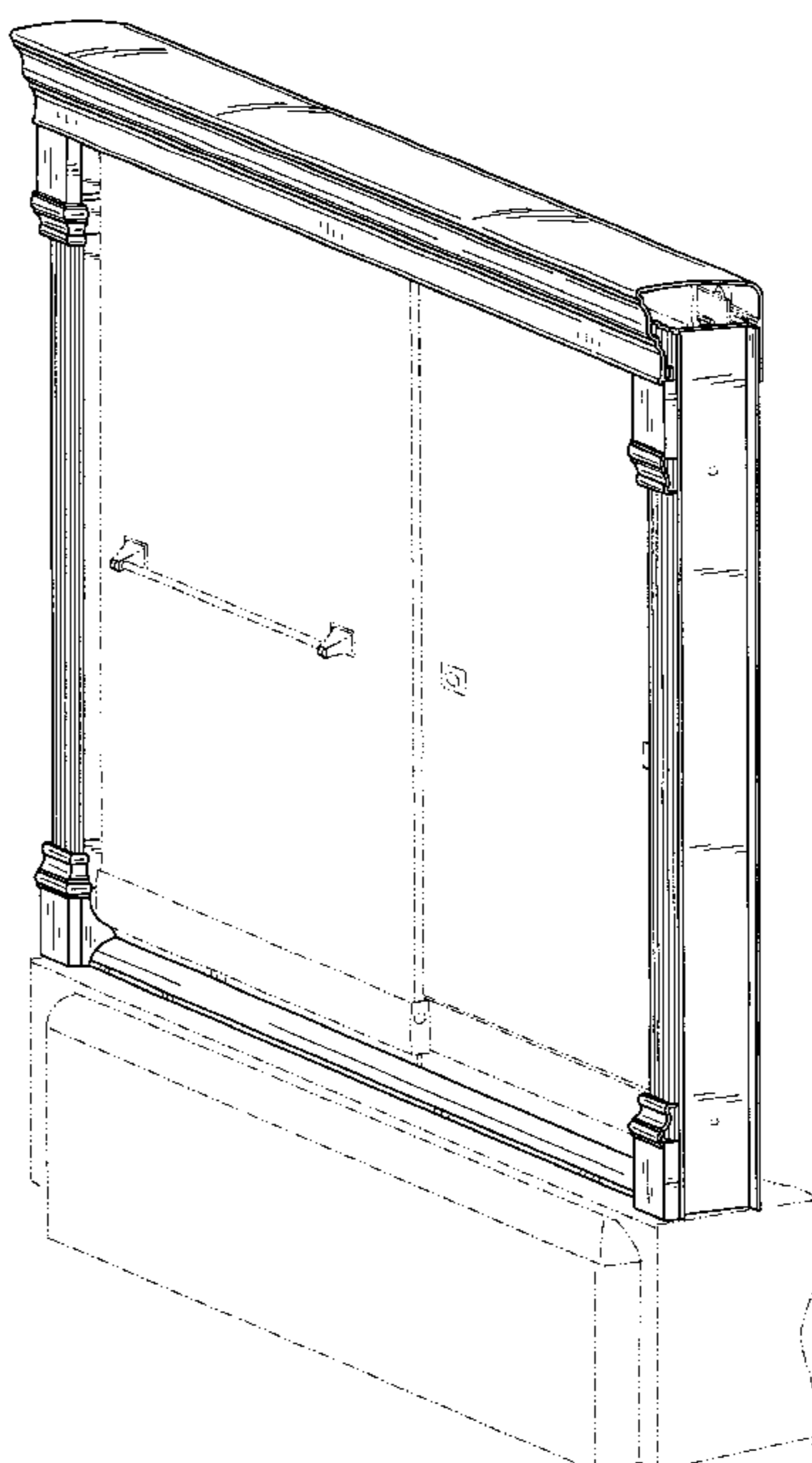
The ornamental design for a bathing enclosure entry, as shown and described.

**DESCRIPTION**

- FIG. 1 is a right, top, front perspective view of a bathing enclosure entry embodying our new design;
- FIG. 2 is a front elevational view thereof;
- FIG. 3 is a rear elevational view thereof;
- FIG. 4 is a right side elevational view thereof, the left side elevational view being a mirror image of the right side shown;
- FIG. 5 is a top plan view thereof;
- FIG. 6 is an enlarged fragmentary view taken along line 6-6 of FIG. 4;
- FIG. 7 is an enlarged fragmentary view taken along line 7-7 of FIG. 4;
- FIG. 8 is an enlarged fragmentary cross-sectional view taken along line 8-8 of FIG. 2; and,
- FIG. 9 is an enlarged fragmentary cross-sectional view taken along line 9-9 of FIG. 2.

The broken line representations of a mounting environment in FIGS. 1-4, 7, and 9, of door panels in FIGS. 1-3, of handles in FIGS. 1-5, of holes in FIGS. 1, 4, 6, and 7, and of support structure in FIGS. 6 and 9, are for the purpose of illustration only, and form no part of the claimed design.

**1 Claim, 5 Drawing Sheets**



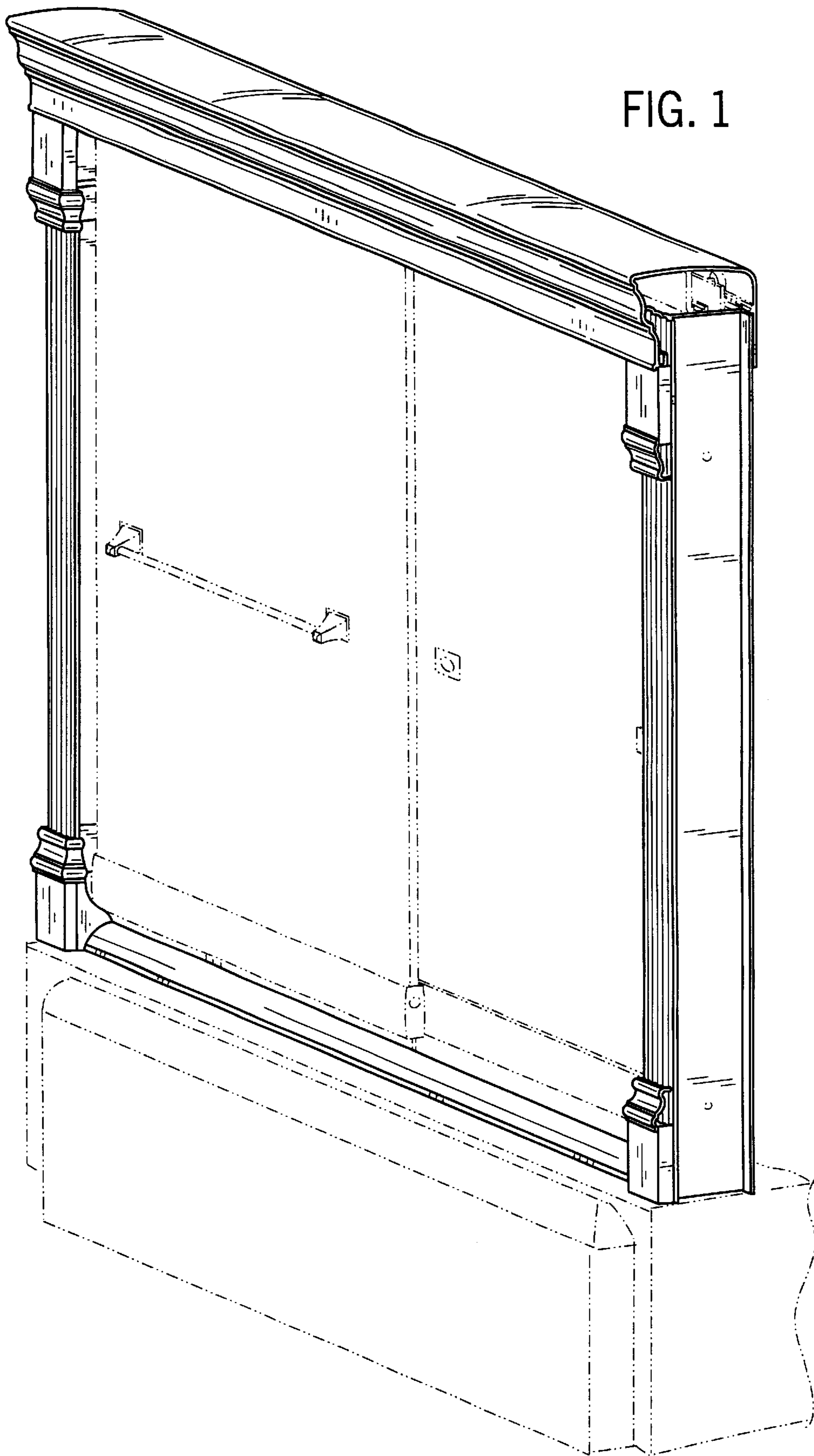


FIG. 1

FIG. 2

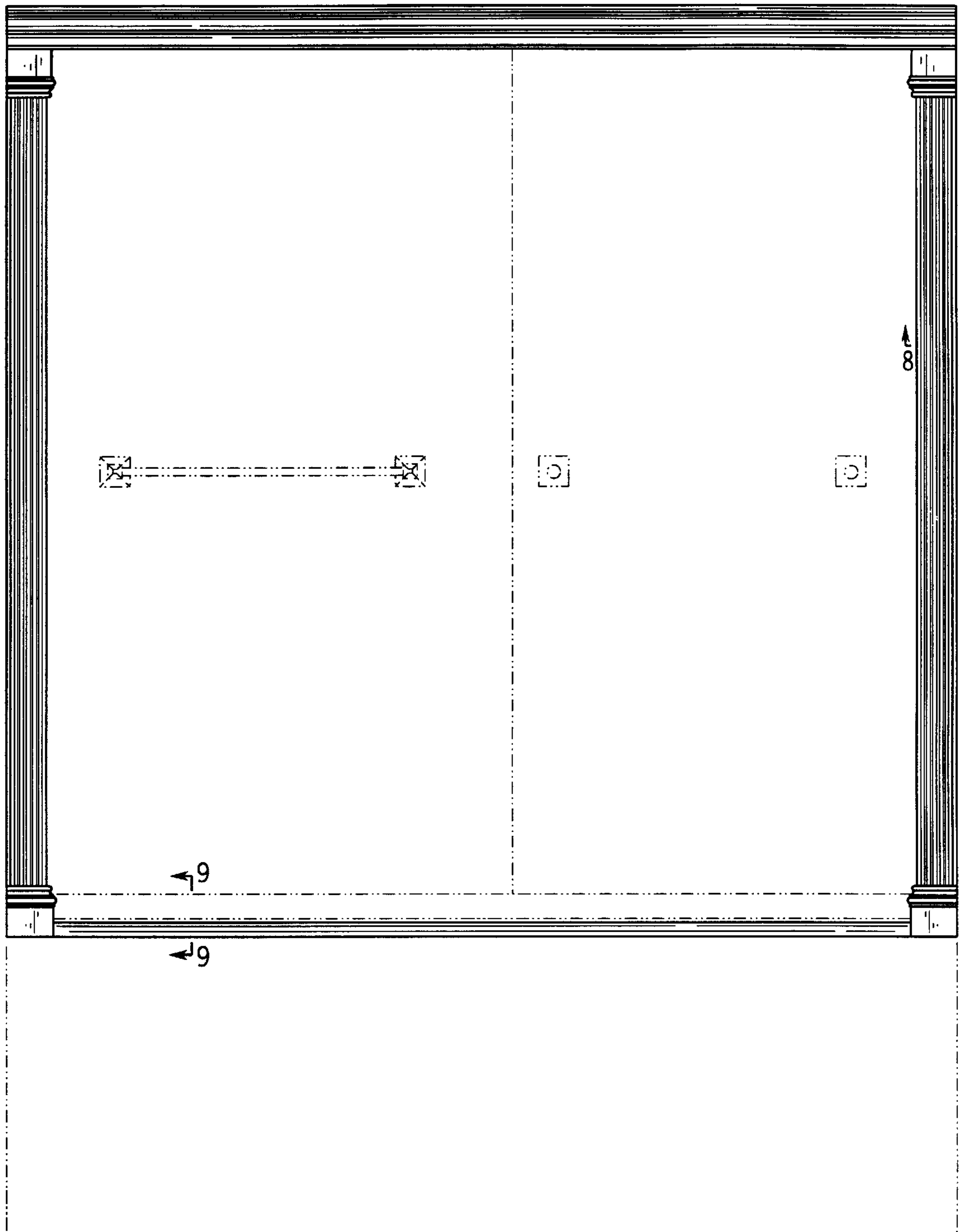
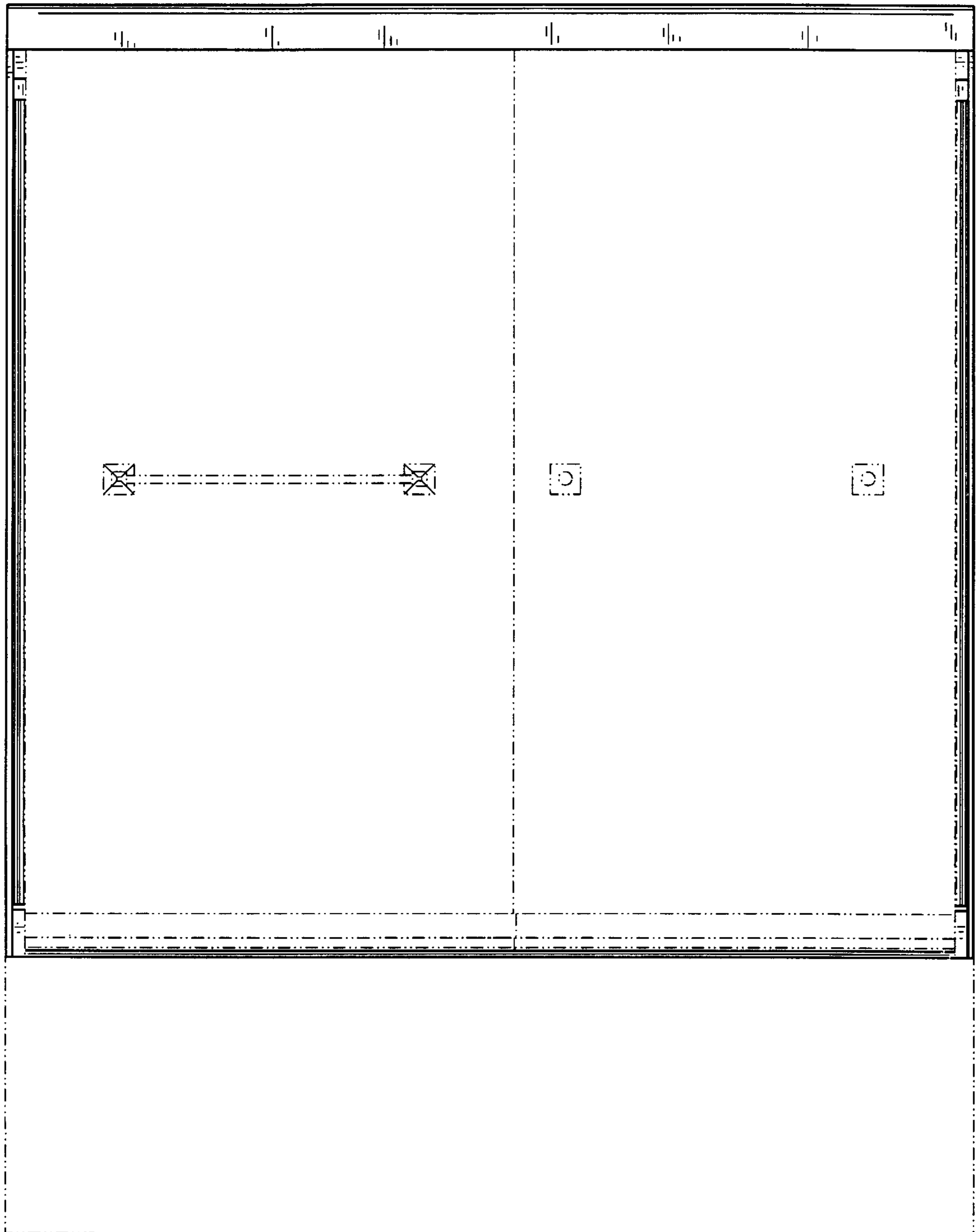


FIG. 3



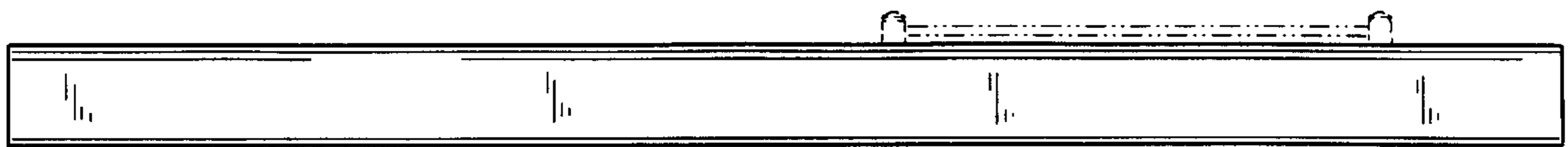


FIG. 5

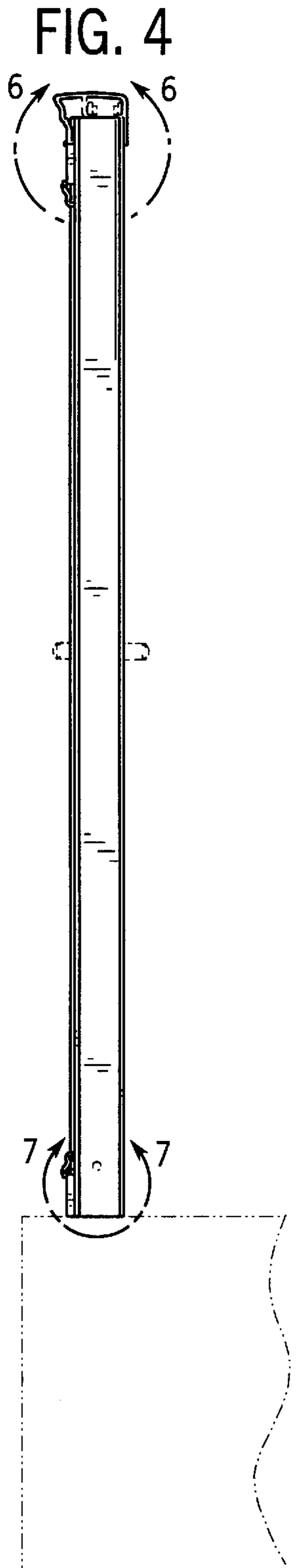


FIG. 4

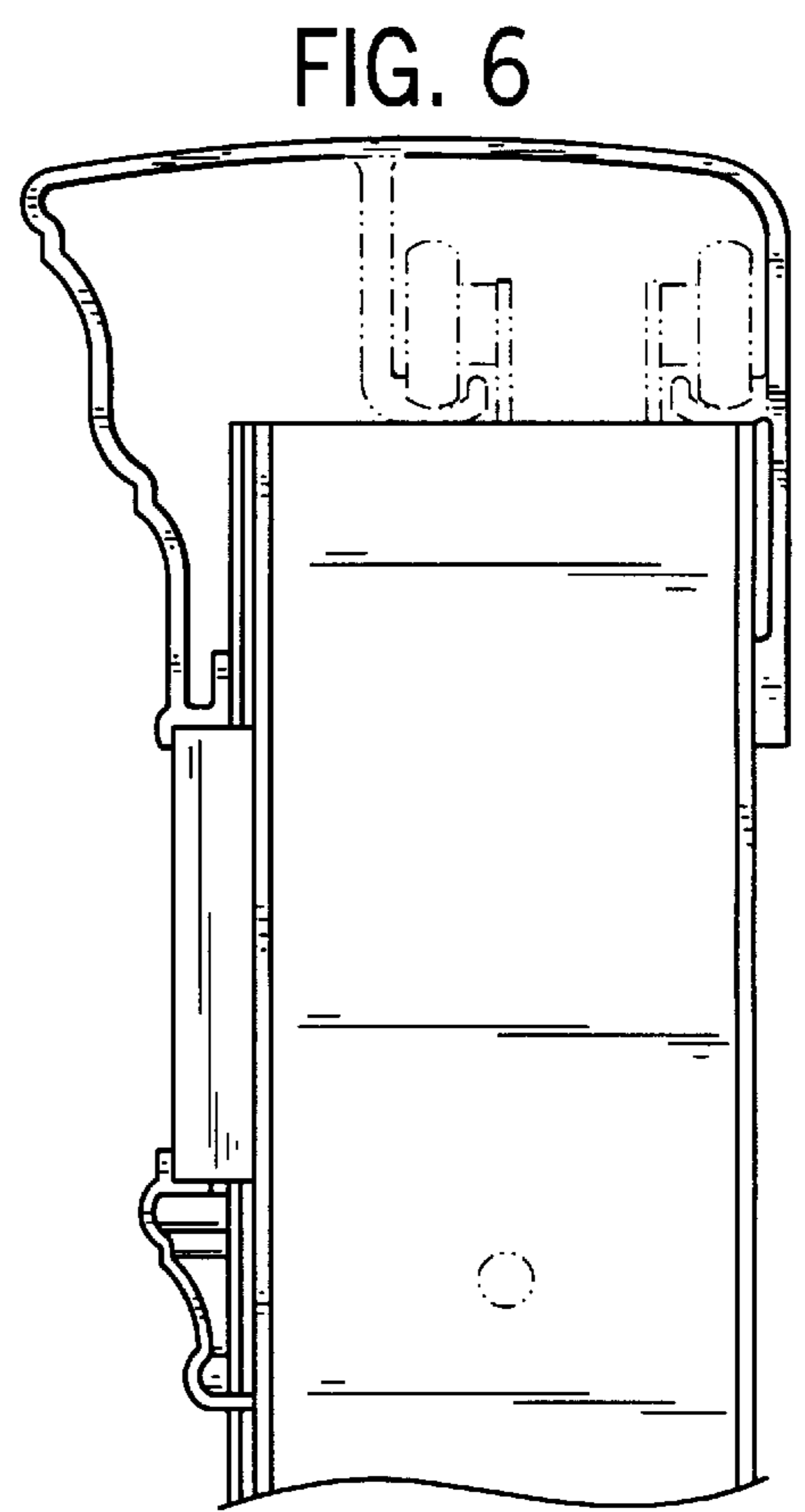


FIG. 6

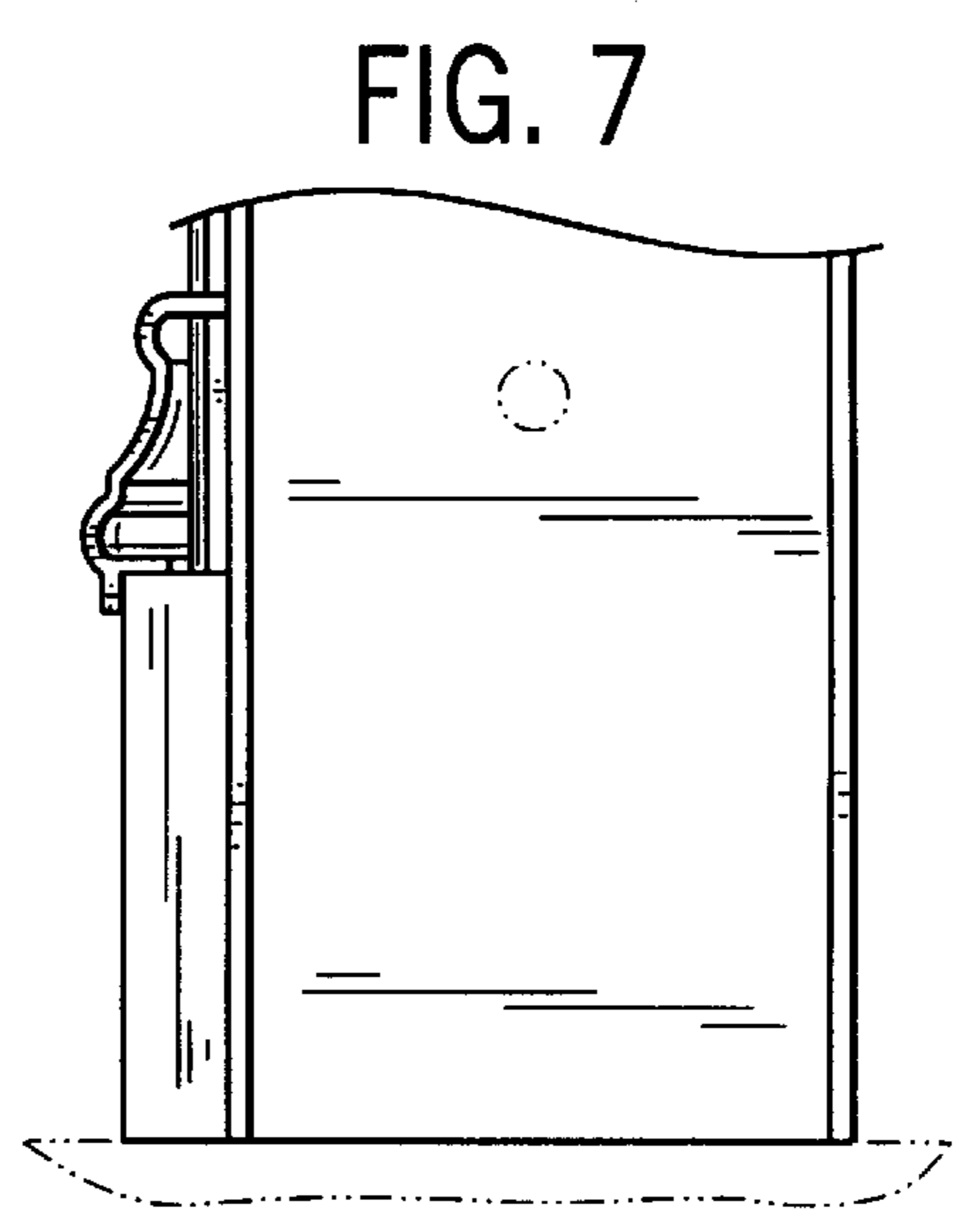


FIG. 7

FIG. 8

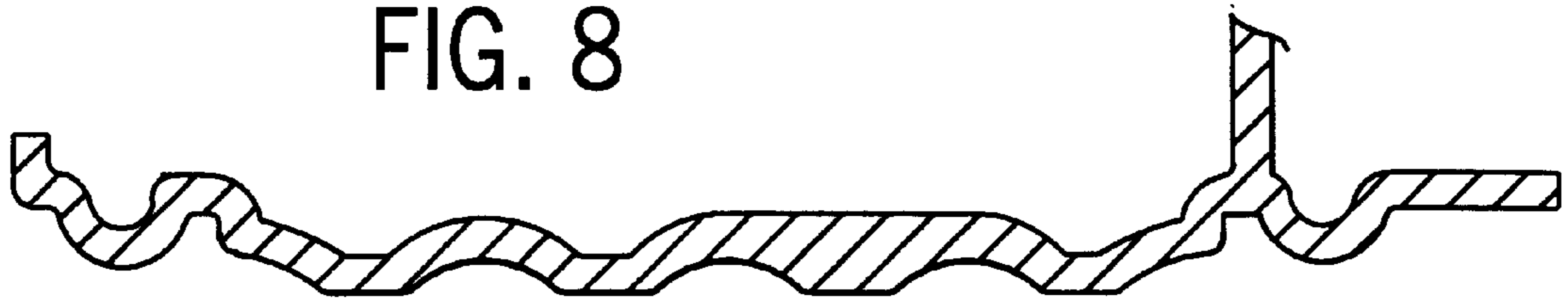


FIG. 9

