



US00D452899B1

(12) **United States Design Patent**
Salisbury

(10) **Patent No.:** **US D452,899 S**

(45) **Date of Patent:** **** Jan. 8, 2002**

(54) **EMERGENCY RELIEF DRAIN**

(76) **Inventor:** **Steven R. Salisbury**, 244 Seaside Dr.,
Pacifica, CA (US) 94044

(**) **Term:** **14 Years**

(21) **Appl. No.:** **29/137,551**

(22) **Filed:** **Feb. 21, 2001**

(51) **LOC (7) Cl.** **23-01**

(52) **U.S. Cl.** **D23/261**

(58) **Field of Search** D23/261, 260;
210/163, 164; 4/286, 288, 290-292

(56) **References Cited**

U.S. PATENT DOCUMENTS

4,492,491	A	*	1/1985	Lunden et al.	210/163
4,910,811	A	*	3/1990	Izzi	4/292
D370,716	S	*	6/1996	Menzies	D23/261
D421,101	S	*	2/2000	Barnett	D23/261

D421,102	S	*	2/2000	Barnett	D23/261
6,200,484	B1	*	3/2001	McInnis	210/164
6,263,518	B1	*	7/2001	Magtanoung	4/286

* cited by examiner

Primary Examiner—Robin V. Taylor

(74) *Attorney, Agent, or Firm*—Burns Doane Swecker &
Mathis LLP

(57) **CLAIM**

The ornamental design for an emergency relief drain, as shown and described.

DESCRIPTION

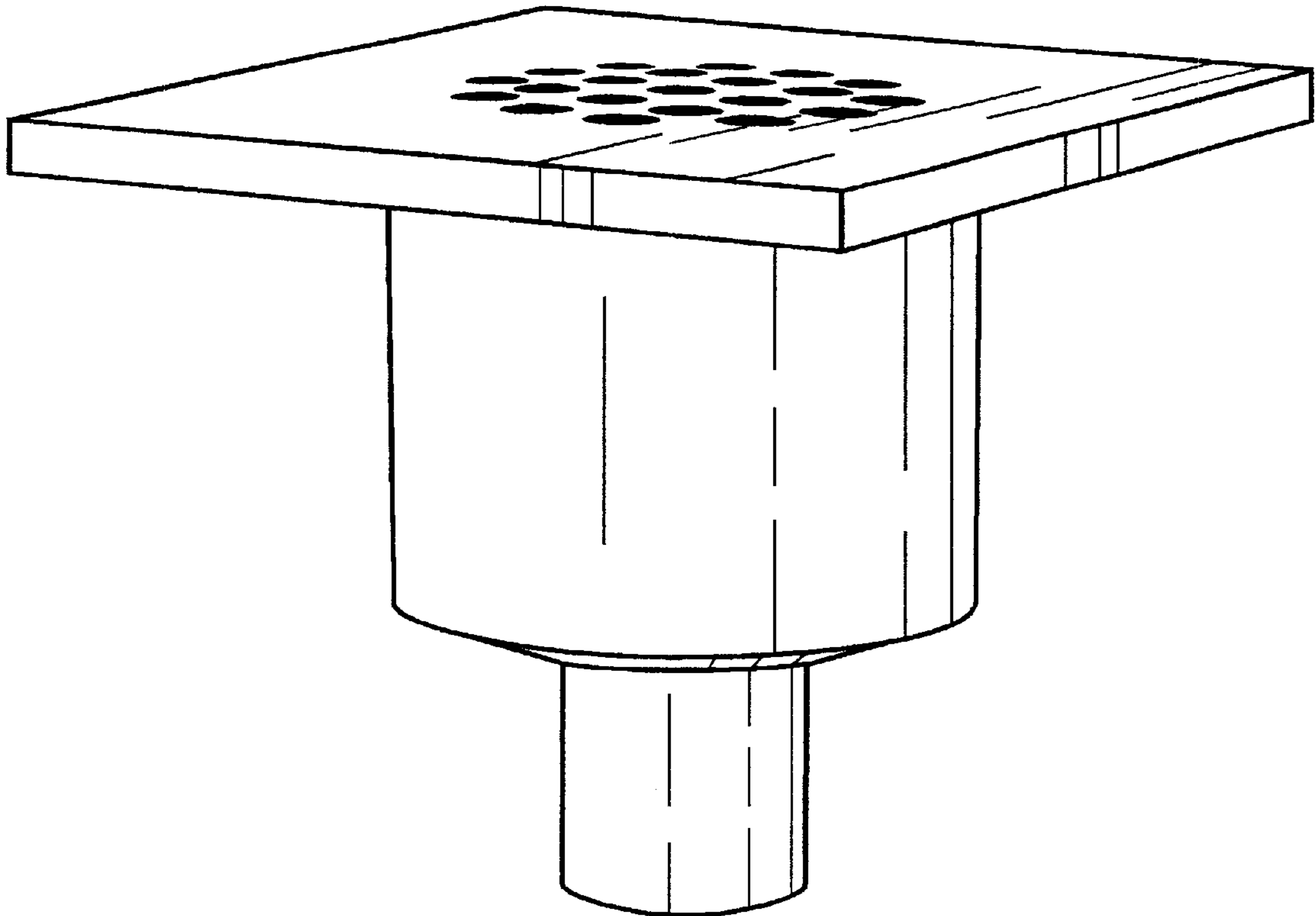
FIG. 1 is perspective view of my new design;

FIG. 2 is a side elevation view thereof;

FIG. 3 is a top plan view thereof; and,

FIG. 4 is a bottom plan view thereof.

1 Claim, 4 Drawing Sheets



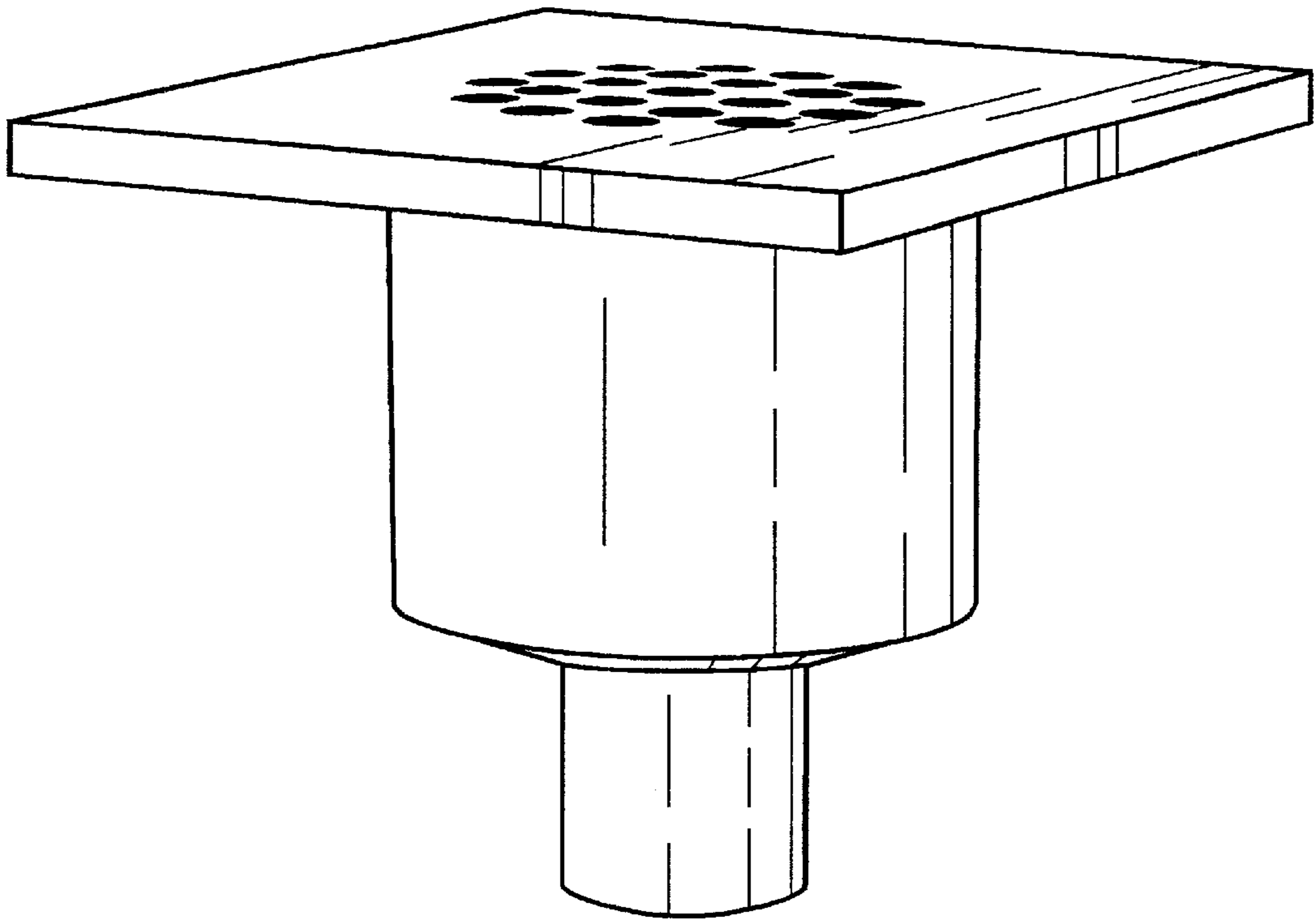


FIG. 1

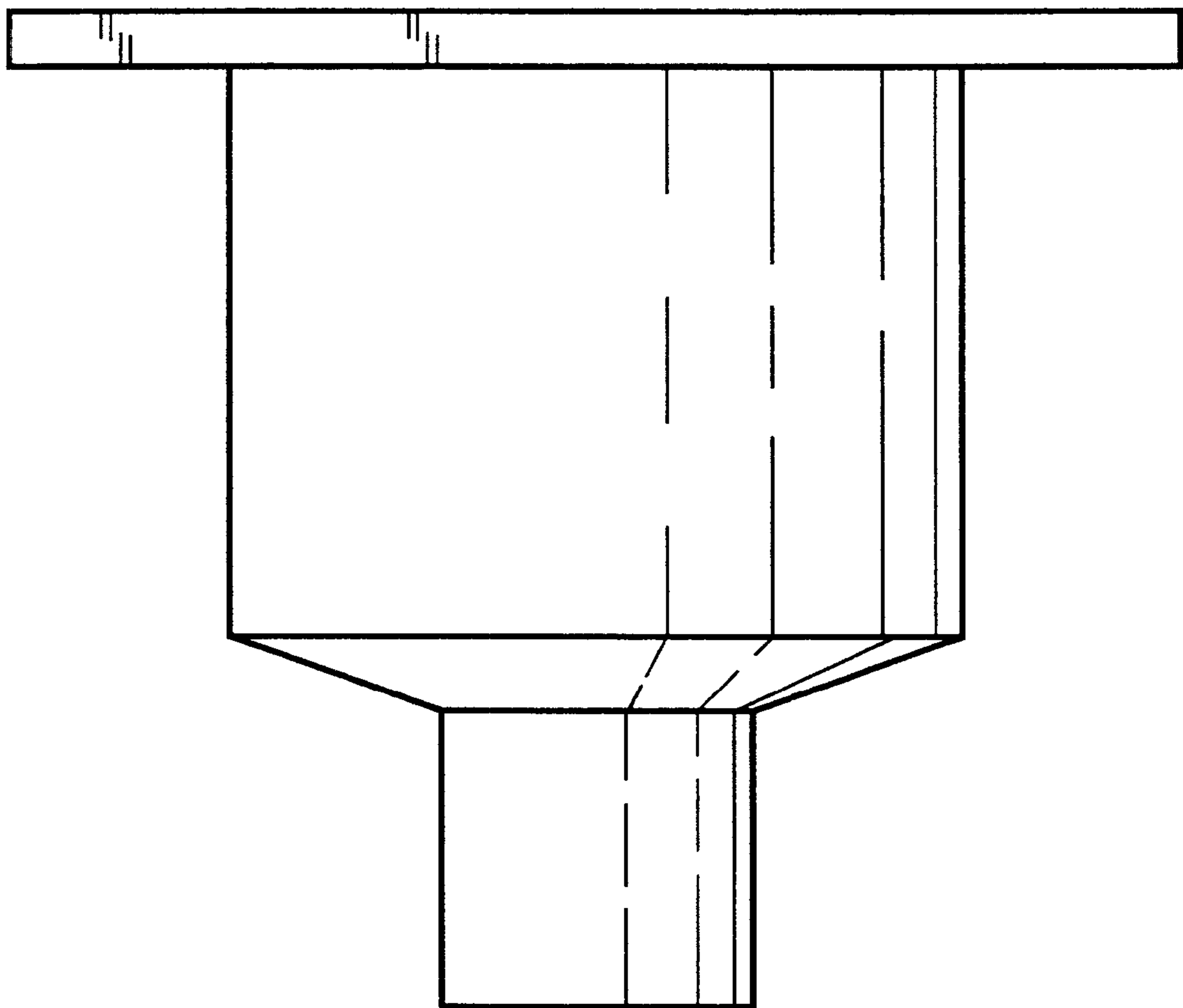


FIG. 2

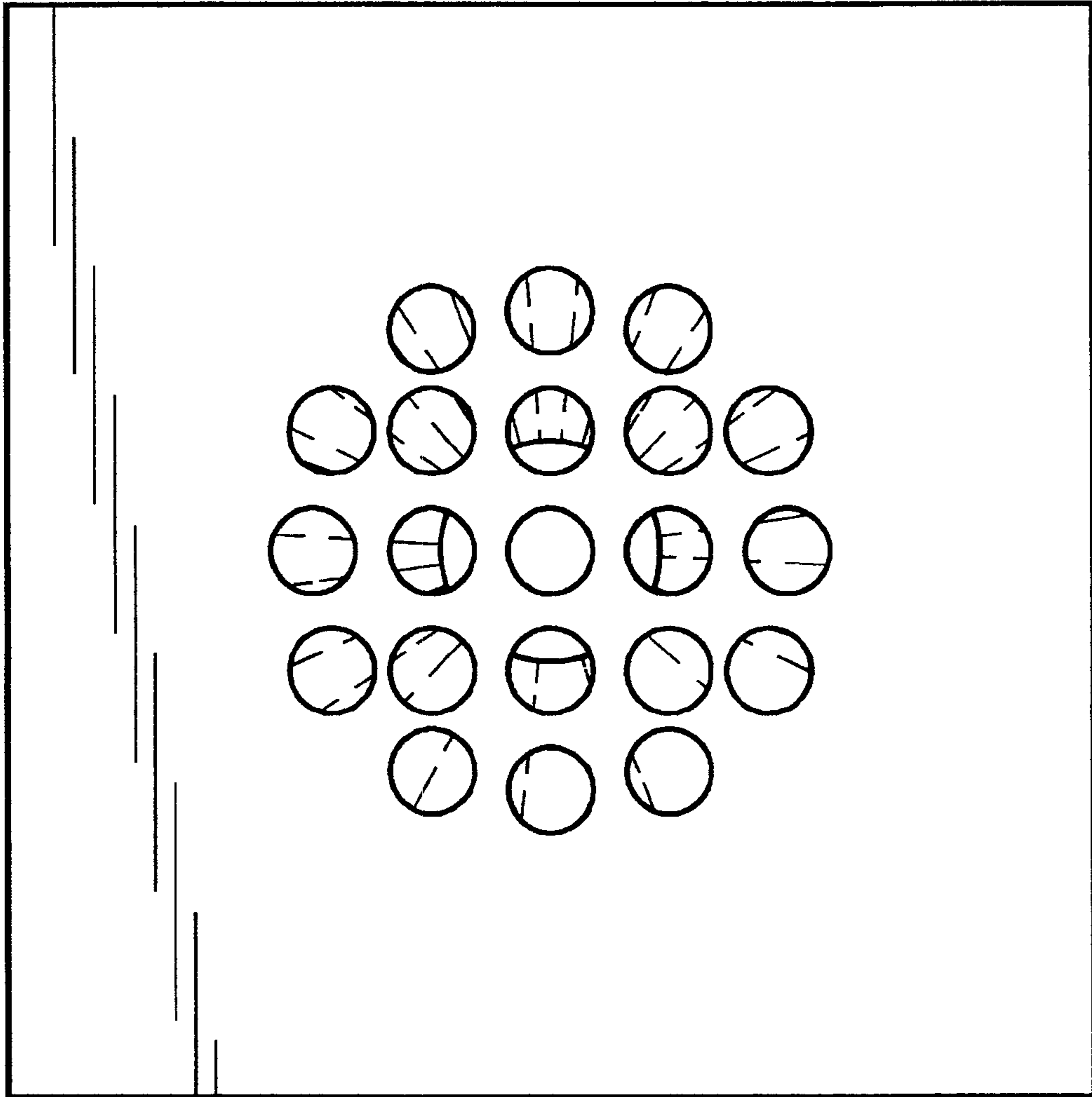


FIG. 3

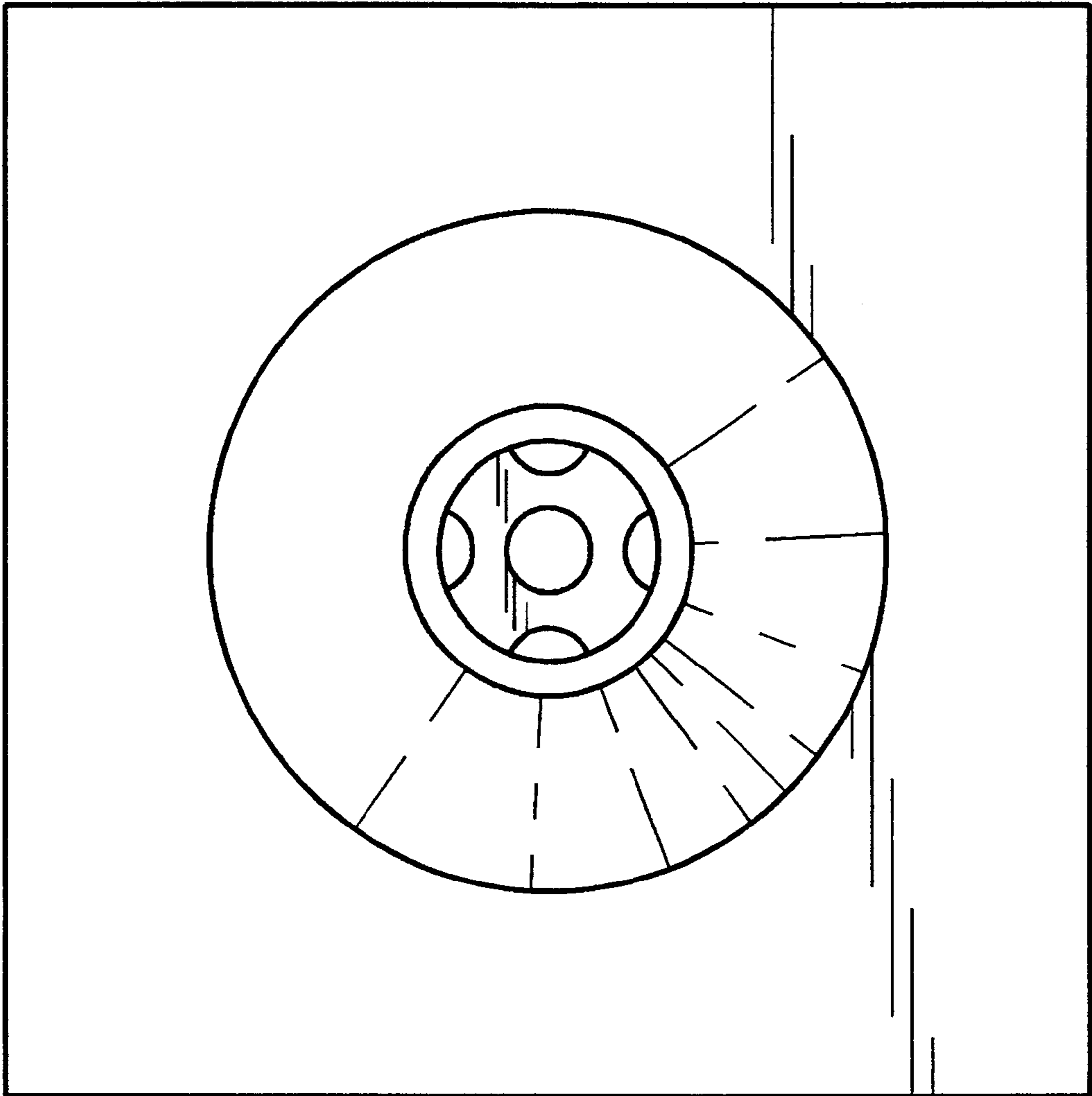


FIG. 4