



US00D452898B2

(12) **United States Design Patent**  
**Johnson**

(10) **Patent No.:** **US D452,898 S**

(45) **Date of Patent:** **\*\* Jan. 8, 2002**

(54) **FLUSH CONTROLLER FOR SANITARY FIXTURES**

*Primary Examiner*—Robin V. Taylor  
(74) *Attorney, Agent, or Firm*—Philip M. Kolehmainen

(75) **Inventor:** **Dwight N. Johnson**, Carlsbad, CA (US)

(57) **CLAIM**

(73) **Assignee:** **Geberit Technik AG**, Jona (CH)

I claim the ornamental design for flush controller for sanitary fixtures, as shown and described.

(\*\*) **Term:** **14 Years**

**DESCRIPTION**

(21) **Appl. No.:** **29/135,842**

FIG. 1 is a top and front and right side isometric view of a flush controller for sanitary fixtures showing my new design; FIG. 2 is a front view of the flush controller for sanitary fixtures;

(22) **Filed:** **Jan. 18, 2001**

(51) **LOC (7) Cl.** ..... **23-01**

(52) **U.S. Cl.** ..... **D23/233**

(58) **Field of Search** ..... D23/233-237,  
D23/244-5; 137/247.25, 601.12; 251/23,  
36

FIG. 3 is a rear view of the flush controller for sanitary fixtures;

FIG. 4 is a top view of the flush controller for sanitary fixtures;

(56) **References Cited**

**U.S. PATENT DOCUMENTS**

1,066,350	A	*	7/1913	Watrous	.....	251/36
1,123,753	A	*	1/1915	Kellan	.....	251/36
D182,297	S	*	3/1958	Marchant	.....	D23/245
D248,404	S	*	7/1978	Henry	.....	D23/233
4,805,247	A		2/1989	Laverty, Jr.		
D355,705	S	*	2/1995	Moineau et al.	.....	D23/233
5,699,994	A		12/1997	Wu		
6,041,809	A		3/2000	Johnson		

FIG. 5 is a bottom view of the flush controller for sanitary fixtures;

FIG. 6 is a right side view of the flush controller for sanitary fixtures; and,

FIG. 7 is a left side view of the flush controller for sanitary fixtures.

The control stop fitting and pipe shown in broken lines in FIG. 1 are included to show the environment for the flush controller for sanitary fixtures and are not part of the design.

\* cited by examiner

**1 Claim, 3 Drawing Sheets**

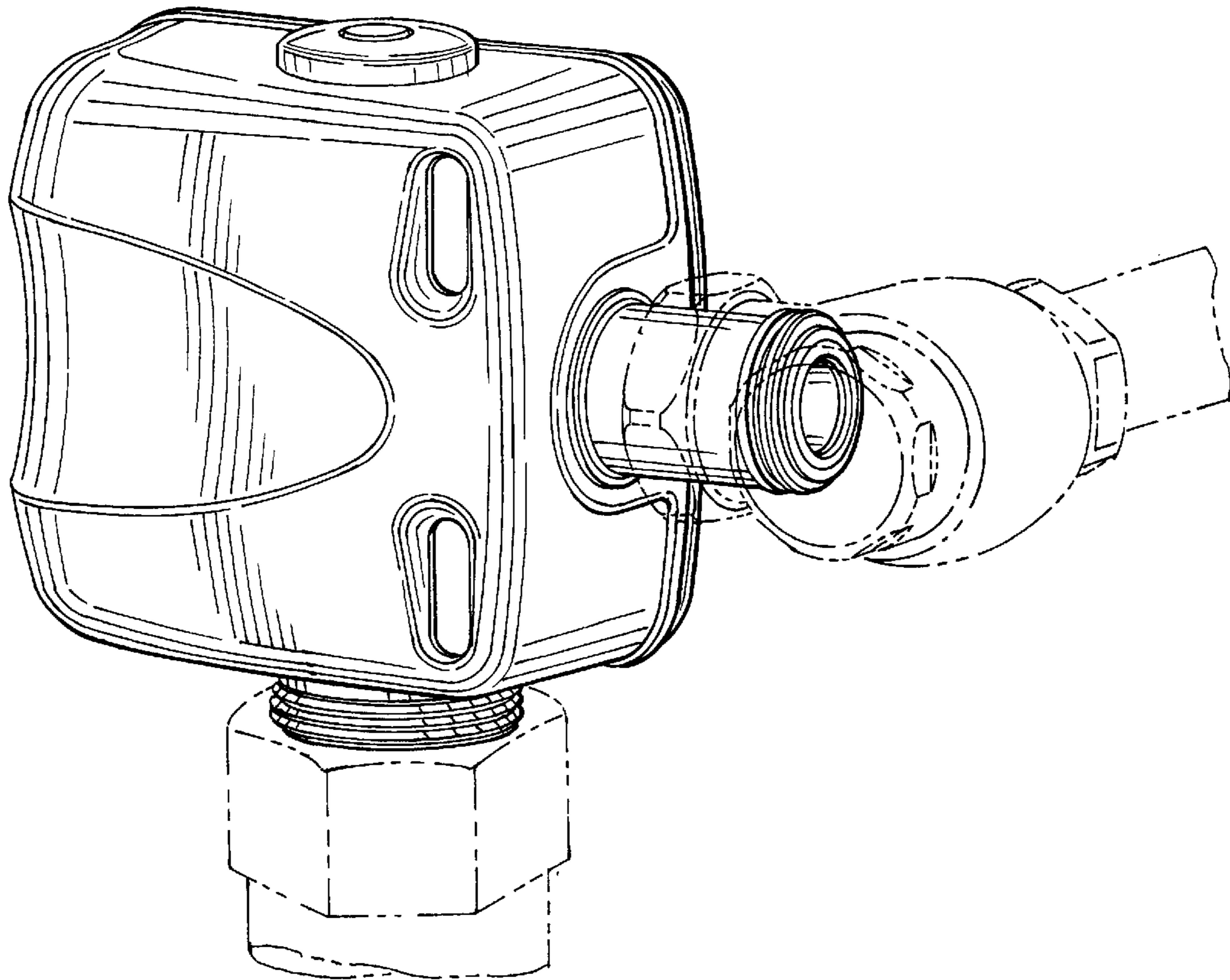


FIG. 1

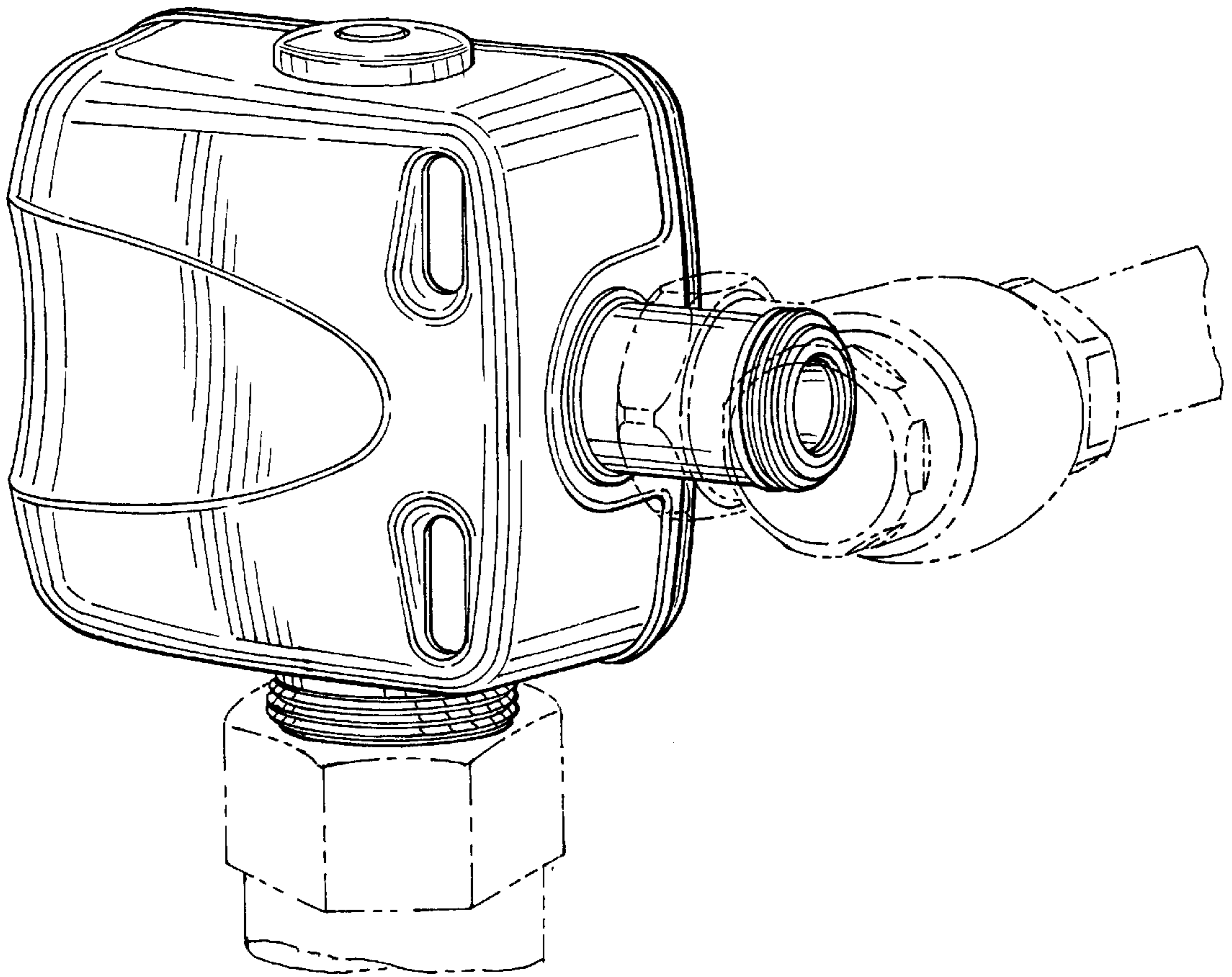


FIG. 2

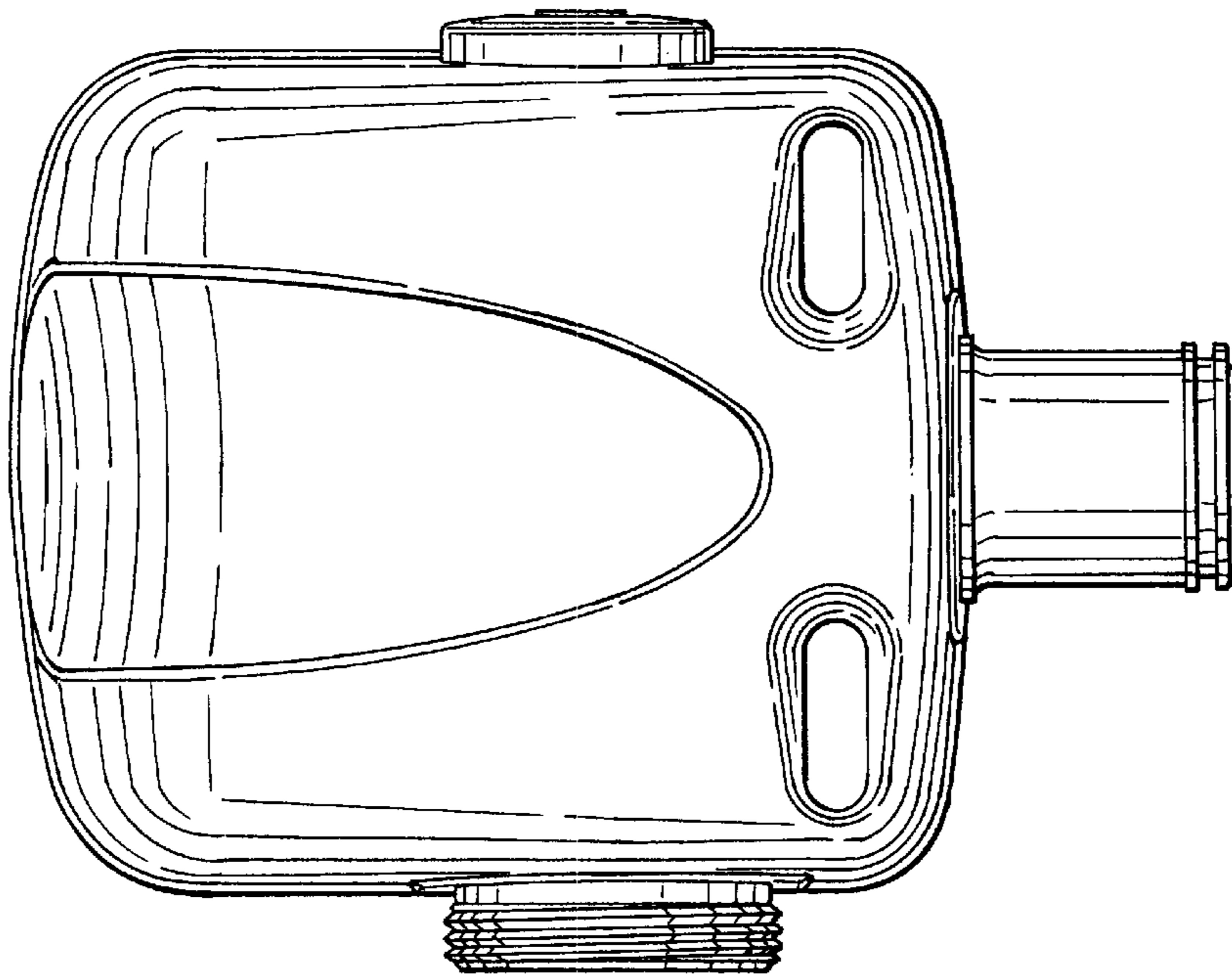


FIG.3

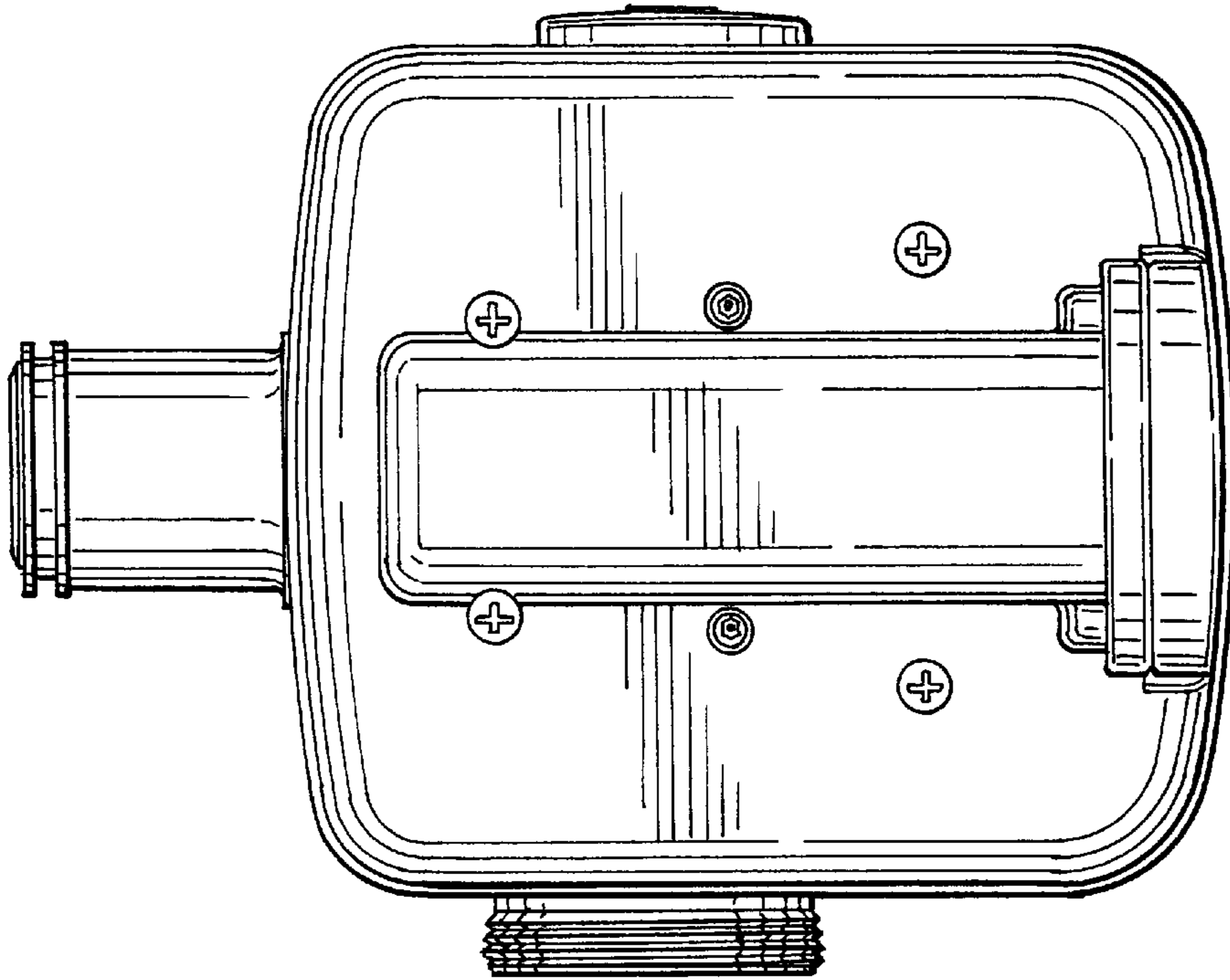


FIG.4

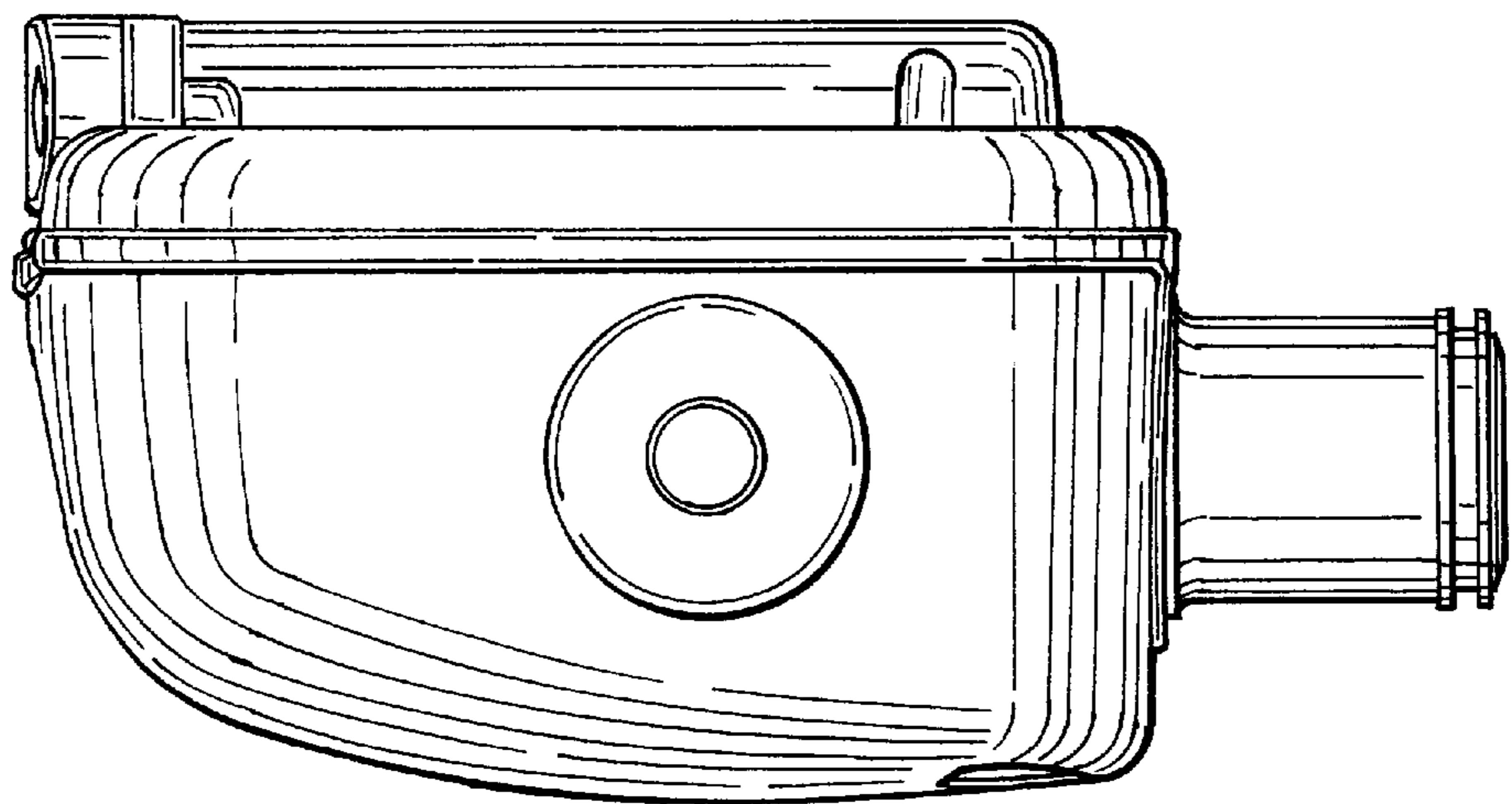


FIG.5

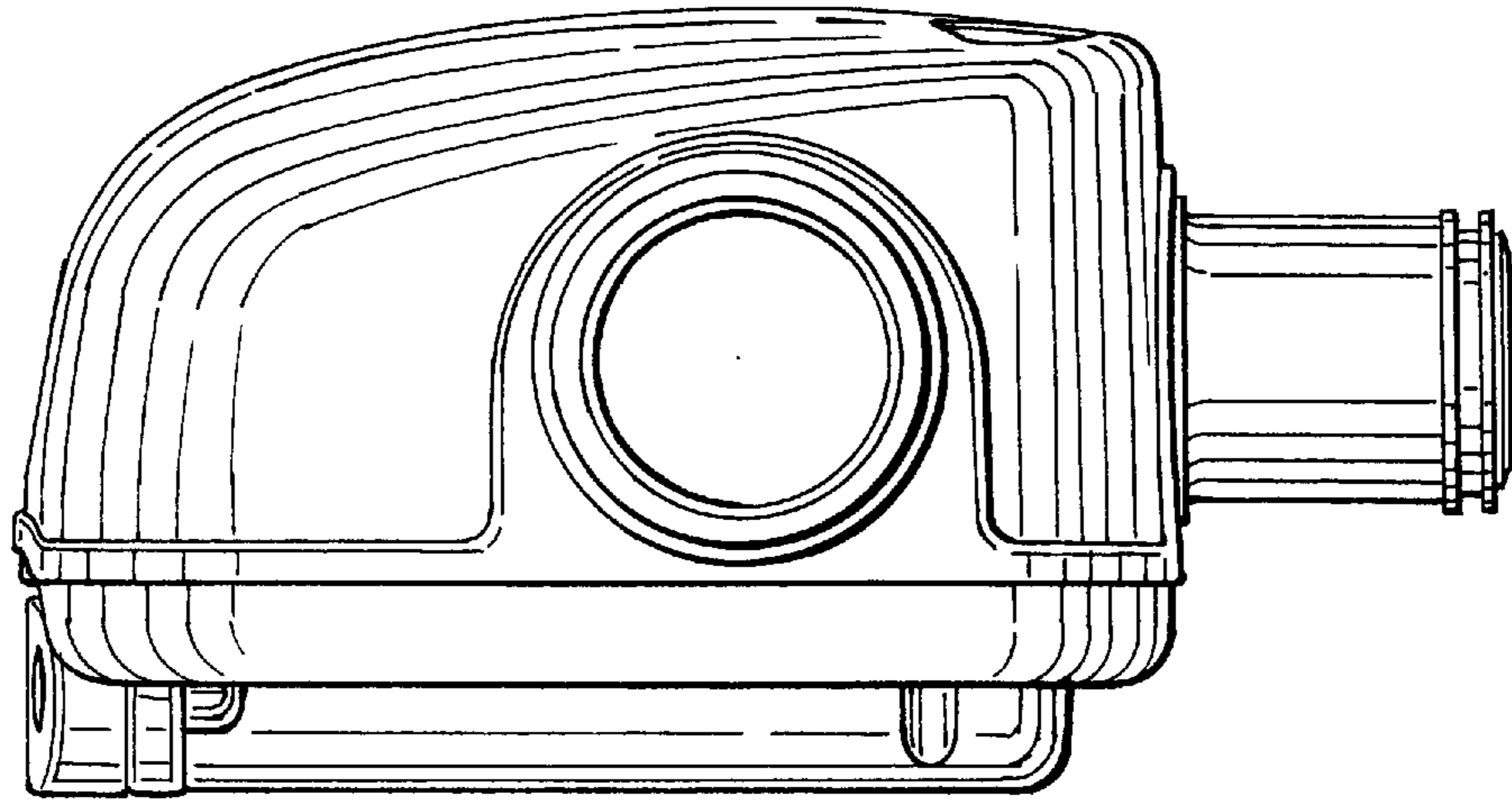


FIG.6

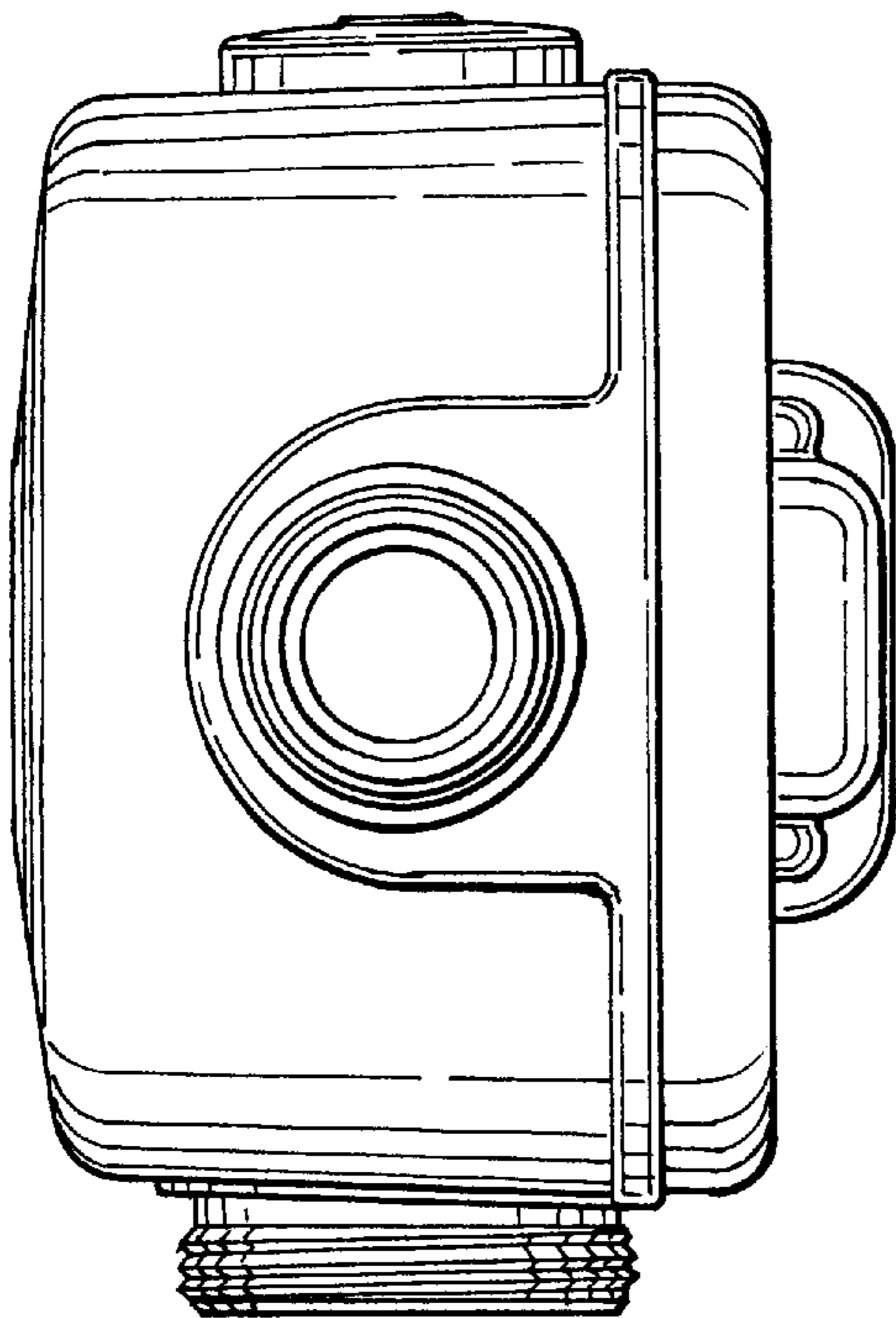


FIG.7

