



US00D452897B1

(12) **United States Design Patent**  
**Gillette et al.**

(10) **Patent No.:** **US D452,897 S**  
(45) **Date of Patent:** **\*\* Jan. 8, 2002**

- (54) **PAN HEAD SHOWER HEAD**
- (75) Inventors: **William J. Gillette; Timothy A. Bachman**, both of Fort Collins, CO (US)
- (73) Assignee: **Water Pik, Inc.**, Fort Collins, CO (US)
- (\*\*) Term: **14 Years**
- (21) Appl. No.: **29/133,989**
- (22) Filed: **Dec. 12, 2000**
- (51) **LOC (7) Cl.** ..... **23-01**
- (52) **U.S. Cl.** ..... **D23/223; D23/213**
- (58) **Field of Search** ..... **D23/213, 223, D23/226, 229-230; 239/394, 462**

4,165,837 A	8/1979	Rundzaitis	.....	239/449
4,174,822 A	11/1979	Larsson		
4,209,132 A	6/1980	Kwan	.....	239/381
D255,626 S	7/1980	Grube		
D258,677 S	3/1981	Larsson		
4,254,914 A	3/1981	Shames et al.	.....	239/383
D261,300 S	10/1981	Klose	.....	D23/35
D261,417 S	10/1981	Klose	.....	D23/213
4,303,201 A	12/1981	Elkins et al.	.....	239/391
4,319,608 A	3/1982	Raikov et al.	.....	251/126
D266,212 S	9/1982	Haug		
D267,582 S	1/1983	Mackay et al.		
D268,611 S	4/1983	Klose		

(List continued on next page.)

**FOREIGN PATENT DOCUMENTS**

DE	3440901	7/1985
EP	726811	8/1996
FR	873808	7/1942
FR	1039750	10/1953
GB	2066704	7/1981

(56) **References Cited**

**U.S. PATENT DOCUMENTS**

204,333 A	5/1878	Josias		
566,384 A	8/1896	Engelhart		
1,203,466 A	10/1916	Benson		
1,459,582 A	6/1923	Dubee		
2,216,149 A	10/1940	Weiss		
D126,433 S	4/1941	Enthof		
2,567,642 A	9/1951	Penshaw	.....	299/141
3,098,508 A	7/1963	Gerdes	.....	137/625.32
3,404,410 A	10/1968	Sumida		
3,550,863 A	12/1970	McDermott	.....	239/562
3,826,454 A	7/1974	Zieger		
3,865,310 A	2/1975	Elkins et al.		
D237,708 S	11/1975	Grohe et al.	.....	D23/35
3,967,783 A	7/1976	Halsted et al.	.....	239/447
3,979,096 A	9/1976	Zieger		
3,998,390 A	12/1976	Peterson et al.	.....	239/443
D245,858 S	9/1977	Grube	.....	D23/35
D245,860 S	9/1977	Grube	.....	D23/35
4,081,135 A	3/1978	Tomaro	.....	239/102
4,084,271 A	4/1978	Ginsberg	.....	4/161
4,091,998 A	5/1978	Peterson		
4,117,979 A	10/1978	Lagarelli et al.	.....	239/449
D251,045 S	2/1979	Grube		
4,151,955 A	5/1979	Stouffer	.....	239/11
4,151,957 A	5/1979	Gecewicz et al.	.....	239/381

**OTHER PUBLICATIONS**

Color Copy, Labeled 1A, Gemlo, available at least as early as the filing date.

Color Copy, Labeled 1B, Gemlo, available at least as early as the filing date.

*Primary Examiner*—Robin V. Taylor

(74) *Attorney, Agent, or Firm*—Dorsey & Whitney LLP

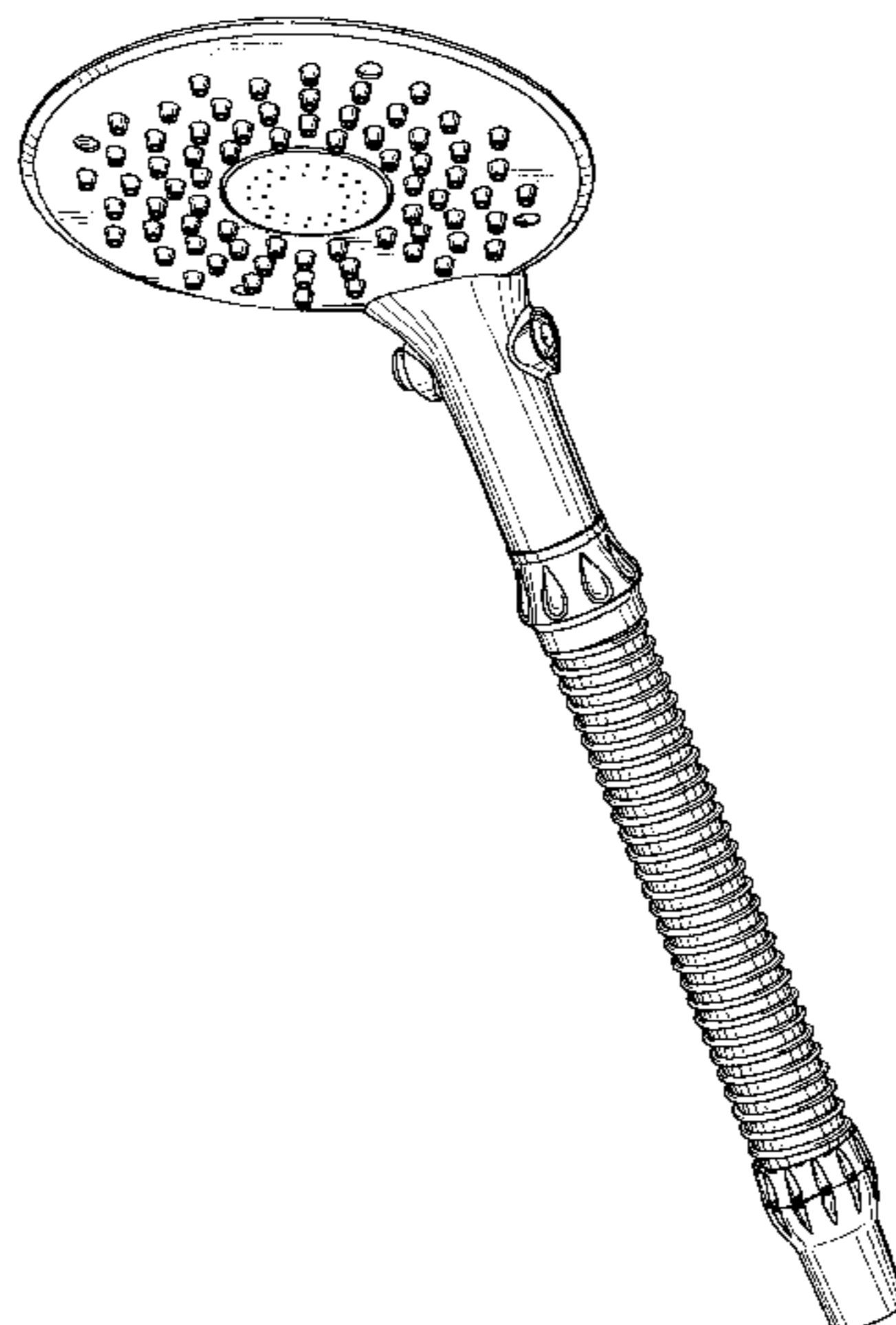
(57) **CLAIM**

The ornamental design for a pan head shower head, as shown and described.

**DESCRIPTION**

FIG. 1 is a right-side perspective view of a pan head shower head showing our new design;  
FIG. 2 is a bottom plan view thereof;  
FIG. 3 is a right side elevation view thereof, of which the left side elevation view is a mirror image;  
FIG. 4 is a front elevation view thereof;  
FIG. 5 is a rear elevation view thereof; and,  
FIG. 6 is a top plan view thereof.

**1 Claim, 6 Drawing Sheets**



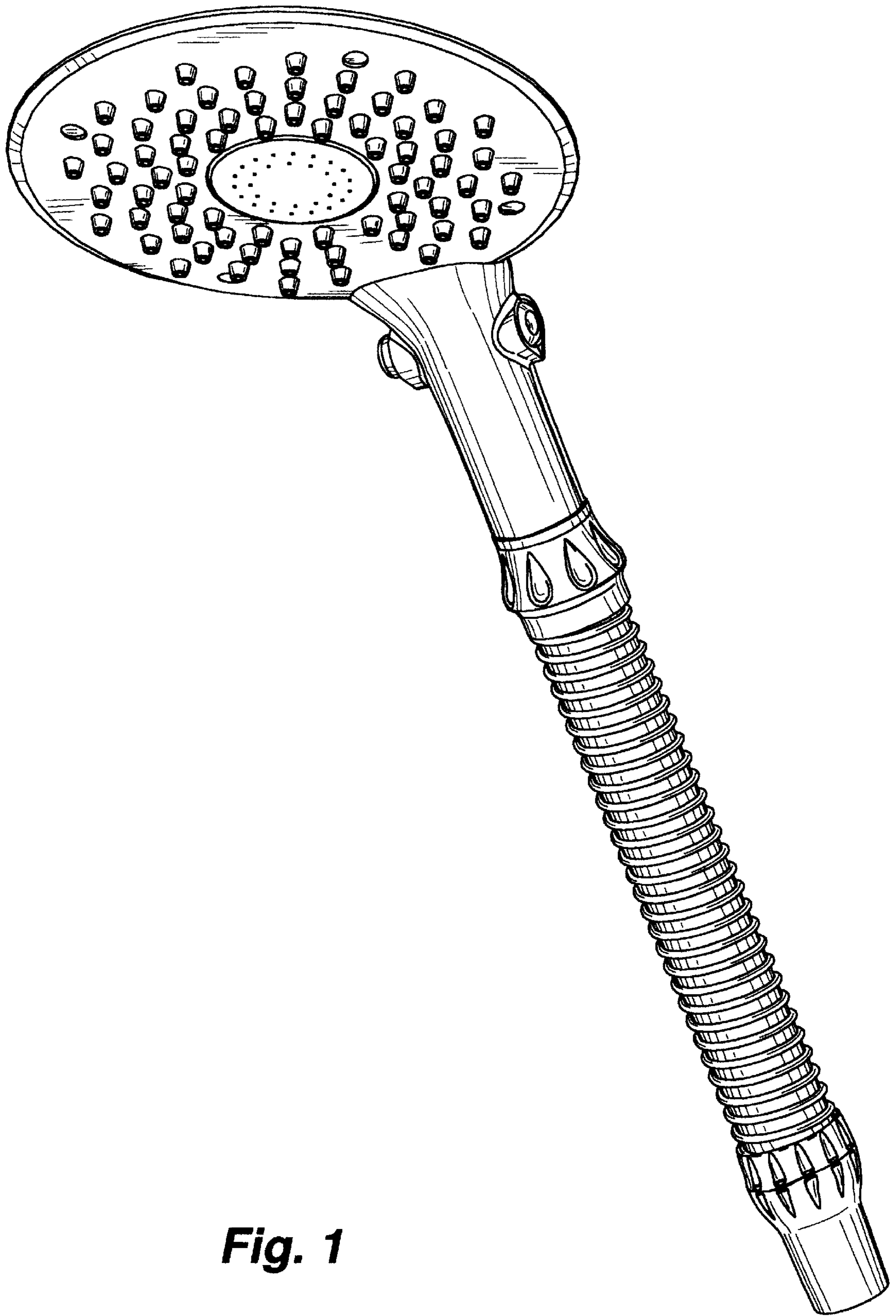
# US D452,897 S

Page 2

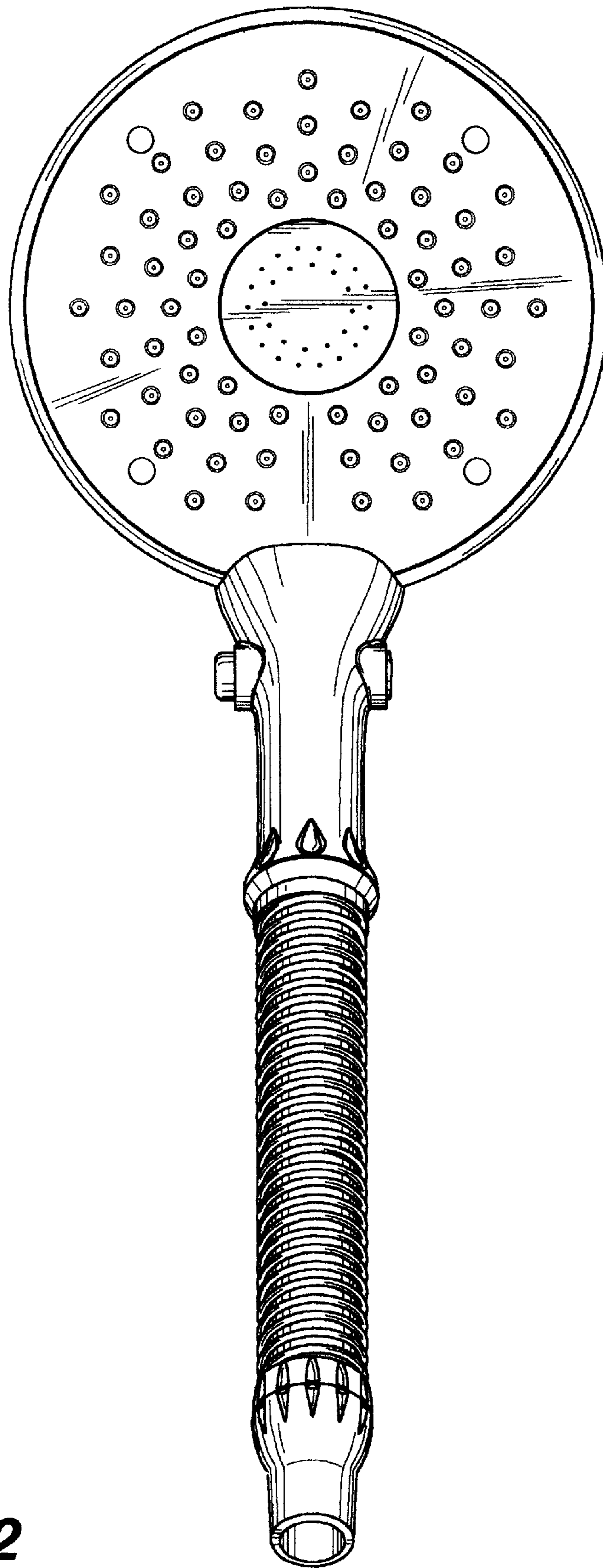
## U.S. PATENT DOCUMENTS

D274,457 S	6/1984	Haug		5,297,735 A	3/1994	Heimann et al.
4,614,303 A	9/1986	Moseley, Jr. et al. ....	239/499	D347,265 S	5/1994	Gottwald
4,657,185 A	4/1987	Rundzaitis .....	239/438	D348,720 S	7/1994	Haug et al. .... D23/223
4,703,893 A	11/1987	Gruber .....	239/391	D349,947 S	8/1994	Hing-Wah .....
4,719,654 A	1/1988	Blessing		5,340,064 A	8/1994	Heimann et al.
D295,437 S	4/1988	Fabian		5,344,080 A	9/1994	Matsui .....
D296,582 S	7/1988	Haug et al.		D352,347 S	11/1994	Dannenburg .....
4,754,928 A	7/1988	Rogers et al. ....	239/381	D355,703 S	2/1995	Duell
4,787,591 A	11/1988	Villacorta		5,397,064 A	3/1995	Heitzman .....
4,914,759 A	4/1990	Goff		5,398,872 A	3/1995	Joubran .....
4,953,585 A	9/1990	Rollini et al. ....	137/218	5,433,384 A	7/1995	Chan et al.
4,964,573 A	10/1990	Lipski		D361,623 S	8/1995	Huen
D313,267 S	12/1990	Lenci et al. ....	D23/213	5,476,225 A	12/1995	Chan
D315,191 S	3/1991	Mikol .....	D23/213	5,481,765 A	1/1996	Wang
D317,348 S	6/1991	Geneve et al.		D367,315 S	2/1996	Andrus
5,033,897 A	7/1991	Chen .....	137/218	D367,696 S	3/1996	Andrus .....
D322,119 S	12/1991	Haug et al.		5,499,767 A	3/1996	Morand .....
D325,769 S	4/1992	Haug et al. ....	D23/213	D369,204 S	4/1996	Andrus
D325,770 S	4/1992	Haug et al. ....	D23/213	D369,205 S	4/1996	Andrus
D326,311 S	5/1992	Lenci et al. ....	D23/223	5,507,436 A	4/1996	Ruttenberg .....
D327,729 S	7/1992	Rogers .....	D23/223	D370,052 S	5/1996	Chan et al. ....
D328,944 S	* 8/1992	Robbins .....	D23/213	5,551,637 A	9/1996	Lo .....
5,141,016 A	8/1992	Nowicki .....	137/872	5,558,278 A	9/1996	Gallorini .....
D330,408 S	* 10/1992	Thacker .....	D23/223	D374,271 S	10/1996	Fleischmann
D330,409 S	10/1992	Raffo		D375,541 S	11/1996	Michaluk .....
5,172,866 A	12/1992	Ward .....	239/446	5,577,664 A	11/1996	Heitzman .....
D332,303 S	1/1993	Klose		5,613,639 A	3/1997	Storm et al. ....
D332,994 S	2/1993	Huen .....	D23/223	5,632,049 A	5/1997	Chen
D333,339 S	2/1993	Klose		D381,737 S	7/1997	Chan .....
D334,794 S	4/1993	Klose		D382,936 S	8/1997	Shfaram
D335,171 S	* 4/1993	Lenci et al. ....	D23/223	5,653,260 A	8/1997	Huber
5,232,162 A	8/1993	Chih .....	239/394	D385,332 S	10/1997	Andrus
D339,492 S	9/1993	Klose		D385,333 S	10/1997	Caroen et al.
D339,627 S	9/1993	Klose		D385,616 S	10/1997	Dow et al. ....
D339,848 S	9/1993	Gottwald		D385,947 S	11/1997	Dow et al. ....
5,246,169 A	9/1993	Heimann et al. ....	239/447	D387,230 S	12/1997	von Beulow et al.
D340,376 S	10/1993	Klose		D389,558 S	1/1998	Andrus
D341,007 S	11/1993	Haug et al.		5,704,080 A	1/1998	Kuhne
D341,191 S	11/1993	Klose		5,718,380 A	2/1998	Schorn et al. ....
5,265,833 A	11/1993	Heimann et al.		5,749,552 A	5/1998	Fan
5,277,391 A	1/1994	Haug et al.		D395,074 S	6/1998	Neibrook .....
5,294,054 A	3/1994	Benedict et al. ....	239/446	5,918,811 A	7/1999	Denham et al. ....

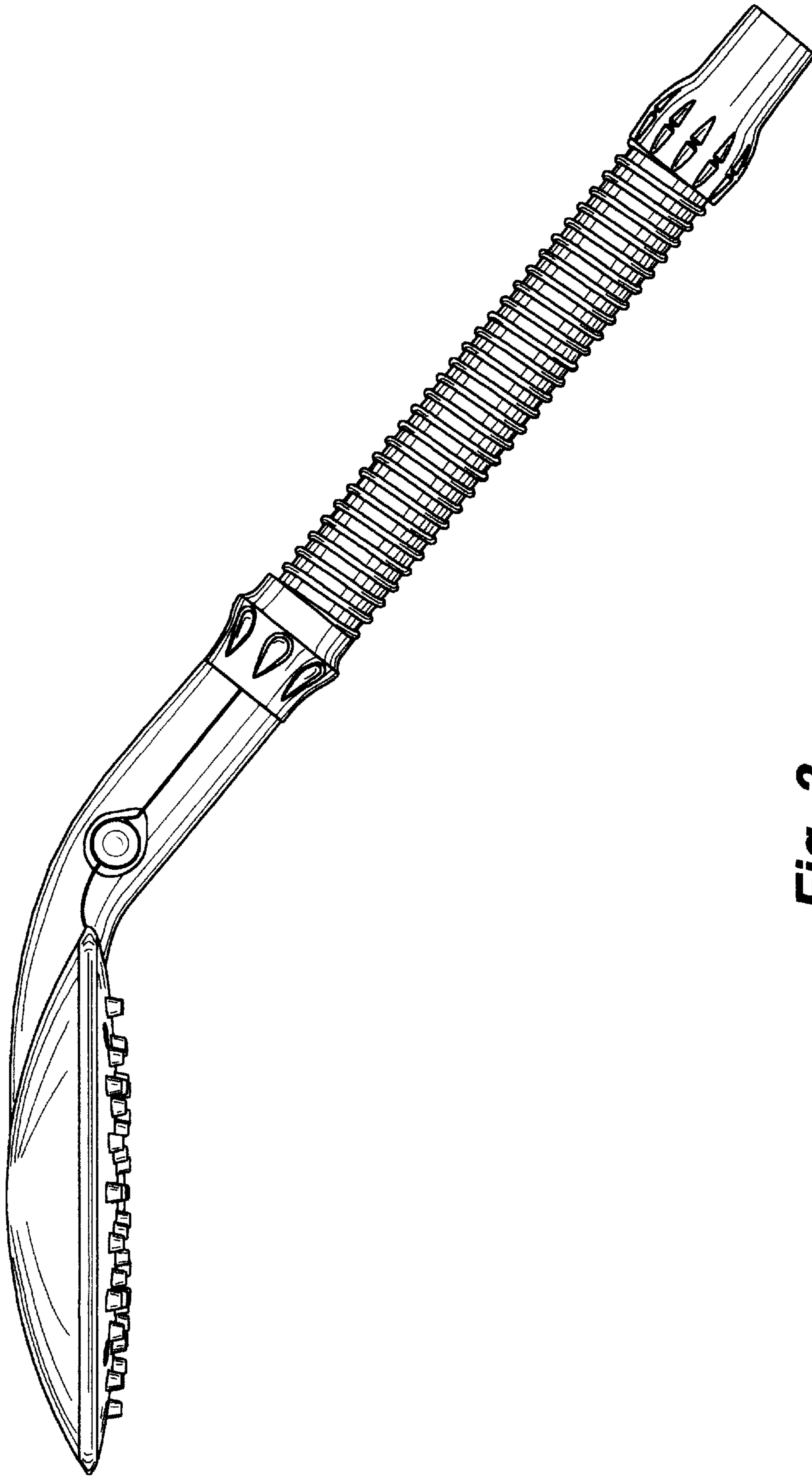
\* cited by examiner



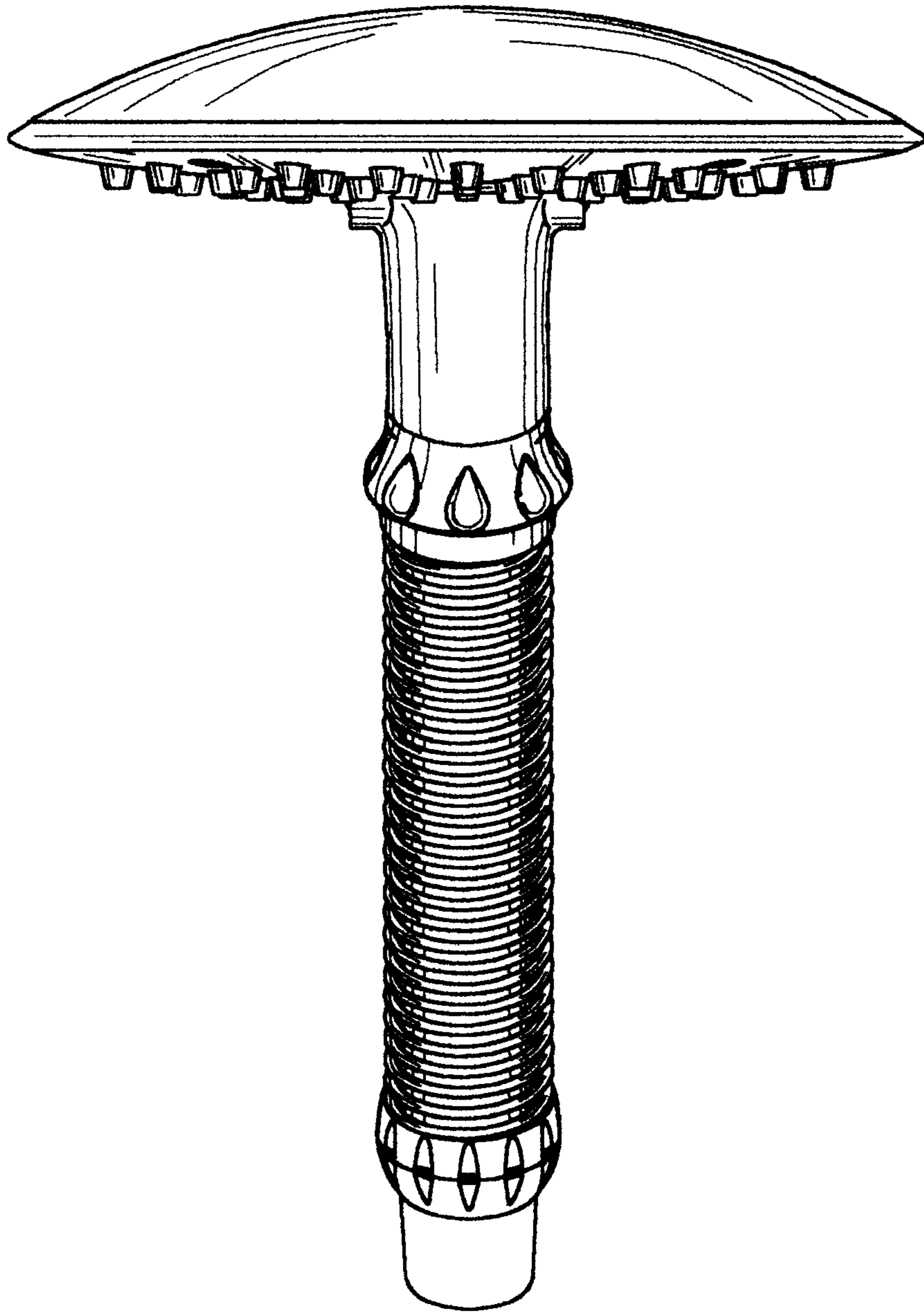
**Fig. 1**



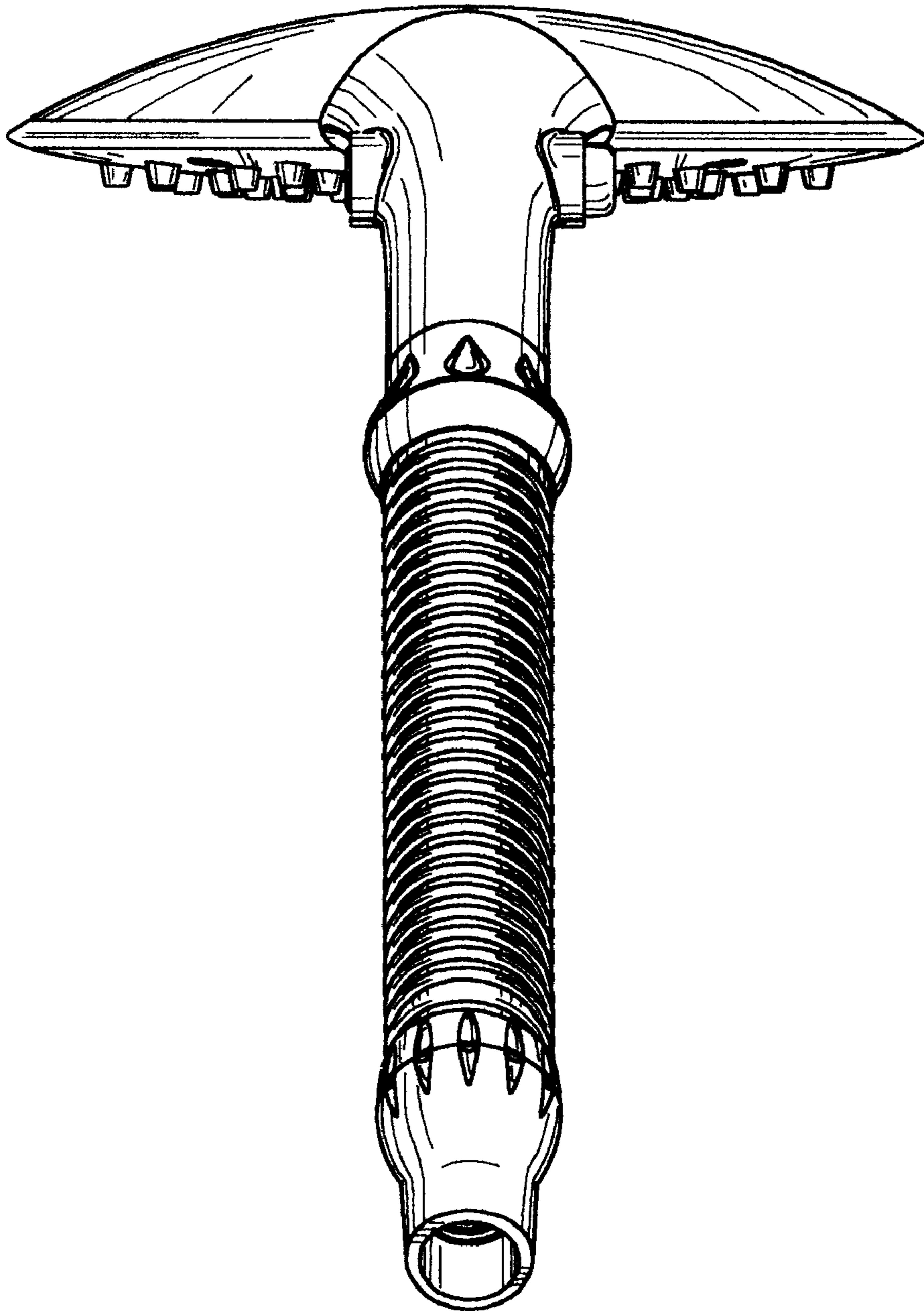
**Fig. 2**



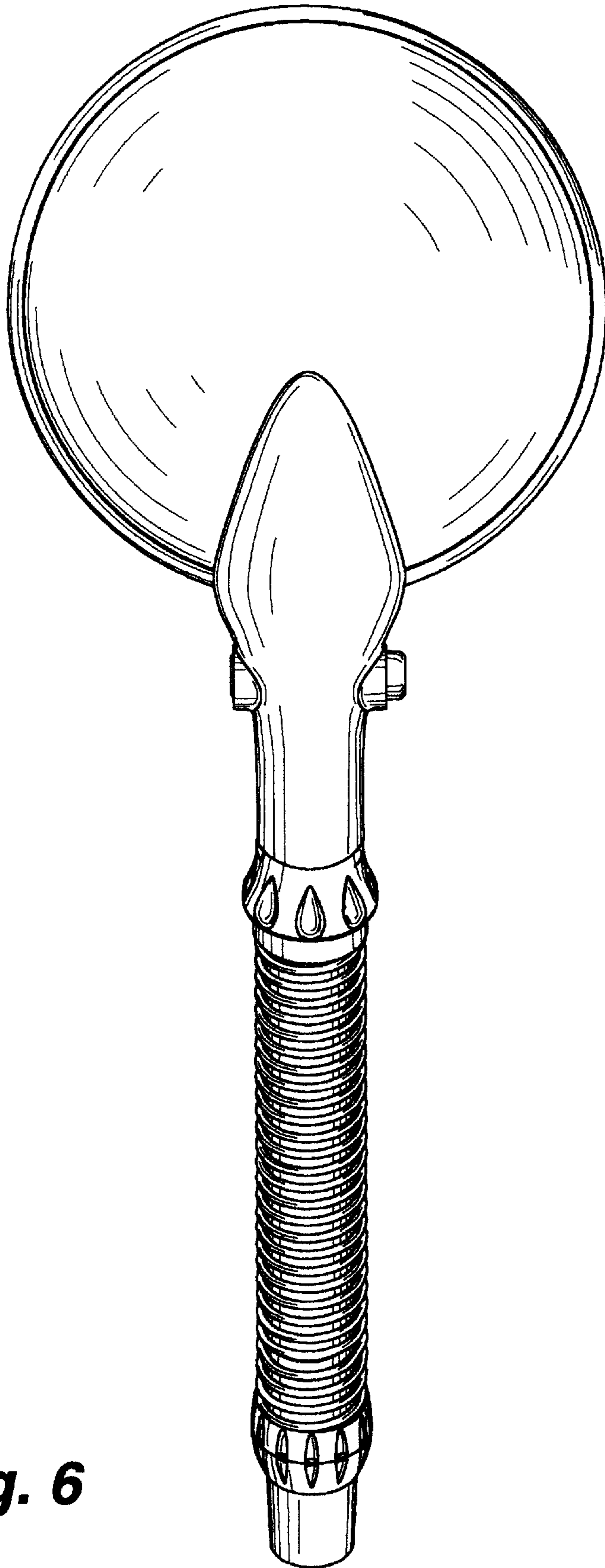
**Fig. 3**



**Fig. 4**



**Fig. 5**



**Fig. 6**