



US00D452892B1

(12) **United States Design Patent**
Frisina et al.

(10) **Patent No.: US D452,892 S**

(45) **Date of Patent: ** Jan. 8, 2002**

(54) **FOOTBALL**

(76) Inventors: **Ralph Frisina**, 14 Arlington St.,
Pittsfield, MA (US) 01201; **Michael
Coakley**, 58 East St.; **Nathan B.
Winstanley**, 271 Pittsfield Rd., both of
Lenox, MA (US) 01240

(**) Term: **14 Years**

(21) Appl. No.: **29/136,413**

(22) Filed: **Jan. 31, 2001**

(51) **LOC (7) Cl. 21-02**

(52) **U.S. Cl. D21/712**

(58) **Field of Search D21/713; 473/569,
473/593, 597-599, 603**

(56) **References Cited**

U.S. PATENT DOCUMENTS

D264,741 S	6/1982	Patton	
4,337,944 A	7/1982	Massino	
4,867,452 A	9/1989	Finley	
5,069,935 A	12/1991	Walters	
D354,102 S	1/1995	Lehman	
D355,230 S	2/1995	Brown	
D355,685 S	2/1995	Ross	
5,427,372 A	6/1995	Ratner et al.	
5,488,780 A	2/1996	Spiegel	
5,526,326 A *	6/1996	Fekete et al.	473/569 X
D375,129 S	10/1996	Daicos	
D384,716 S *	10/1997	Stevens	D21/712
5,676,611 A	10/1997	Foster et al.	
5,931,752 A	8/1999	Guenther et al.	

OTHER PUBLICATIONS

REGENT The Name In Games Catalog; Feb. 1995; p. 26,
Footballs No. 84104, 83208 and 83510.*
Spalding 1968 Premium Catalog; Cover page; Football.*
spalding.com/spaldingfootball.html; full size replica of
XFL game ball.*
Advertisement for Brown Collegiate Half Stripe football
within www.nike.com.
Description of Rawlings Varsity Durahyde Football within
www.rawlings.com.

Description of Youth Football within www.rawlings.com.
Description of Spalding All Weather Football within www.s-
palding.com.
U.S. Trademark application Ser. No. 75/522,766 for a rugby
football.
U.S. Trademark application Ser. No. 75/922,926 incorporat-
ing a football design.
U.S. Trademark application Ser. No. 74/320,924 incorporat-
ing a football design.
U.S. Trademark application Ser. No. 73/742,933 incorporat-
ing a football design.
U.S. Trademark application Ser. No. 74/366,499 incorporat-
ing a football design.
U.S. Trademark application Ser. No. 75/372,840 for toys and
other gift items.
Canadian trademark application 901,920 for a football and
design.
Canadian trademark application 555,895 for the promotion
of football in Canada.
Photographs of Franklin Sports GRIP-RITE football design
incorporating college logos, available for retail sale.

* cited by examiner

Primary Examiner—Dominic Simone
(74) *Attorney, Agent, or Firm*—Kirkpatrick & Lockhart
LLP

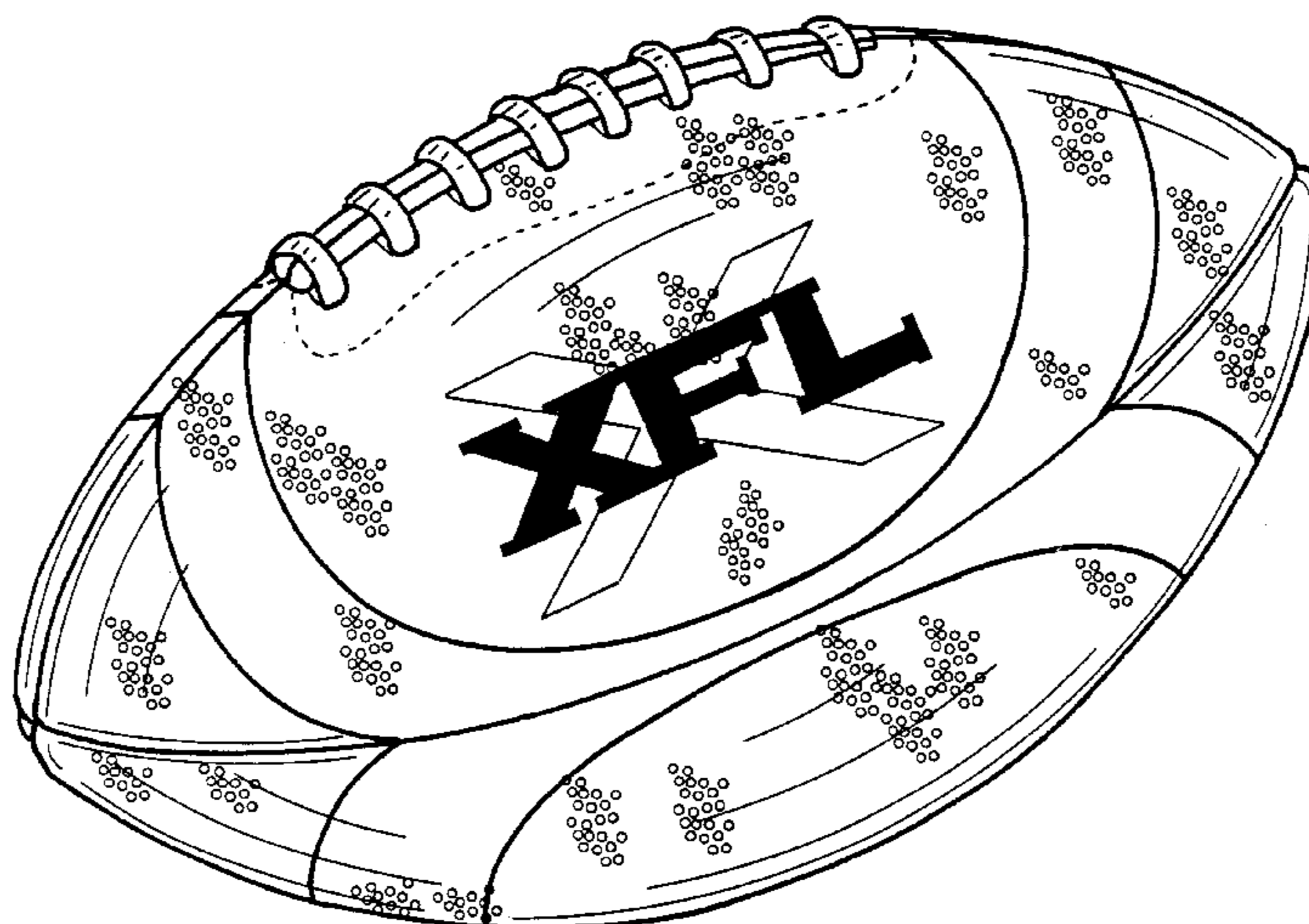
(57) **CLAIM**

The ornamental design for a football, as shown and
described.

DESCRIPTION

FIG. 1 is a side perspective view of a football of the present
invention;
FIG. 2 is a right side view of the football of FIG. 1;
FIG. 3 is a left side view of the football of FIG. 1;
FIG. 4 is a top view of the football of FIG. 1;
FIG. 5 is a bottom view of the football of FIG. 1;
FIG. 6 is a front end view of the football of FIG. 1; and,
FIG. 7 is a back end view of the football of FIG. 1.

1 Claim, 6 Drawing Sheets



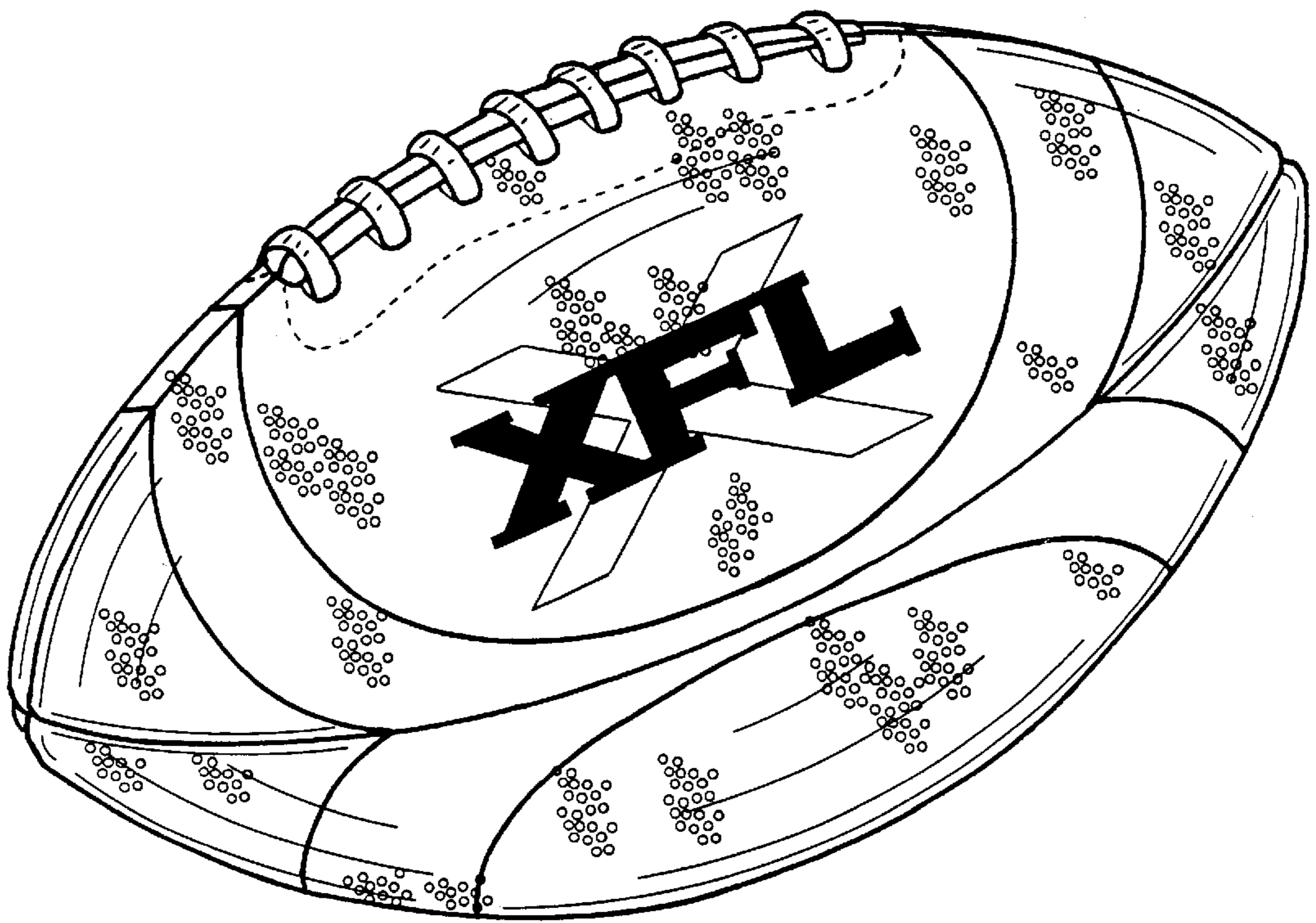


FIG. 1

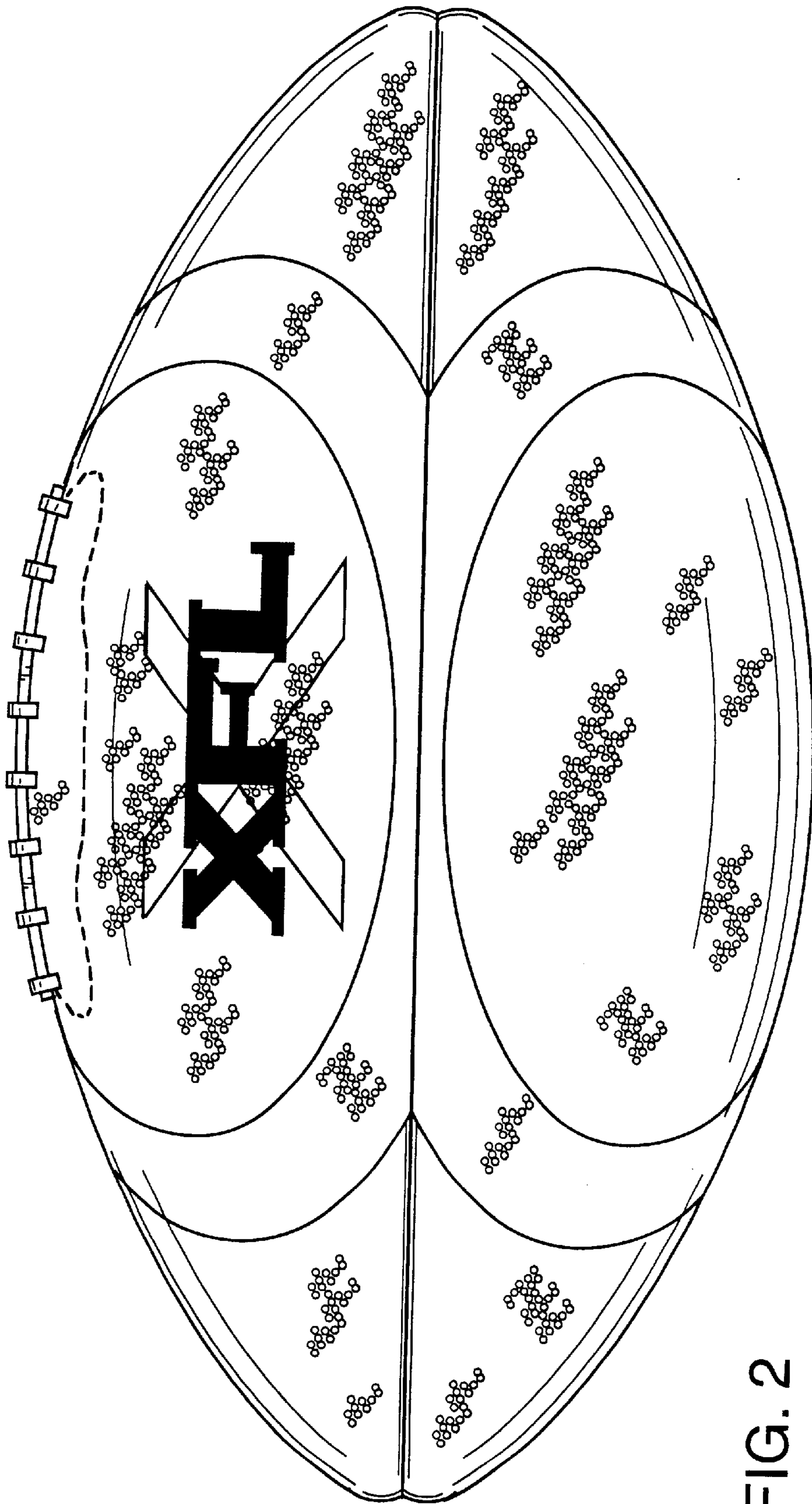


FIG. 2

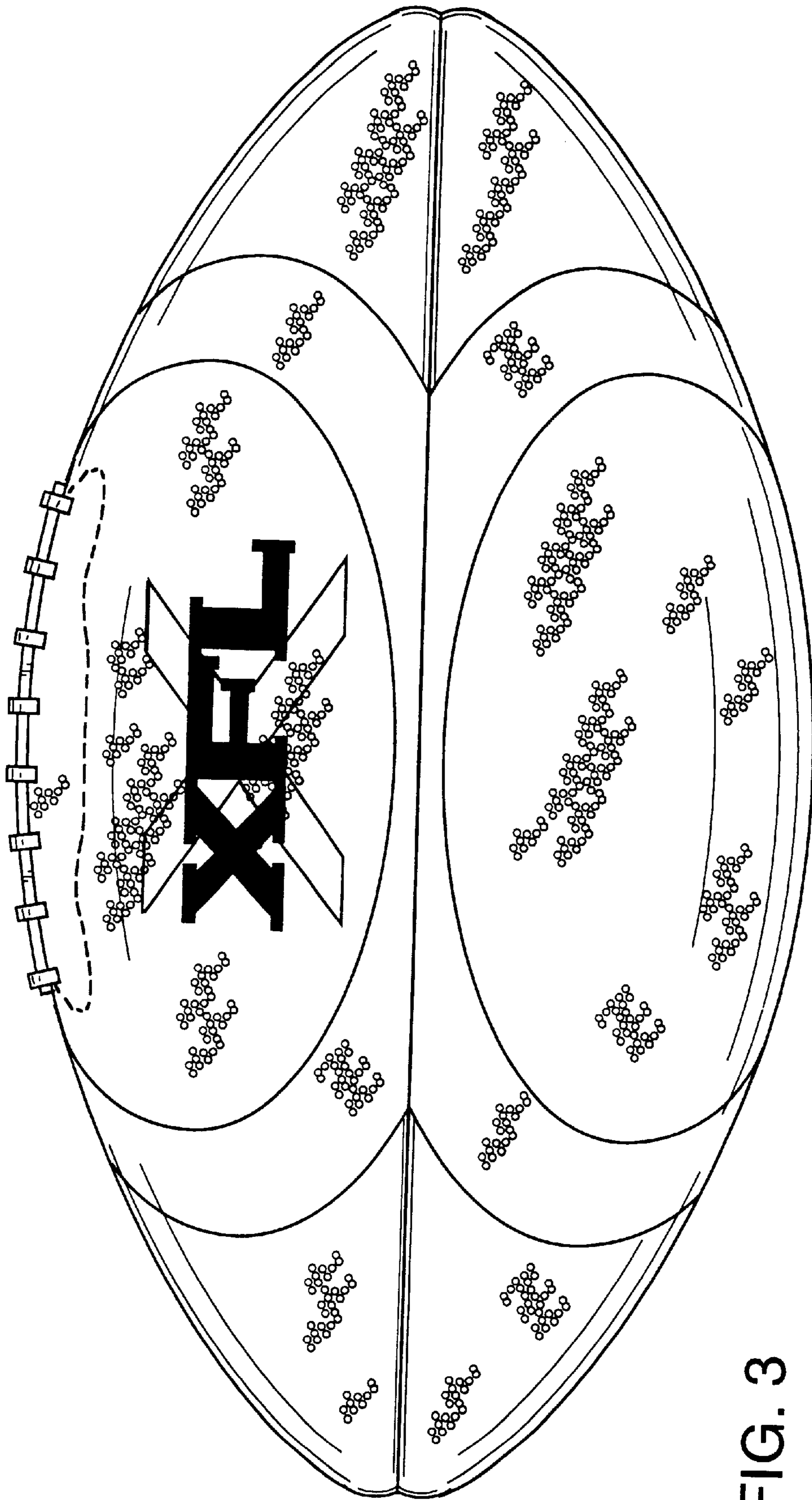


FIG. 3

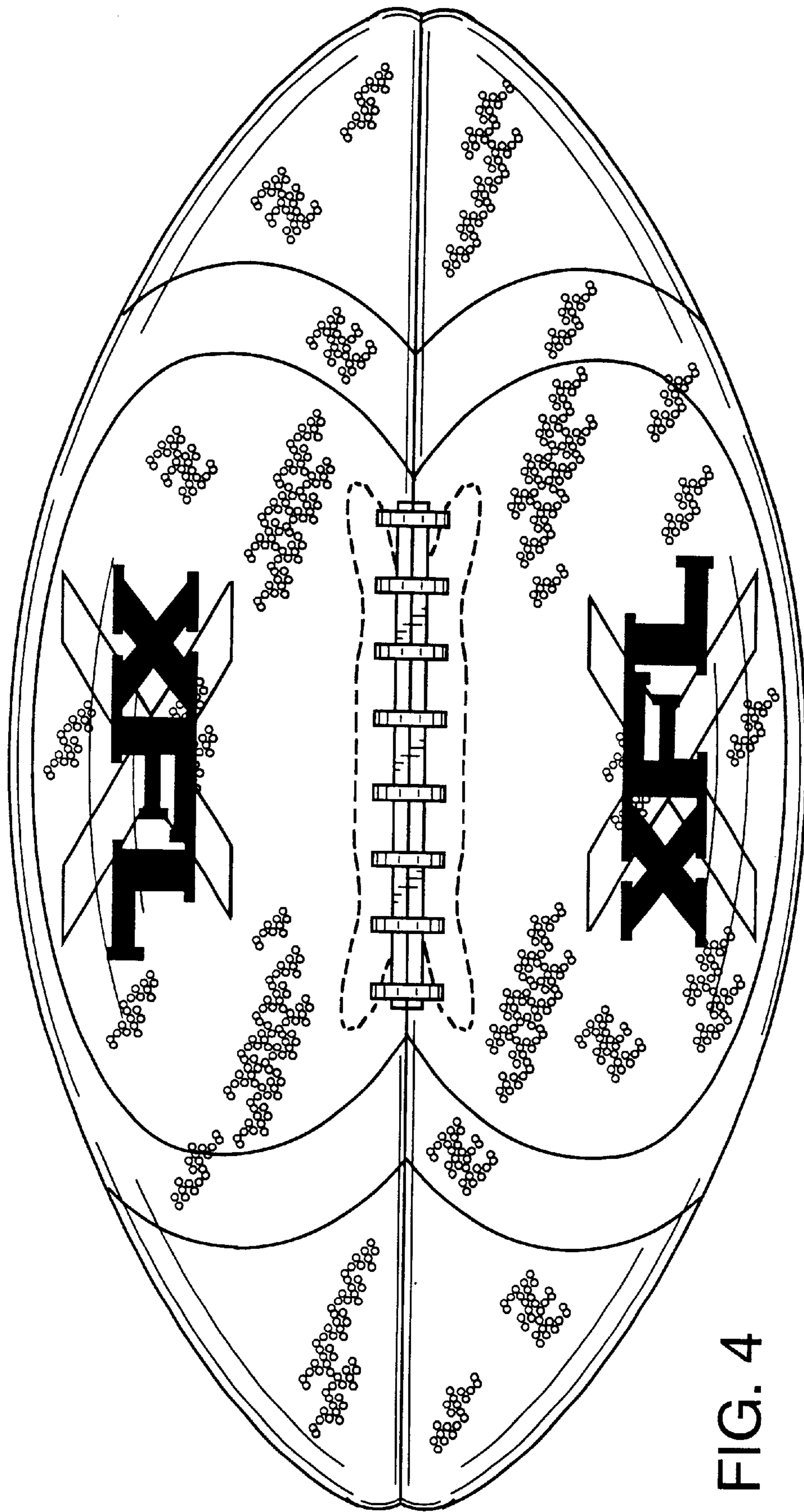


FIG. 4

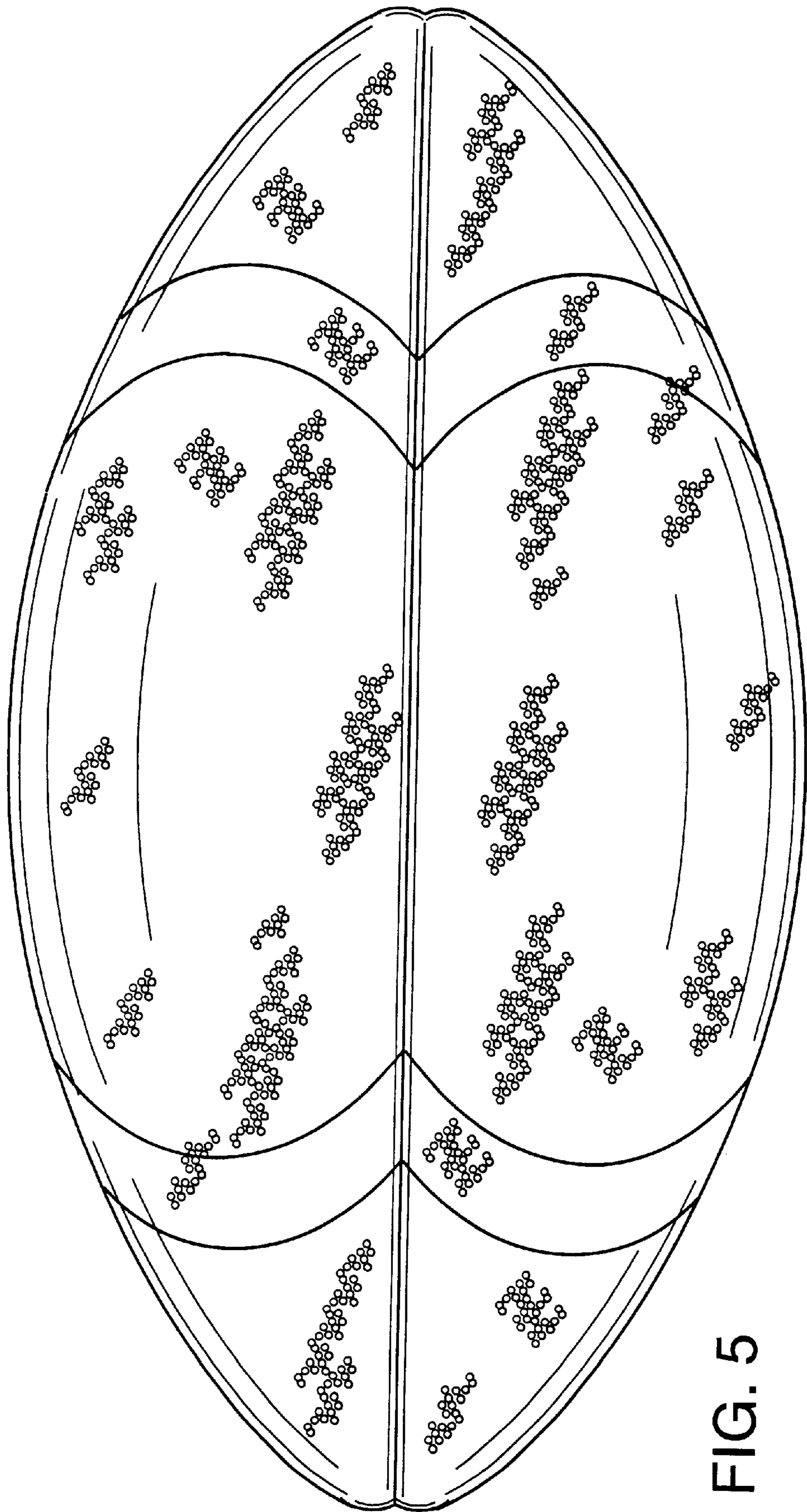


FIG. 5

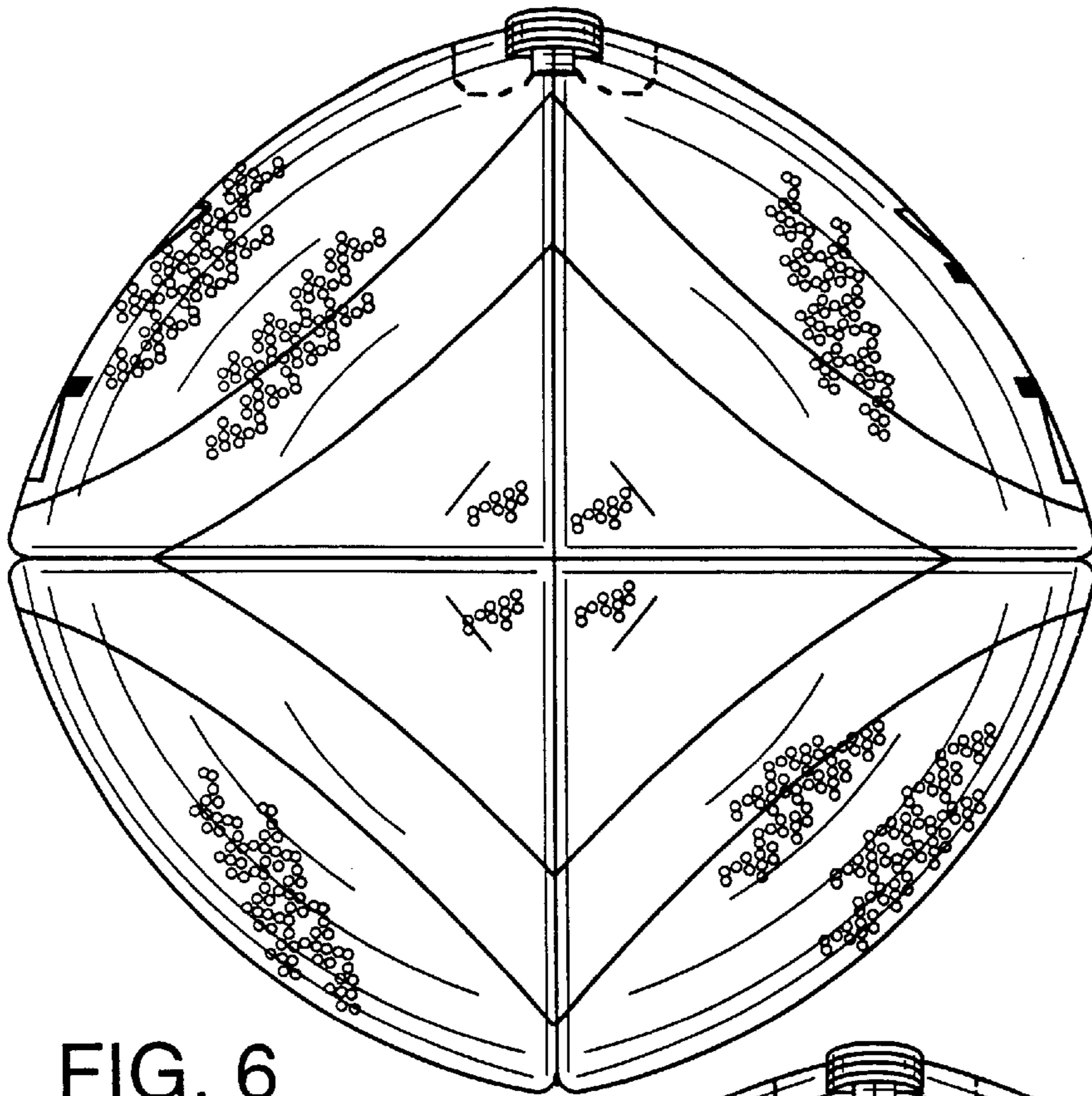


FIG. 6

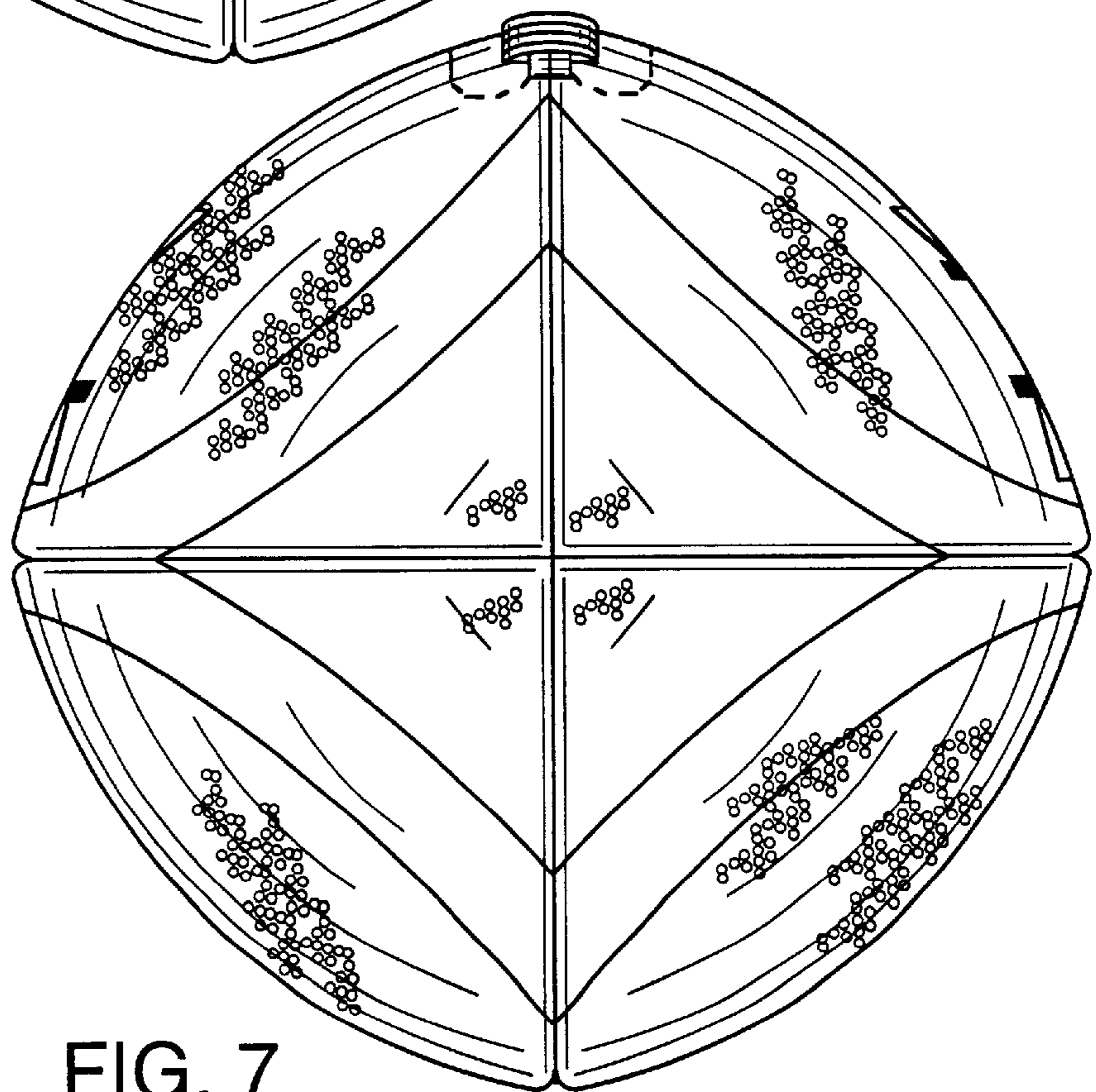


FIG. 7