



US00D452886B1

(12) **United States Design Patent**
Wang et al.

(10) **Patent No.:** **US D452,886 S**

(45) **Date of Patent:** **** Jan. 8, 2002**

(54) **KICKBOARD**

(76) Inventors: **Leao Wang; Peter Wu**, both of No 1,
Lane 233, Sec. 2, Charng Long Road,
Taiping (TW), 411

(**) Term: **14 Years**

(21) Appl. No.: **29/123,686**

(22) Filed: **May 24, 2000**

(51) **LOC (7) Cl.** **21-01**

(52) **U.S. Cl.** **D21/423**

(58) **Field of Search** D21/419, 421,
D21/423, 424, 426, 435, 533, 760, 765,
771; D12/107, 110-112; 280/87.01, 87.021,
87.041, 87.042; 180/181, 216

(56) **References Cited**

U.S. PATENT DOCUMENTS

1,274,889 A * 8/1918 Johnson 280/87.042
D208,791 S * 10/1967 Purdy D21/423

D292,221 S * 10/1987 Mueller D21/423
4,799,701 A * 1/1989 Lindau 280/87.041
4,828,284 A * 5/1989 Sandgren 280/87.041
D352,921 S * 11/1994 Pepe D21/423

* cited by examiner

Primary Examiner—Raphael Barkai

(74) *Attorney, Agent, or Firm*—Kuo-Hsiung Chiu

(57) **CLAIM**

The ornamental design for a kickboard, as shown.

DESCRIPTION

FIG. 1 is a perspective view of a kickboard showing our new design;

FIG. 2 is a front elevational view thereof;

FIG. 3 is a rear elevational view thereof;

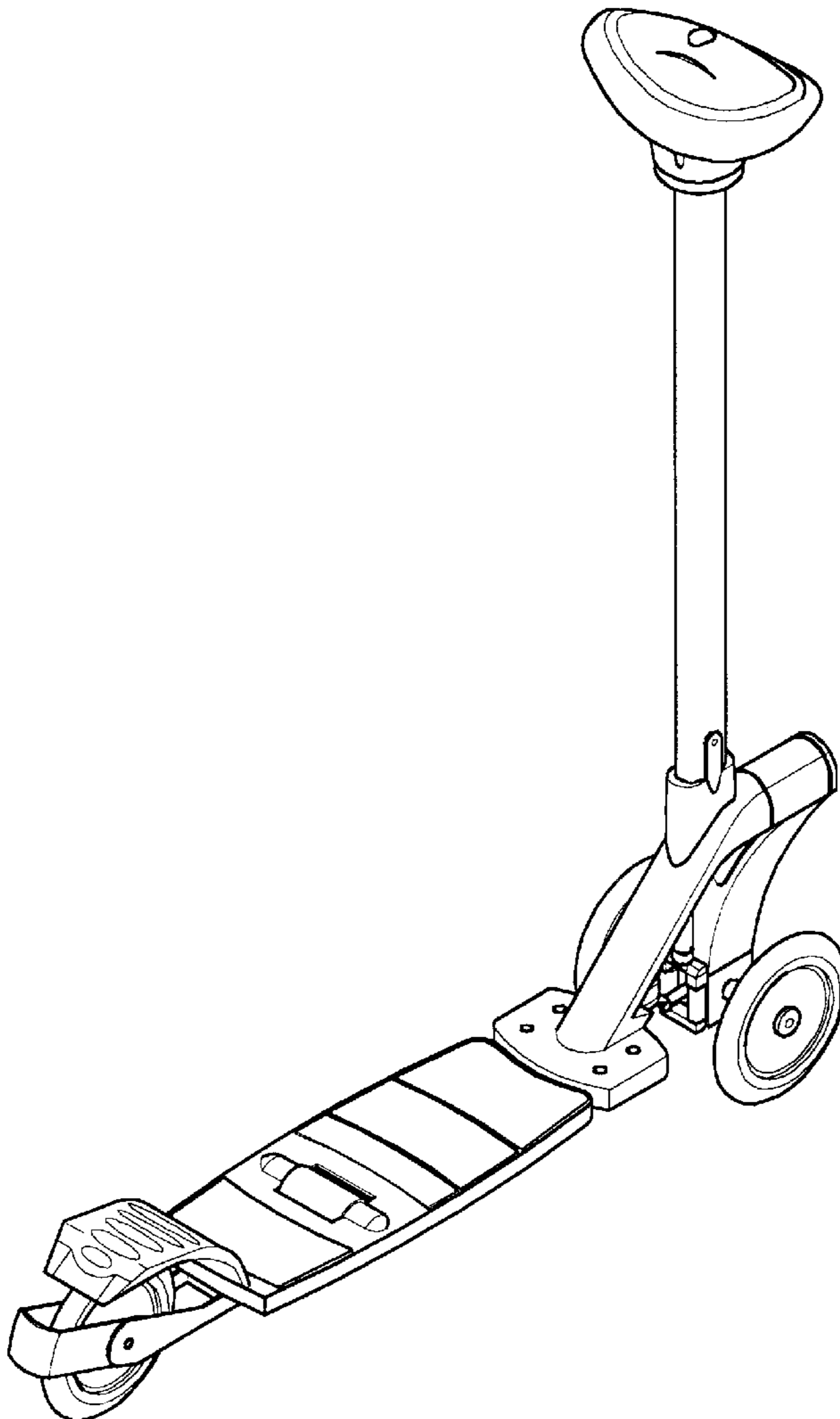
FIG. 4 is a left side elevational view thereof;

FIG. 5 is a right side elevational view thereof;

FIG. 6 is a top plan view thereof; and,

FIG. 7 is a bottom plan view thereof.

1 Claim, 6 Drawing Sheets



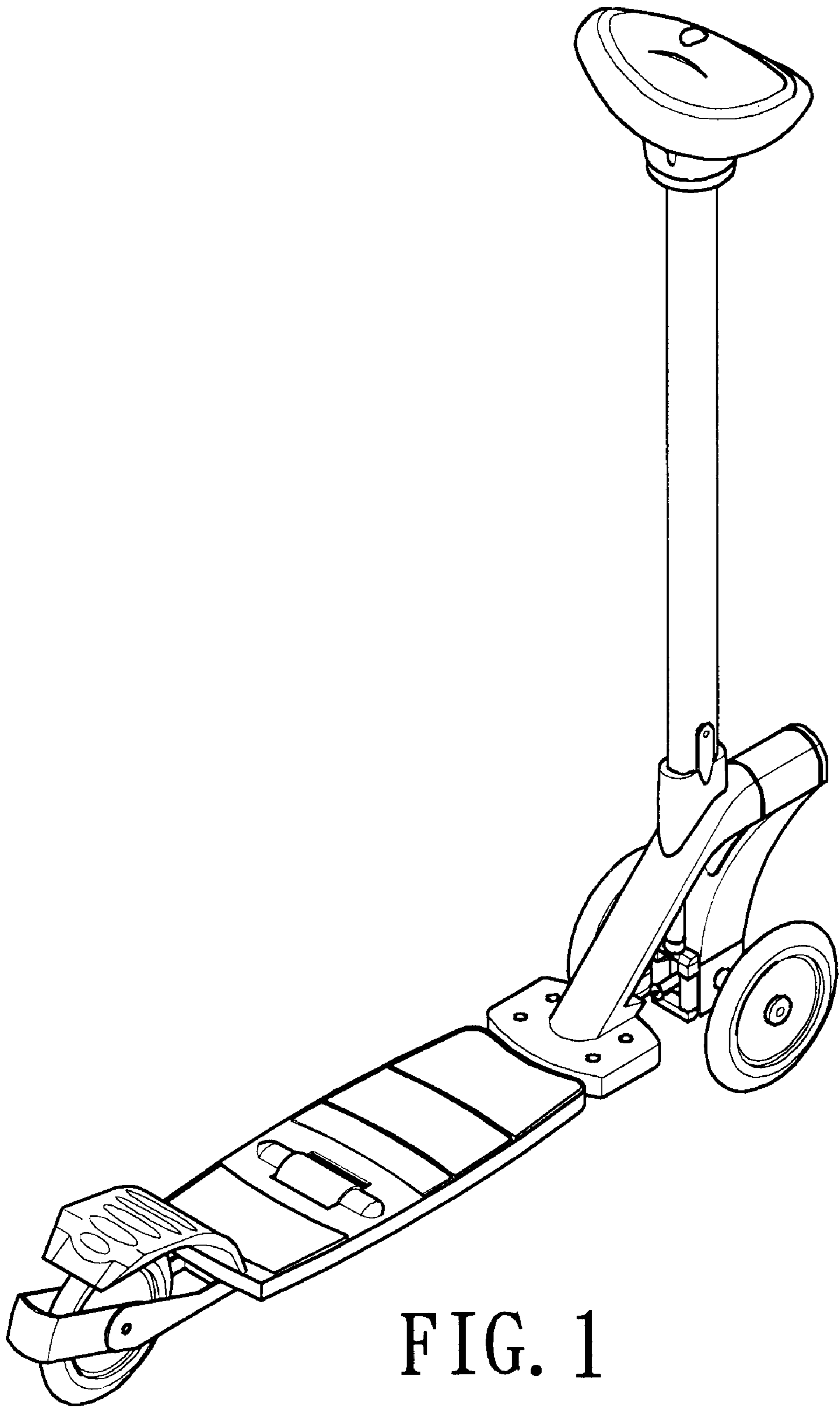


FIG. 1

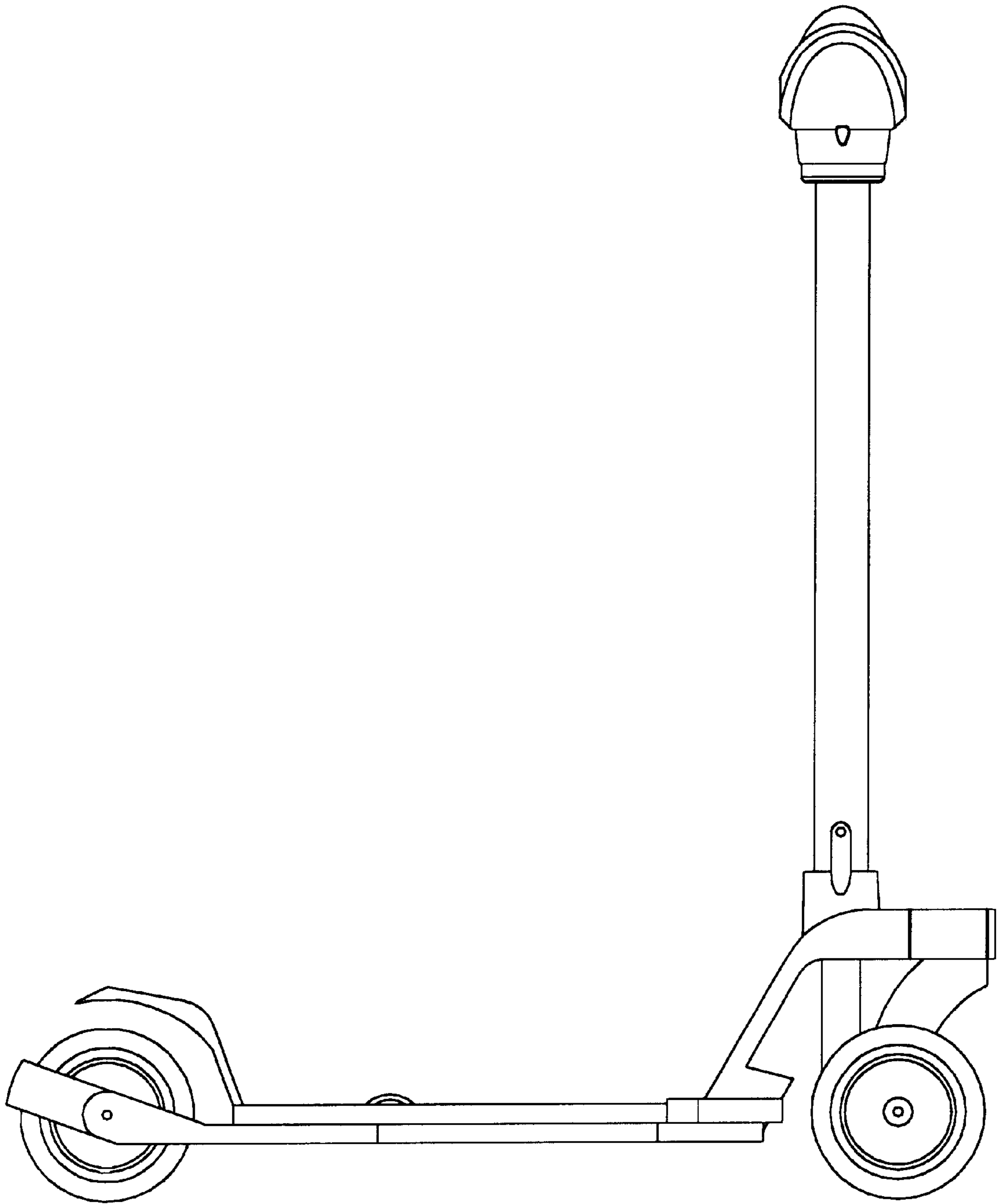


FIG. 2

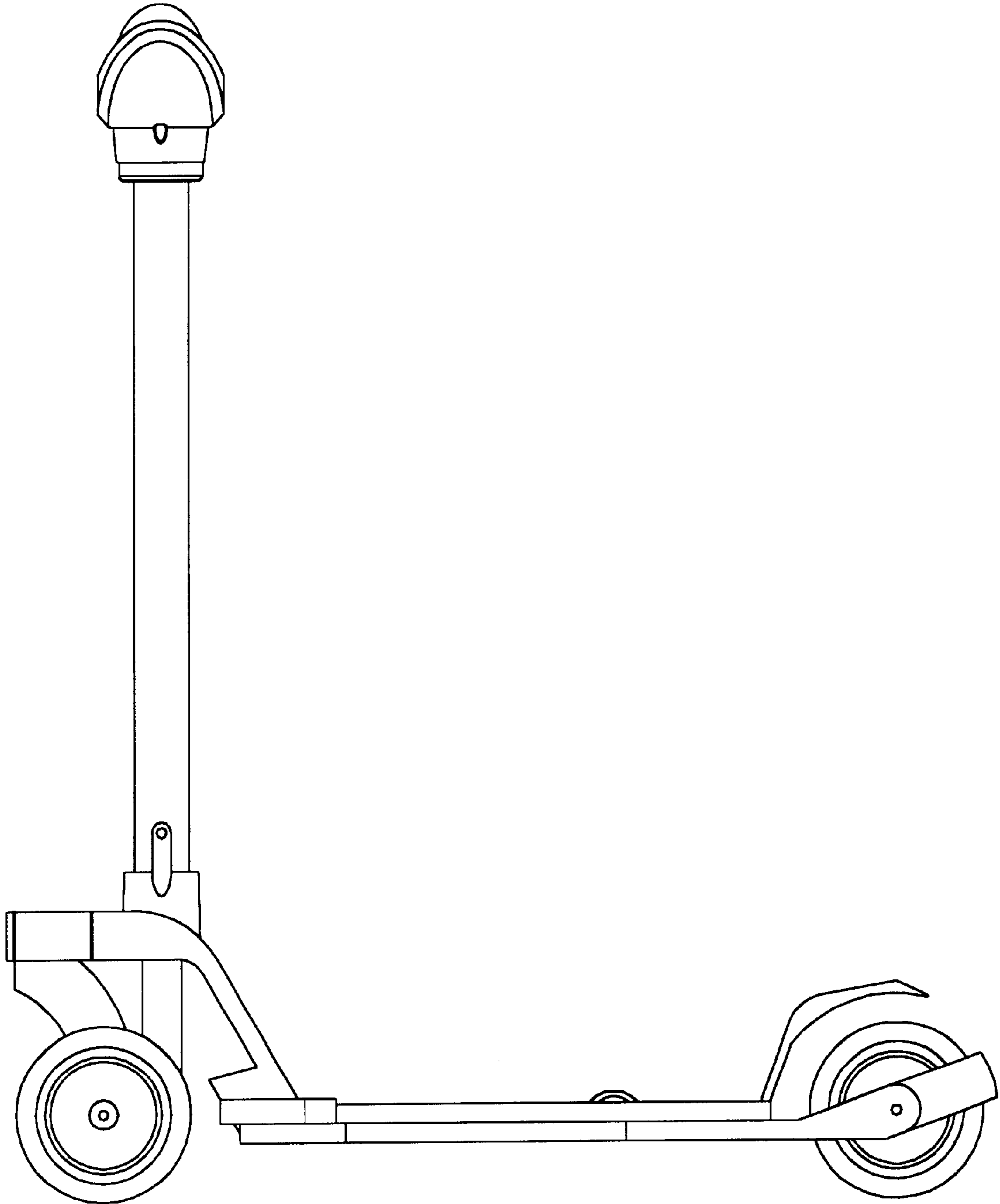


FIG. 3

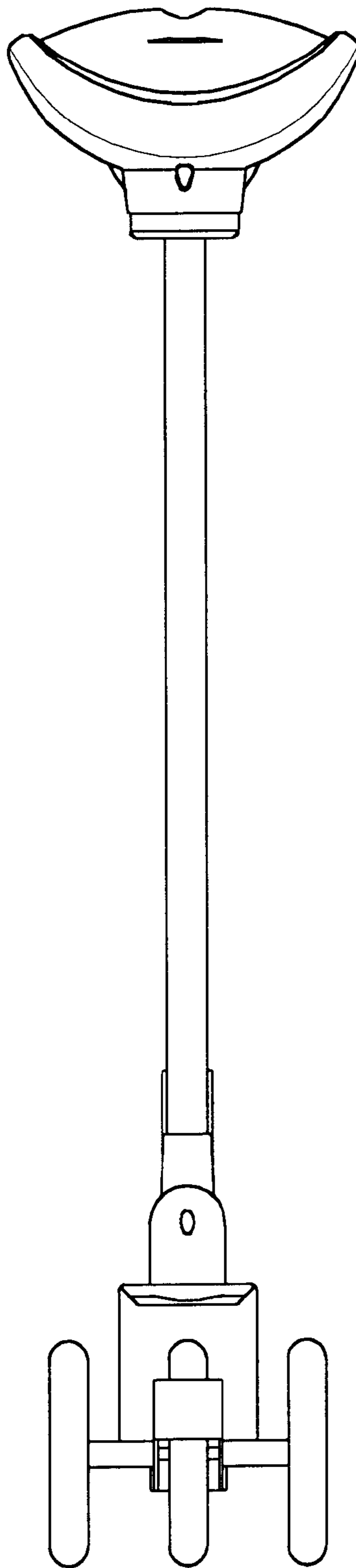


FIG. 4

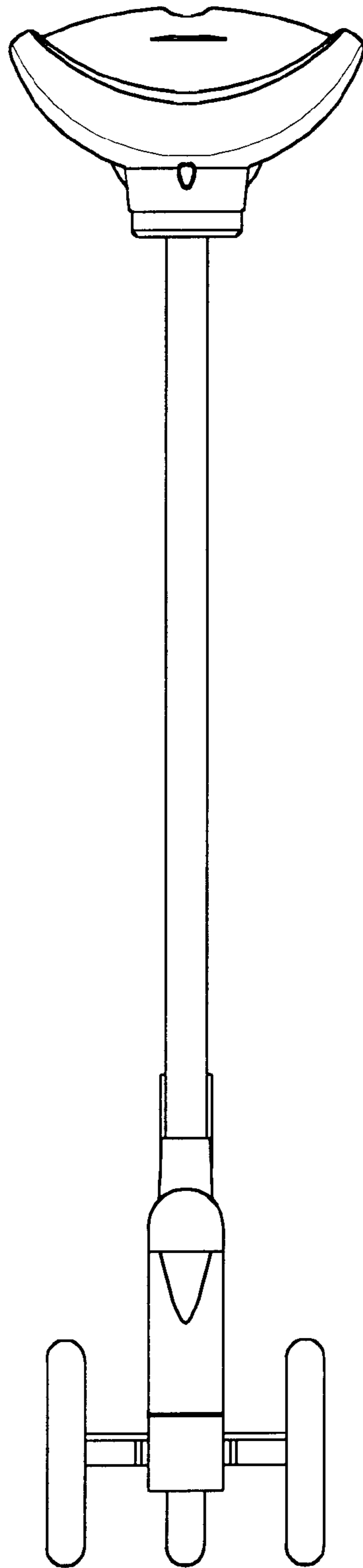


FIG. 5

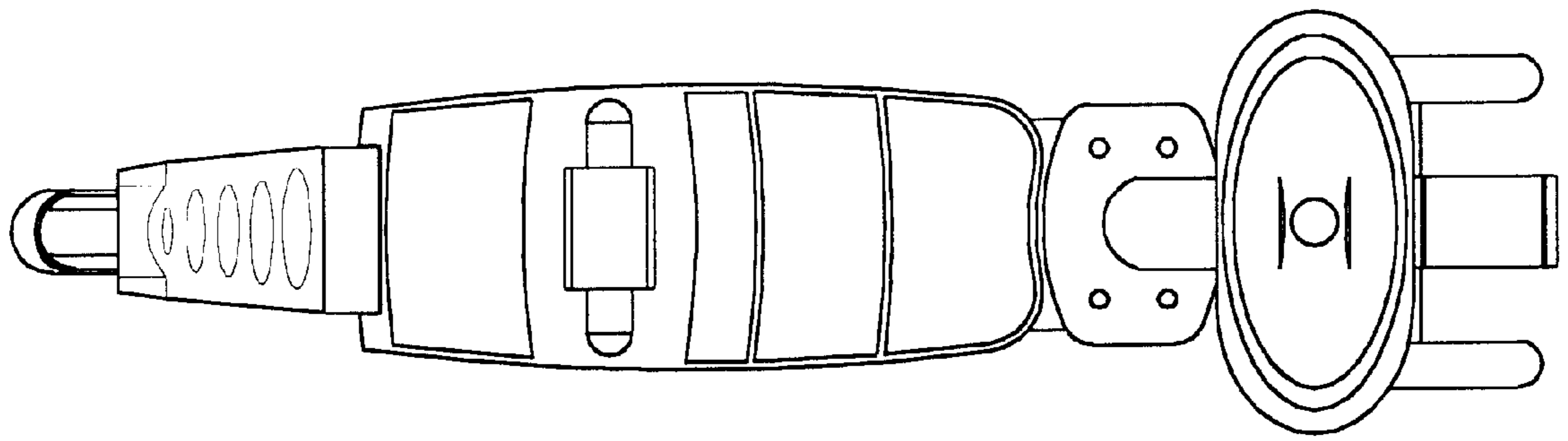


FIG. 6

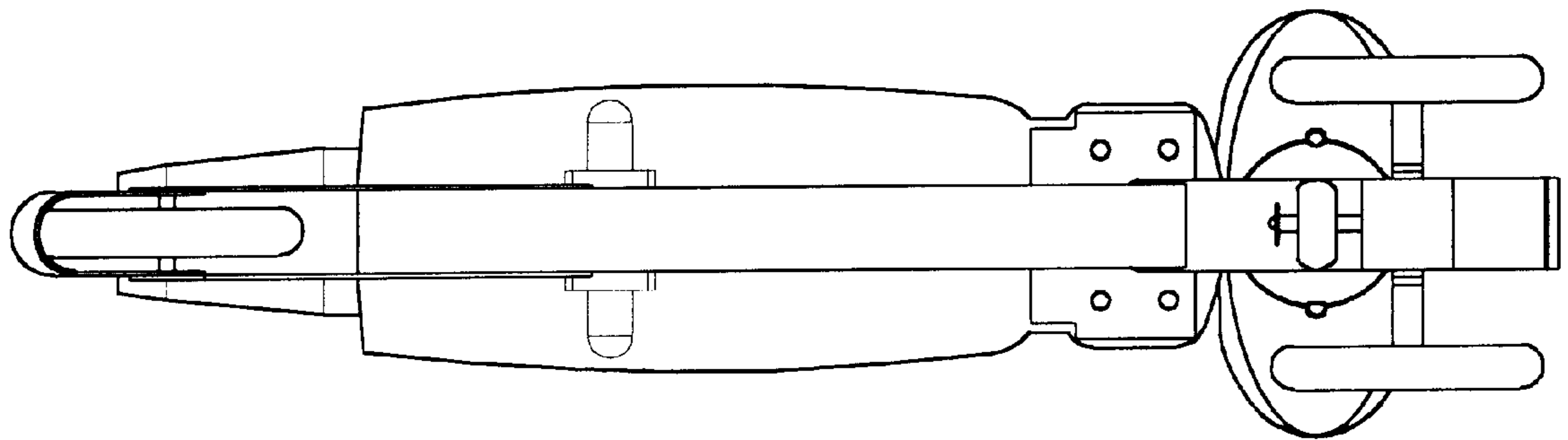


FIG. 7