



US00D452885B1

(12) **United States Design Patent**  
**Chen**

(10) **Patent No.:** **US D452,885 S**

(45) **Date of Patent:** **\*\* Jan. 8, 2002**

(54) **FRAME OF SKATING BOARD BIKE**

(75) Inventor: **Ting-Hsing Chen**, Tainan Hsien (TW)

(73) Assignee: **Far Great Plastics Industrial Co., Ltd.**, Tainan Hsien (TW)

(\*\*) Term: **14 Years**

(21) Appl. No.: **29/117,267**

(22) Filed: **Jan. 21, 2000**

(51) **LOC (7) Cl.** ..... **21-01**

(52) **U.S. Cl.** ..... **D21/423**

(58) **Field of Search** ..... D21/419, 421,  
D21/423, 424, 426, 435, 533, 760, 765,  
771; D12/107, 110-112, 114, 115, 117,  
118; 280/62, 271, 282, 87.021, 87.041,  
87.042; 180/181, 216

(56) **References Cited**

**U.S. PATENT DOCUMENTS**

D29,340 S \* 9/1898 Wilson ..... D12/117  
1,910,018 A \* 5/1933 Jones ..... 280/282  
D118,245 S \* 12/1939 Rideout ..... D21/423

3,781,031 A \* 12/1973 Patin ..... 280/62  
D301,157 S \* 5/1989 Hess ..... D21/423  
D312,485 S \* 11/1990 Turner ..... D21/423  
D368,880 S \* 4/1996 Harrington ..... D12/117  
5,899,474 A \* 5/1999 Grutzik ..... 280/87.041  
D425,944 S \* 5/2000 Lee ..... D21/423

\* cited by examiner

*Primary Examiner*—Raphael Barkai

(74) *Attorney, Agent, or Firm*—Rosenberg, Klein & Lee

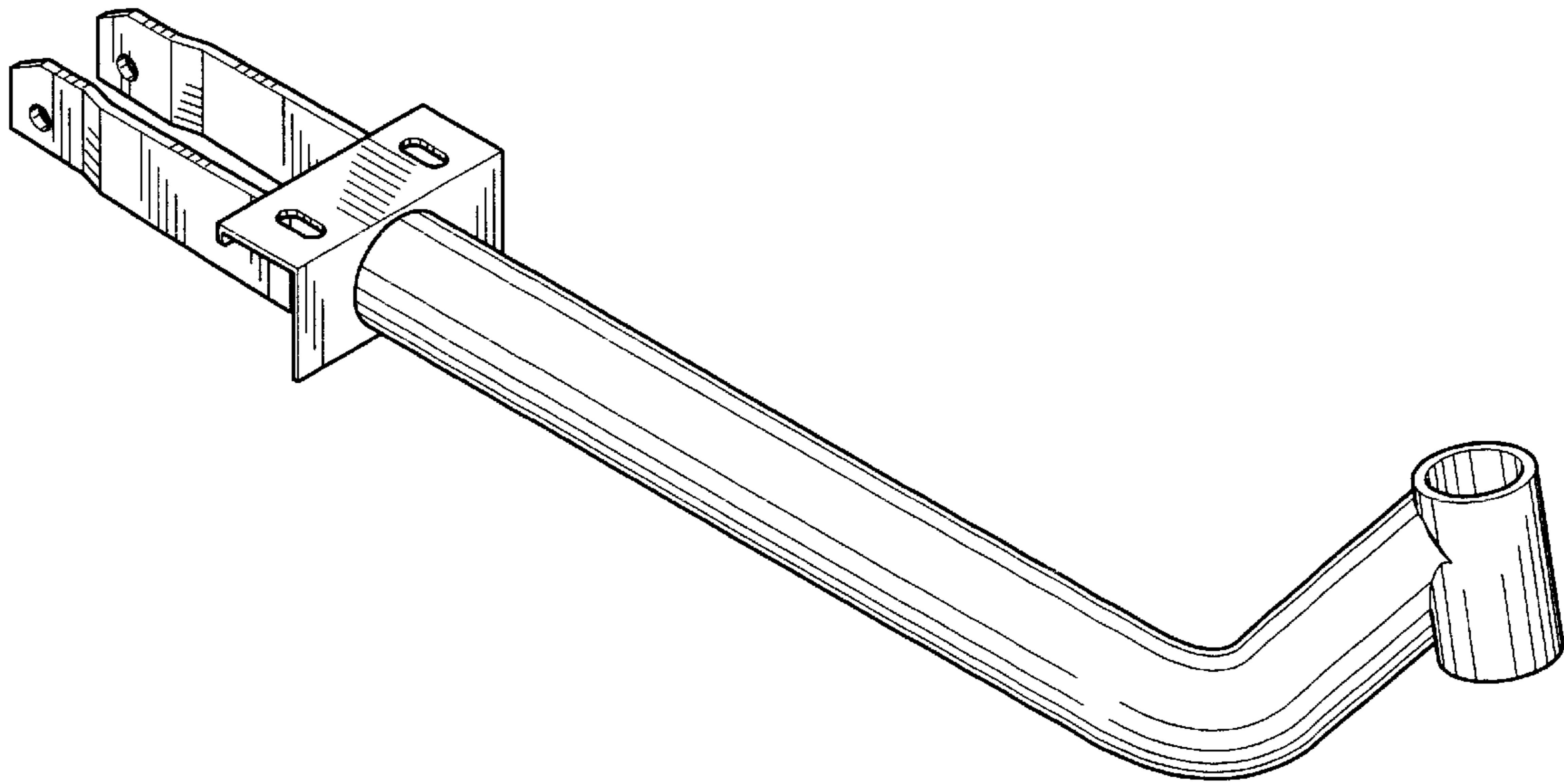
(57) **CLAIM**

The ornamental design for frame of skating board bike, as shown and described.

**DESCRIPTION**

FIG. 1 is a perspective view of frame of skating board bike showing my present design;  
FIG. 2 is a front view thereof;  
FIG. 3 is a rear view thereof;  
FIG. 4 is a left view thereof;  
FIG. 5 is a right view thereof;  
FIG. 6 is a top plan view thereof; and,  
FIG. 7 is a bottom plan view.

**1 Claim, 7 Drawing Sheets**



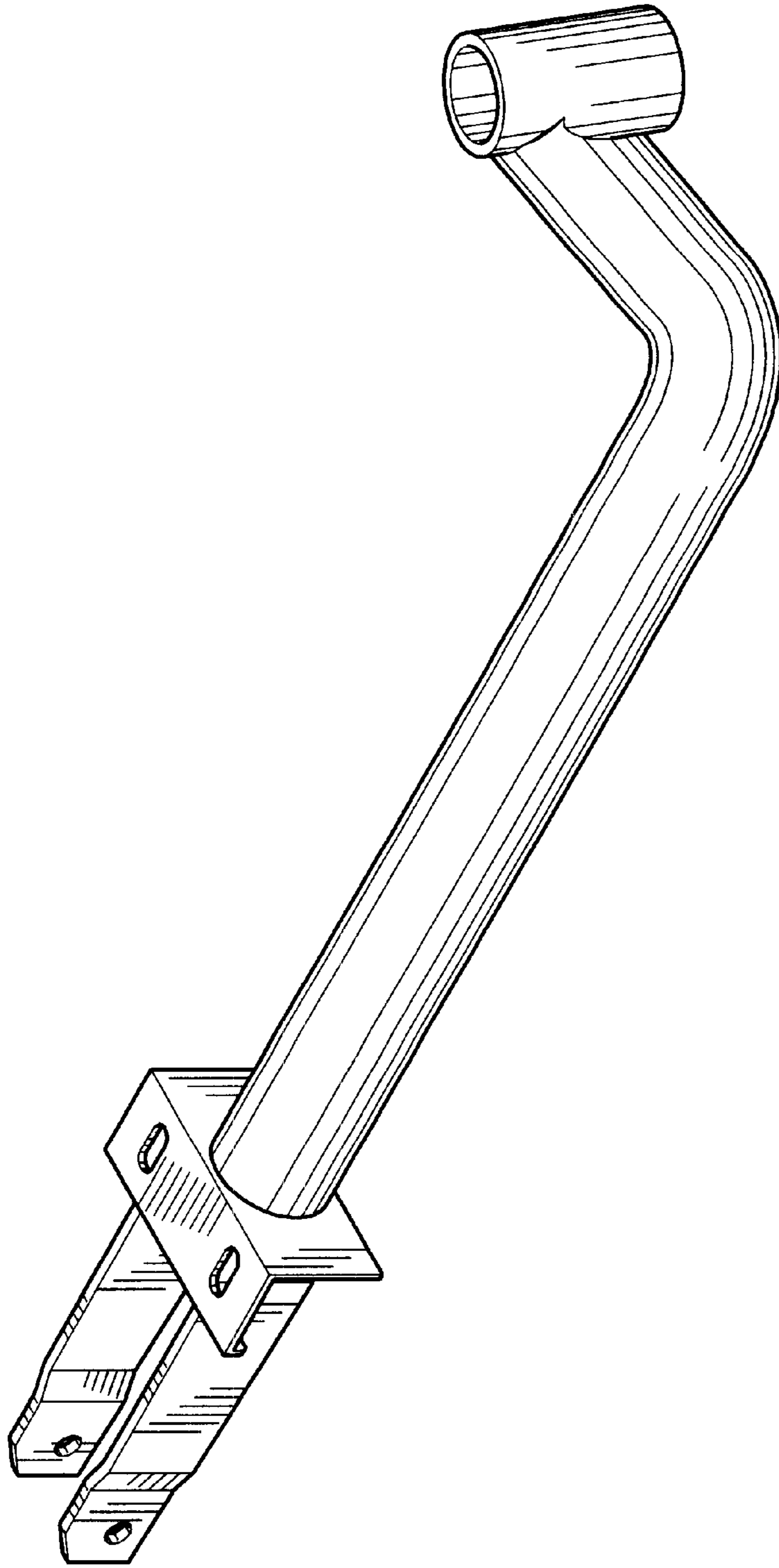


FIG. 1

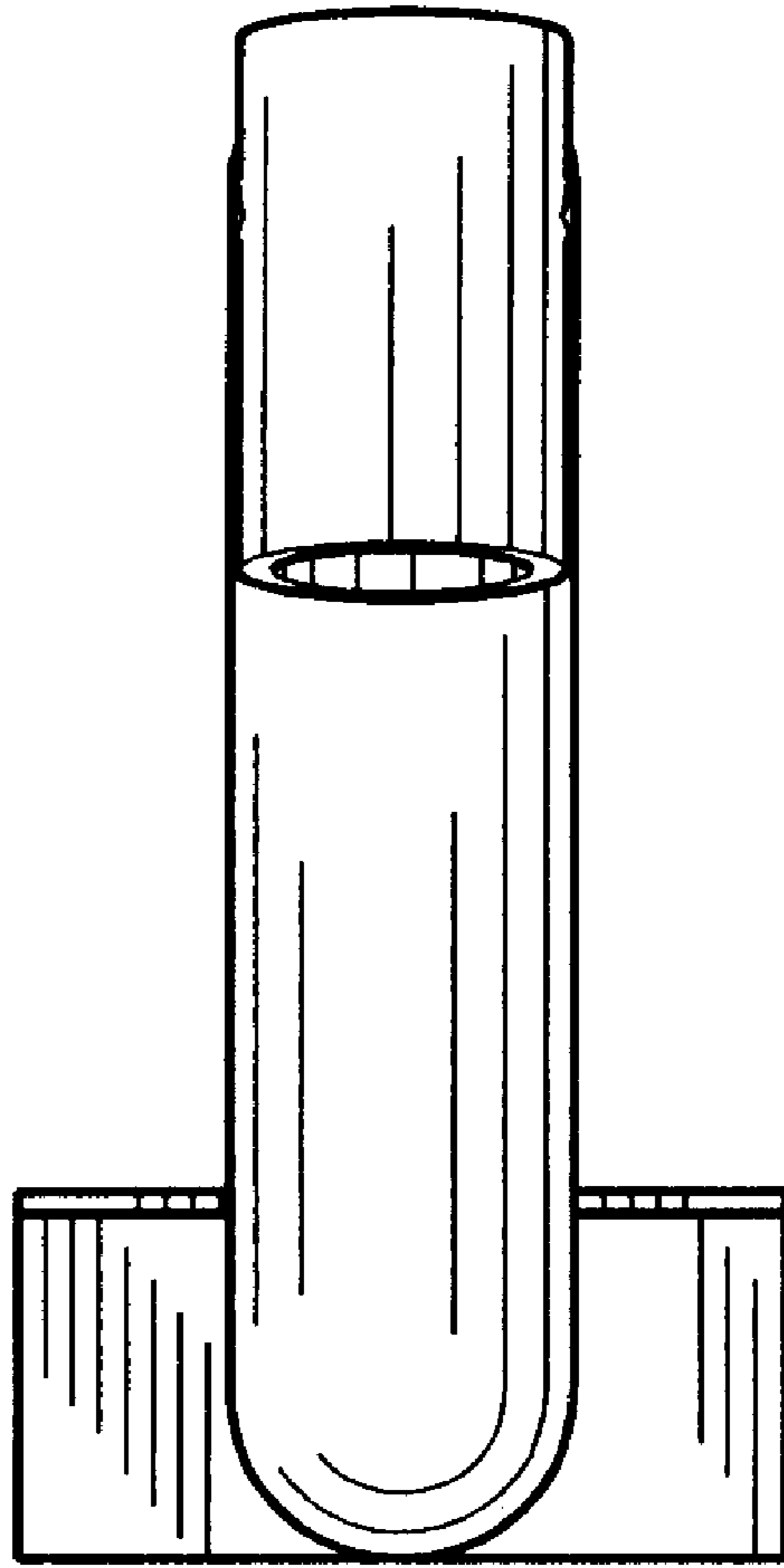


FIG. 2

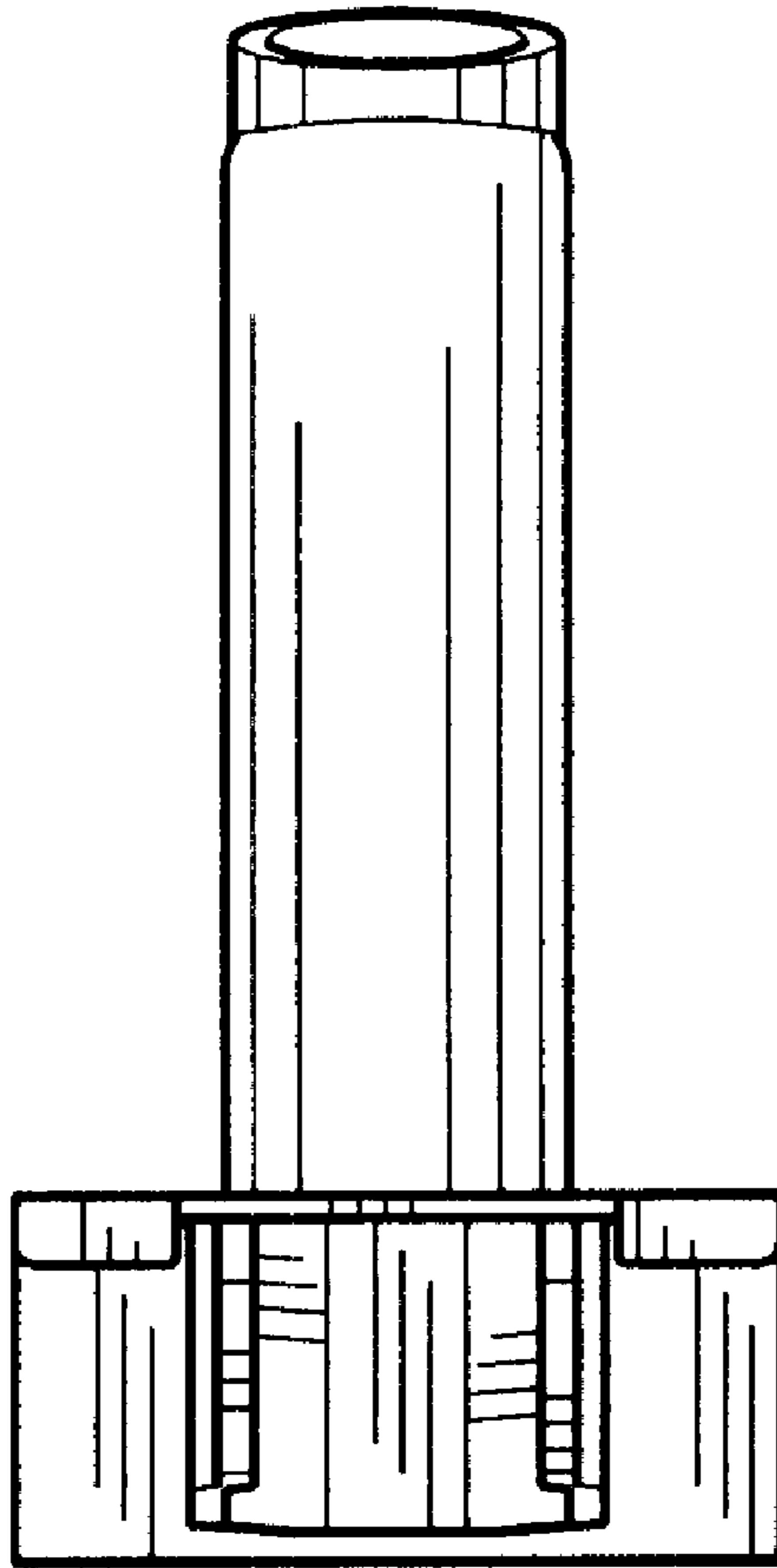


FIG. 3



FIG . 4

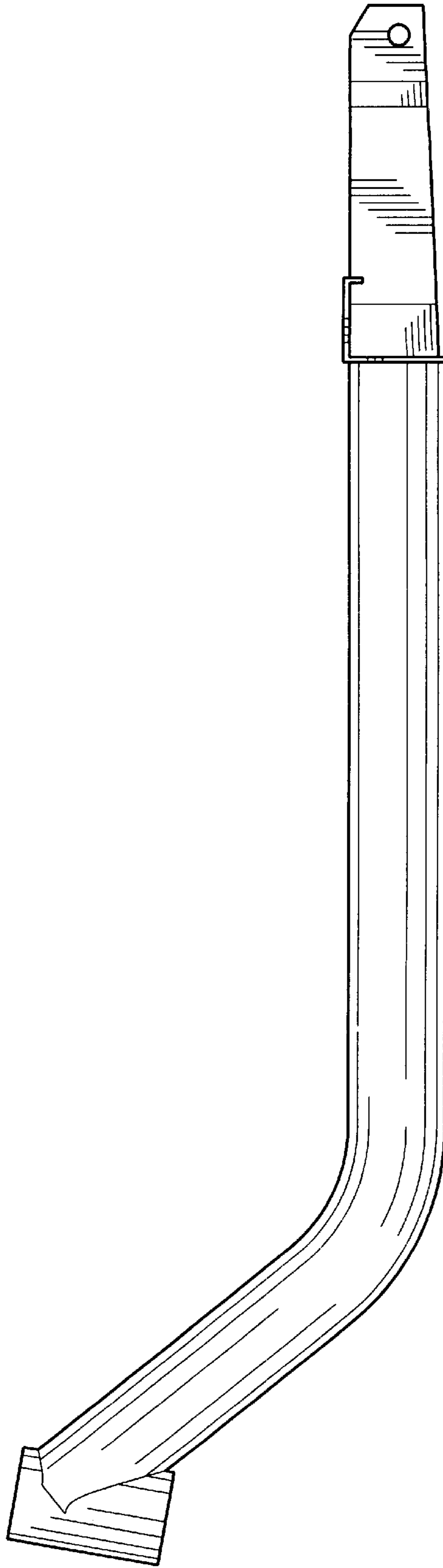


FIG. 5

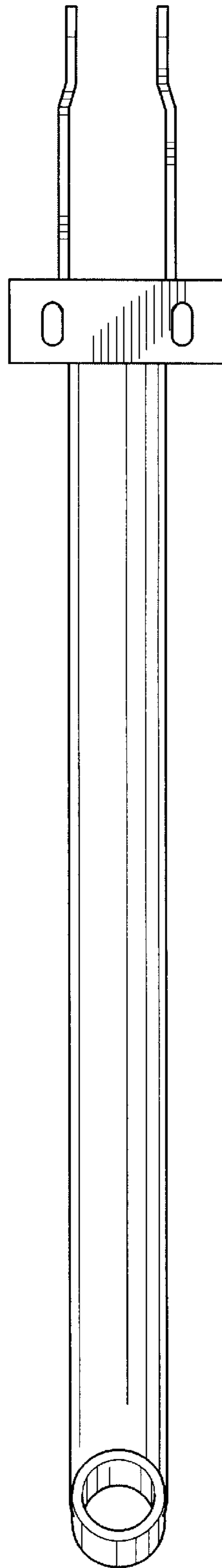


FIG. 6

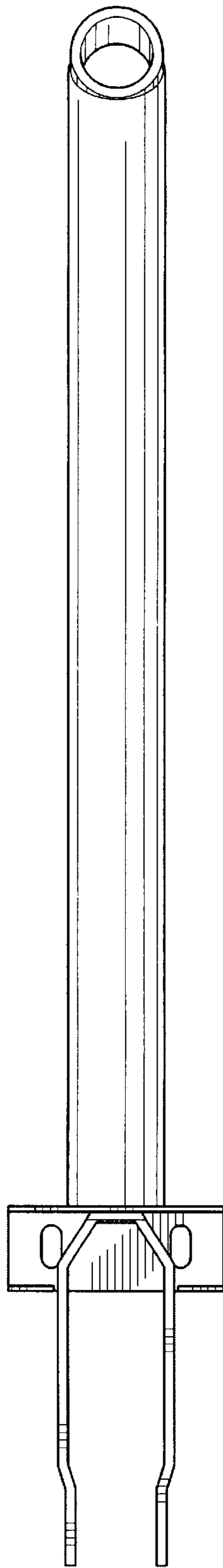


FIG . 7