



US00D452882B1

(12) **United States Design Patent**
Suzuki

(10) **Patent No.:** **US D452,882 S**

(45) **Date of Patent:** **** Jan. 8, 2002**

(54) **CLIP HOLDER**

(75) Inventor: **Hitoshi Suzuki**, Tokyo (JP)

(73) Assignee: **Hiromori Inc.**, Tokyo (JP)

(**) Term: **14 Years**

(21) Appl. No.: **29/131,325**

(22) Filed: **Oct. 18, 2000**

(30) **Foreign Application Priority Data**

May 10, 2000 (HK) 0010572

(51) **LOC (7) Cl.** **19-02**

(52) **U.S. Cl.** **D19/75**

(58) **Field of Search** D6/512, 515, 518;
D19/65, 75, 77, 79, 93, 94, 95, 96, 97,
99, 100; 40/358; 206/214, 224; 221/74,
152, 212, 312 C

(56) **References Cited**

U.S. PATENT DOCUMENTS

D393,657 S * 4/1998 Bennett D19/65

D421,057 S * 2/2000 Hummell et al. D19/65
D424,341 S * 5/2000 Anderberg D6/518

* cited by examiner

Primary Examiner—Doris V. Coles

Assistant Examiner—Elizabeth A. Albert

(74) *Attorney, Agent, or Firm*—Salter & Michaelson

(57) **CLAIM**

The ornamental design for a clip holder, as shown and described.

DESCRIPTION

FIG. 1 is a perspective view of a clip holder showing my new design;

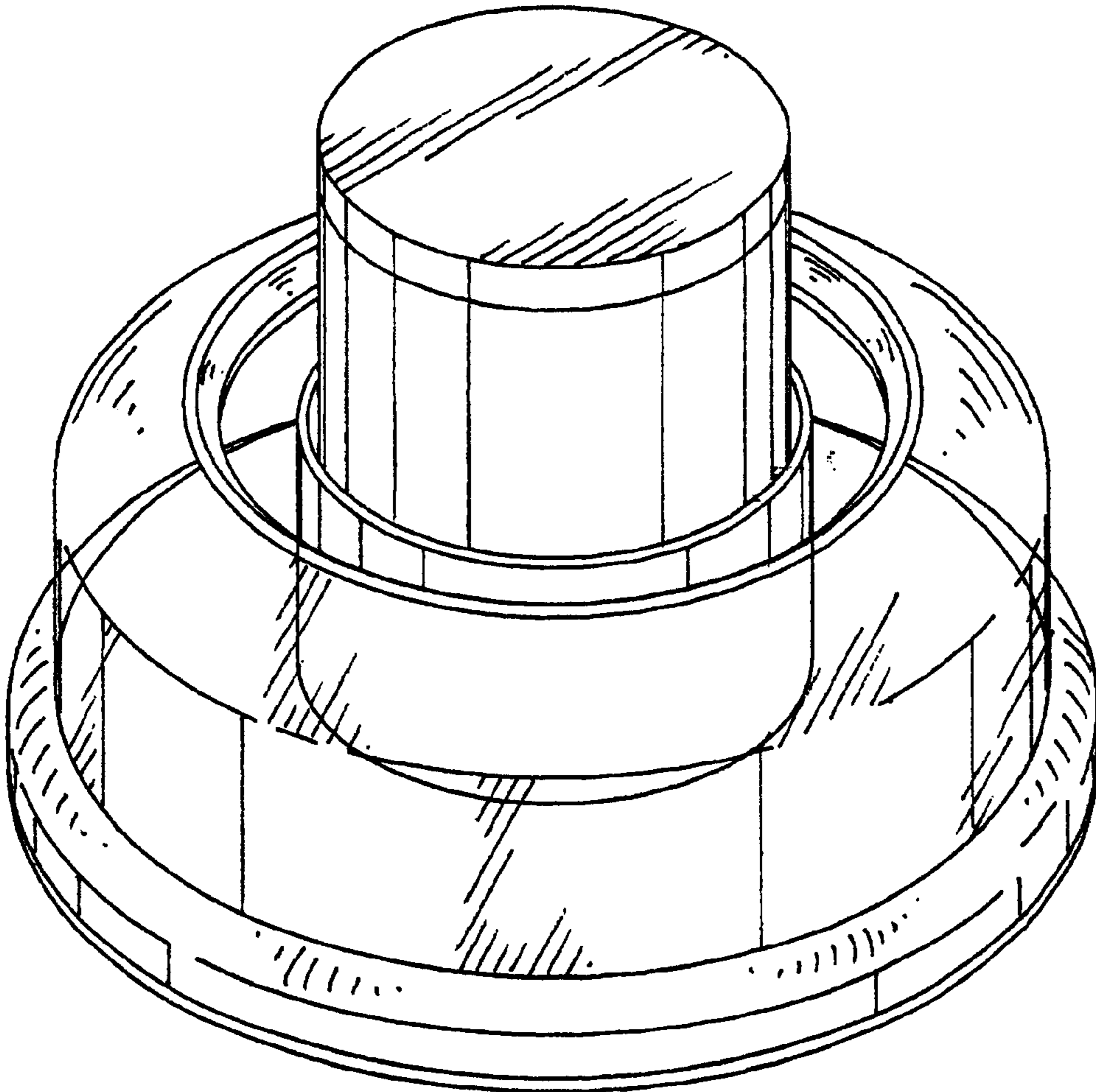
FIG. 2 is a right side elevational view thereof (the left side elevational view is a mirror image thereof);

FIG. 3 is a front elevational view thereof (the rear elevational view is a mirror image thereof);

FIG. 4 is a top plan view thereof; and,

FIG. 5 is a bottom plan view.

1 Claim, 3 Drawing Sheets



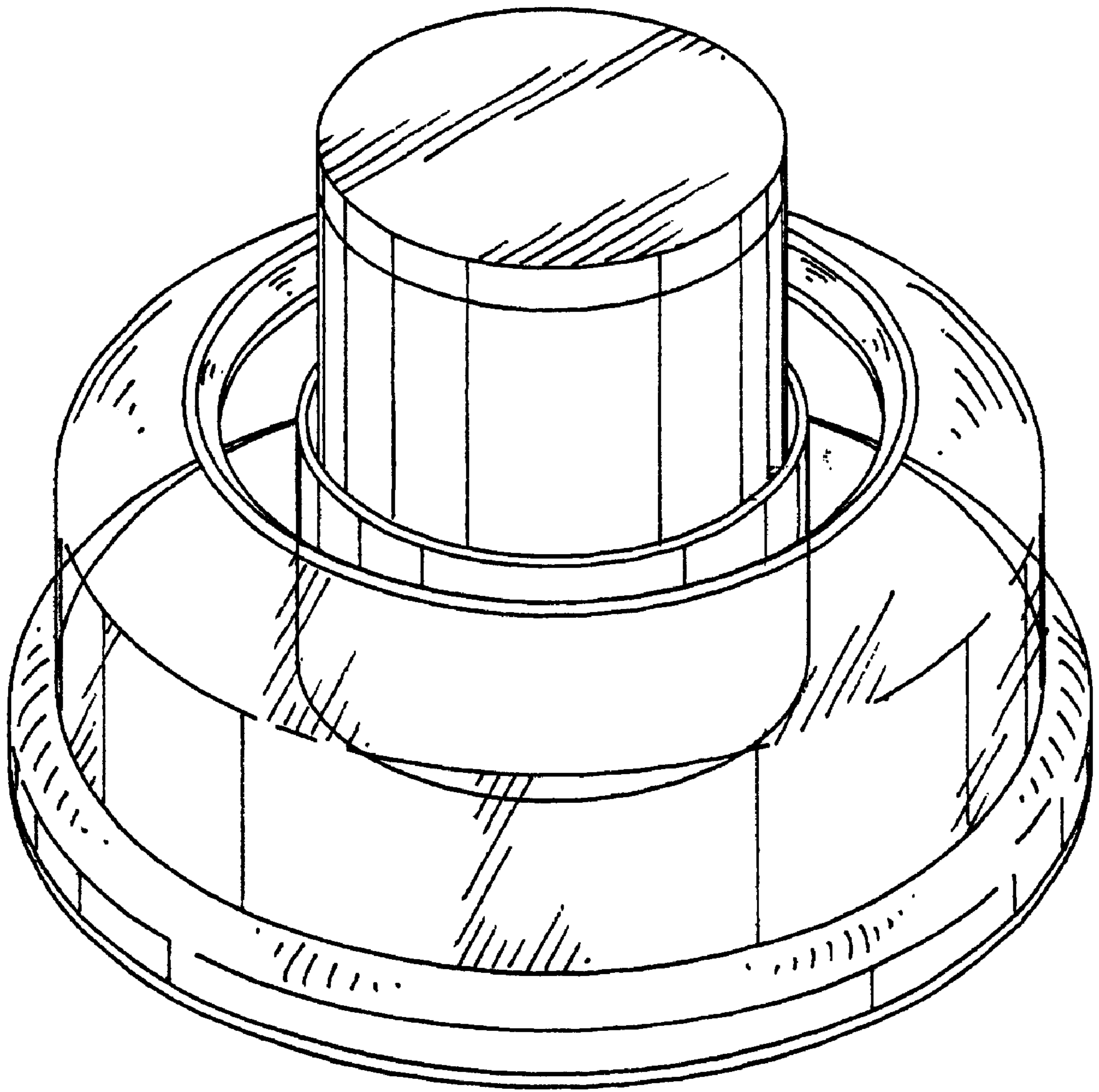


FIG. 1

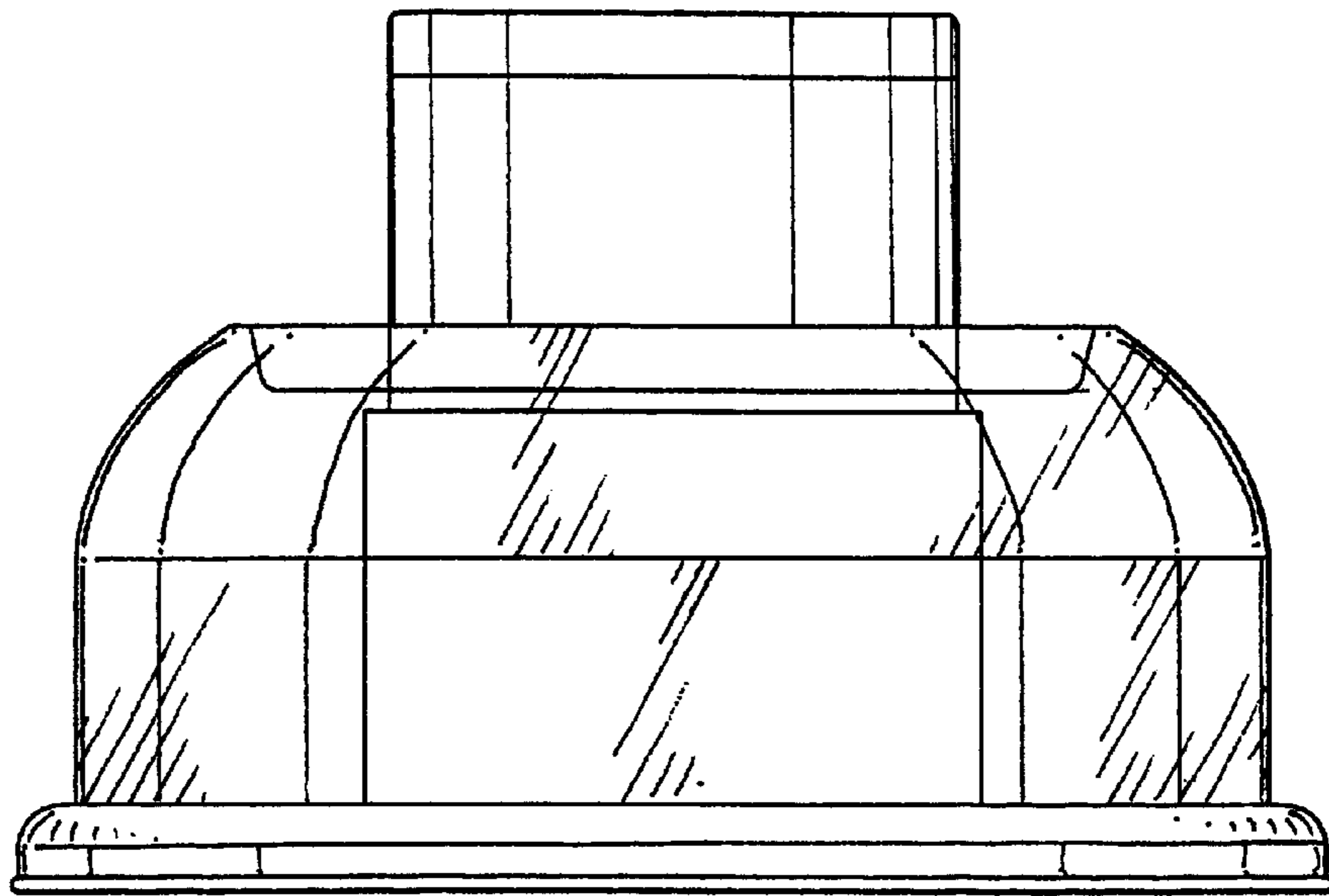


FIG. 2

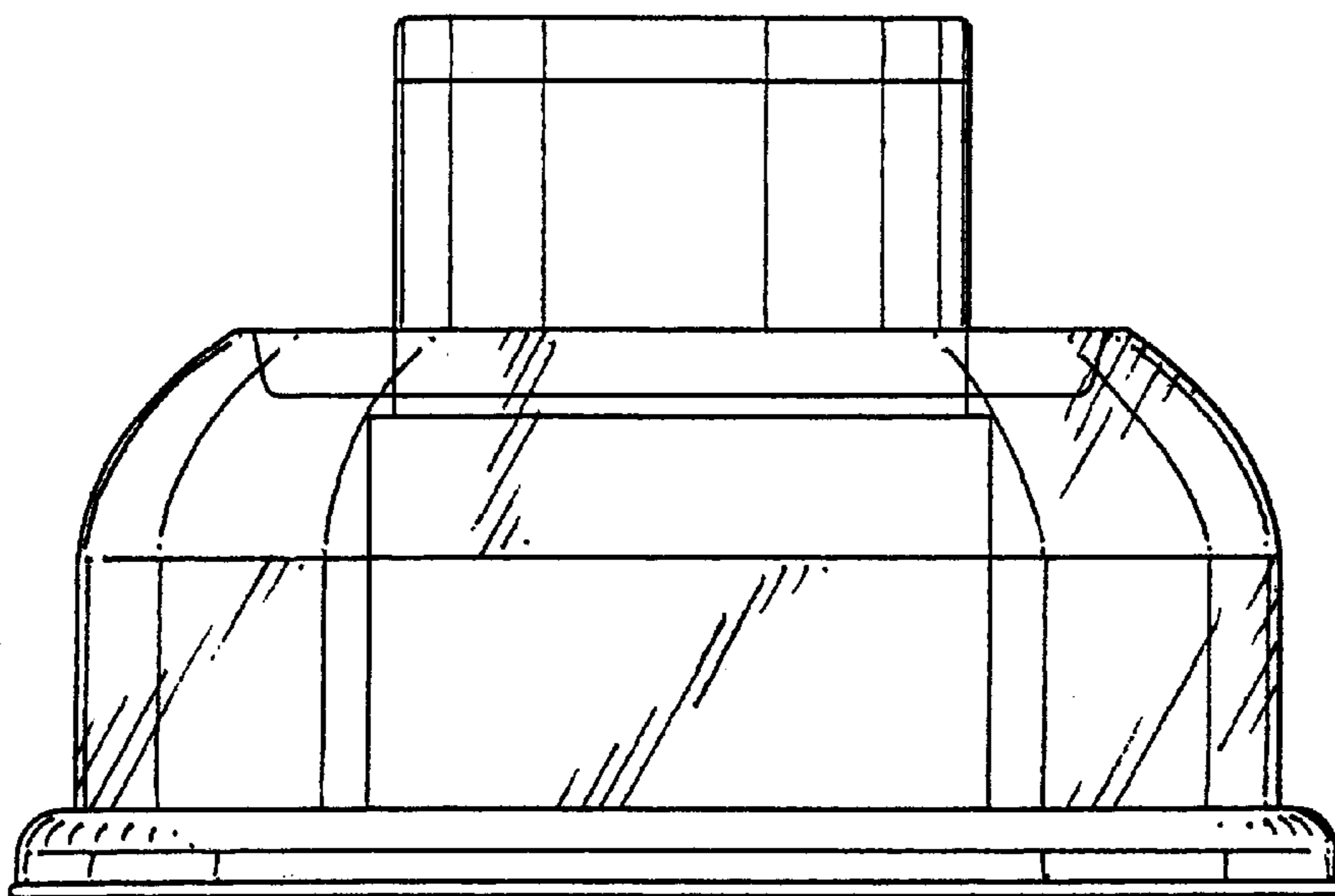


FIG. 3

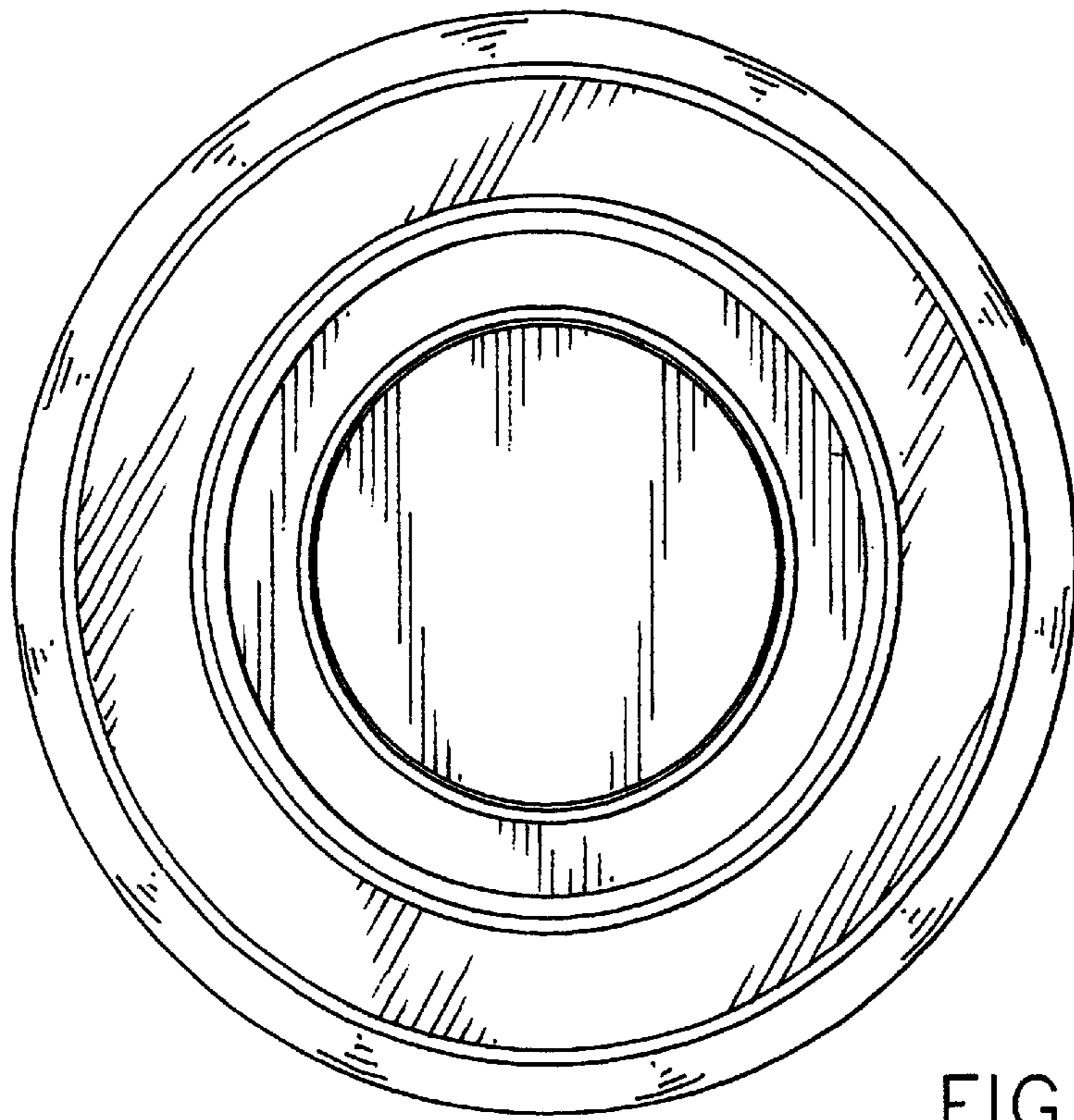


FIG. 4

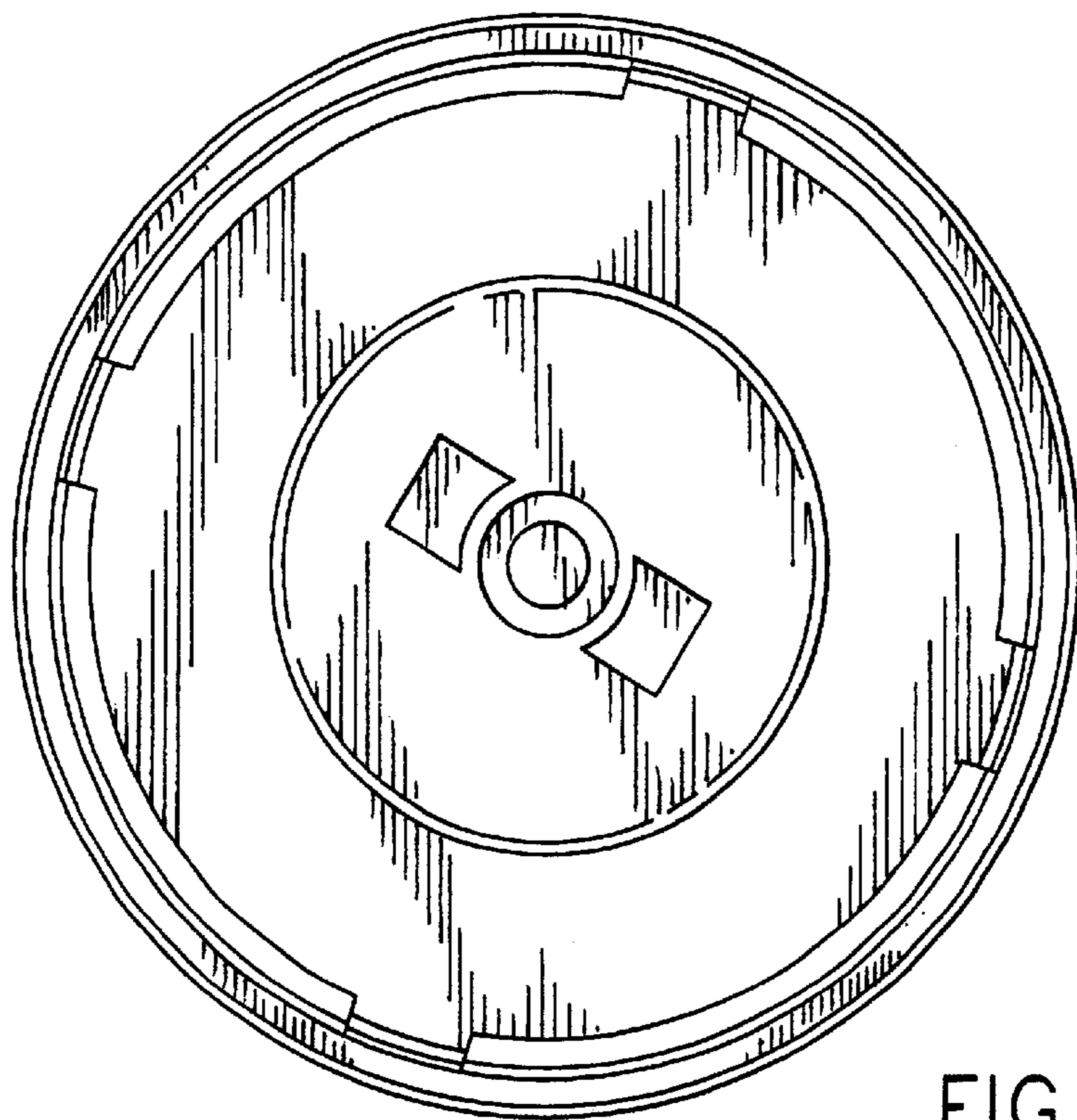


FIG. 5