



US00D452880B1

(12) **United States Design Patent**
Nakagawa

(10) **Patent No.:** **US D452,880 S**

(45) **Date of Patent:** **** Jan. 8, 2002**

(54) **WRITING UTENSIL**

(75) **Inventor:** **Satoshi Nakagawa, Shinagawa-ku (JP)**

(73) **Assignees:** **Tripod Design Co., Ltd., Tokyo;**
Morito Co., Ltd., Osaka, both of (JP)

(**) **Term:** **14 Years**

(21) **Appl. No.:** **29/137,548**

(22) **Filed:** **Feb. 26, 2001**

(30) **Foreign Application Priority Data**

Aug. 25, 2000 (JP) 12-023477

(51) **LOC (7) Cl.** **19-06**

(52) **U.S. Cl.** **D19/55; D19/54; D19/84**

(58) **Field of Search** D19/35, 36, 41-51,
D19/53, 54, 55-58, 81-85; 401/48, 52,
88, 195, 6, 7, 8; 294/25; 224/217, 218;
15/435-447; 434/112, 162

(56) **References Cited**

U.S. PATENT DOCUMENTS

2,497,418 A * 2/1950 Schroeder 401/48
3,373,509 A * 3/1968 Brass 434/112
4,165,896 A * 8/1979 Hunt 294/25

D253,116 S * 10/1979 Tsuyuki D19/35
4,917,517 A * 4/1990 Ertz 401/6
D309,157 S * 7/1990 Ertz D19/55
D315,923 S * 4/1991 Frischer D19/55
5,662,423 A * 9/1997 Walden 401/7

* cited by examiner

Primary Examiner—Martie K. Holtje

(74) *Attorney, Agent, or Firm*—Oliff & Berridge, PLC

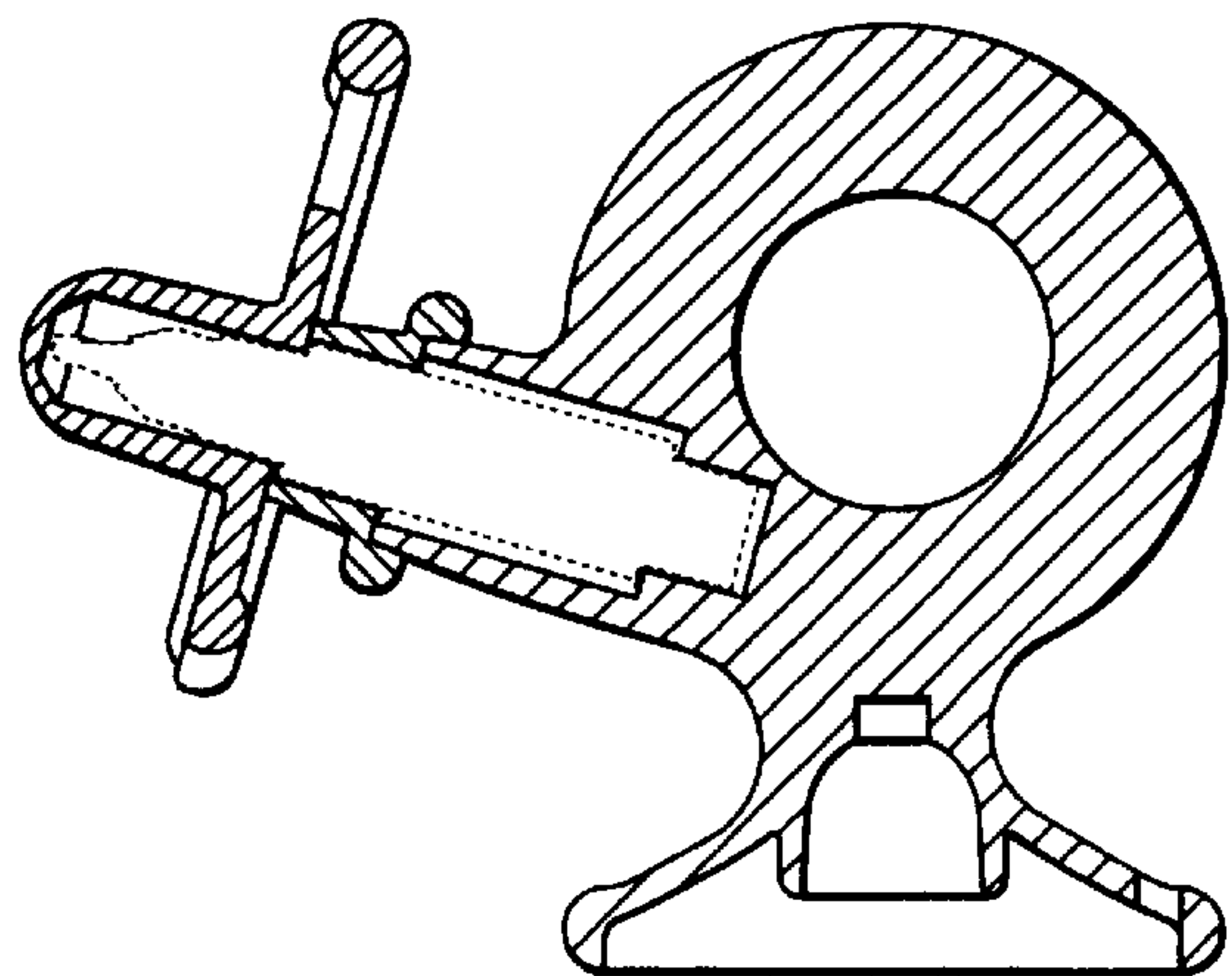
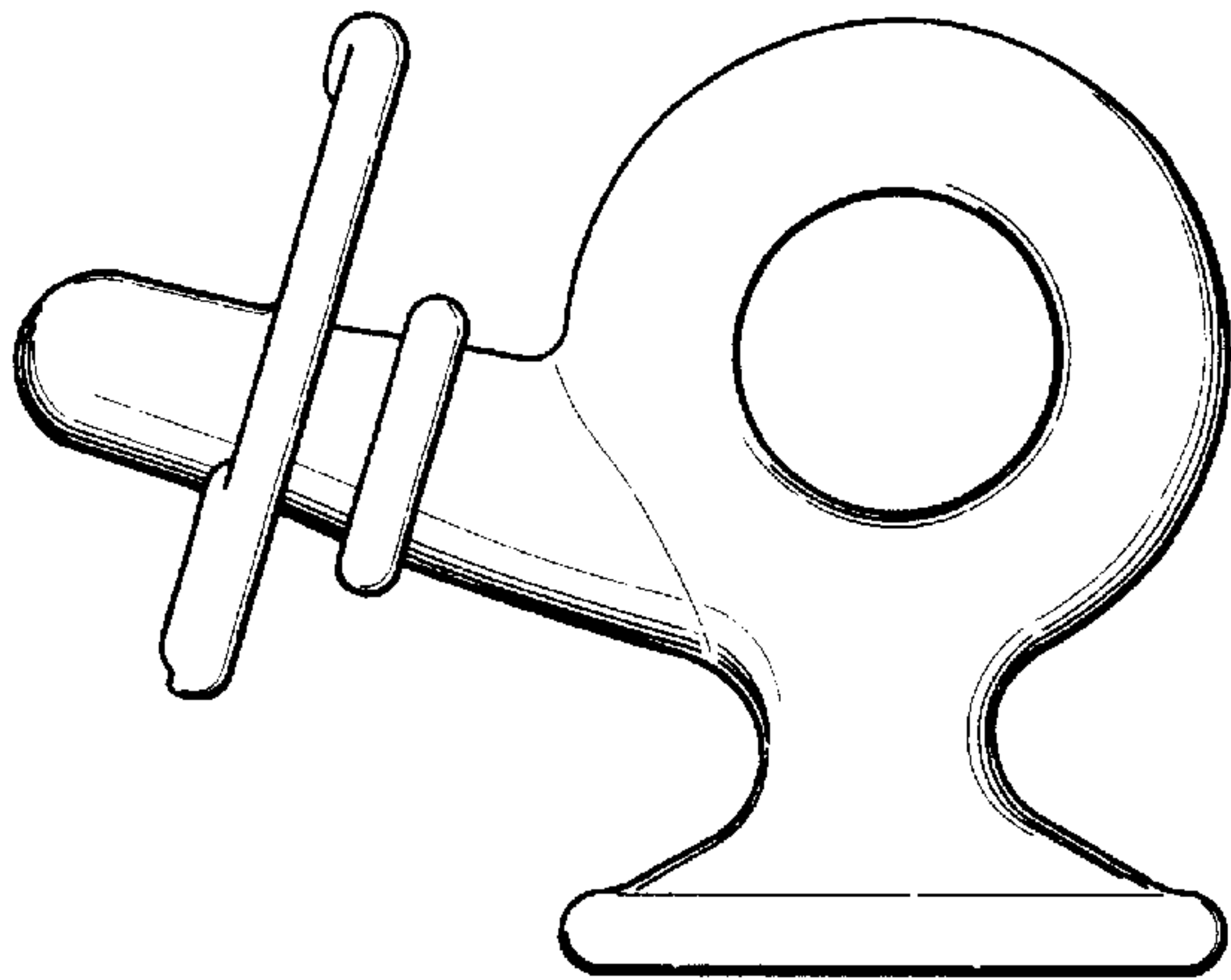
(57) **CLAIM**

The ornamental design for a writing utensil, as shown and described.

DESCRIPTION

FIG. 1 is a front view of the writing utensil;
FIG. 2 is a rear view of FIG. 1;
FIG. 3 is a plan view of FIG. 1;
FIG. 4 is a bottom view of FIG. 1,
FIG. 5 is a right side view of FIG. 1, the left side view being a mirror image;
FIG. 6 is a cross sectional view of FIG. 5; and,
FIG. 7 is a cross-sectional view of FIG. 5 with the cap member removed for ease of illustration.
The broken line showing is for illustrative purposes only and forms no part of the claimed design.

1 Claim, 4 Drawing Sheets



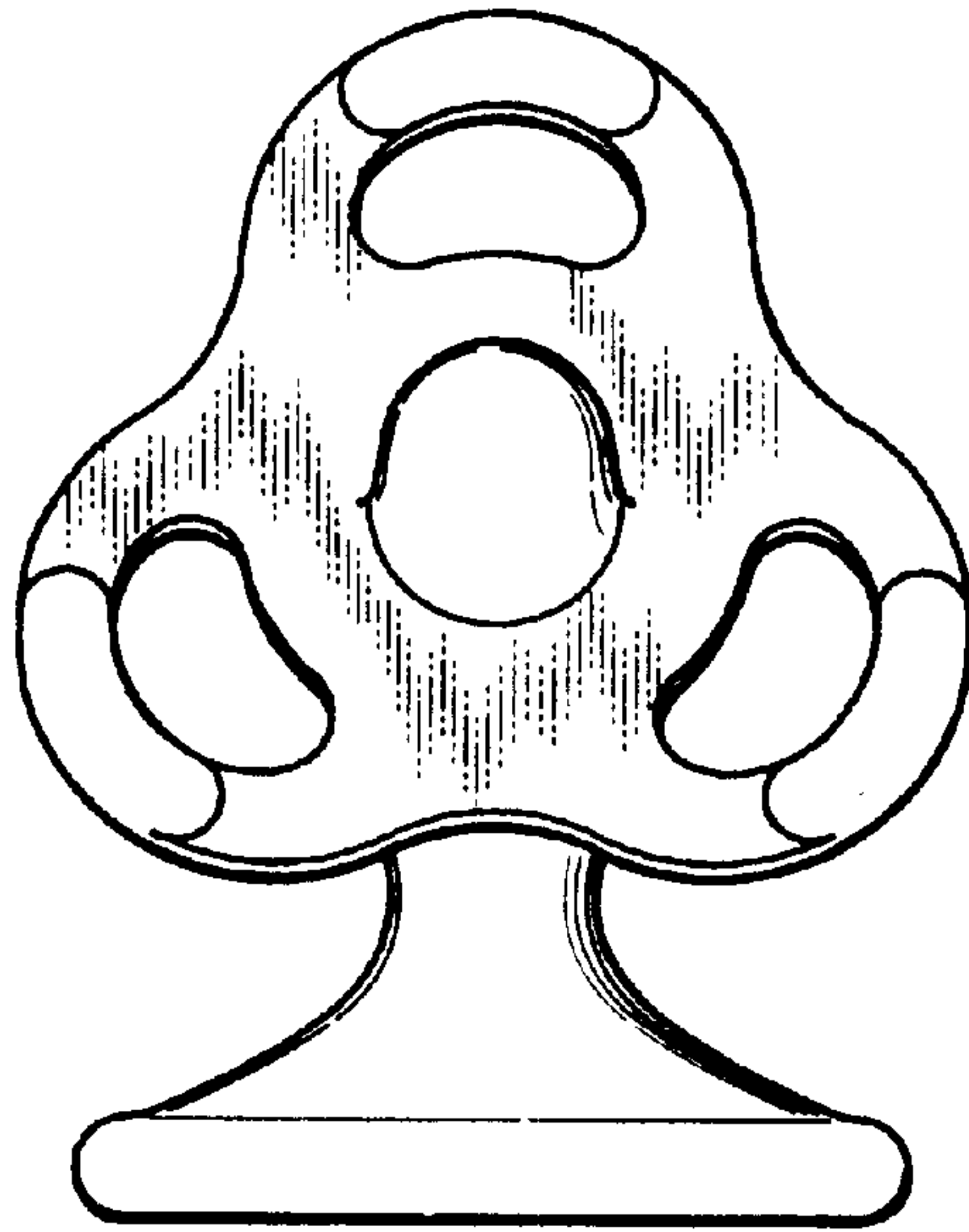


FIG. 1

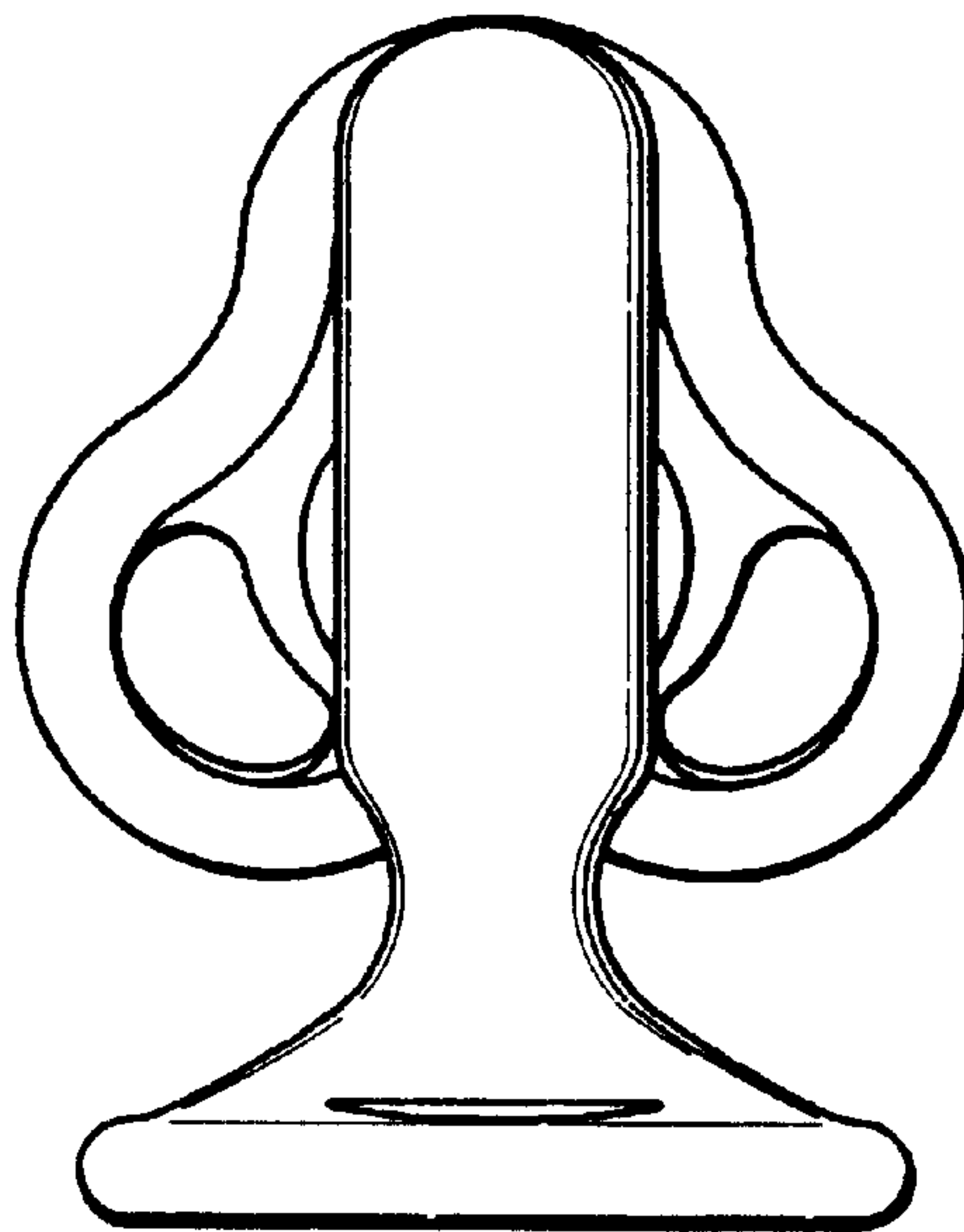


FIG. 2

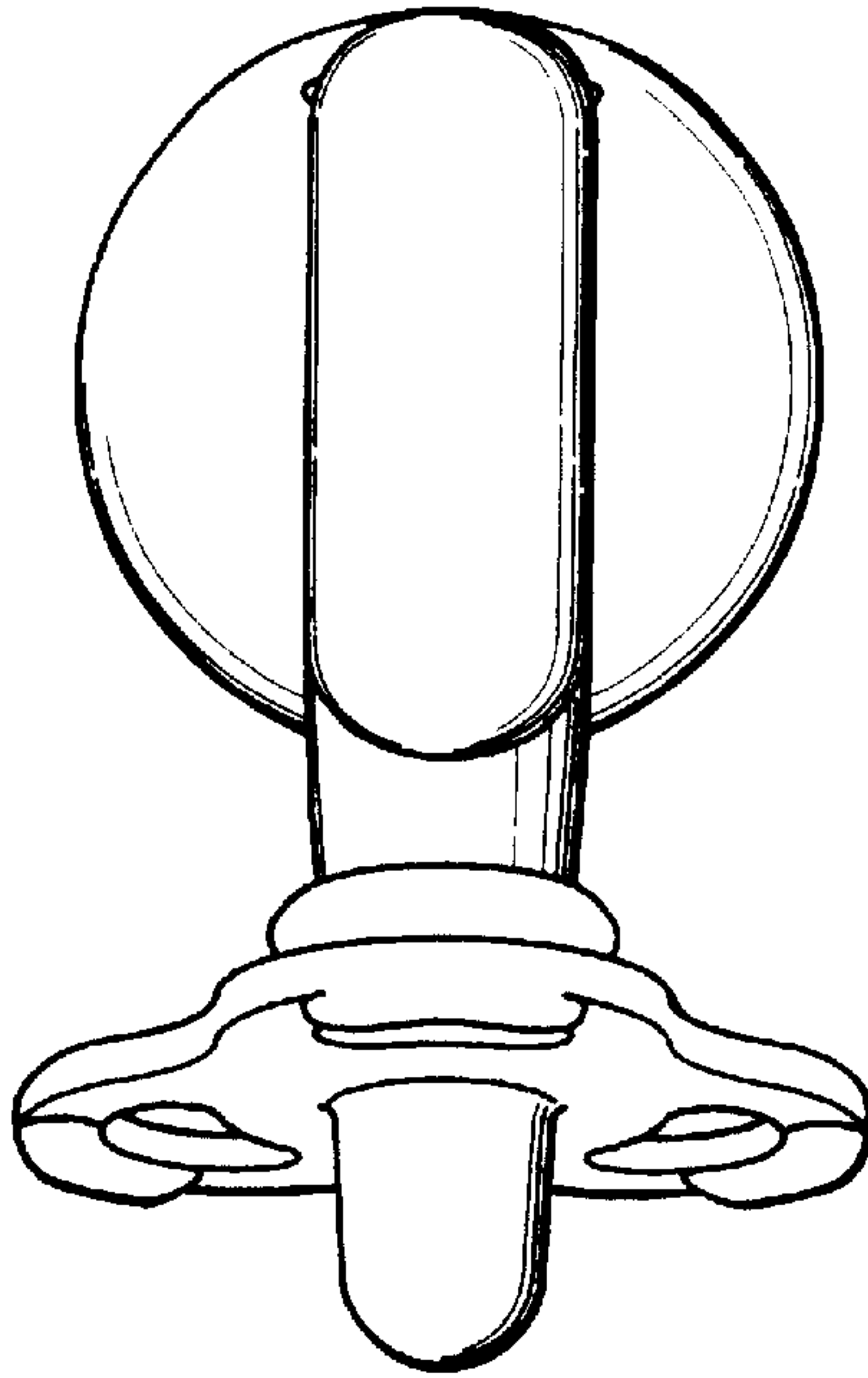


FIG.3

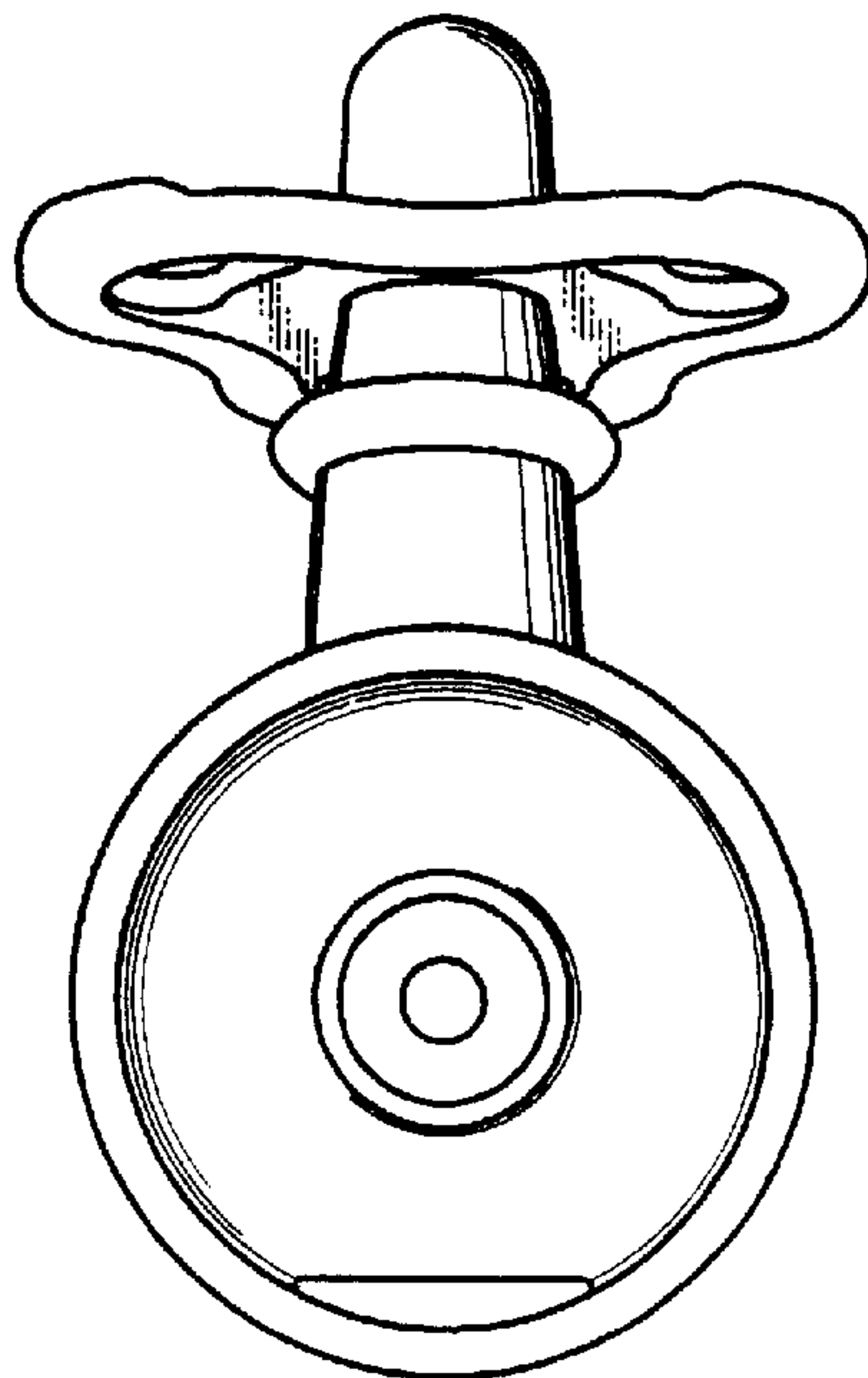


FIG.4

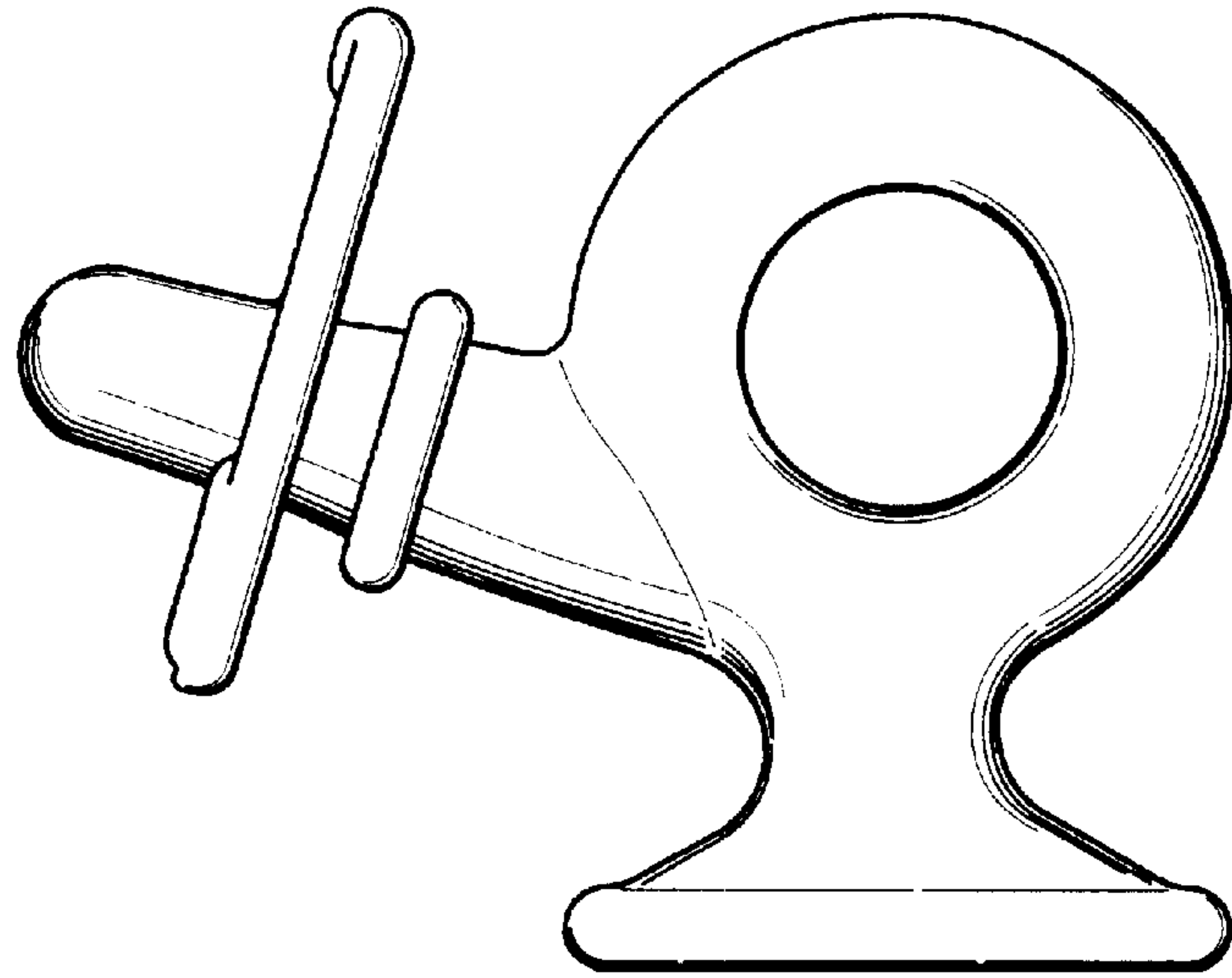


FIG. 5

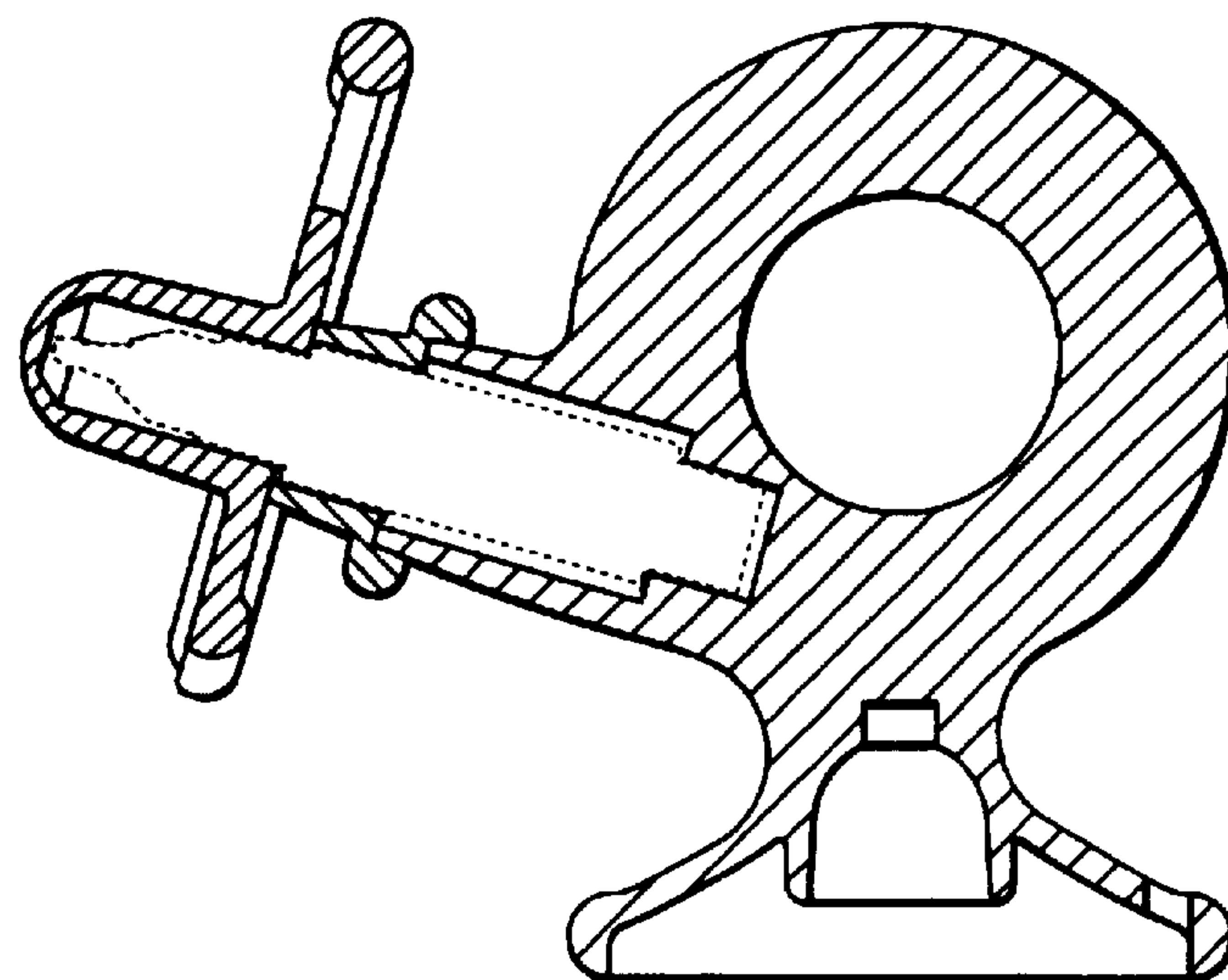


FIG. 6

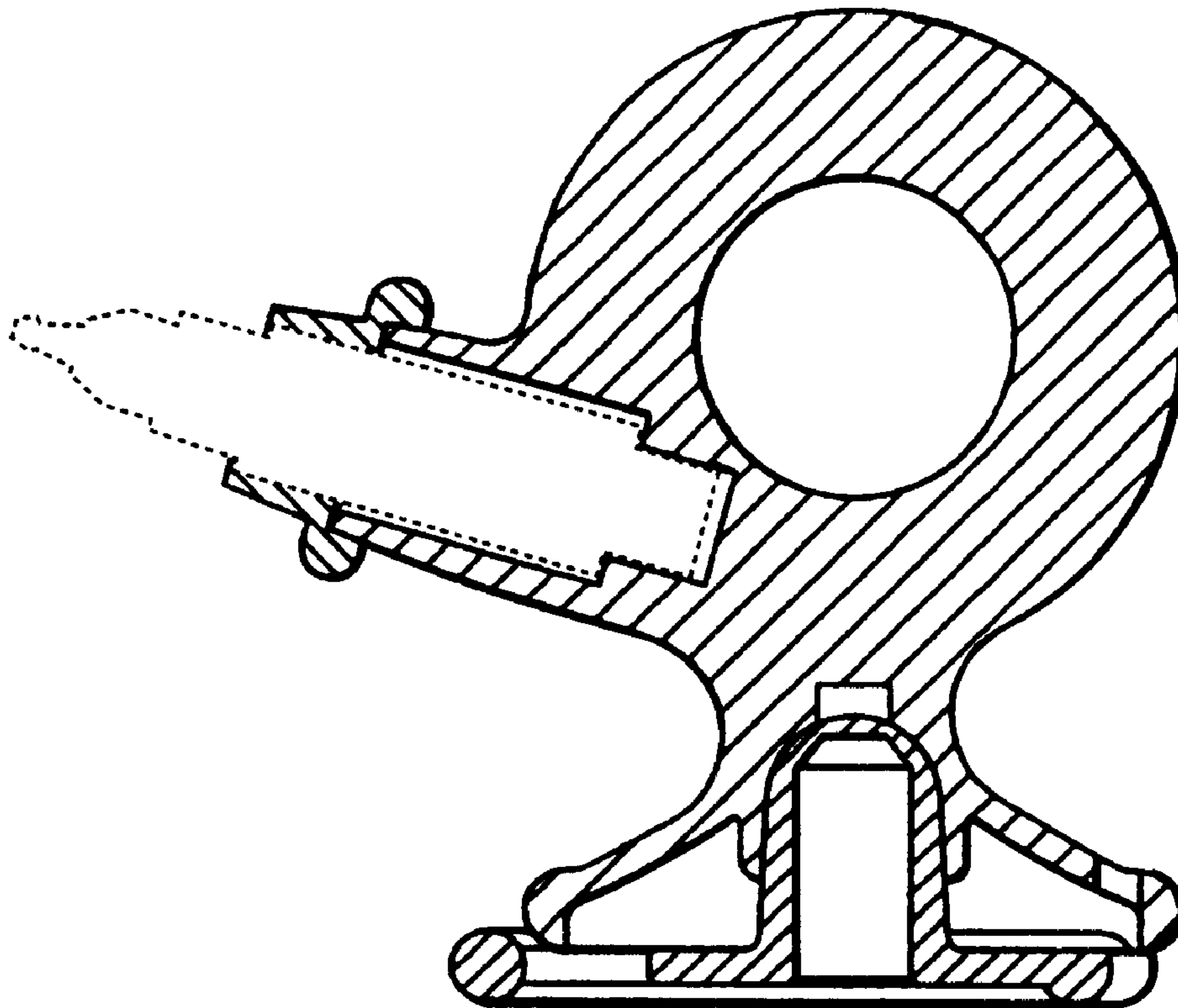


FIG.7