



US00D452877B1

(12) **United States Design Patent**  
**DeLuca et al.**

(10) **Patent No.:** **US D452,877 S**

(45) **Date of Patent:** **\*\* Jan. 8, 2002**

(54) **WRITING INSTRUMENT**

D404,427 S \* 1/1999 Takanashi ..... D19/48  
D416,940 S \* 11/1999 Ito ..... D19/48  
D426,573 S \* 6/2000 Sekine et al. .... D19/48

(75) Inventors: **Donald A. DeLuca**, Guilford; **Michael Kent**, Cheshire, both of CT (US)

\* cited by examiner

(73) Assignee: **BIC Corporation**, Milford, CT (US)

*Primary Examiner*—Martie K. Holtje

(\*\*) Term: **14 Years**

(74) *Attorney, Agent, or Firm*—Pennie & Edmonds LLP

(21) Appl. No.: **29/137,036**

(57) **CLAIM**

(22) Filed: **Feb. 12, 2001**

The ornamental design for a writing instrument, as shown and described.

(51) **LOC (7) Cl.** ..... **19-06**

**DESCRIPTION**

(52) **U.S. Cl.** ..... **D19/43; 48/56; 48/57; 48/55**

FIG. 1 is a perspective view of an ornamental design for a writing instrument according to the present invention;

(58) **Field of Search** ..... D19/35, 36, 41–51, D19/53–58, 81–85; 401/6, 7, 88, 98, 202, 209, 213, 243–247, 261–262

FIG. 2 is a rear view thereof;

FIG. 3 is a front view thereof;

FIG. 4 is a right side view thereof;

FIG. 5 is a left side view thereof;

FIG. 6 is a top plan view thereof; and,

FIG. 7 is a bottom plan view thereof.

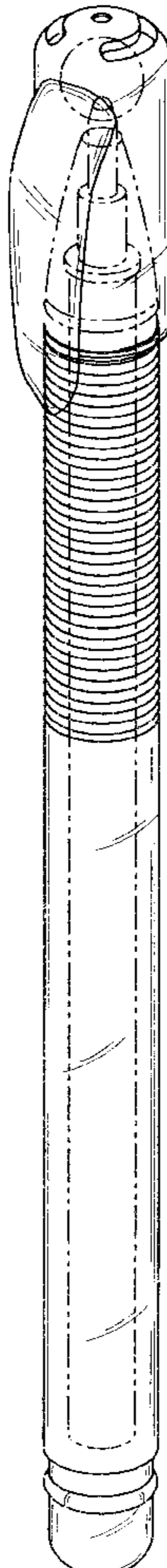
(56) **References Cited**

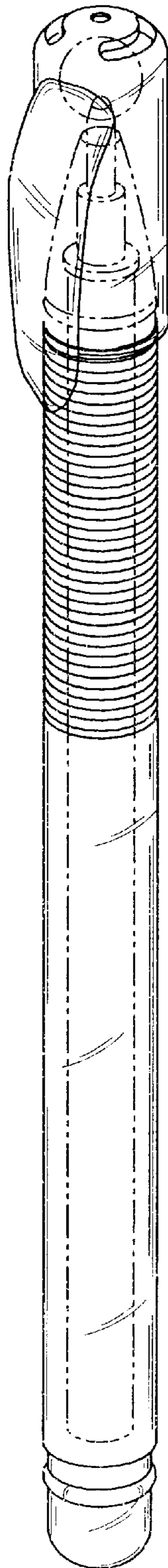
All portions shown in broken lines are for illustrative purposes only and form no part of the claimed design.

**U.S. PATENT DOCUMENTS**

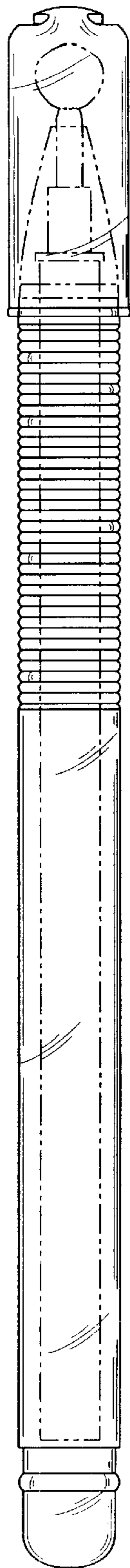
D363,308 S \* 10/1995 Sekine ..... D19/48  
D366,497 S \* 1/1996 Otake ..... D19/51  
D366,948 S \* 2/1996 Carbone ..... D26/43

**1 Claim, 4 Drawing Sheets**

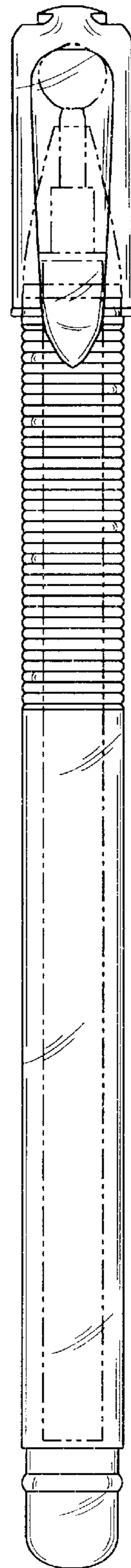




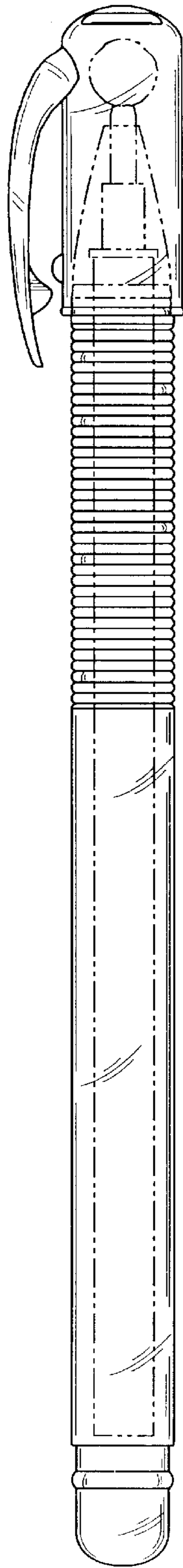
*Fig. 1*



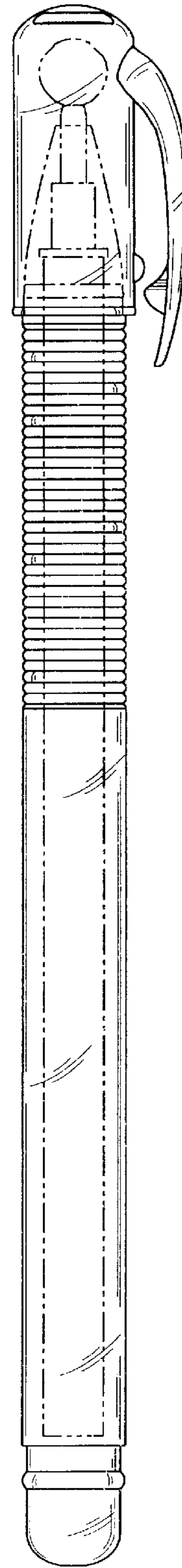
*Fig. 2*



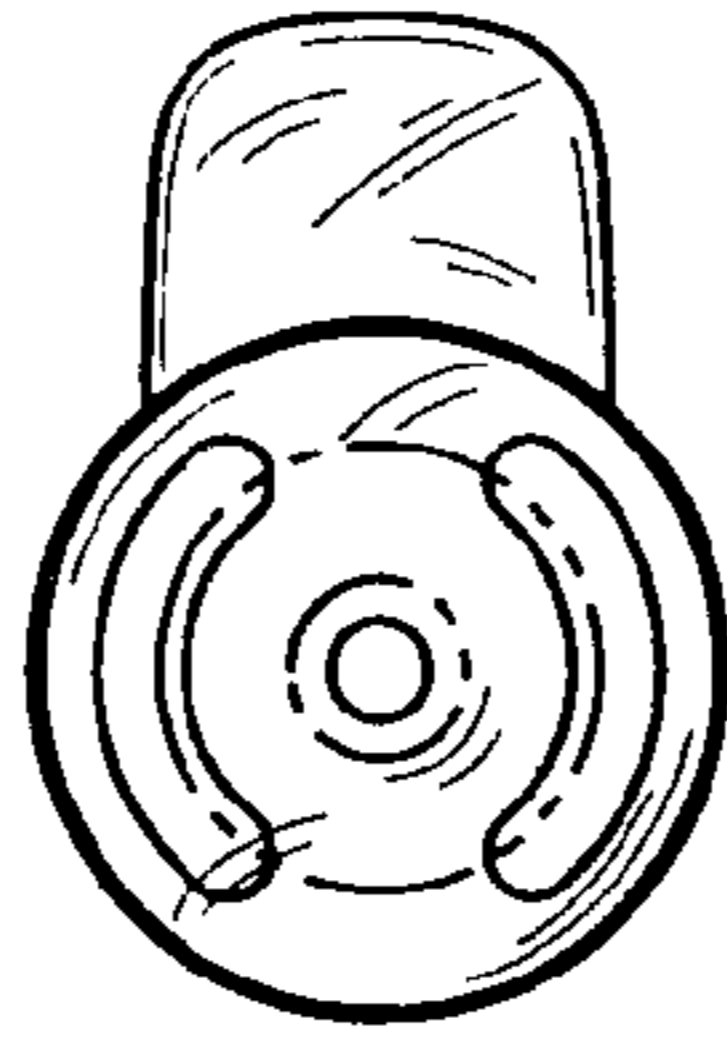
*Fig. 3*



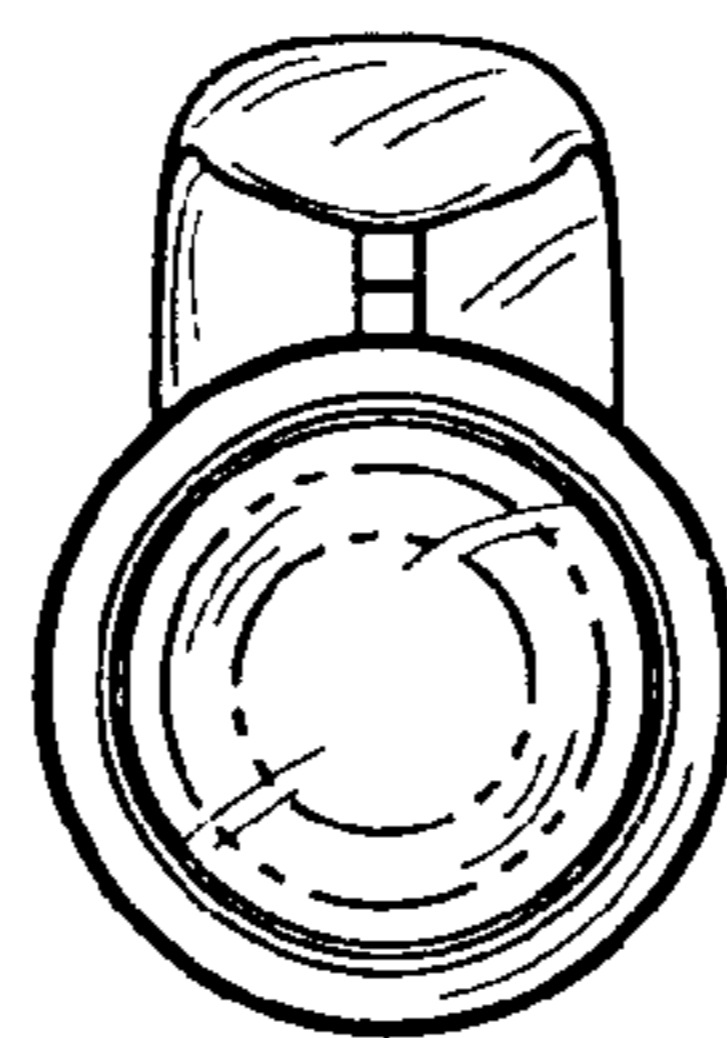
*Fig. 4*



*Fig. 5*



*Fig. 6*



*Fig. 7*