



US00D452875B1

(12) **United States Design Patent**
Carrese et al.

(10) **Patent No.:** **US D452,875 S**
(45) **Date of Patent:** **** Jan. 8, 2002**

(54) **POSITIONING GUIDE FOR AN INK TANK**

(75) Inventors: **Edward M. Carrese; Hiep Nguyen**, both of Rochester; **Eric A. Merz; Bruce A. LaPlant**, both of Webster; **Richard E. Butts; Douglas J. Baxendell**, both of Rochester; **Dennis M. Lengyel**, Hemlock; **David P. Breemes**, Palmyra, all of NY (US)

(73) Assignee: **Xerox Corporation**, Stamford, CT (US)

(**) Term: **14 Years**

(21) Appl. No.: **29/145,403**

(22) Filed: **Jul. 24, 2001**

Related U.S. Application Data

(63) Continuation of application No. 29/126,348, filed on Jul. 14, 2000.

(51) **LOC (7) Cl.** **18-02**

(52) **U.S. Cl.** **D18/56; 347/86**

(58) **Field of Search** **D18/56, 43; 347/86, 347/87**

(56) **References Cited**

U.S. PATENT DOCUMENTS

- 5,646,665 A * 7/1997 Swanson et al. 347/87
- D407,746 S * 4/1999 Fujii et al. D18/56
- D409,236 S * 5/1999 Fujii et al. D18/56
- D419,592 S * 1/2000 Nakazawa et al. D18/56
- D421,270 S * 2/2000 Yamaguchi D18/56

- D423,564 S * 4/2000 Canfield et al. D18/56
- D425,110 S * 5/2000 Dietl et al. D18/56
- 6,106,111 A * 8/2000 Taneya et al. 347/86
- D430,600 S * 9/2000 Murcia et al. D18/56
- 6,168,267 B1 * 1/2001 Komplin 347/86
- 6,243,117 B1 * 6/2001 Brandon et al. 347/87
- 6,273,560 B1 * 8/2001 Keefe et al. 347/86
- 6,276,789 B1 * 8/2001 Miyazaki et al. 347/86
- 6,283,588 B1 * 9/2001 Brandon et al. 347/86
- 6,290,344 B1 * 9/2001 Saikawa et al. 347/86
- 6,302,515 B2 * 10/2001 Wolf et al. 347/33

* cited by examiner

Primary Examiner—Cathy Anne MacCormac
(74) *Attorney, Agent, or Firm*—Oliff & Berridge, PLC

(57) **CLAIM**

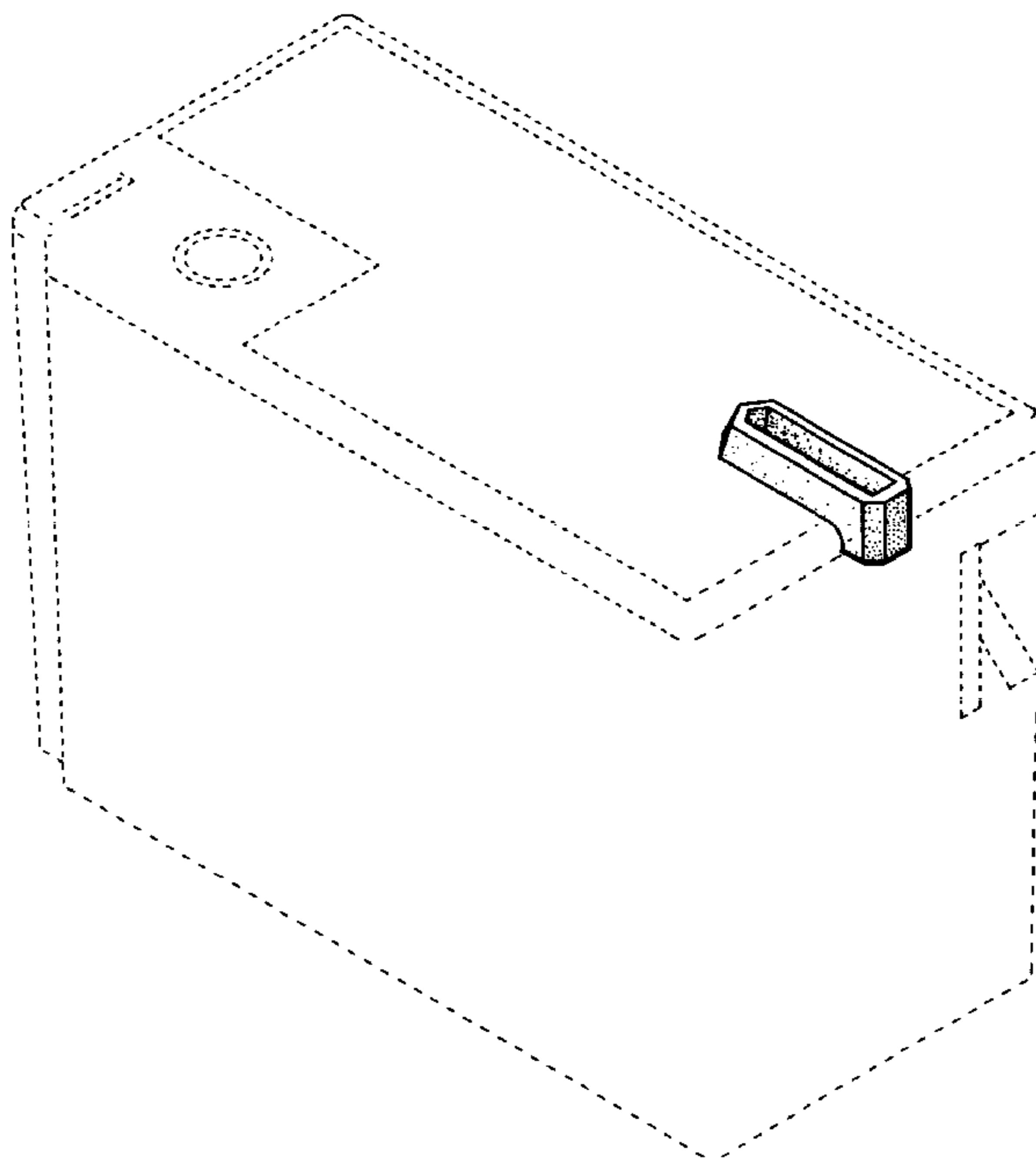
The ornamental design for a positioning guide for an ink tank, as shown and described.

DESCRIPTION

FIG. 1 is a right side view of a positioning guide for an ink tank;
FIG. 2 is a rear view thereof;
FIG. 3 is a top perspective view thereof;
FIG. 4 is a bottom view thereof;
FIG. 5 is a bottom perspective view thereof also showing a left side view thereof;
FIG. 6 is a top view thereof; and,
FIG. 7 is an enlarged perspective view of a portion of FIG. 3.

The broken lines define the bounds of the claimed design but do not form part of the claimed design.

1 Claim, 7 Drawing Sheets



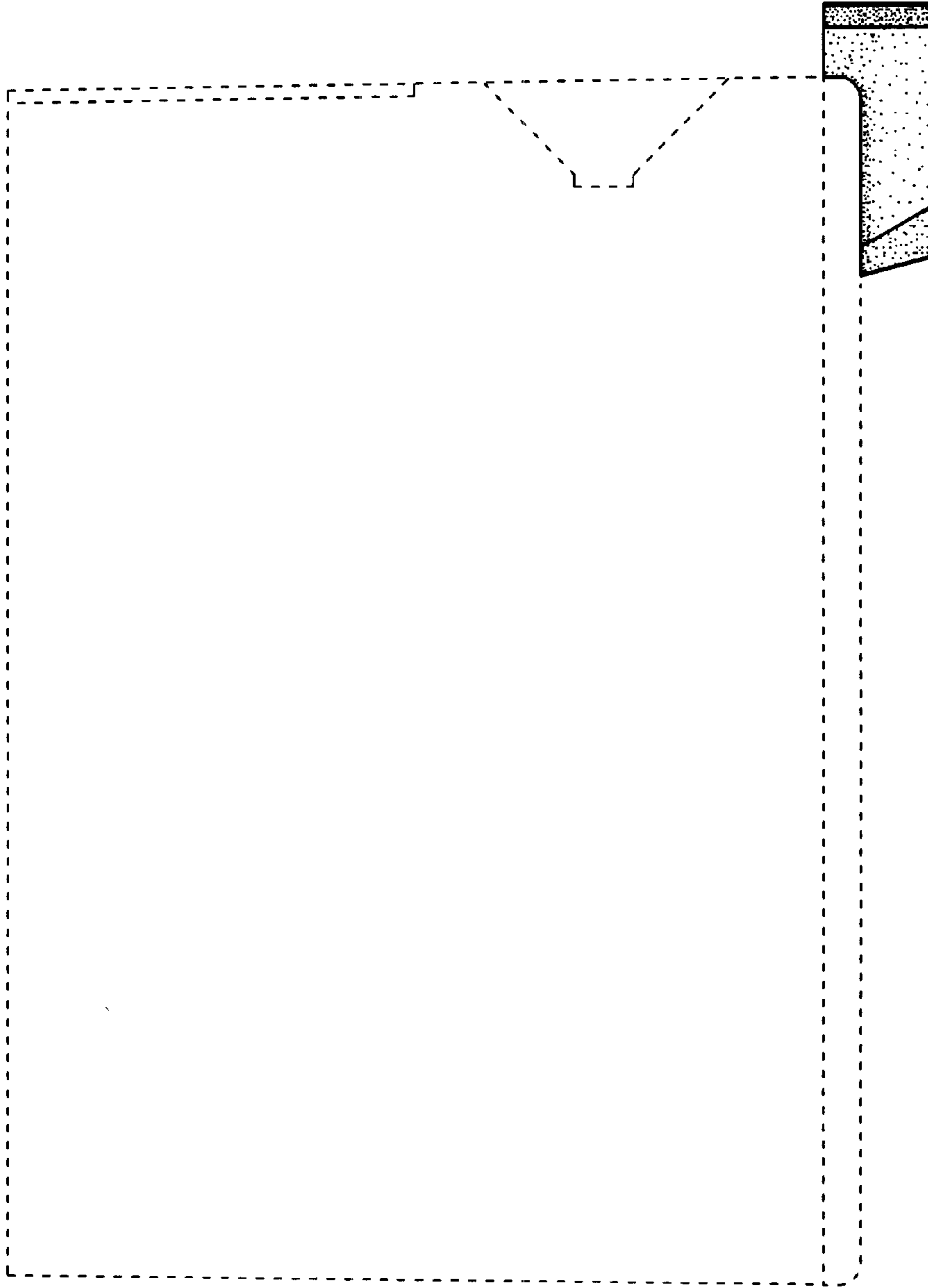


Fig. 1

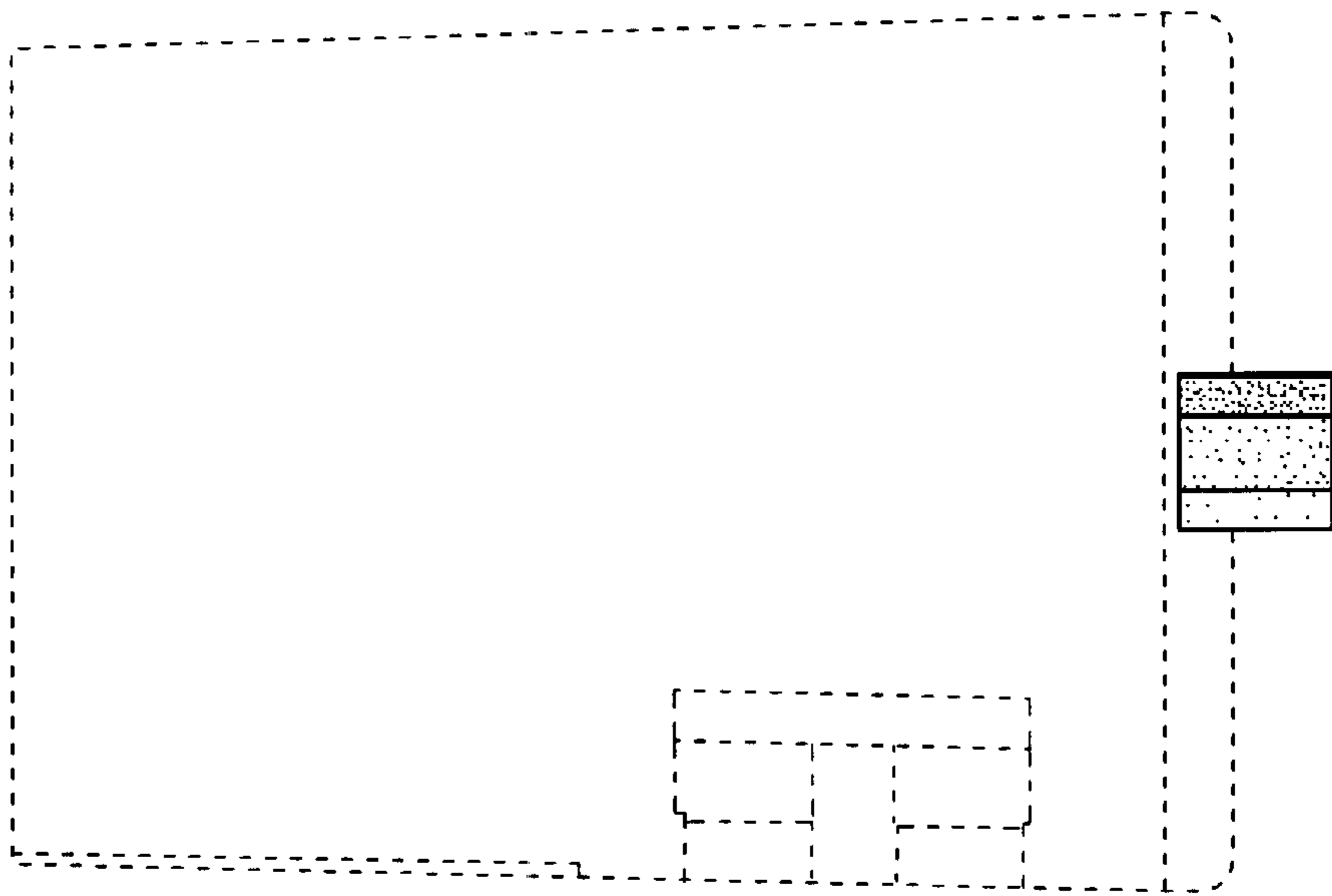


Fig. 2

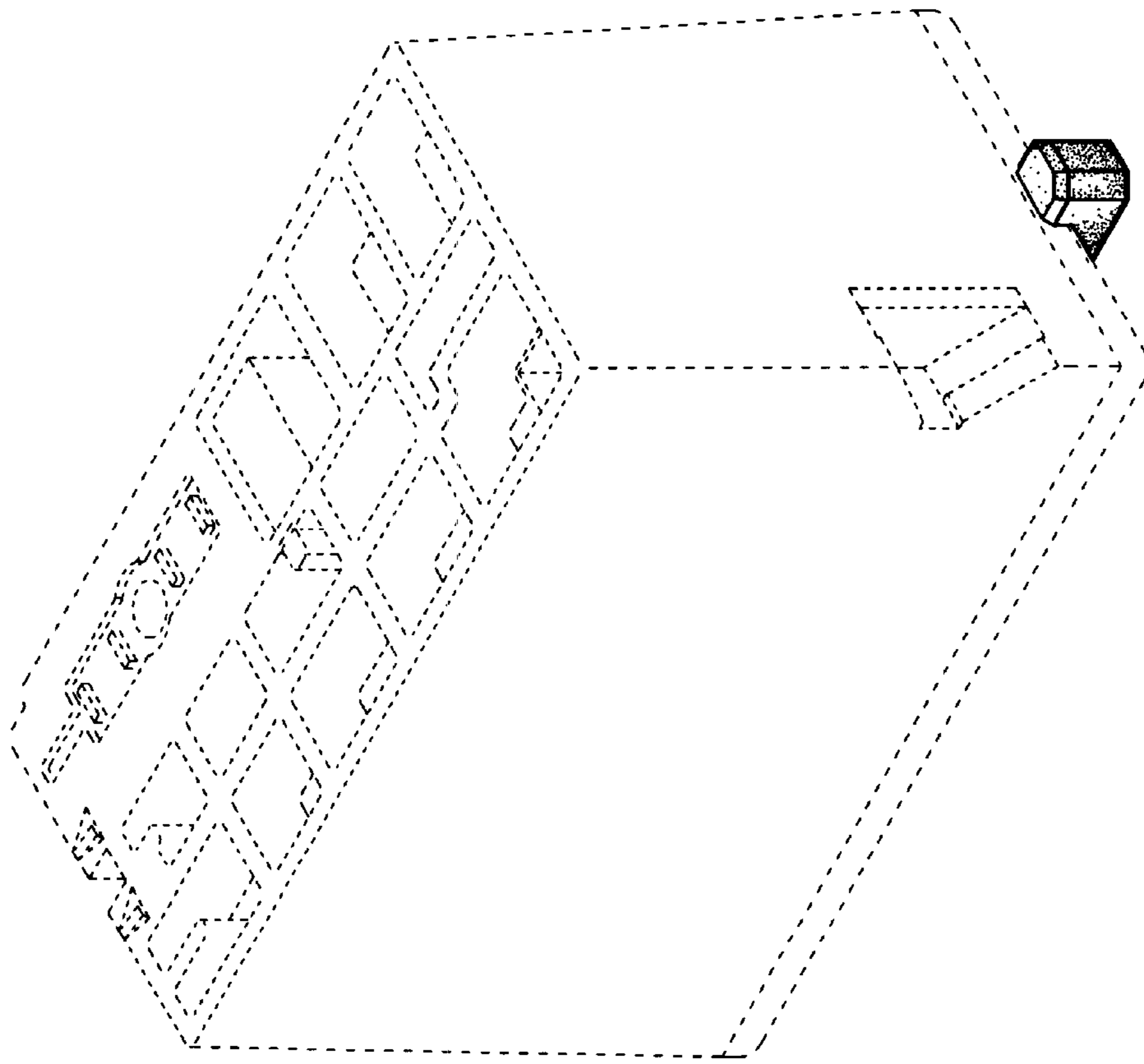


Fig. 3

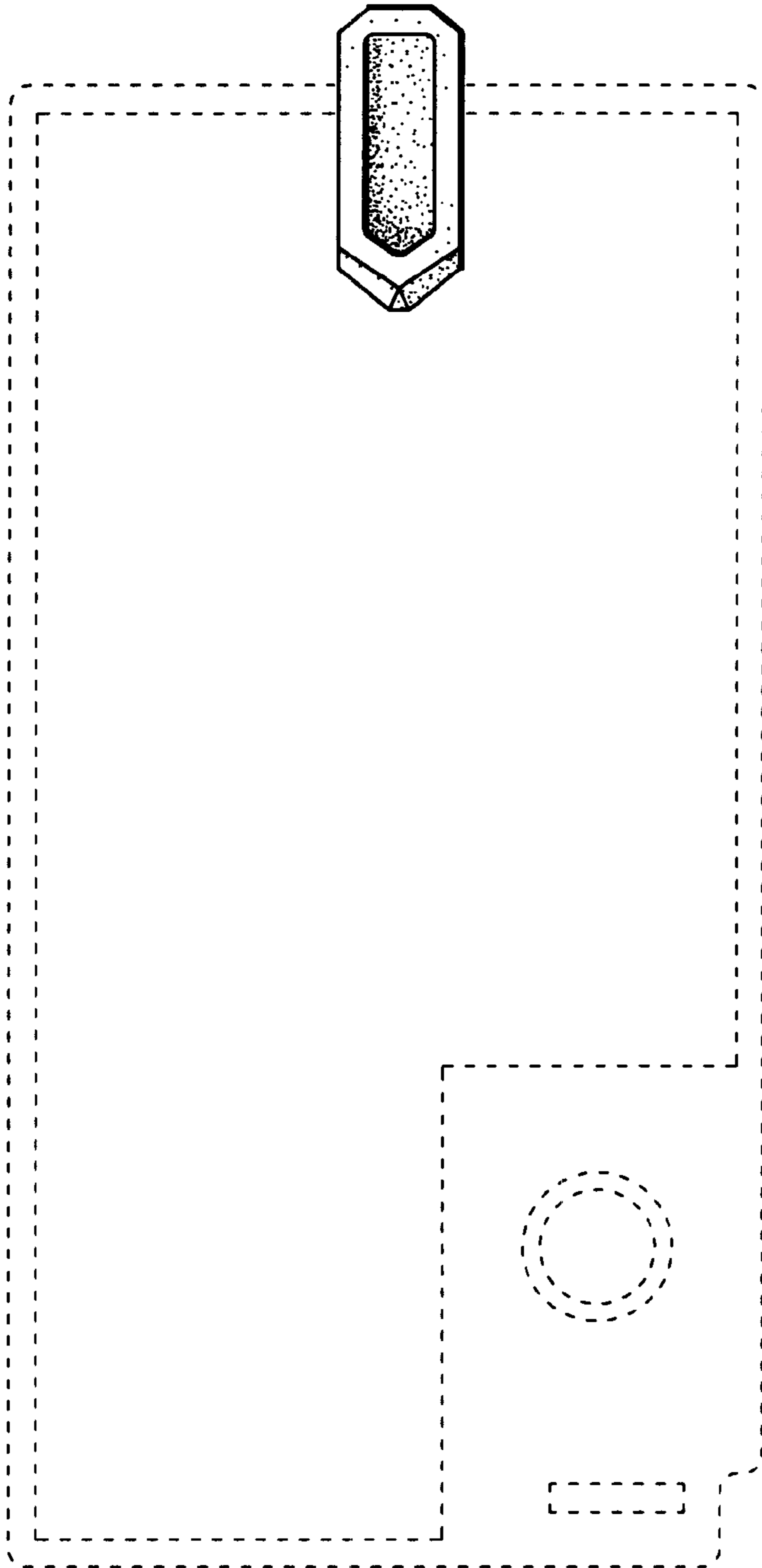


Fig. 4

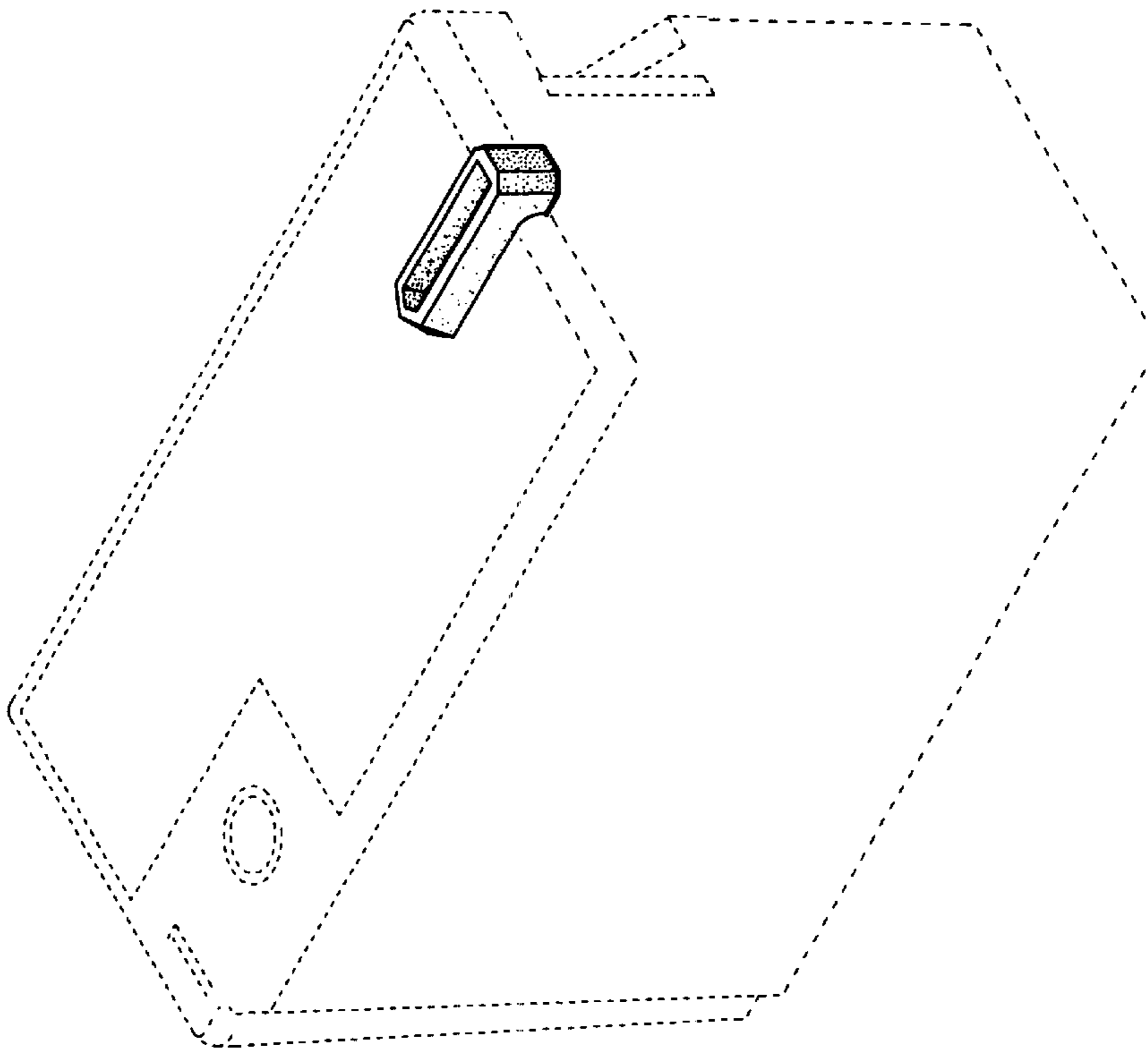


Fig. 5

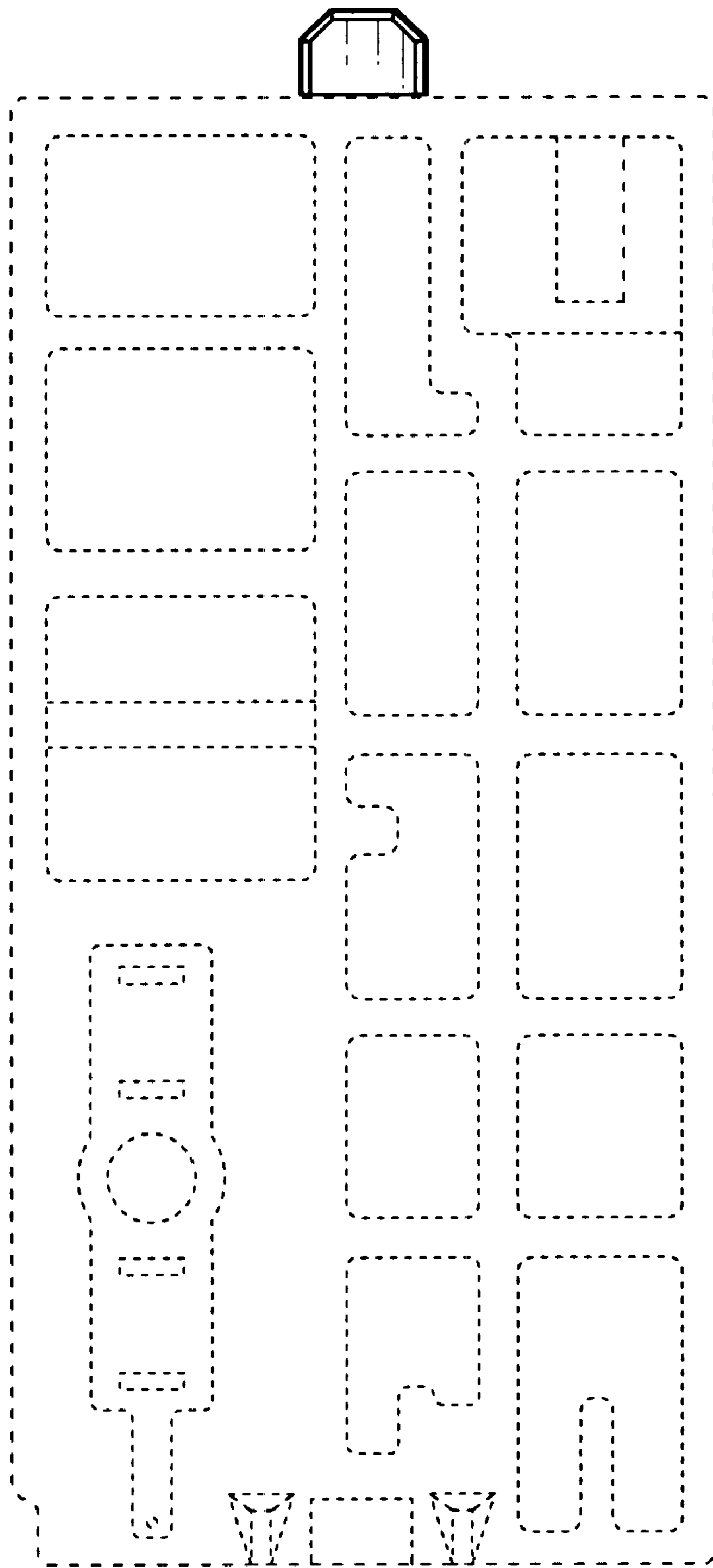


Fig. 6

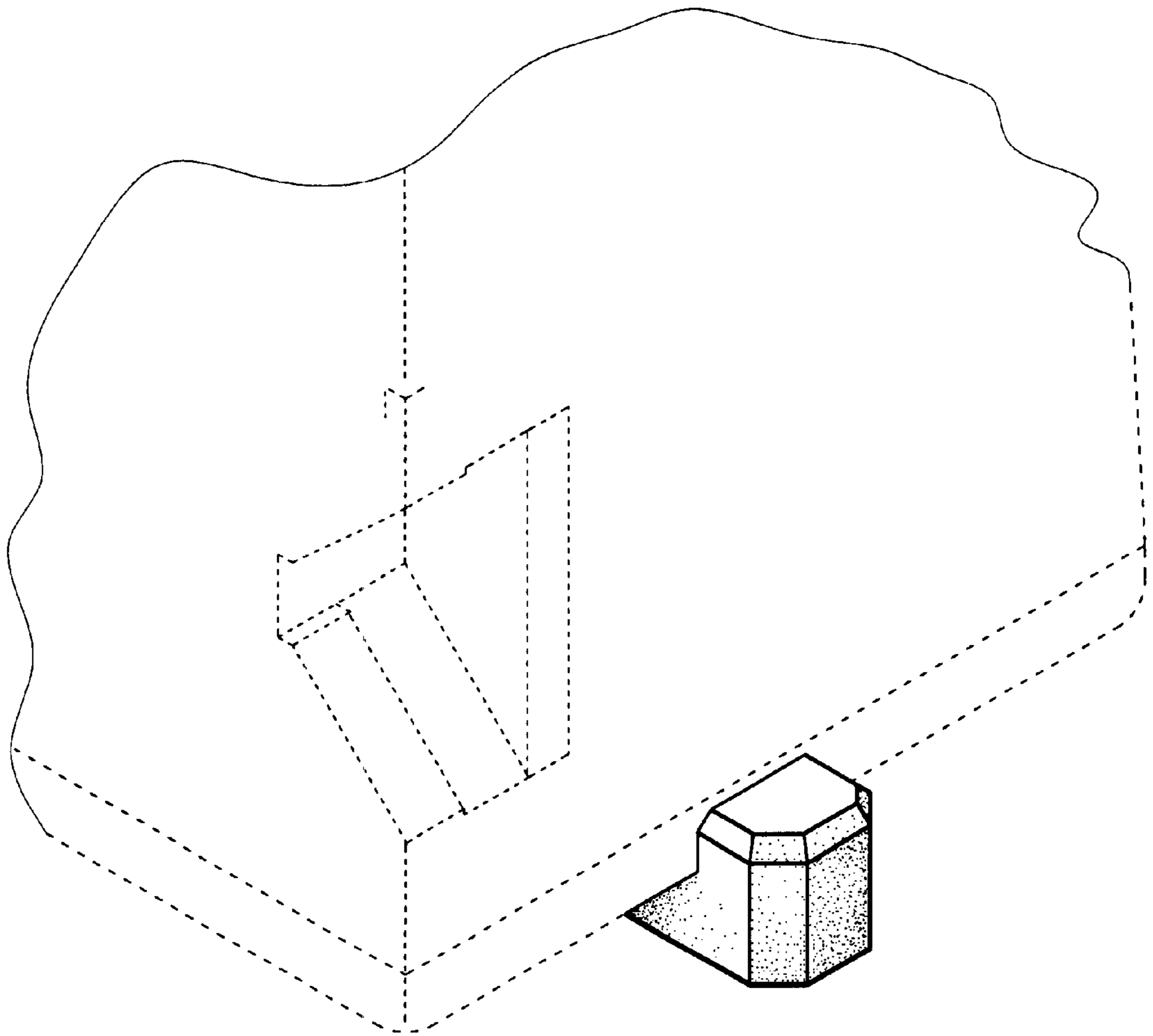


Fig. 7