



US00D452871B1

(12) **United States Design Patent**
Nappa

(10) **Patent No.:** **US D452,871 S**

(45) **Date of Patent:** **** Jan. 8, 2002**

(54) **TOY MAGNIFYING GLASS**

(75) **Inventor:** **Jon S. Nappa**, Baldwinsville, NY (US)

(73) **Assignee:** **Nappa Media, Ltd.**, Liverpool, NY (US)

(**) **Term:** **14 Years**

(21) **Appl. No.:** **29/139,482**

(22) **Filed:** **Mar. 30, 2001**

(51) **LOC (7) Cl.** **16-06**

(52) **U.S. Cl.** **D16/135; D21/483**

(58) **Field of Search** D16/130, 135;
D21/483, 515, 405; D6/300, 309; D14/126,
188, 137; 359/802, 803, 805, 809, 810

(56) **References Cited**

U.S. PATENT DOCUMENTS

- 2,322,441 A * 6/1943 Holliday D16/135
- D147,765 S * 10/1947 Silbernagal D16/135
- D200,479 S * 3/1965 McLeod D21/405

- D333,313 S * 2/1993 Hornschu et al. D16/135
- D372,746 S * 8/1996 Mathews D21/483
- D395,907 S * 7/1998 Calello D16/135
- D440,243 S * 4/2001 Jacquet D16/135

* cited by examiner

Primary Examiner—Paula A. Mortimer

(74) *Attorney, Agent, or Firm*—Lawrence P. Trapani

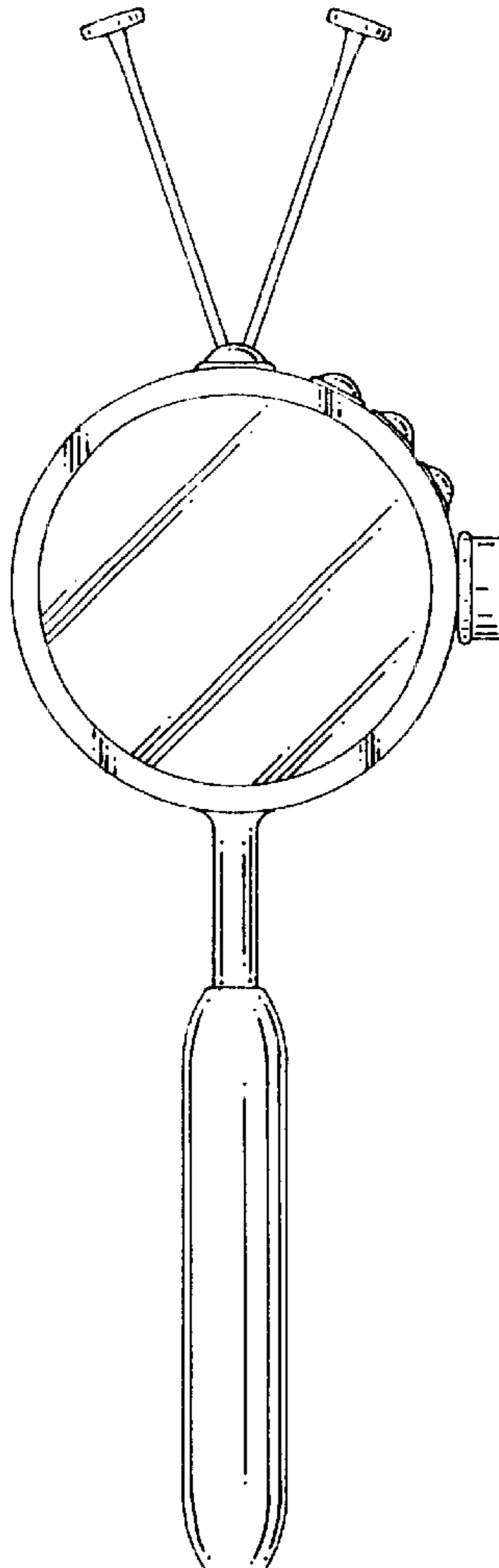
(57) **CLAIM**

The ornamental design for a toy magnifying glass, as shown and described.

DESCRIPTION

FIG. 1 is a front elevation view of a toy magnifying glass showing my new design;
 FIG. 2 is a left side elevation view thereof;
 FIG. 3 is a right side elevation view thereof;
 FIG. 4 is a top plan view thereof;
 FIG. 5 is a bottom plan view thereof; and,
 FIG. 6 is a rear elevation view thereof.

1 Claim, 1 Drawing Sheet



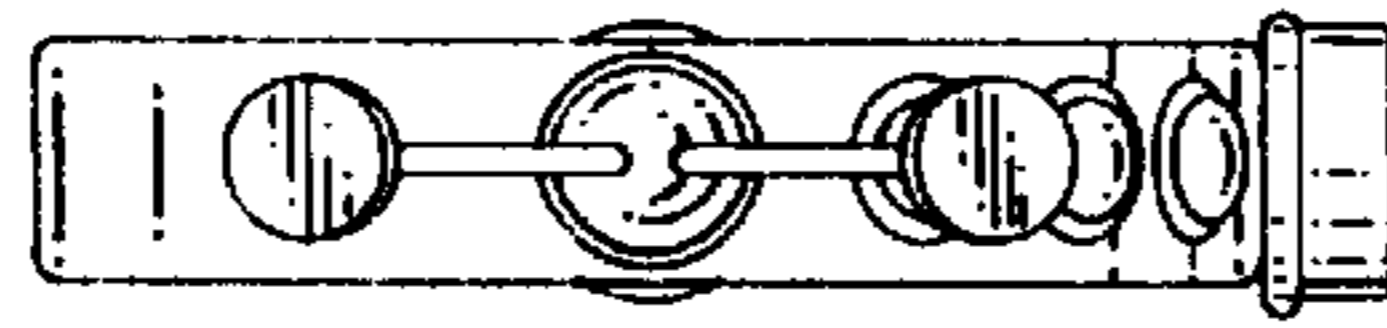


FIG. 4



FIG. 3

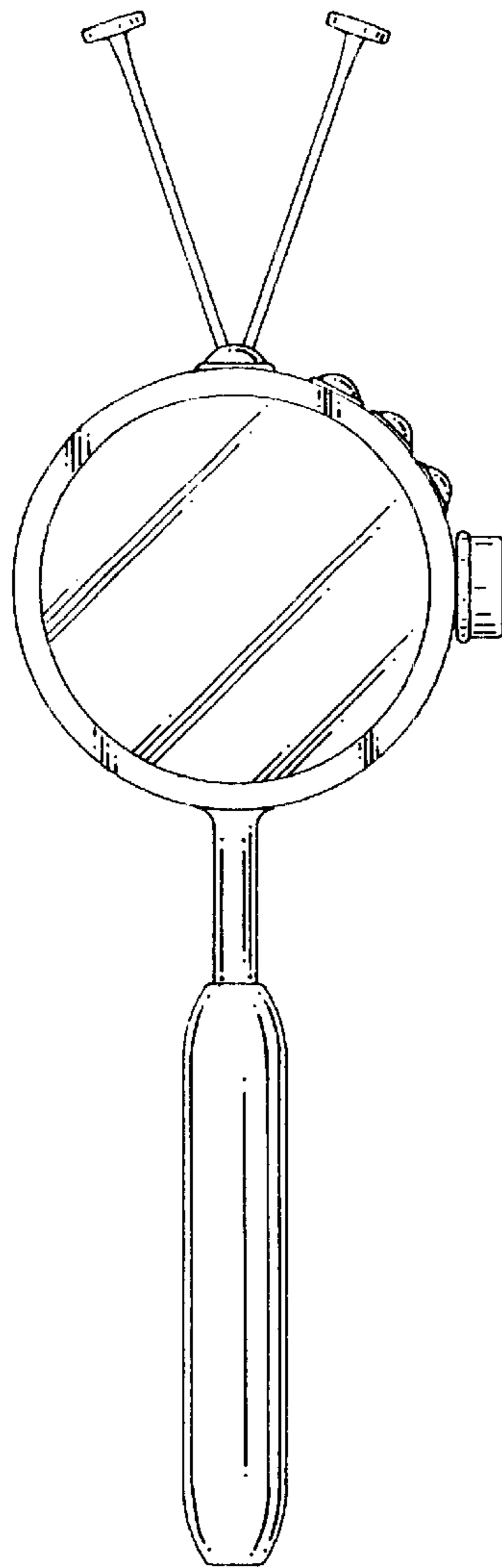


FIG. 1



FIG. 2

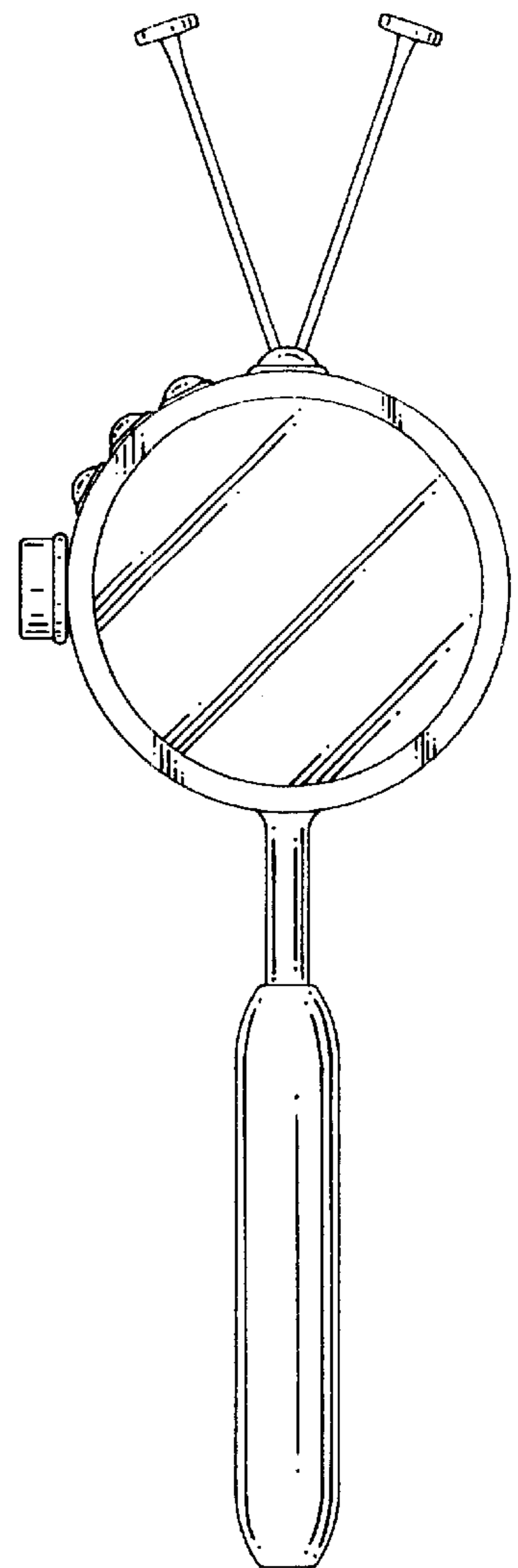


FIG. 6



FIG. 5