



US00D452870B1

(12) **United States Design Patent**
Hansson et al.

(10) **Patent No.:** **US D452,870 S**
(45) **Date of Patent:** **** Jan. 8, 2002**

(54) **CUTTING INSERT FOR CHIP FORMING MACHINING**

5,382,119 A 1/1995 Mihic
6,000,885 A 12/1999 Erikson

(75) Inventors: **Per Hansson**, Gävle; **Claes Andersson**, Valbo, both of (SE)

Primary Examiner—Antoine Duval Davis
(74) *Attorney, Agent, or Firm*—Burns, Doane, Swecker & Mathis, L.L.P.

(73) Assignee: **Sandvik AB**, Sandviken (SE)

(57) **CLAIM**

(**) Term: **14 Years**

The ornamental design for a cutting insert for chip forming machining, as shown and described.

(21) Appl. No.: **29/141,648**

DESCRIPTION

(22) Filed: **May 11, 2001**

Related U.S. Application Data

(62) Division of application No. 29/128,791, filed on Aug. 31, 2000, now Pat. No. Des. 444,156, and a division of application No. 29/128,792, filed on Aug. 31, 2000, now Pat. No. Des. 443,284.

FIG. 1 is a front end, top perspective view of a cutting insert for chip forming machining showing our new design; FIG. 2 is a top plan view thereof; FIG. 3 is a bottom plan view thereof; FIG. 4 is a side elevational view thereof; FIG. 5 is a side elevational view of the other side thereof; FIG. 6 is a front end elevational view thereof; FIG. 7 is a rear end view thereof; FIG. 8 is a front end, top perspective view of a cutting insert for chip forming machining showing a second embodiment of our new design; FIG. 9 is a top plan view thereof; FIG. 10 is a bottom plan view thereof; FIG. 11 is a side elevational view thereof; FIG. 12 is a side elevational view of the other side thereof; FIG. 13 is a front end elevational view thereof; and, FIG. 14 is a rear end view thereof.

(30) **Foreign Application Priority Data**

Mar. 2, 2000 (SE) 00-0424
Mar. 2, 2000 (SE) 00-0426

(51) **LOC (7) Cl.** **15-09**

(52) **U.S. Cl.** **D15/139**

(58) **Field of Search** D15/139; 407/116, 407/117

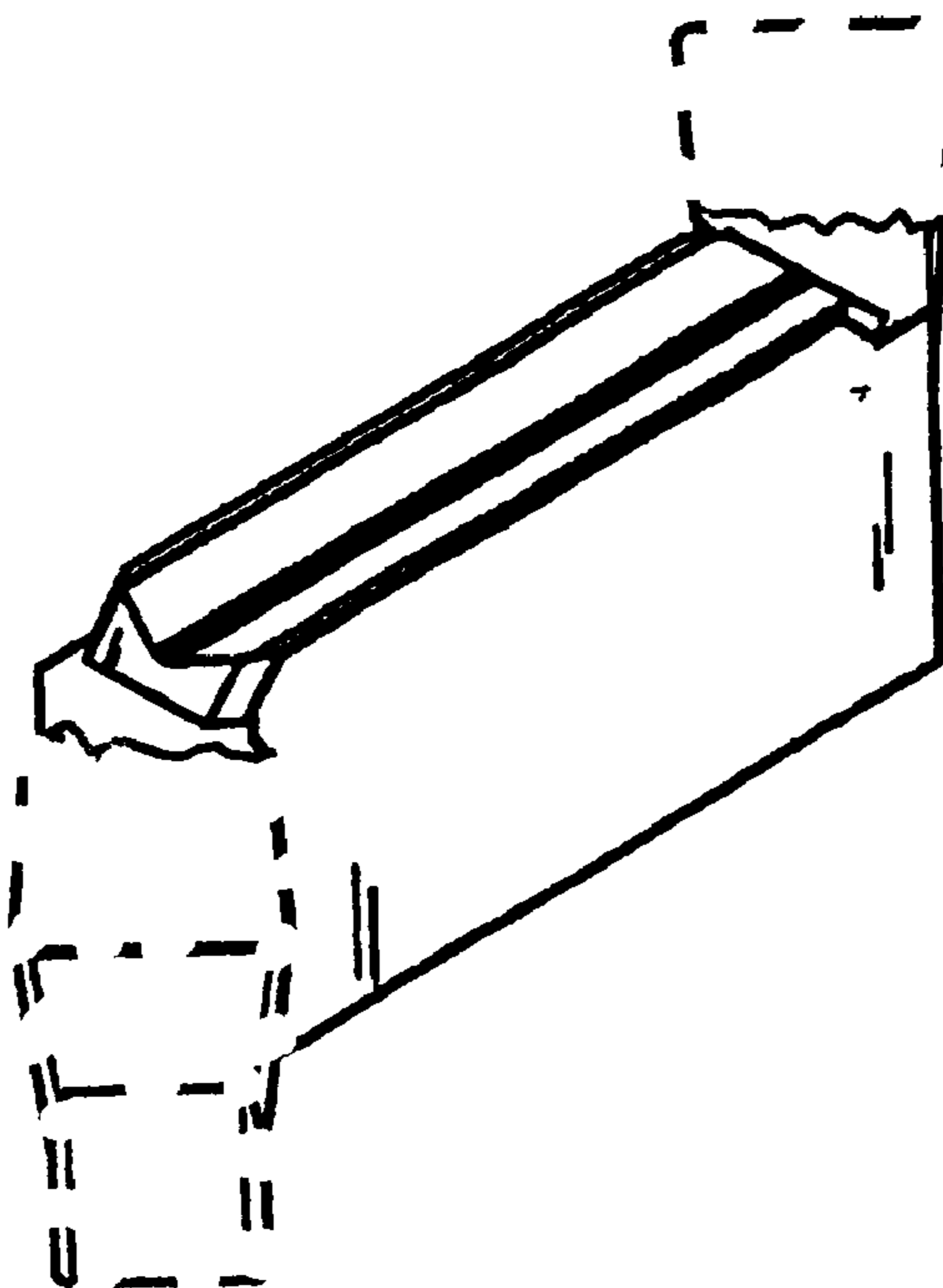
The broken line showing in the figures is for illustrative purposes only and forms no part of the claimed design.

(56) **References Cited**

U.S. PATENT DOCUMENTS

3,894,322 A 7/1975 Pano
D271,497 S 11/1983 Green
5,004,379 A 4/1991 Little

1 Claim, 4 Drawing Sheets



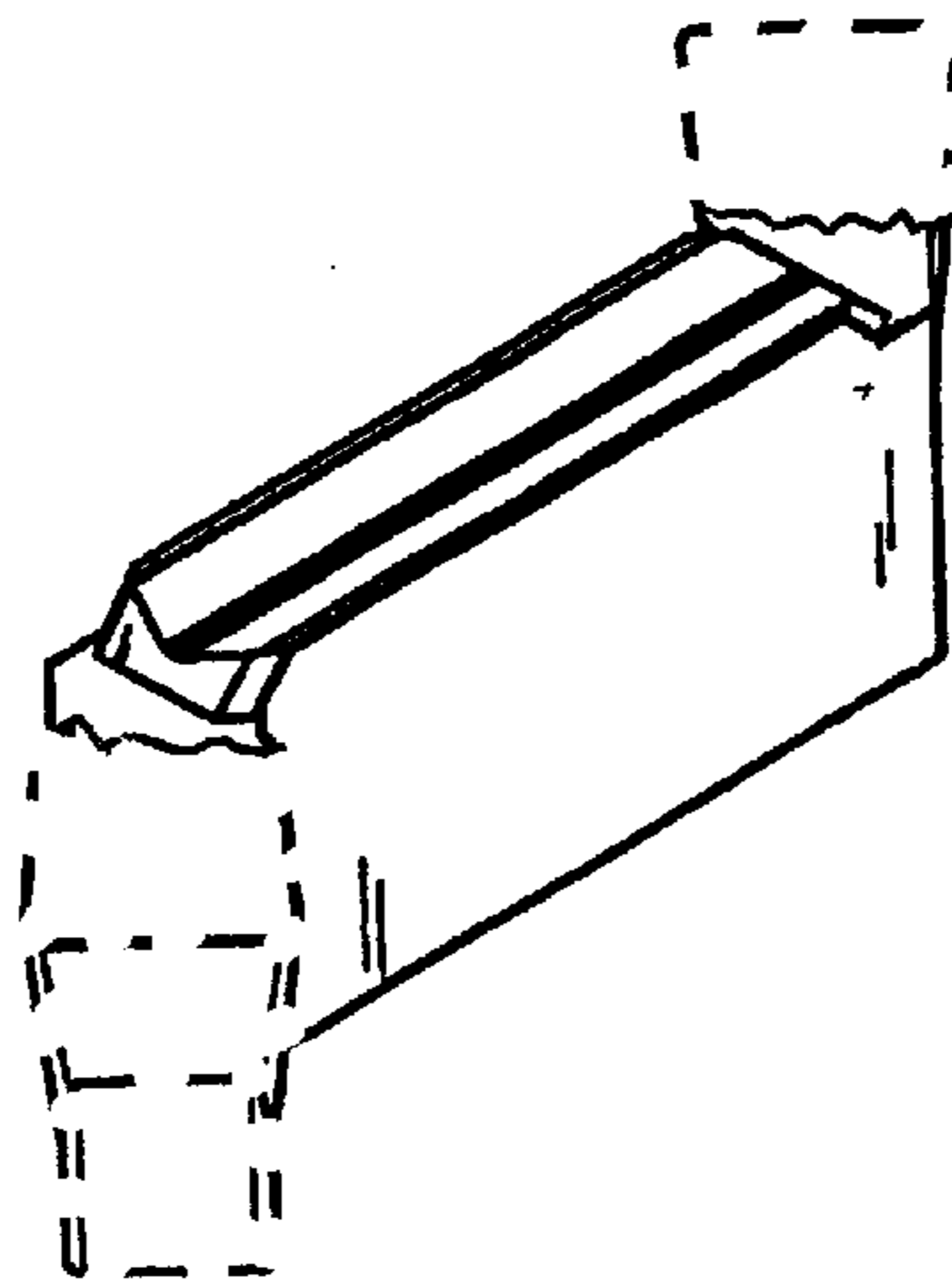


FIG. 1

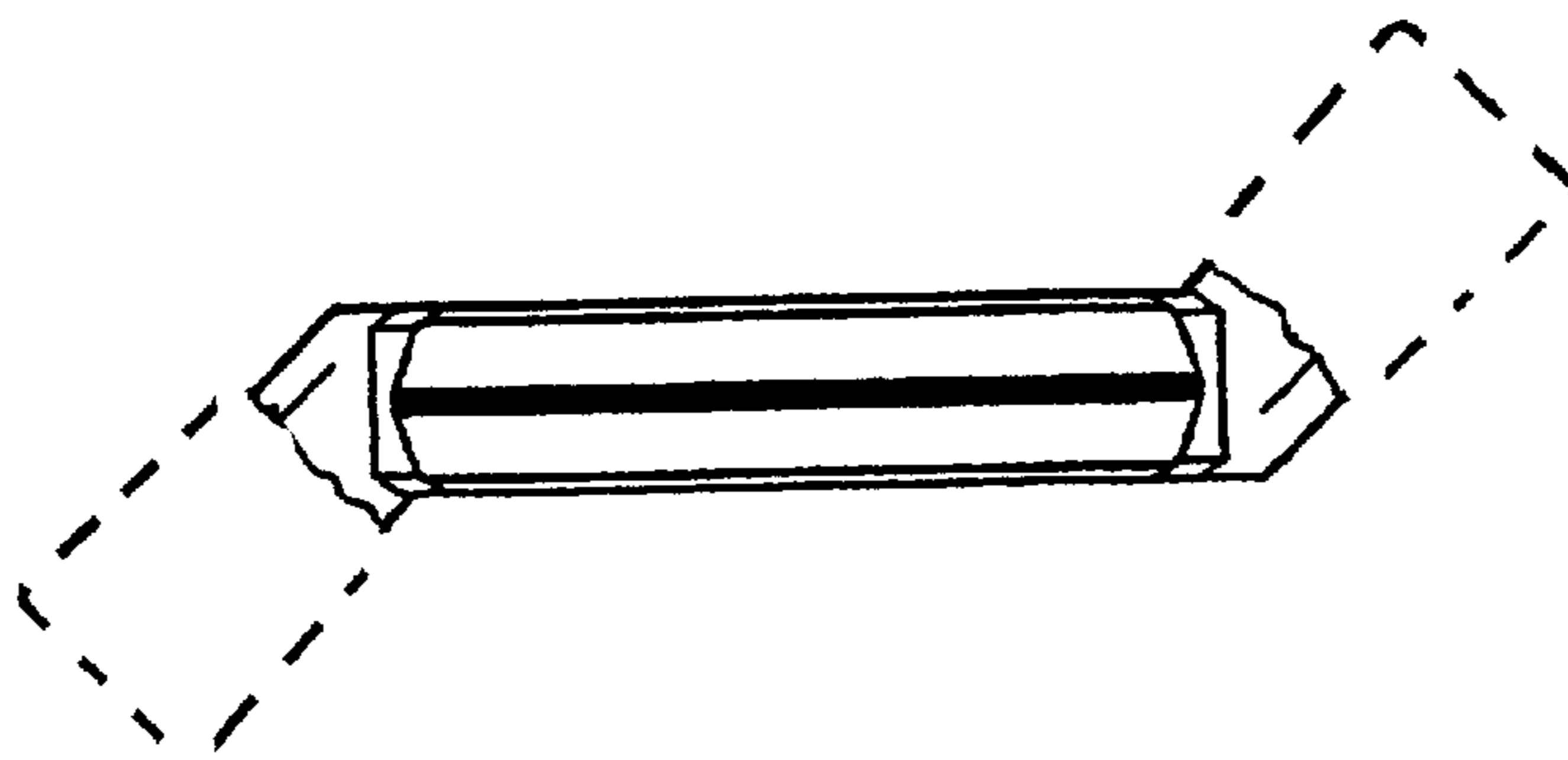


FIG. 2

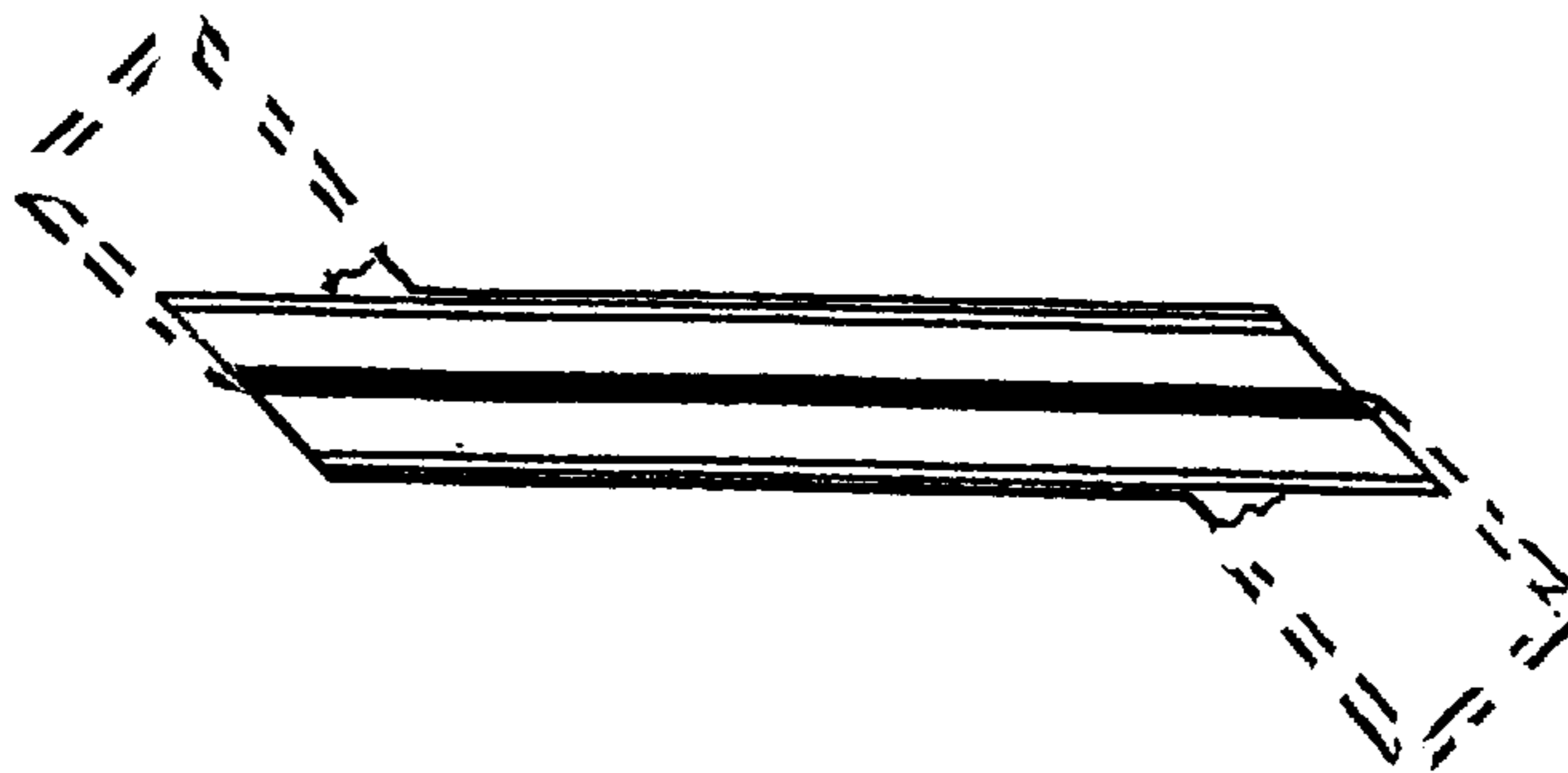


FIG. 3

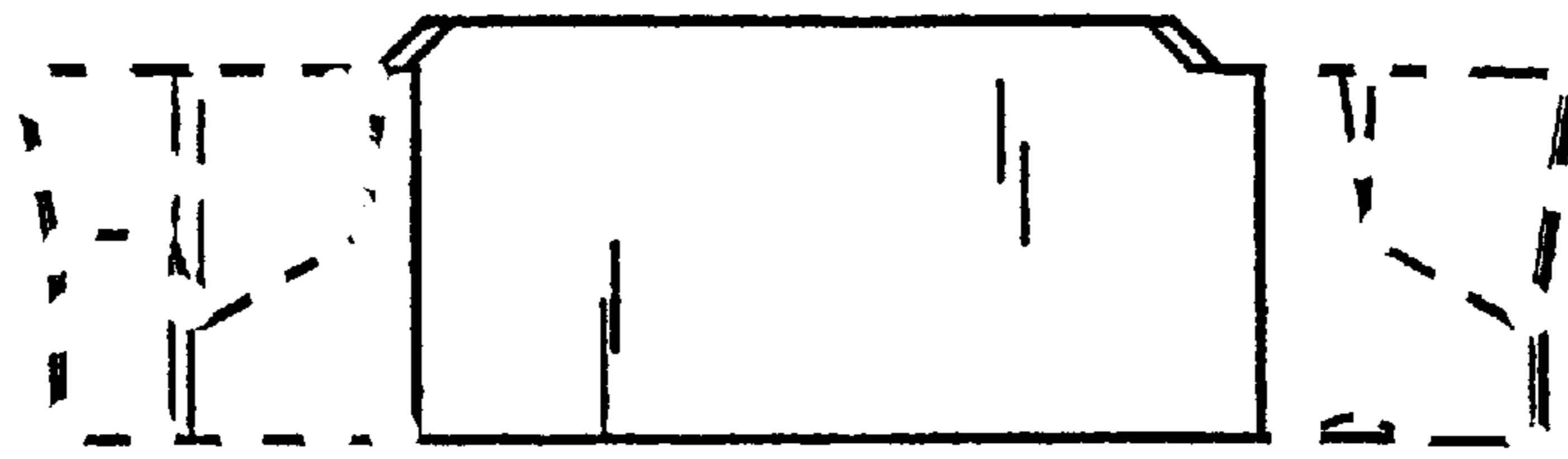


FIG. 4

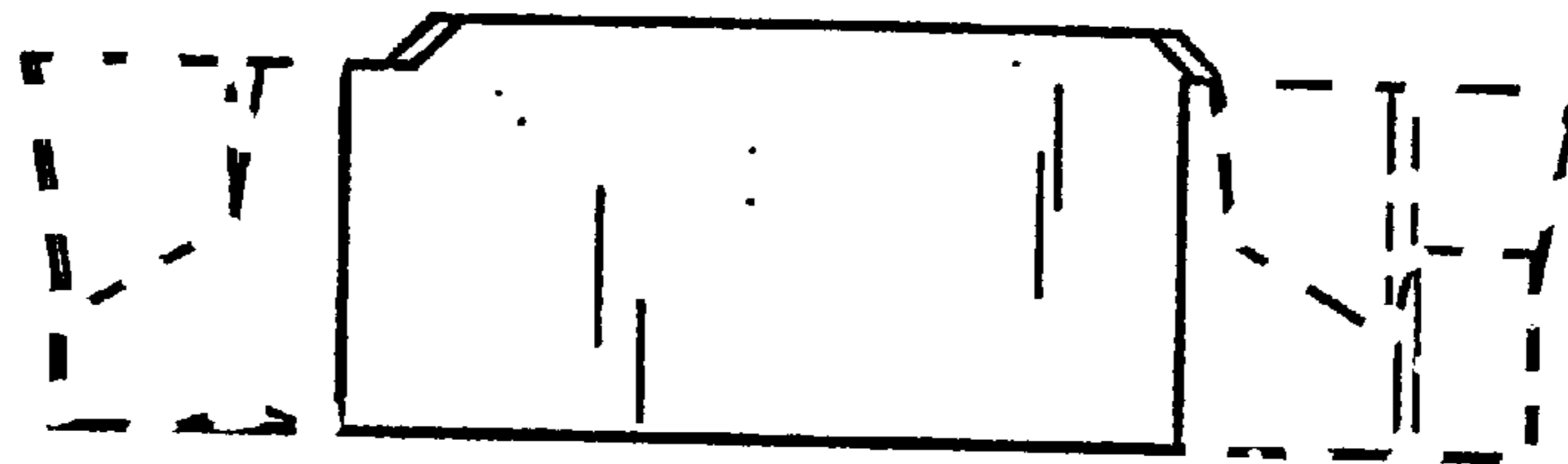


FIG. 5

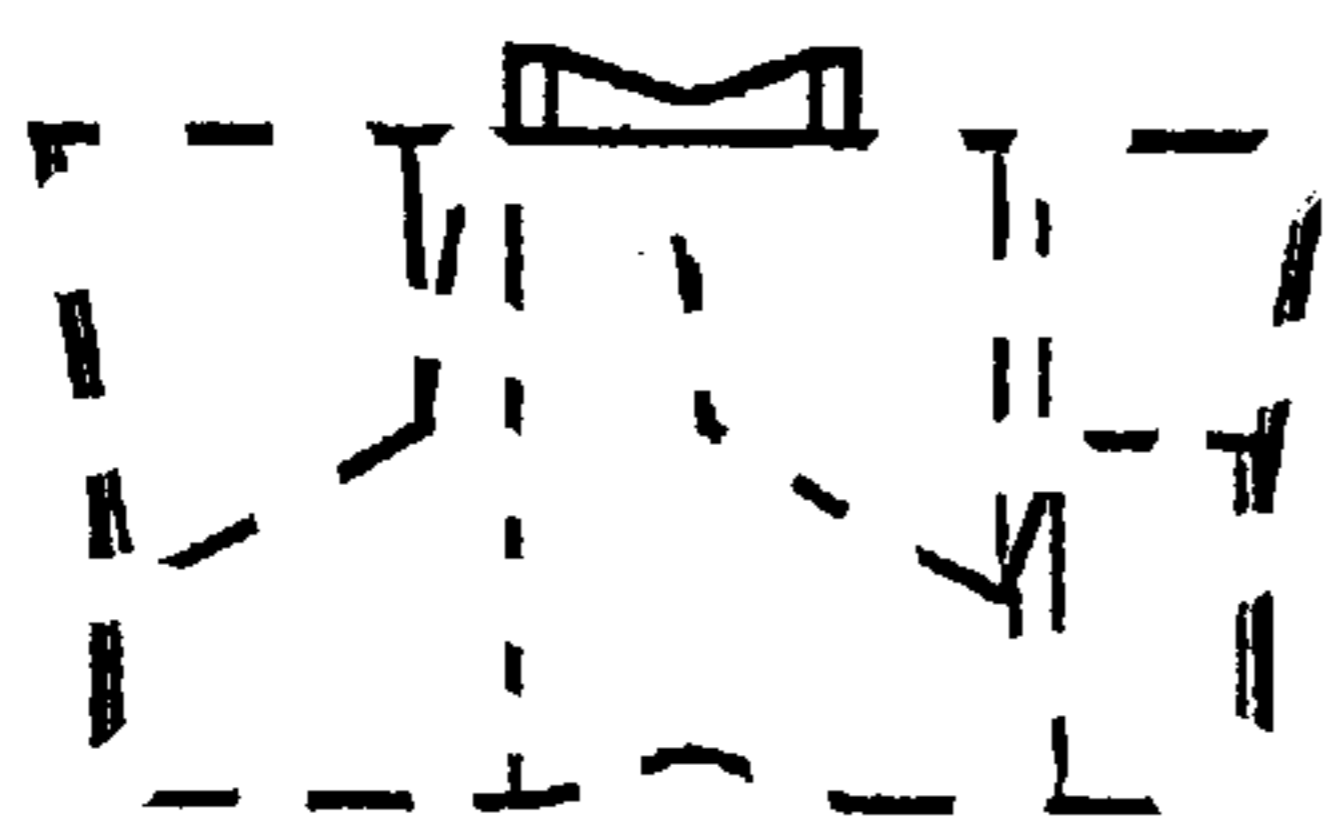


FIG. 6



FIG. 7

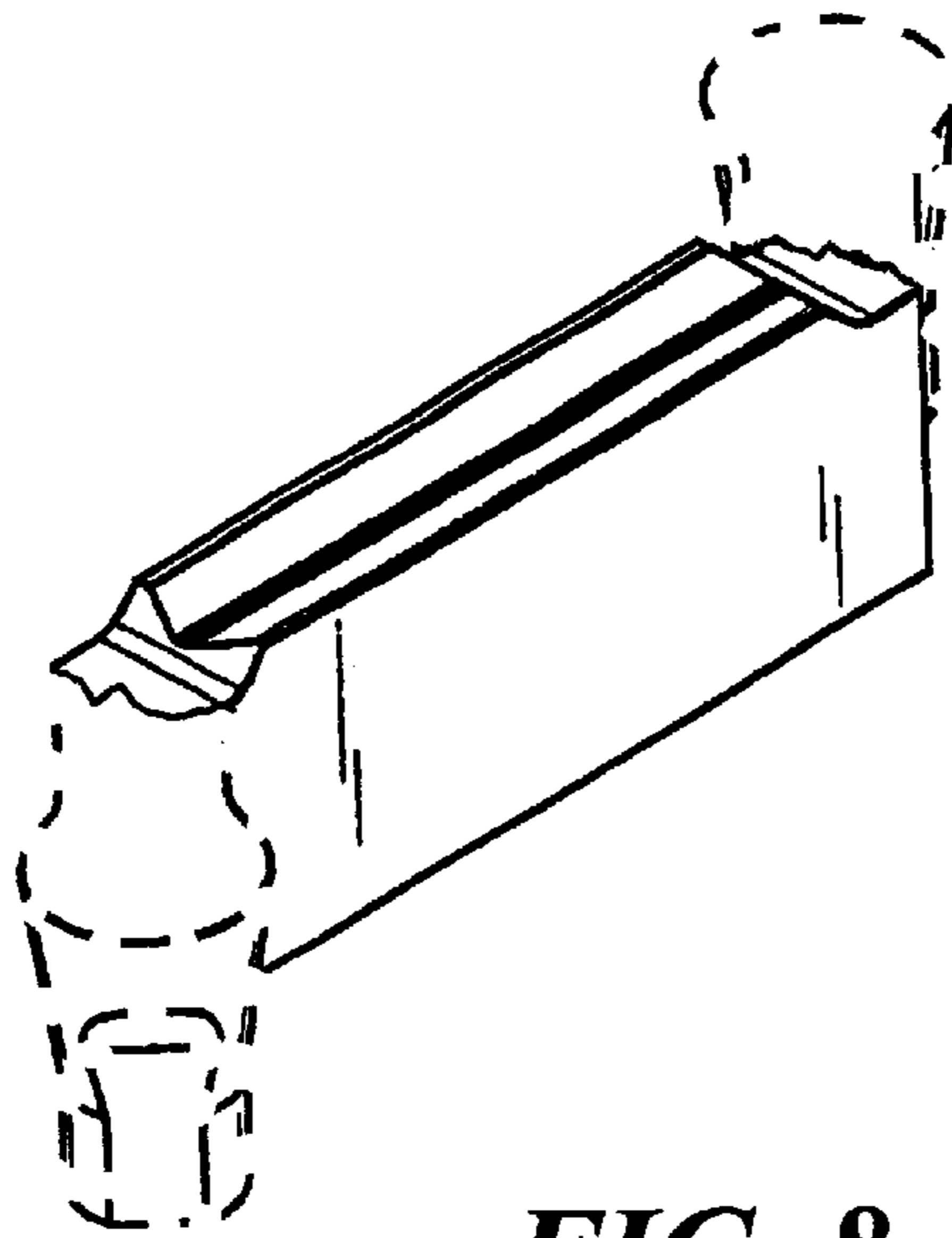


FIG. 8



FIG. 9

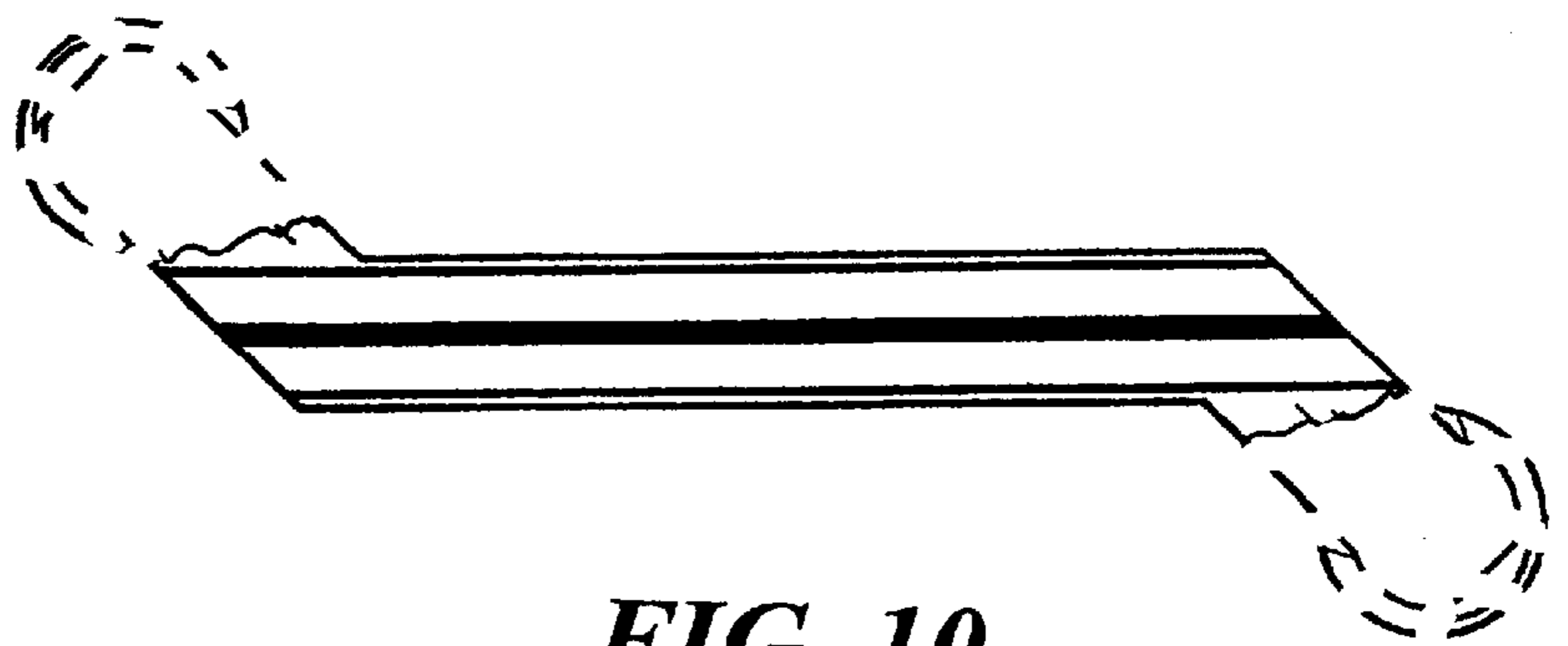


FIG. 10

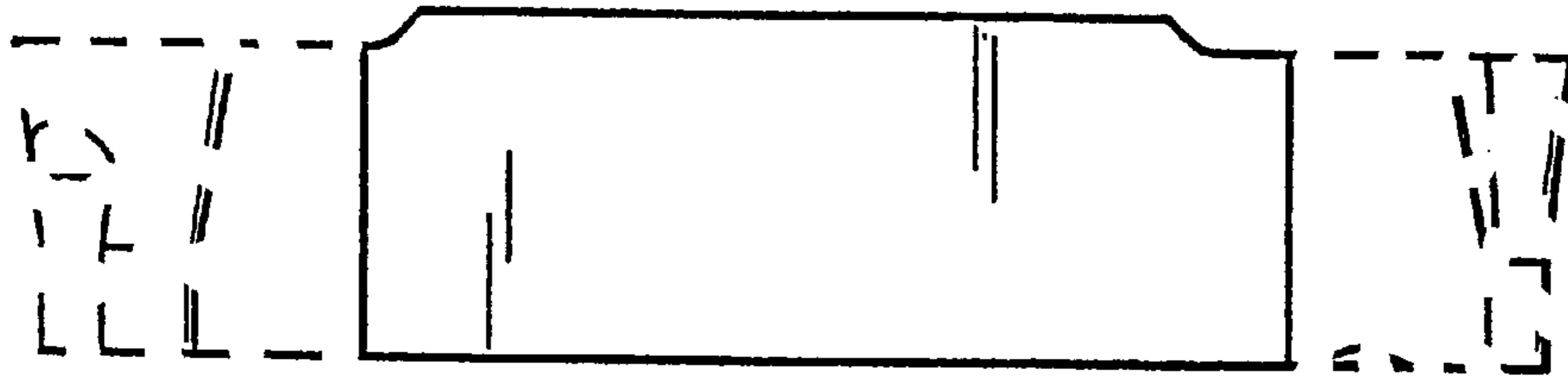


FIG. 11

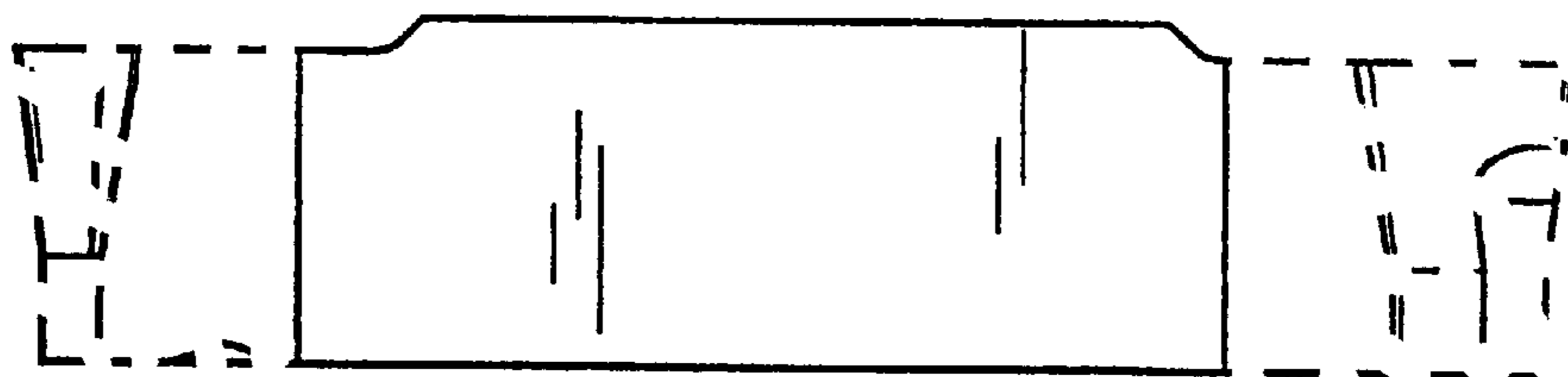


FIG. 12



FIG. 13

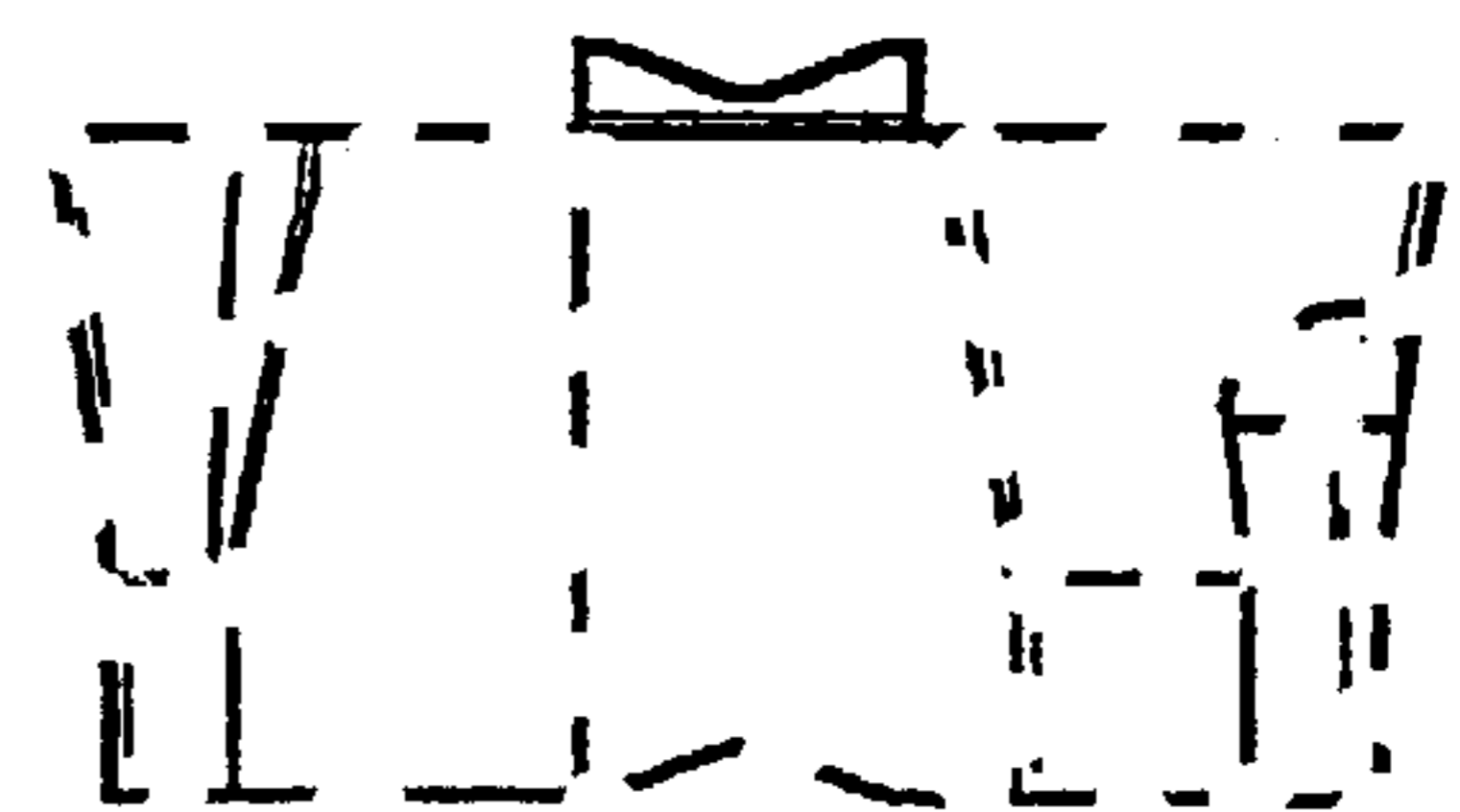


FIG. 14