



US00D452867B1

(12) **United States Design Patent**
Goto

(10) **Patent No.:** **US D452,867 S**

(45) **Date of Patent:** **** Jan. 8, 2002**

(54) **SUPPORT BASE FOR AN ELECTRIC DEVICE SUCH AS A COMPUTER, TV CONTROLLER, VIDEO GAME MACHINE, OR AUDIO OR VIDEO DISC PLAYER**

D416,878 S * 11/1999 Yeh et al.

FOREIGN PATENT DOCUMENTS

DE 9602827 12/1996
JP 1035752 4/1999

OTHER PUBLICATIONS

“InfoMac,” MACWORLD Expo Taiwan, Feb. 1996.
“The Third Wave,” p. 38, May 1998.
“Storage Plus,” p. 408, Computer Product, Jan. 1996.
“PlayStation2” Atari, FALCON 040 (1993), Oct. 1999, <http://www.iris.dti.ne.jp/~spe/game/ps2/ps2.htm>.
“ATARI FALCON 030” Atari MicroBox, <http://www.best.com/~hmk/afcon.htm>, 1993.

* cited by examiner

Primary Examiner—M. H. Tung

(74) *Attorney, Agent, or Firm*—Rader, Fishman & Grauer, PLLC

(75) Inventor: **Teiyu Goto**, Tokyo (JP)

(73) Assignee: **Sony Computer Entertainment Inc.**, Tokyo (JP)

(**) Term: **14 Years**

(21) Appl. No.: **29/115,731**

(22) Filed: **Dec. 21, 1999**

(30) **Foreign Application Priority Data**

Aug. 26, 1999 (JP) 11-22648

(51) **LOC (7) Cl.** **14-02**

(52) **U.S. Cl.** **D14/447**

(58) **Field of Search** D14/439-47, 217, D14/239, 299, 126; D21/324, 333; D6/449, 491, 445, 396, 512; 248/125.1, 127, 133, 177.1, 178.1, 179.1, 183.1, 346.01, 346.02, 188.2, 917-24; 200/5 R, 5 A, 6 R, 6 A; 361/679-85; D13/184, 199

(56) **References Cited**

U.S. PATENT DOCUMENTS

D270,026 S * 8/1983 Whitford
D287,365 S * 12/1986 Judd
4,856,659 A * 8/1989 Krebs
D330,021 S * 10/1992 Kline et al.
D330,705 S * 11/1992 Gowda et al.
D338,882 S * 8/1993 Reiter
D349,696 S * 8/1994 Hames
D350,536 S 9/1994 NcKnight et al. D14/114
D361,561 S * 8/1995 Baudot
D362,245 S * 9/1995 Moffatt
D383,728 S 9/1997 Yurkonis et al. D14/100

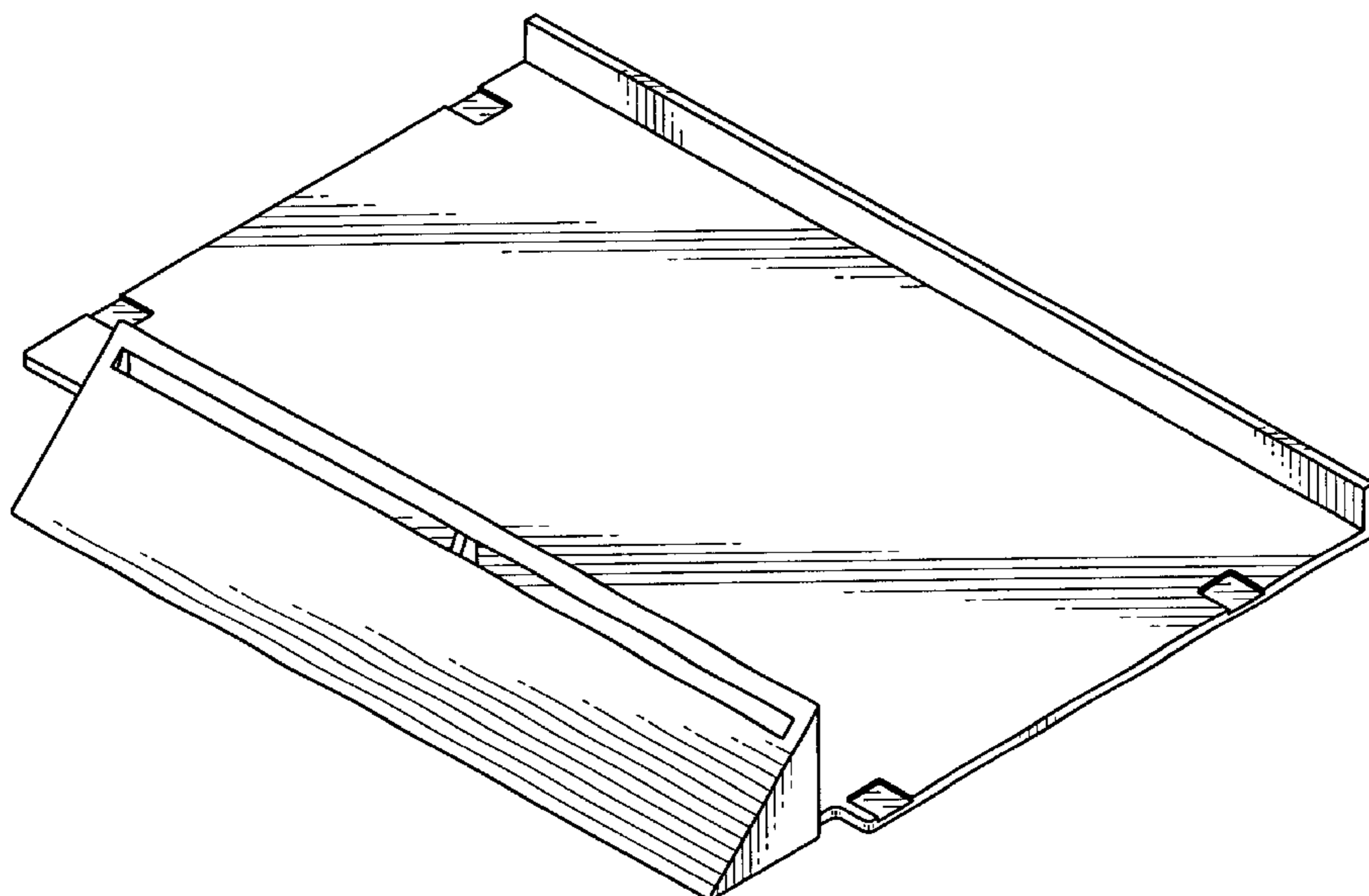
(57) **CLAIM**

The ornamental design for a support base for an electric device such as a computer, TV controller, video game machine, or audio or video disc player, as shown and described.

DESCRIPTION

FIG. 1 is a perspective view of a support base for an electric device such as a computer, TV controller, video game machine, or audio or video disc player showing my new design, on a reduced scale;
FIG. 2 is a front elevational view thereof;
FIG. 3 is a top plan view thereof;
FIG. 4 is a rear elevational view thereof;
FIG. 5 is a left side elevational view thereof;
FIG. 6 is a right side elevational view thereof; and,
FIG. 7 is a bottom plan view thereof.

1 Claim, 2 Drawing Sheets



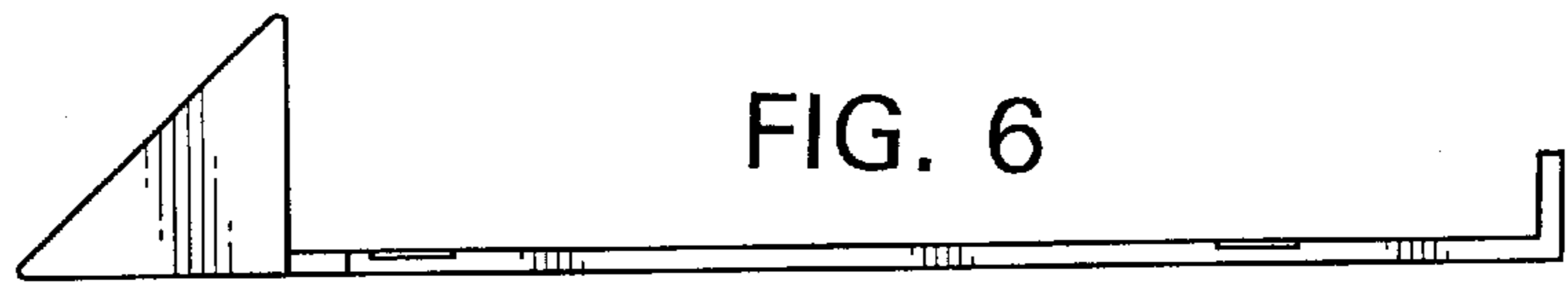


FIG. 6

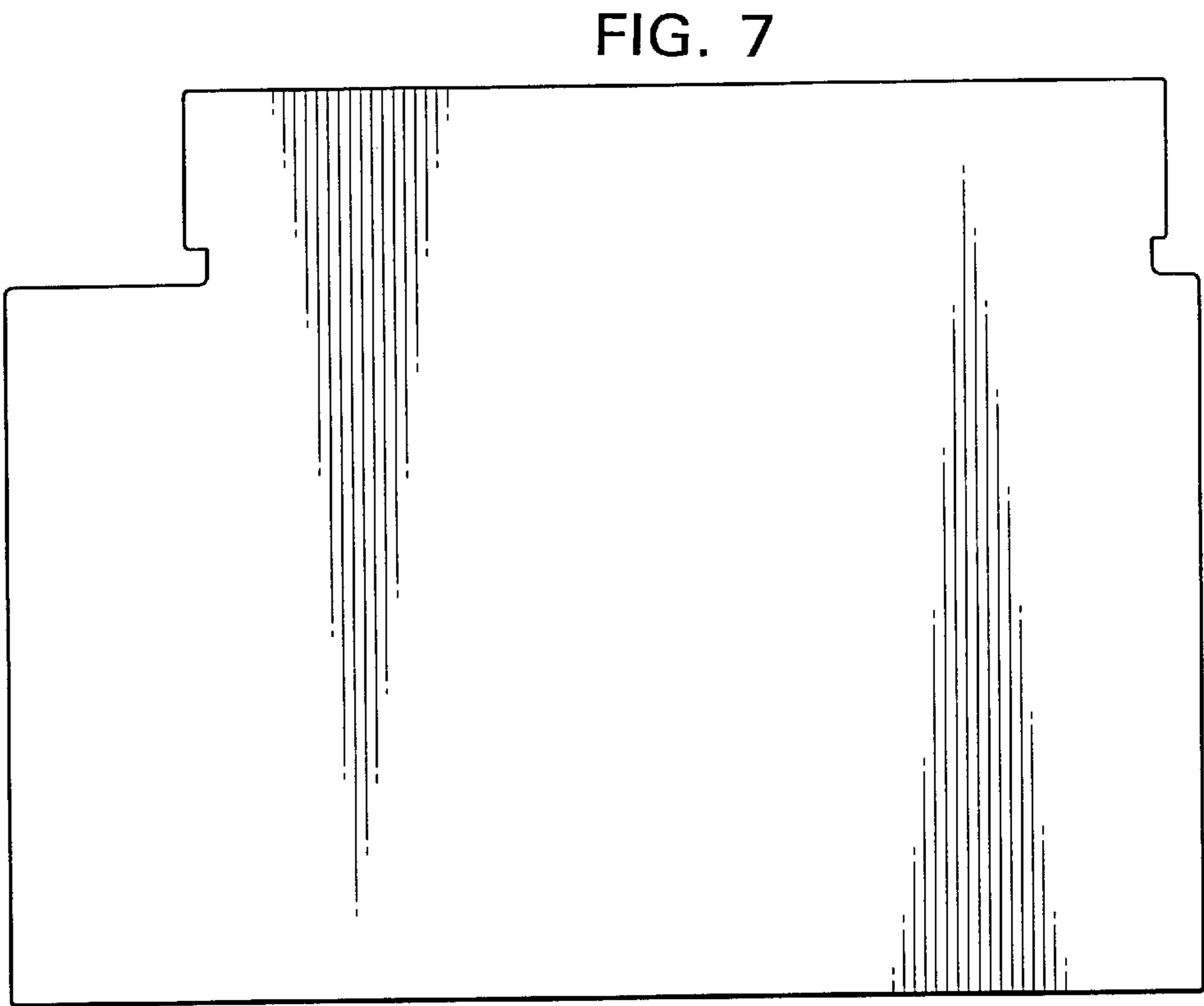


FIG. 7

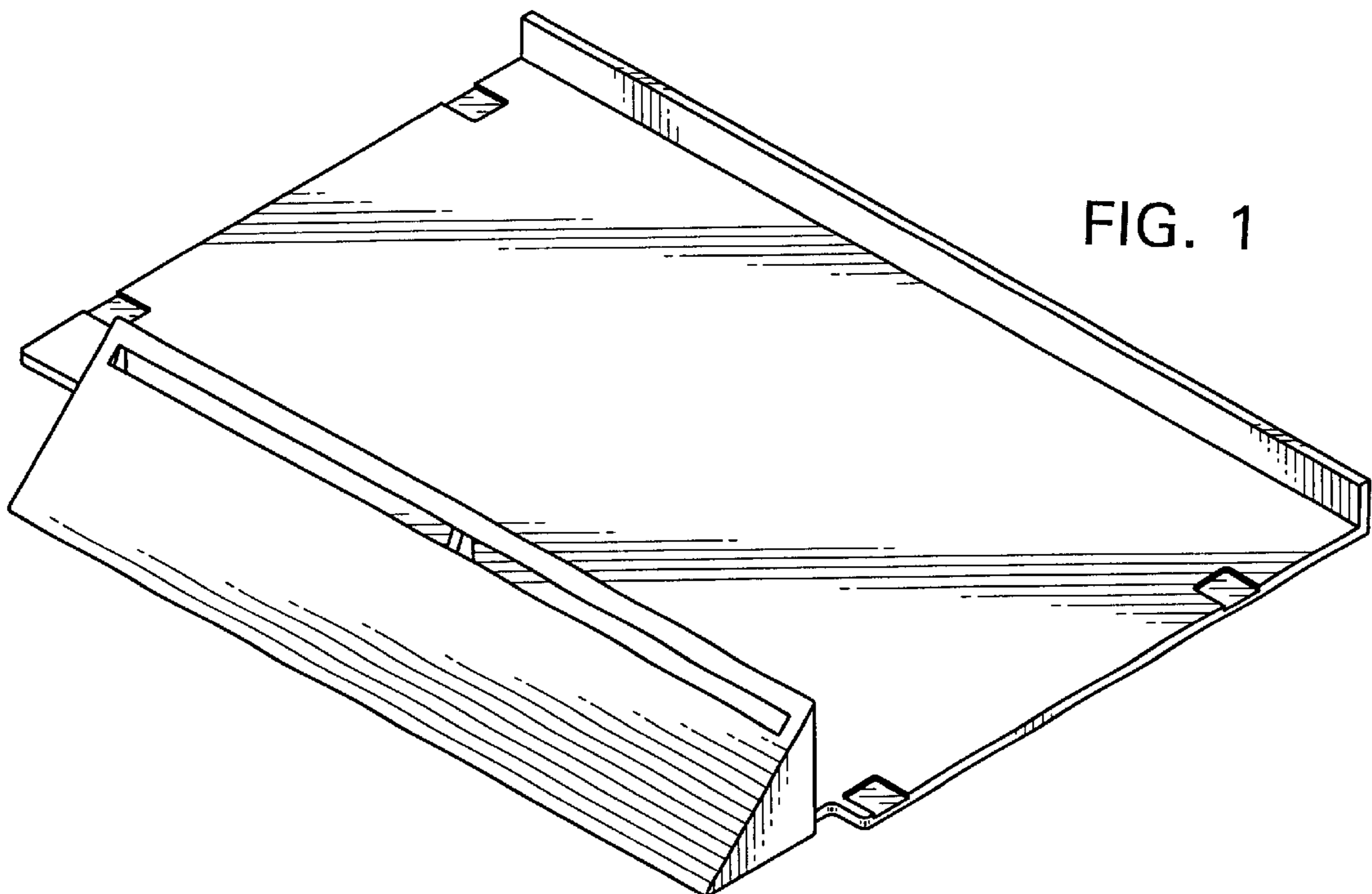


FIG. 1

FIG. 2

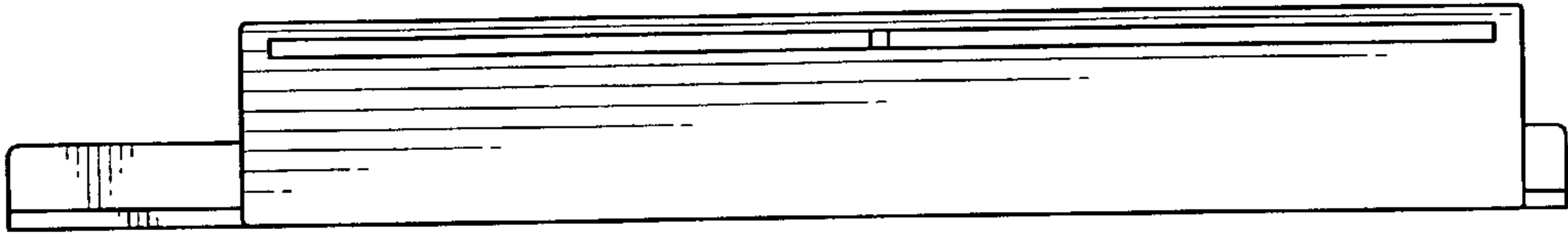


FIG. 3

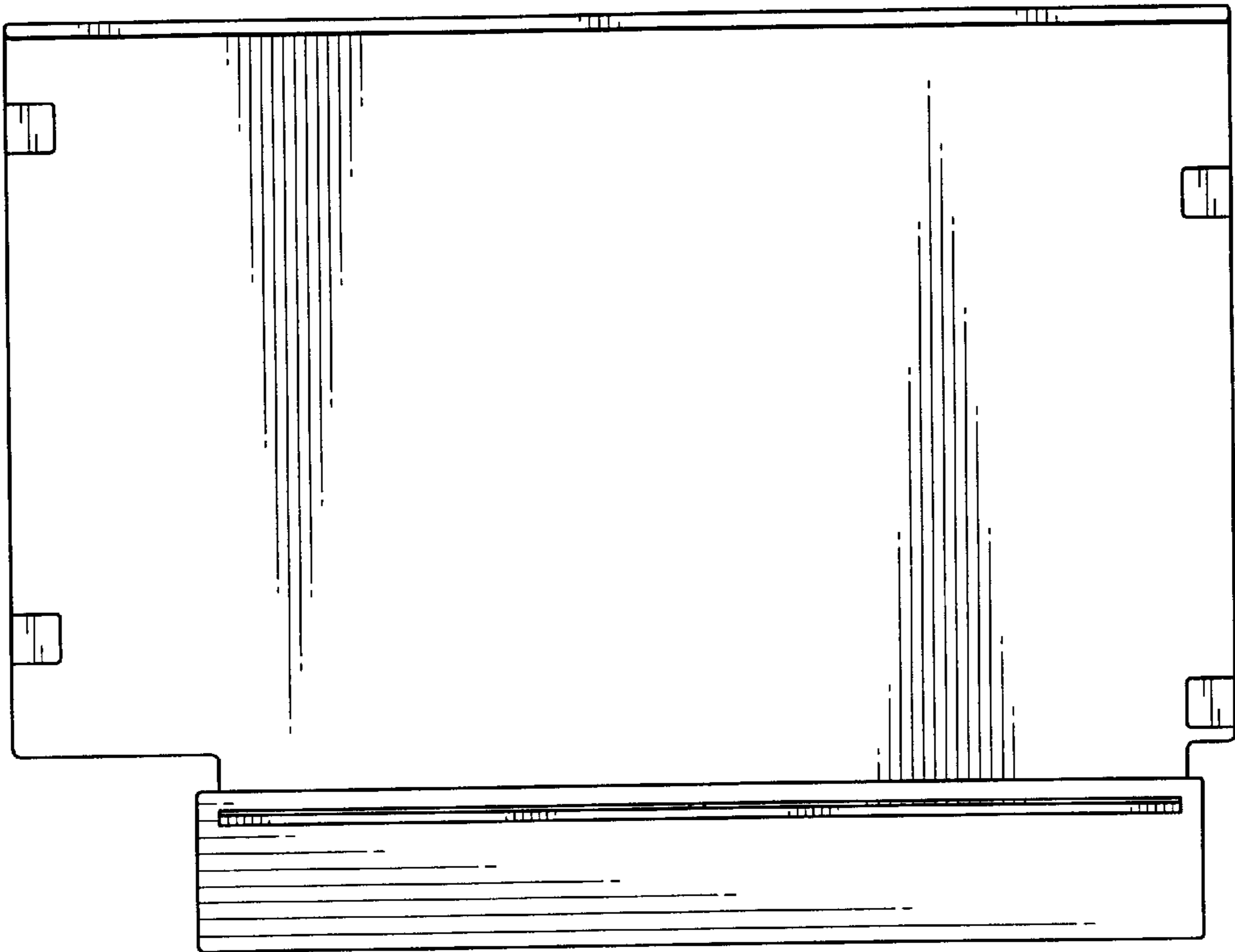


FIG. 4

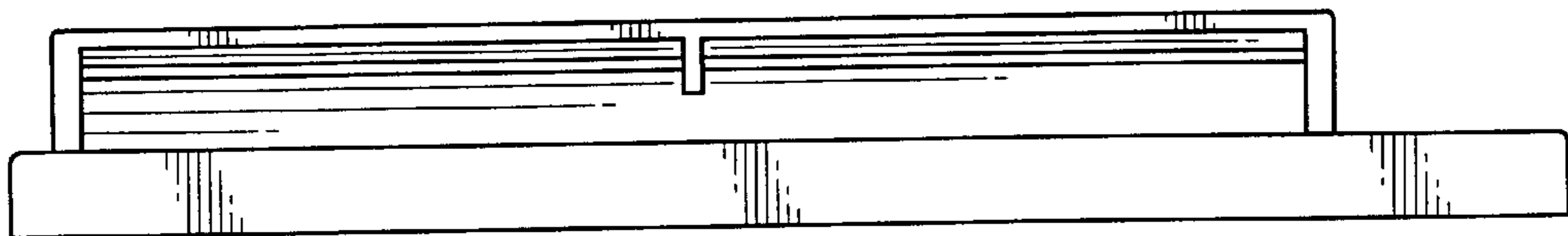
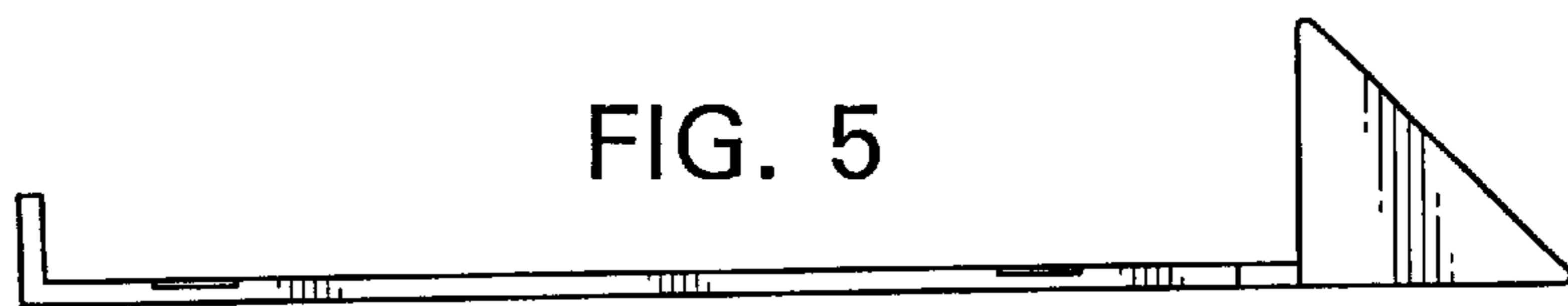


FIG. 5



UNITED STATES PATENT AND TRADEMARK OFFICE
CERTIFICATE OF CORRECTION

PATENT NO. : Des. 452,867 S
DATED : January 8, 2002
INVENTOR(S) : Teiyu Goto

Page 1 of 1

It is certified that error appears in the above-identified patent and that said Letters Patent is hereby corrected as shown below:

Title page,

Please add the following on the line after Item [73] Assignee information:

-- [*] Notice: This patent is subject to a terminal disclaimer. --

Signed and Sealed this

Tenth Day of June, 2003

A handwritten signature in black ink, appearing to read "James E. Rogan", with a horizontal line drawn underneath it.

JAMES E. ROGAN
Director of the United States Patent and Trademark Office