



US00D452866B1

(12) **United States Design Patent**
Towheed et al.

(10) **Patent No.:** **US D452,866 S**
(45) **Date of Patent:** **** Jan. 8, 2002**

(54) **ELECTRONICS CABINET FACE**

(75) Inventors: **Syed S. Towheed**, Herndon, VA (US);
David A. Baldwin, Rockville, MD (US)

(73) Assignee: **Ensoport.com, Inc.**, Washington, DC (US)

(**) Term: **14 Years**

(21) Appl. No.: **29/131,049**

(22) Filed: **Oct. 16, 2000**

(51) **LOC (7) Cl.** **14-02**

(52) **U.S. Cl.** **D14/441**

(58) **Field of Search** D14/441-446;
D13/162, 184, 199; 312/223.2; 361/680-686,
690-696

(56) **References Cited**

U.S. PATENT DOCUMENTS

D315,149 S	*	3/1991	Welch	D14/446
5,169,218 A	*	12/1992	Chu	312/223.2
D390,840 S	*	2/1998	Autry et al.	D14/441
D409,593 S	*	5/1999	Prestigomo	D14/446

* cited by examiner

Primary Examiner—Freda Nunn

(74) *Attorney, Agent, or Firm*—Hunton & Williams

(57) **CLAIM**

The ornamental design for an electronics cabinet face, as shown and described.

DESCRIPTION

FIG. 1 is a front view of an electronics cabinet face in accordance with the invention showing environment in dashed lines;

FIG. 2 is a right side view thereof, the left side being a mirror image of the right side;

FIG. 3 is top view thereof;

FIG. 4 is a bottom view thereof;

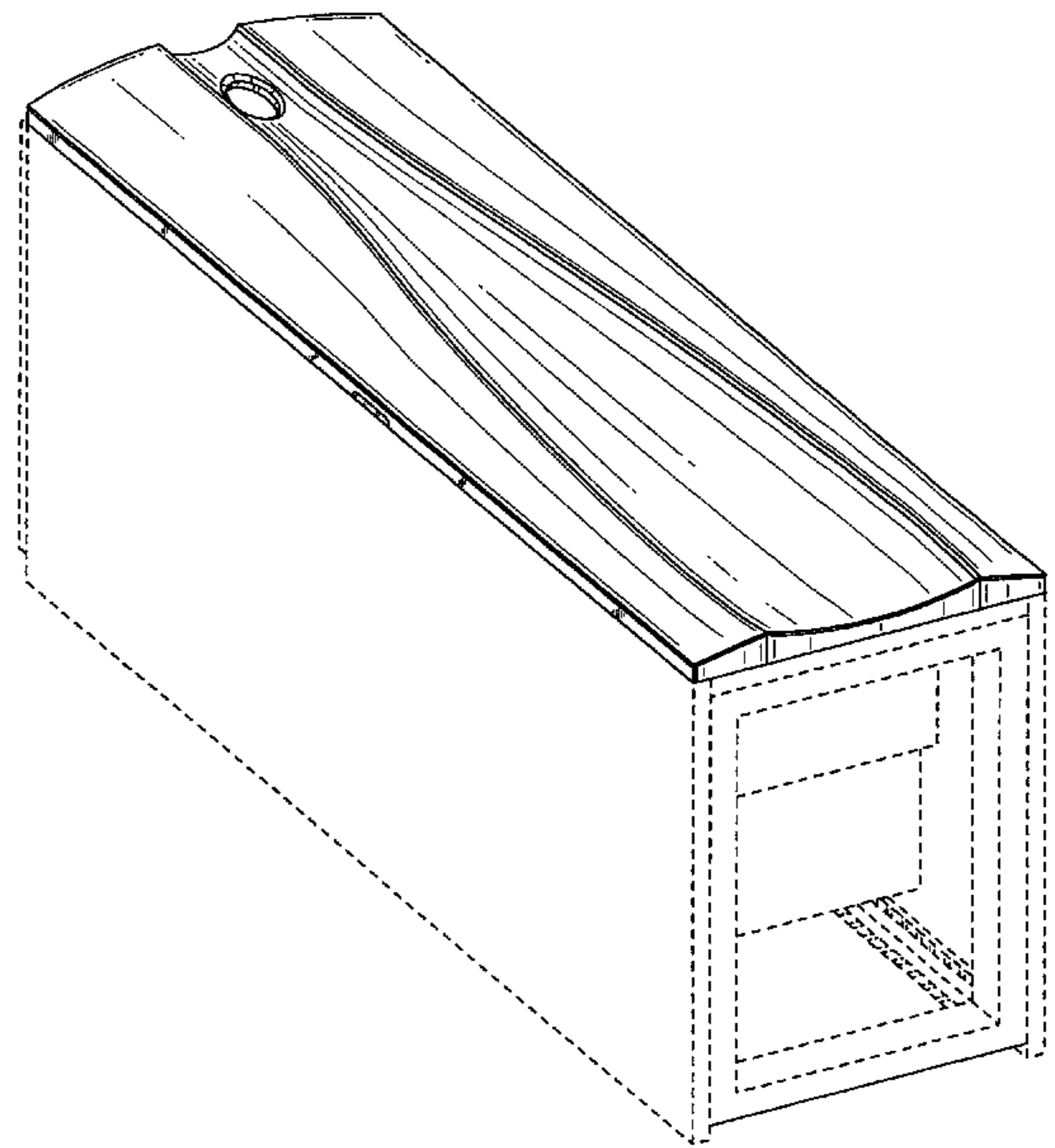
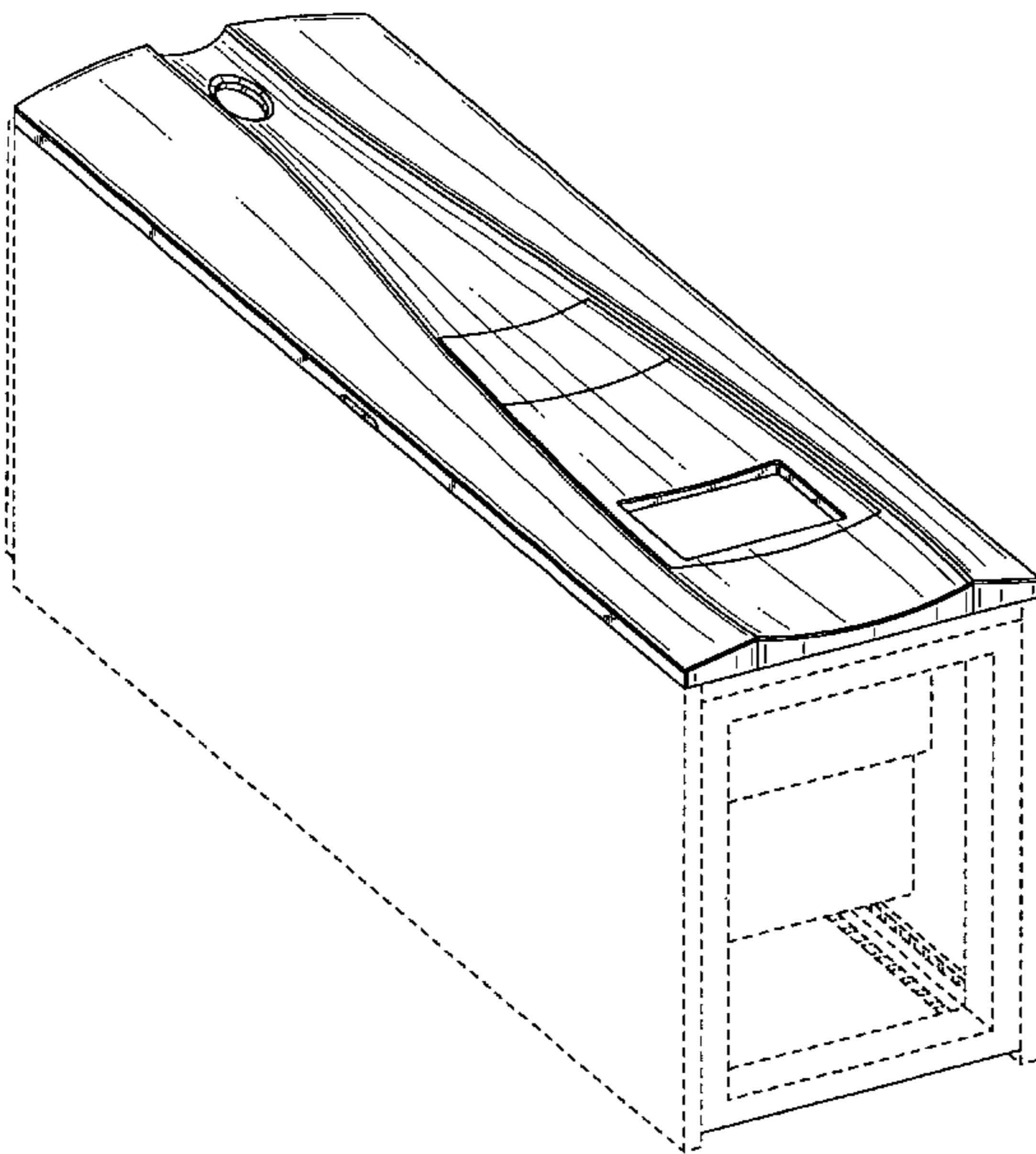
FIG. 5 is a perspective view thereof;

FIG. 6 is a front view of an alternate embodiment of the design shown in FIG. 1; and,

FIG. 7 is a perspective view of the alternate embodiment shown in FIG. 6.

The back side of the electronics cabinet face is not shown and forms no part of the claimed design. The sides, top and bottom of an electronics cabinet to which the electronics cabinet face can be attached, shown in broken lines in the figures, is shown for illustrative purposes only and forms no part of the claimed design.

1 Claim, 6 Drawing Sheets



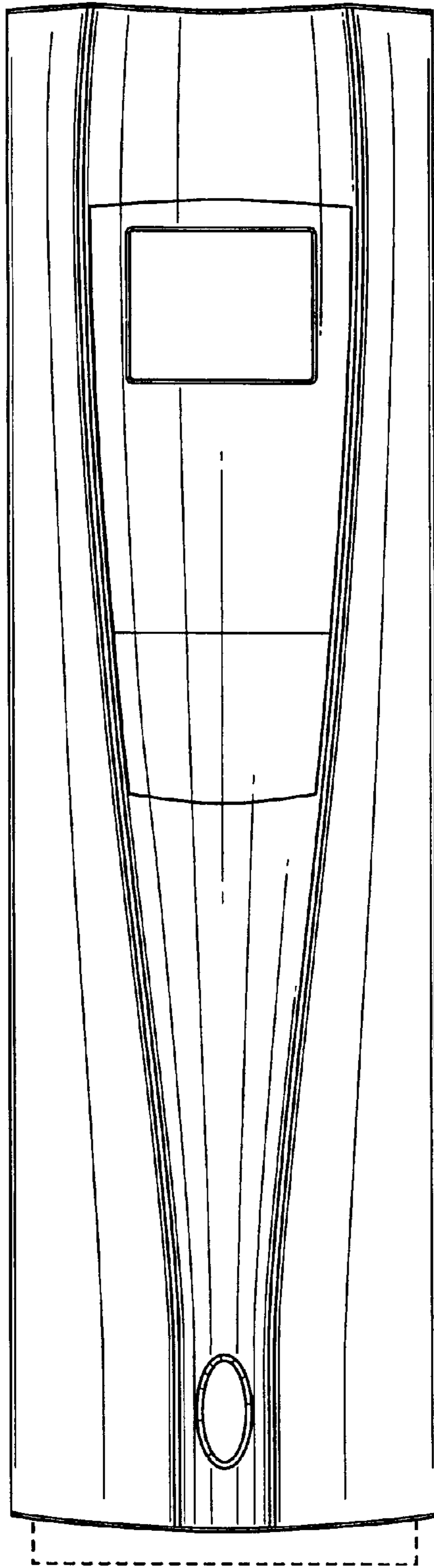


FIG. 1

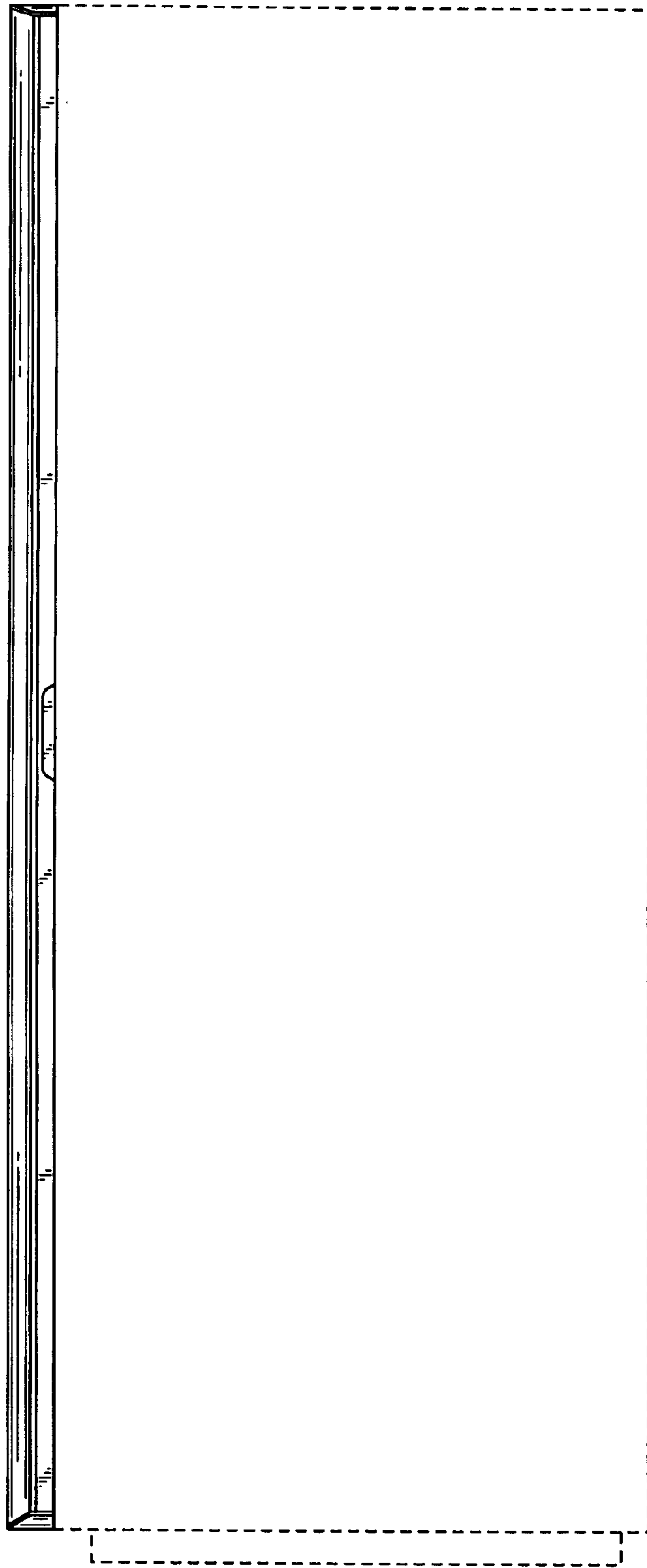


FIG. 2

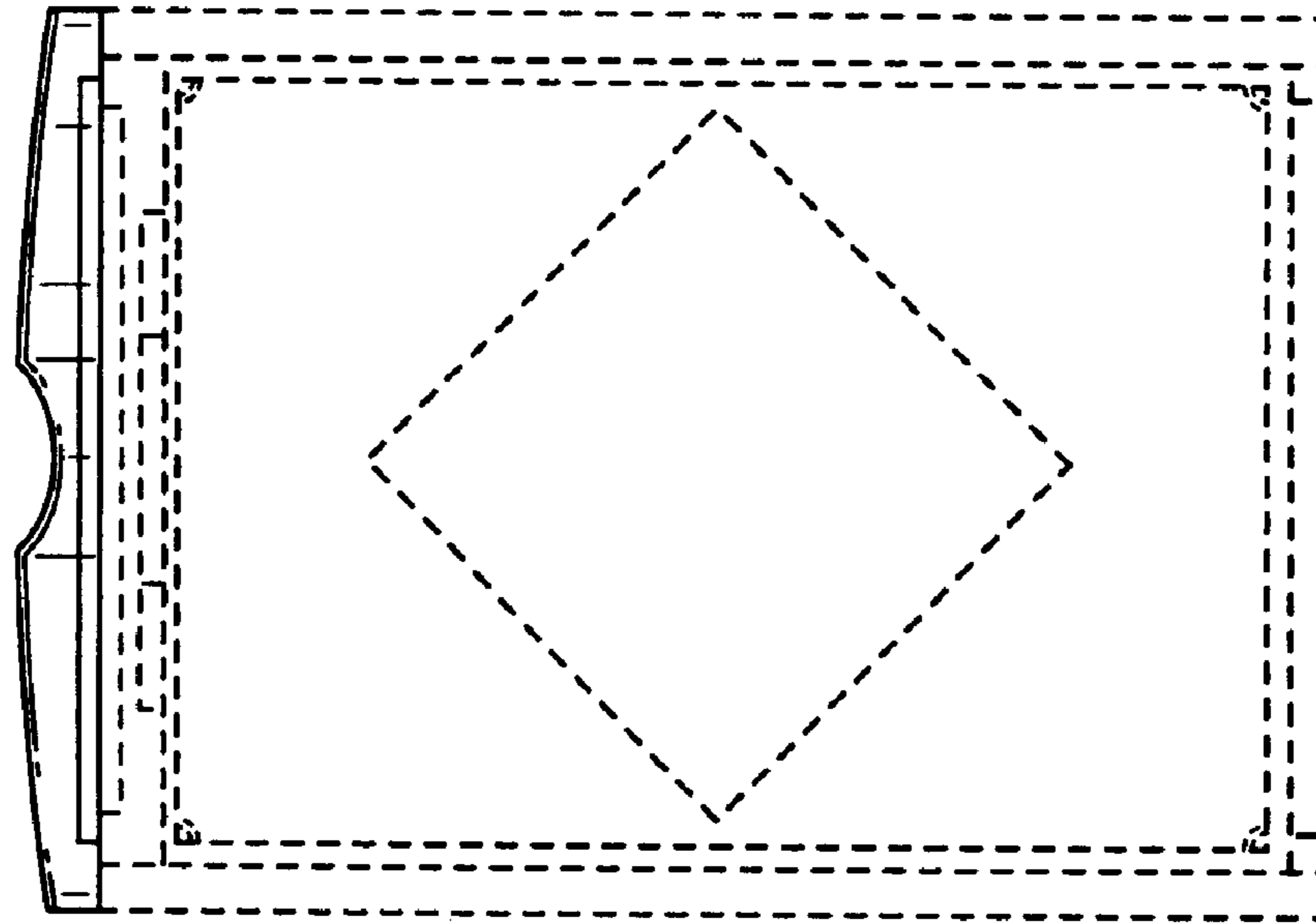


FIG. 4

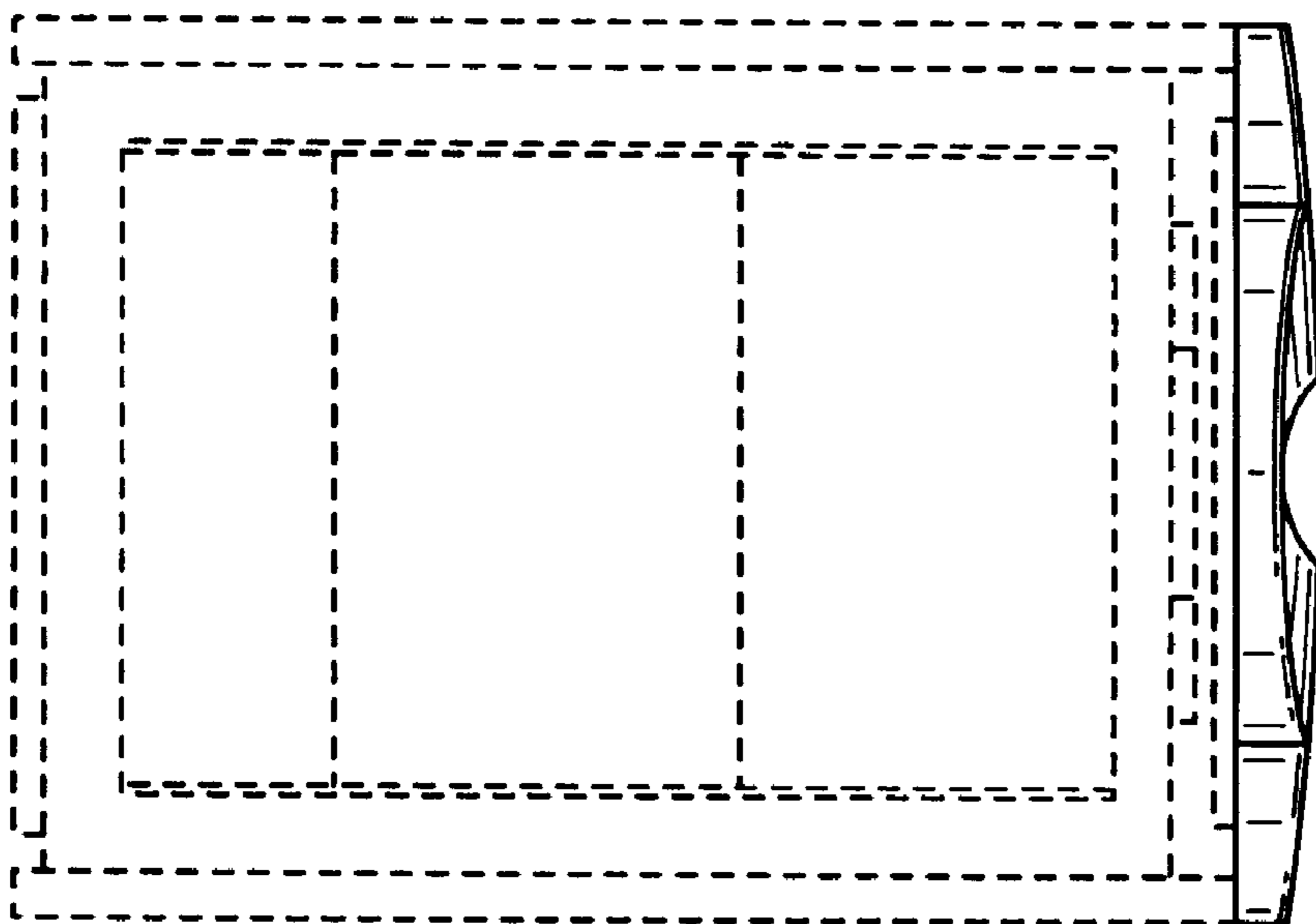


FIG. 3

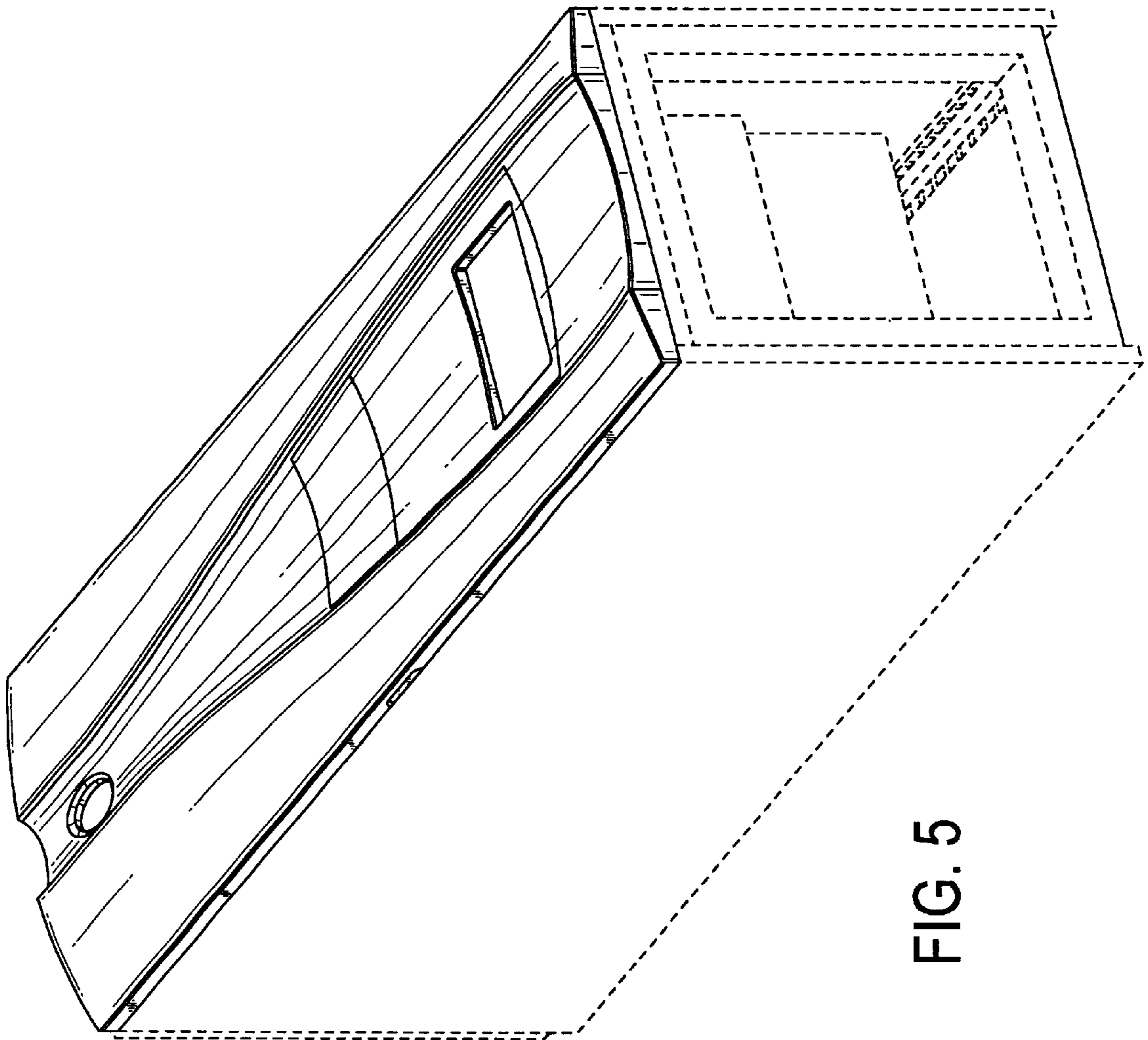


FIG. 5

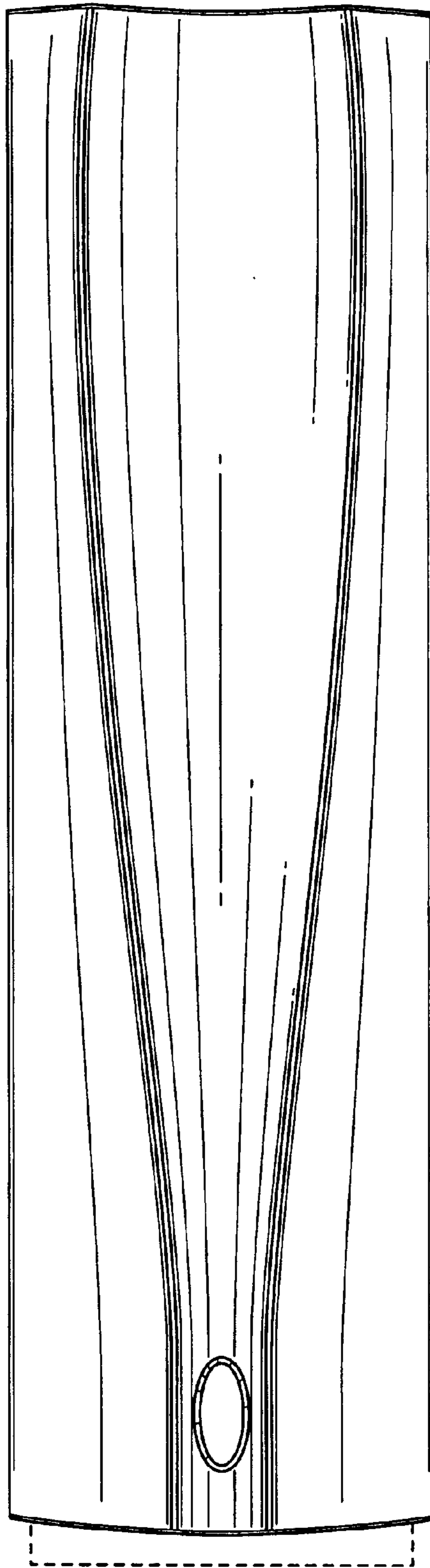


FIG. 6

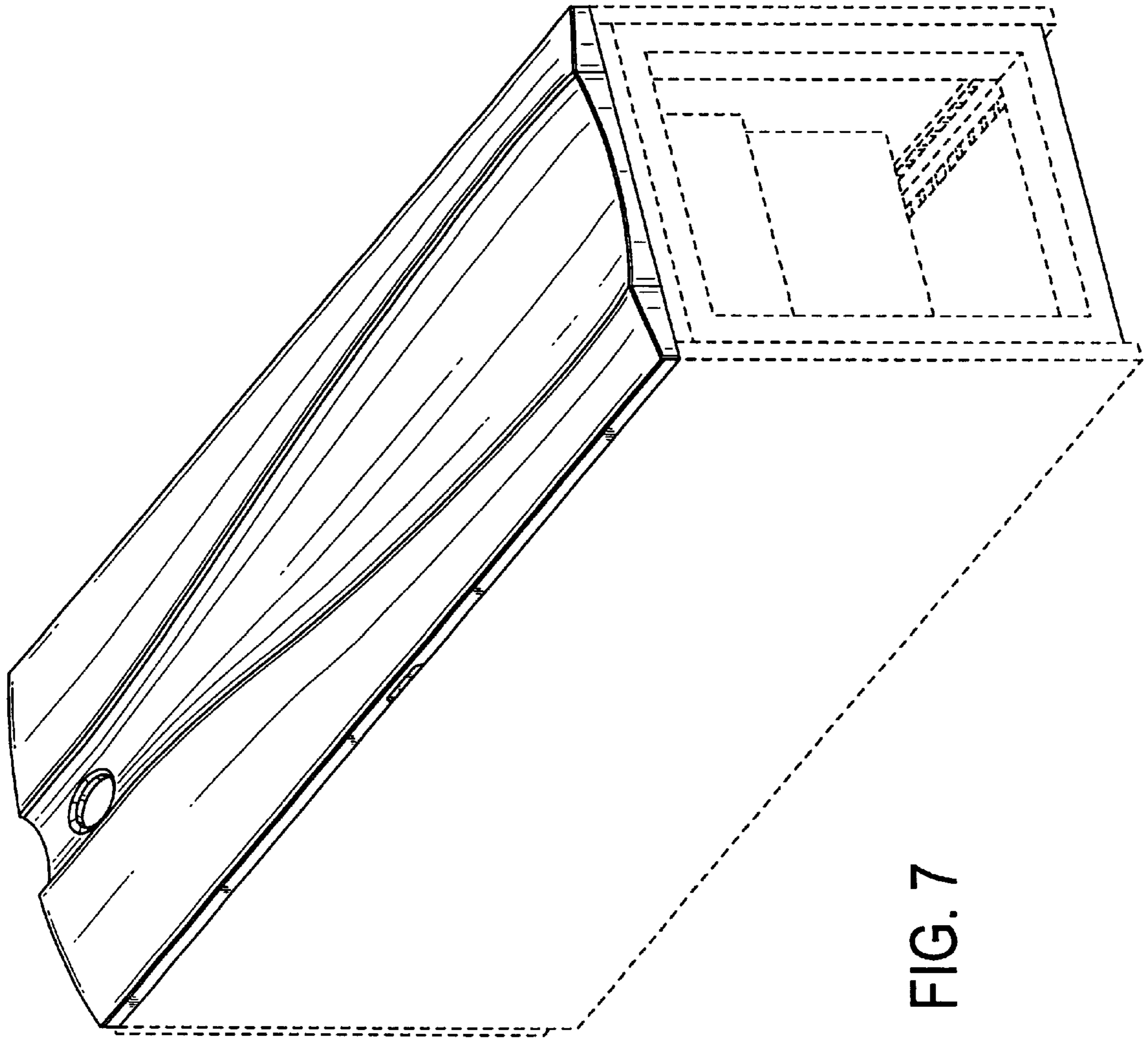


FIG. 7