



US00D452862B1

(12) **United States Design Patent**  
**Lin et al.**

(10) **Patent No.:** **US D452,862 S**  
(45) **Date of Patent:** **\*\* Jan. 8, 2002**

(54) **SCANNER**

(75) Inventors: **Hsiao-Ying Lin**, San-Chung; **Hui-Yi Lin**, Tao-Yuan; **Kris Verstockt**; **Hsu-Yang Wei**, both of Taipei, all of (TW)

(73) Assignee: **Primax Electronics Ltd.**, Taipei (TW)

(\*\*) Term: **14 Years**

(21) Appl. No.: **29/137,435**

(22) Filed: **Feb. 22, 2001**

(51) **LOC (7) Cl.** ..... **14-02**

(52) **U.S. Cl.** ..... **D14/425**

(58) **Field of Search** ..... D14/424, 425, D14/118; D18/54, 36, 37, 39; 250/556; 235/454, 441, 470, 476, 482, 483; 355/64, 65, 75, 81

(56) **References Cited**

**U.S. PATENT DOCUMENTS**

D388,773 S \* 1/1998 Chang et al. .... D14/425

D391,930 S \* 3/1998 Cheng-Yung ..... D14/425  
D411,834 S \* 7/1999 Liu ..... D14/425  
D415,743 S \* 10/1999 Inukai ..... D14/425  
D433,415 S \* 11/2000 Itakura ..... D14/425

\* cited by examiner

*Primary Examiner*—Freda Nunn

(74) *Attorney, Agent, or Firm*—Winston Hsu

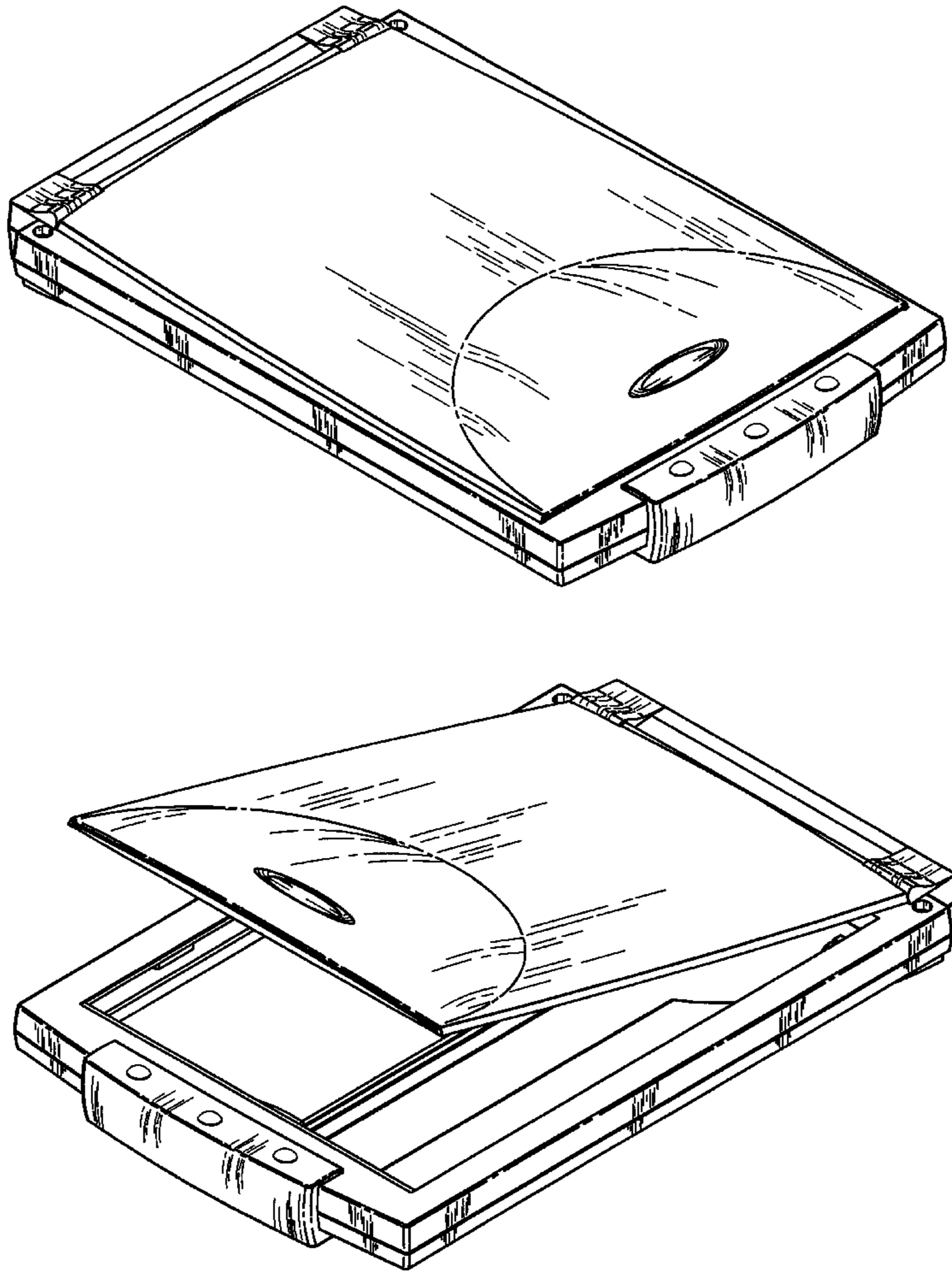
(57) **CLAIM**

The ornamental design for a scanner, as shown and described.

**DESCRIPTION**

FIG. 1 is a front elevational view of a scanner showing our new design;  
FIG. 2 is a rear elevational view thereof;  
FIG. 3 is a left side elevational view thereof;  
FIG. 4 is a right side elevational view thereof;  
FIG. 5 is a top plan view thereof;  
FIG. 6 is a bottom plan view thereof;  
FIG. 7 is a perspective view thereof; and,  
FIG. 8 is a perspective view thereof when opening its cover.

**1 Claim, 4 Drawing Sheets**



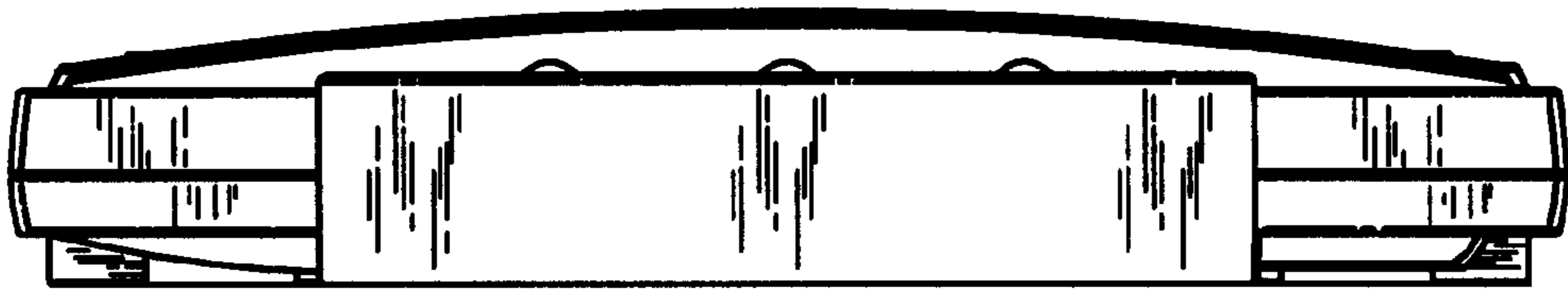


Fig. 1

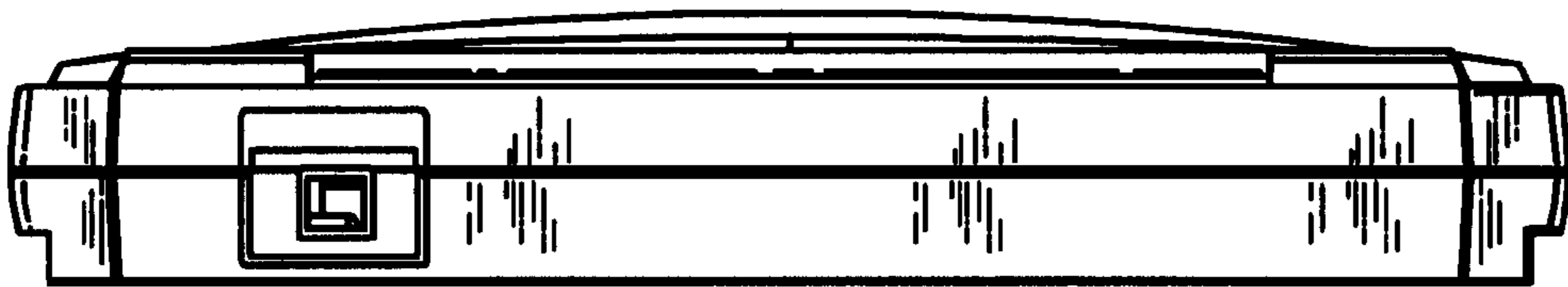


Fig. 2

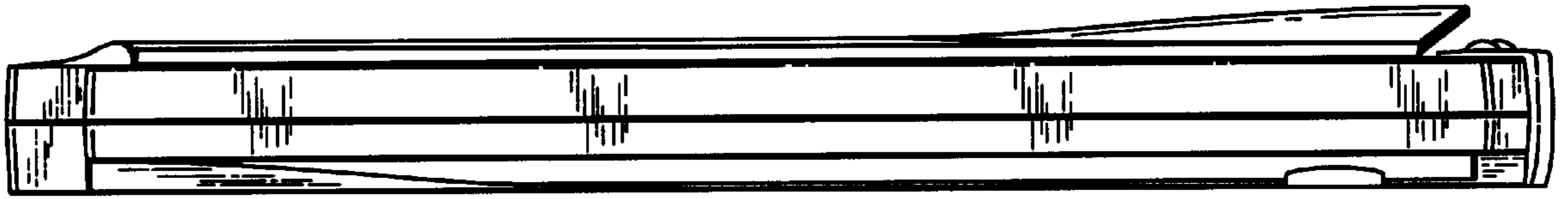


Fig. 3

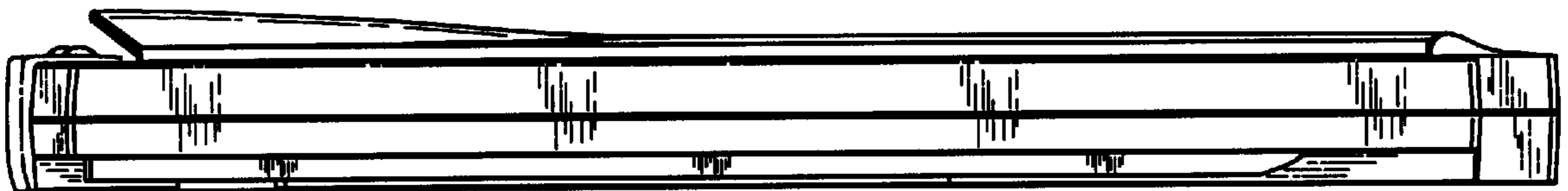


Fig. 4

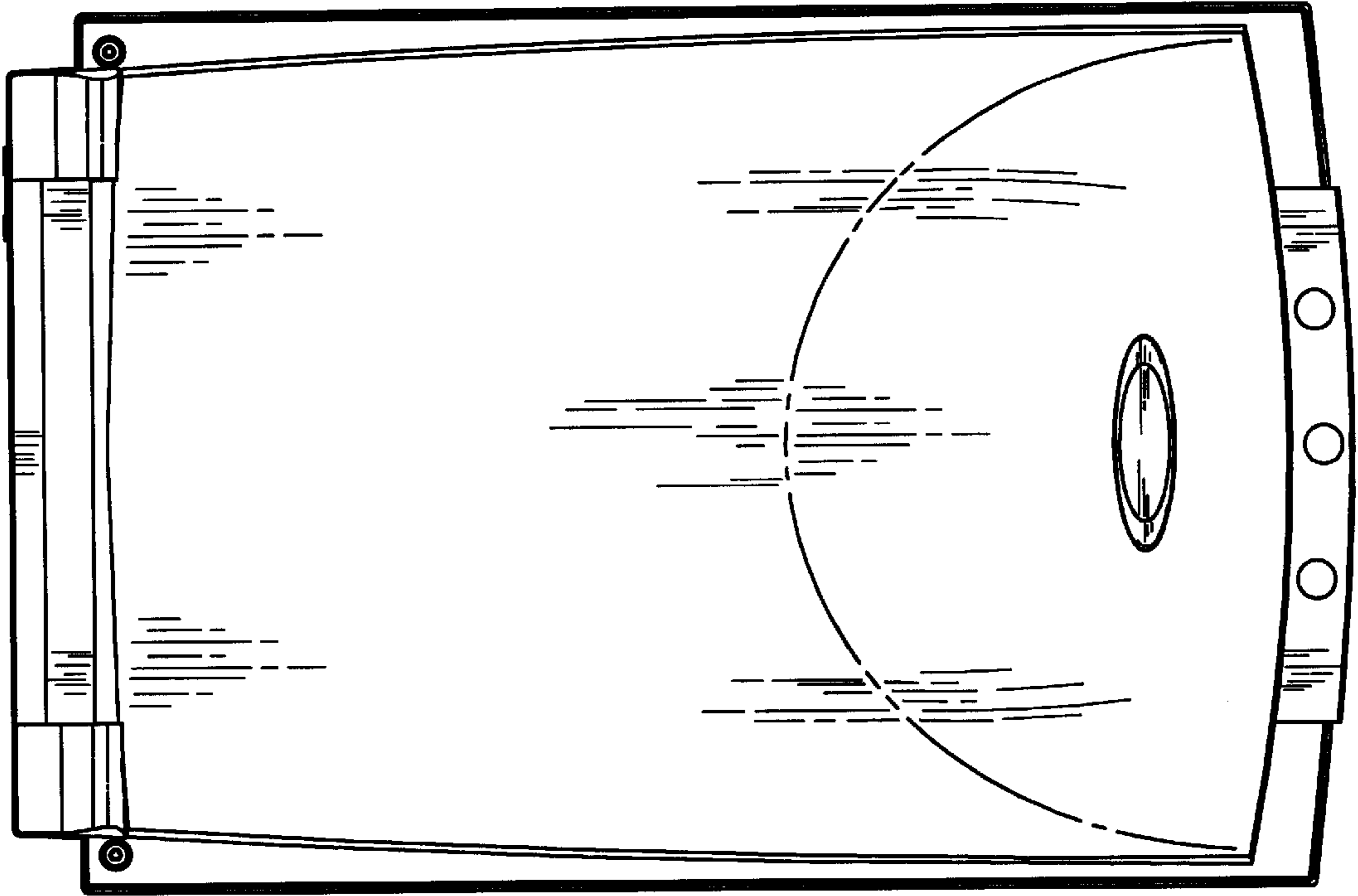


Fig. 5

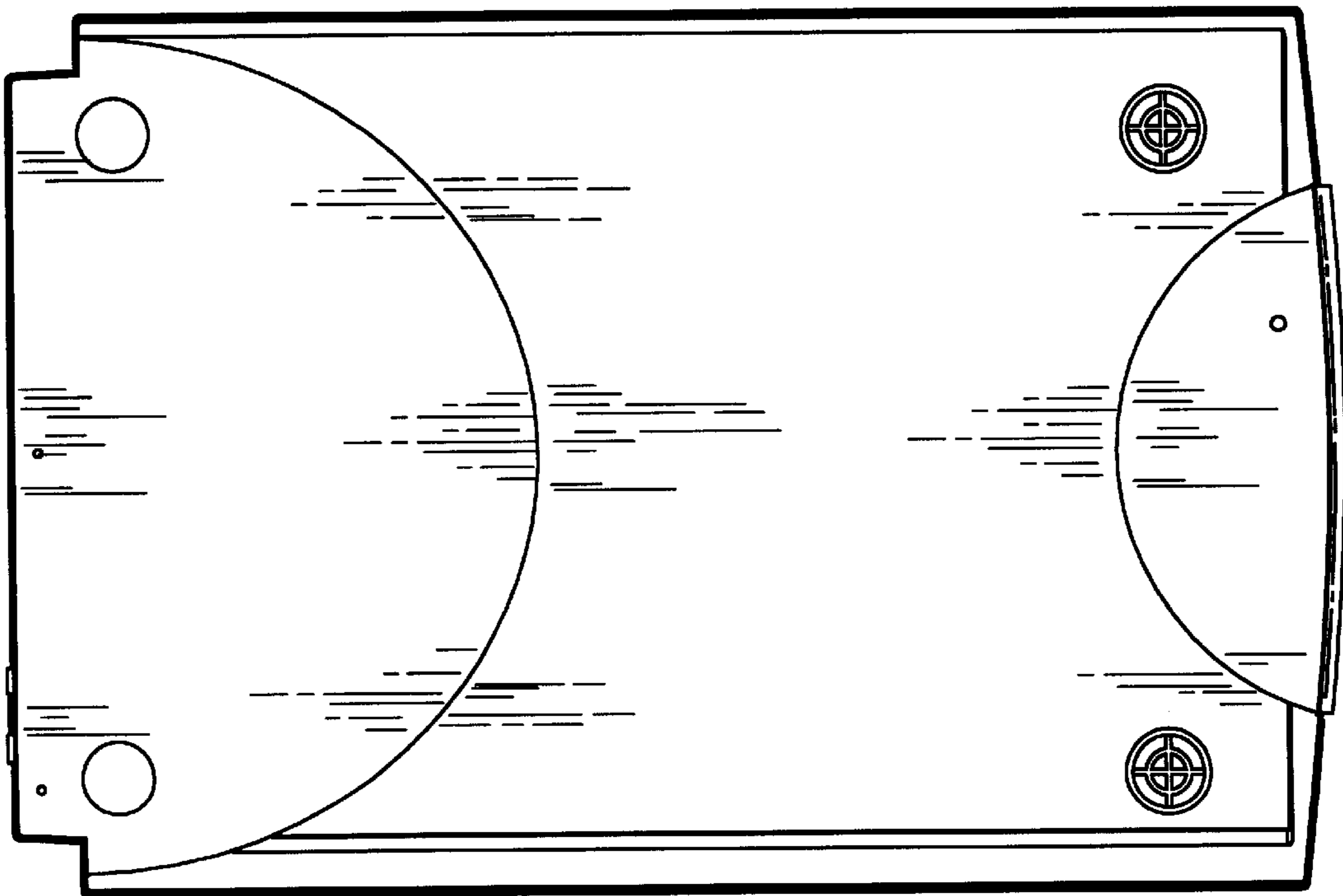


Fig. 6

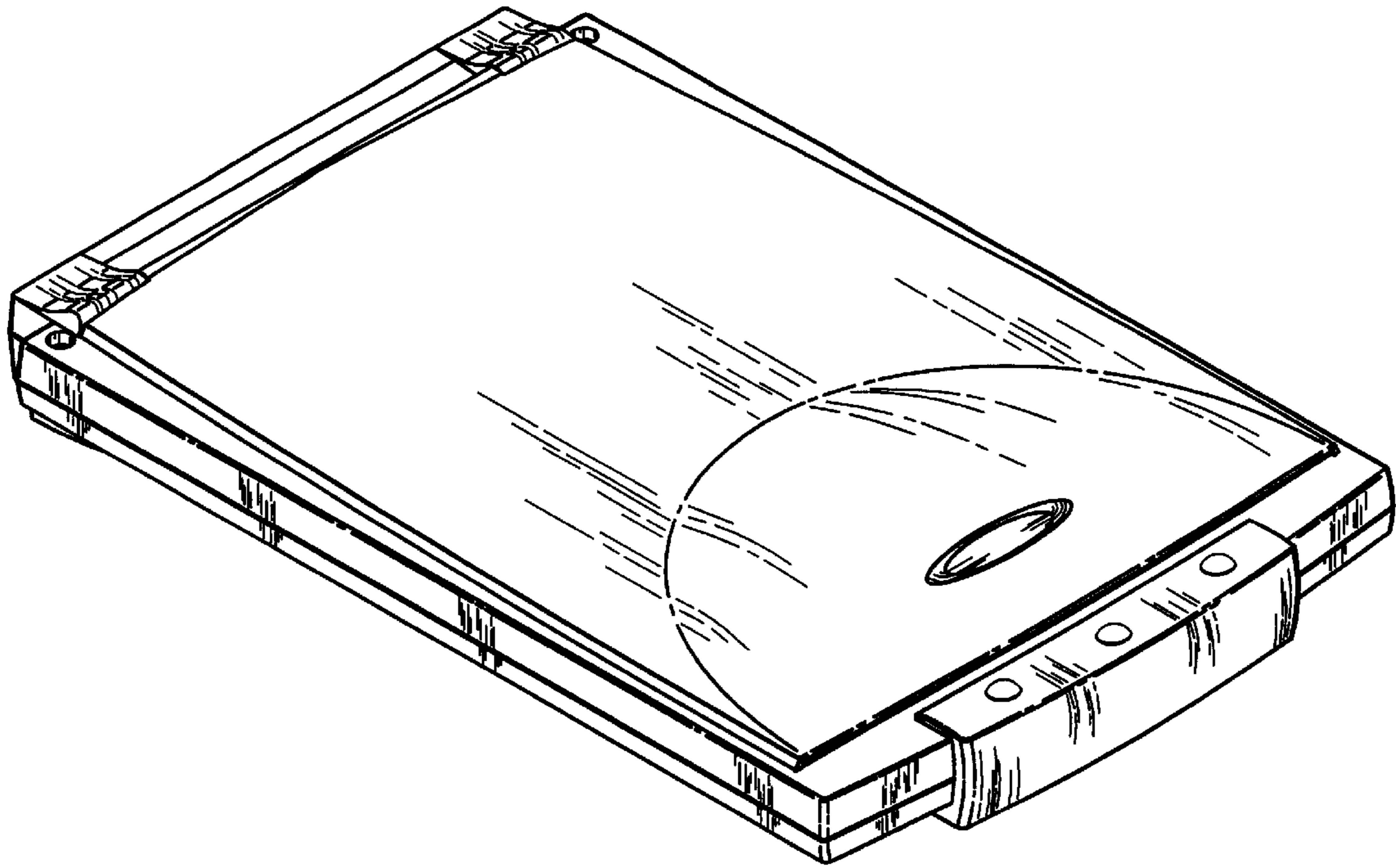


Fig. 7

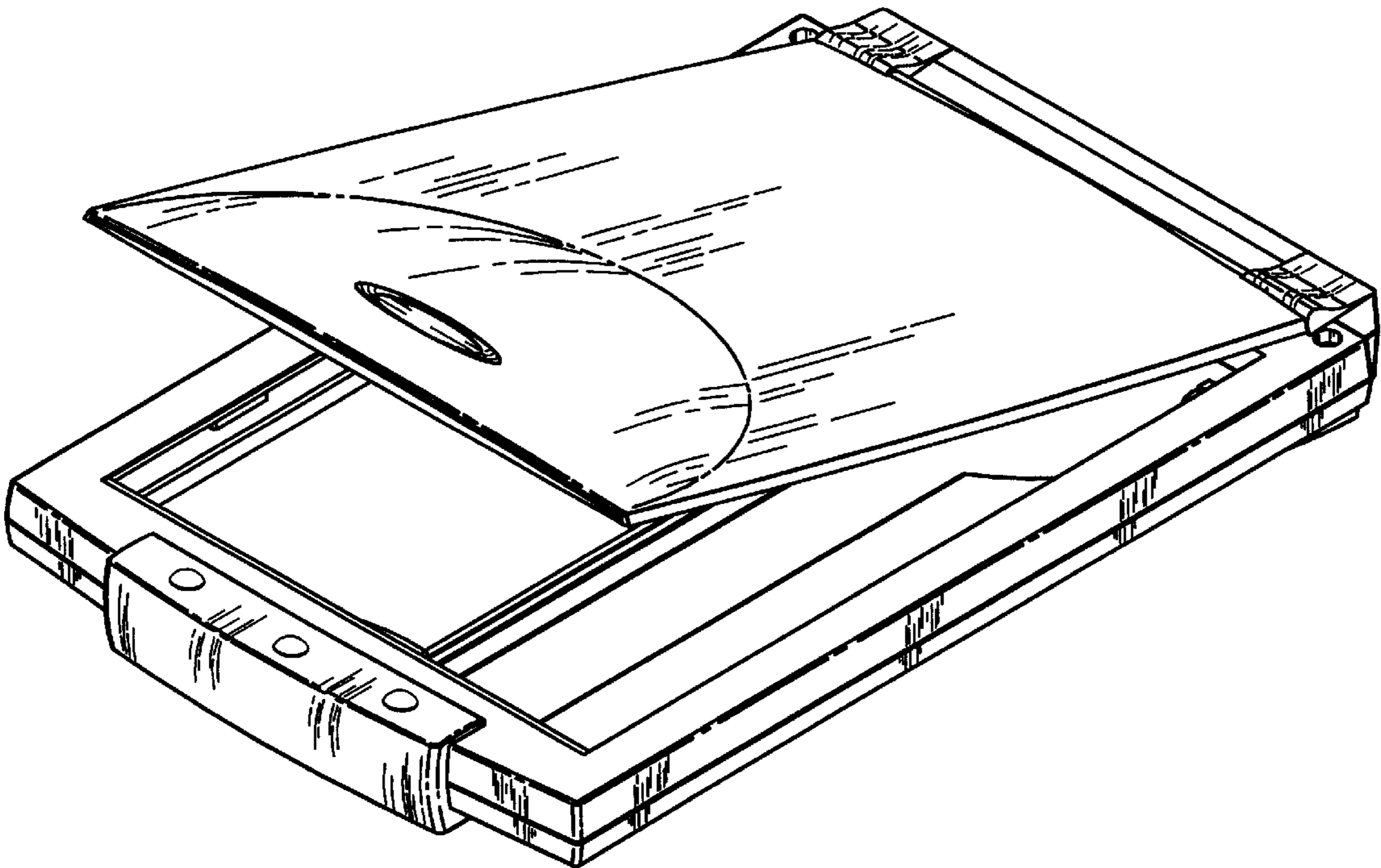


Fig. 8