



US00D452855B1

(12) **United States Design Patent**  
**Ota**

(10) **Patent No.:** **US D452,855 S**

(45) **Date of Patent:** **\*\* Jan. 8, 2002**

(54) **SPEAKER BOX**

(75) Inventor: **Kiyoshi Ota**, Tokyo (JP)

(73) Assignee: **Sony Corporation**, Tokyo (JP)

(\*\*) Term: **14 Years**

(21) Appl. No.: **29/138,523**

(22) Filed: **Mar. 16, 2001**

(51) **LOC (7) Cl.** ..... **14-01**

(52) **U.S. Cl.** ..... **D14/214**

(58) **Field of Search** ..... D14/204, 210-215;  
181/144-145, 147-148, 150, 198-199;  
381/300-302, 307, 332-336, 386

(56) **References Cited**

**U.S. PATENT DOCUMENTS**

D405,450 S	2/1999	Niitsu	
D410,006 S	5/1999	Miyazaki	
D418,138 S	* 12/1999	Miyazaki	..... D14/214
D418,511 S	1/2000	Suzuki	
D423,014 S	* 4/2000	Ito et al.	..... D14/214
D432,117 S	10/2000	Miyazaki	
6,144,752 A	* 11/2000	Chen	..... 181/199

**OTHER PUBLICATIONS**

Catalog "AV Speaker", 3 sheets, Jan. 2000, Sony Corporation.

\* cited by examiner

*Primary Examiner*—Nanda Bondade

(74) *Attorney, Agent, or Firm*—Rader, Fishman & Grauer, PLLC

(57) **CLAIM**

The ornamental design for a speaker box, as shown and described.

**DESCRIPTION**

FIG. 1 is a perspective view of a speaker box showing my new design;  
FIG. 2 is a front elevational view thereof;  
FIG. 3 is a rear elevational view thereof;  
FIG. 4 is a left side elevational view thereof;  
FIG. 5 is a right side elevational view thereof;  
FIG. 6 is a top plan view thereof; and,  
FIG. 7 is a bottom plan view thereof.

**1 Claim, 4 Drawing Sheets**

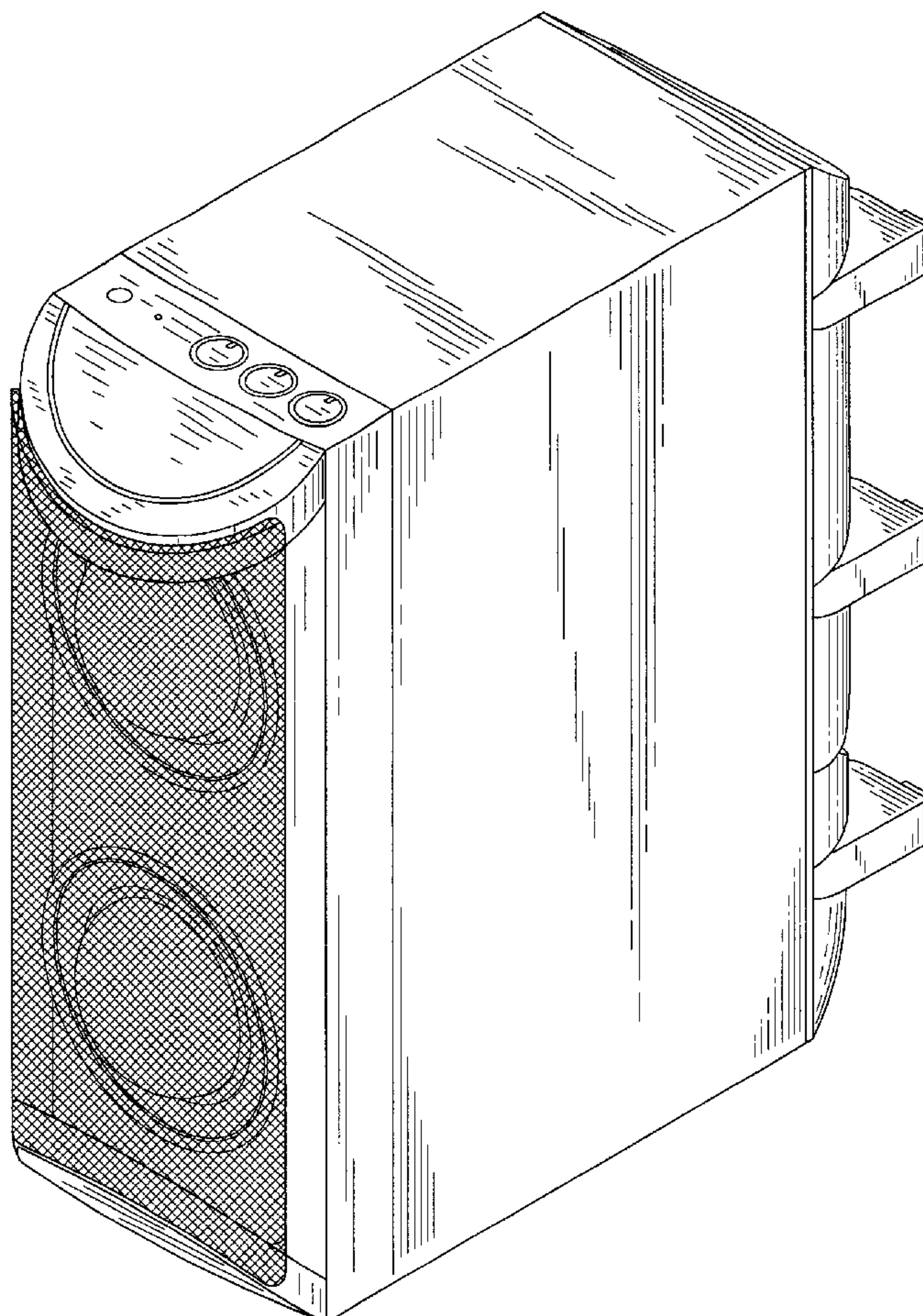


FIG. 1

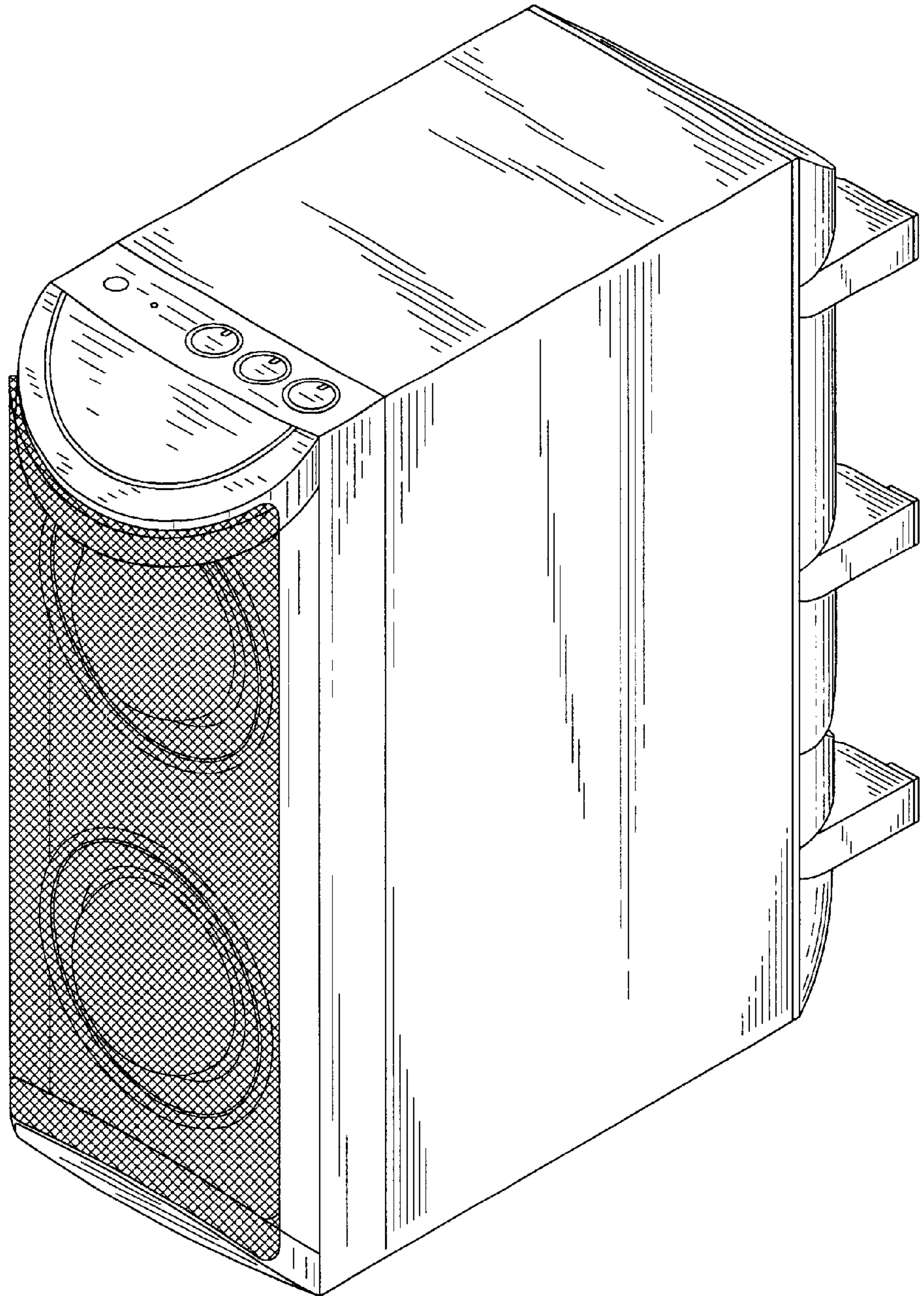




FIG. 2

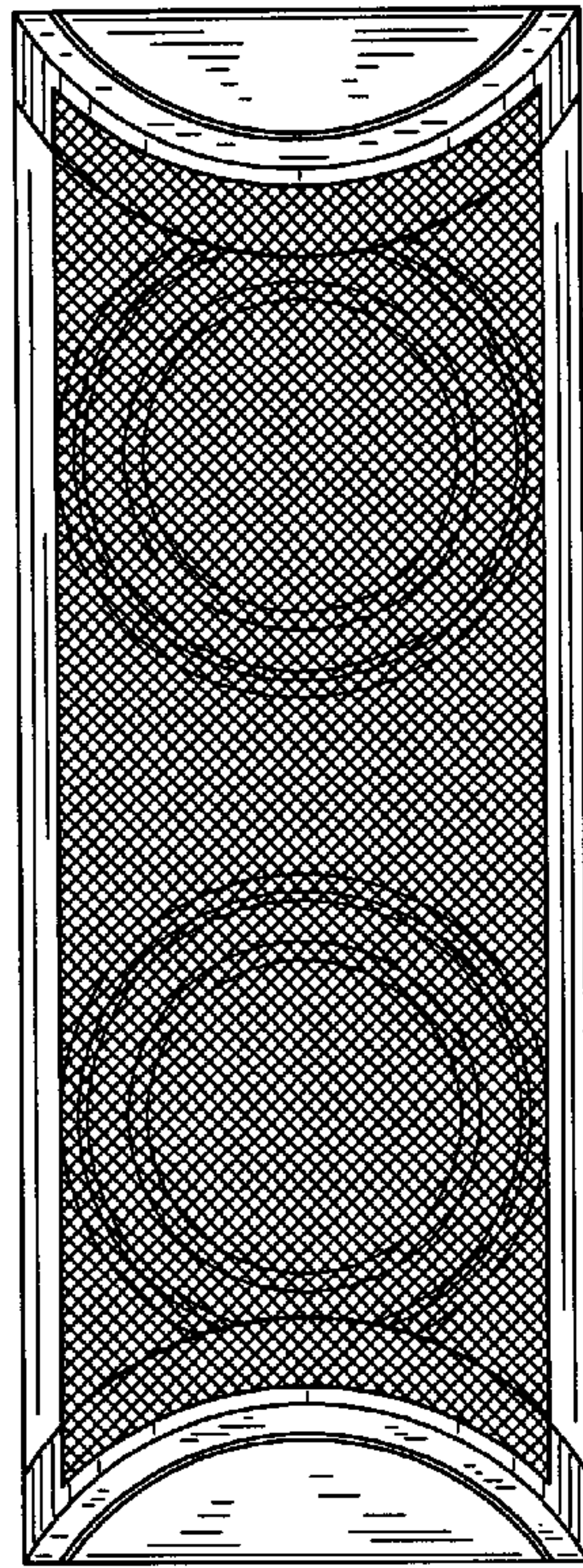


FIG. 3

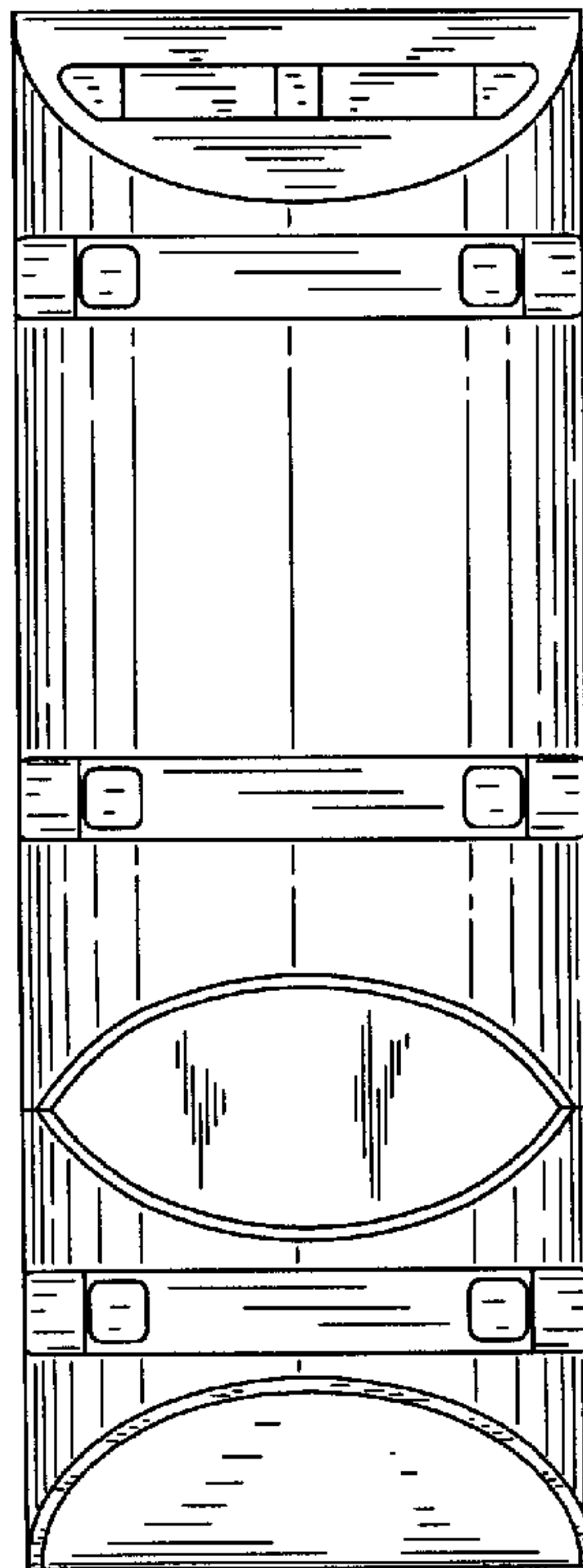


FIG. 4

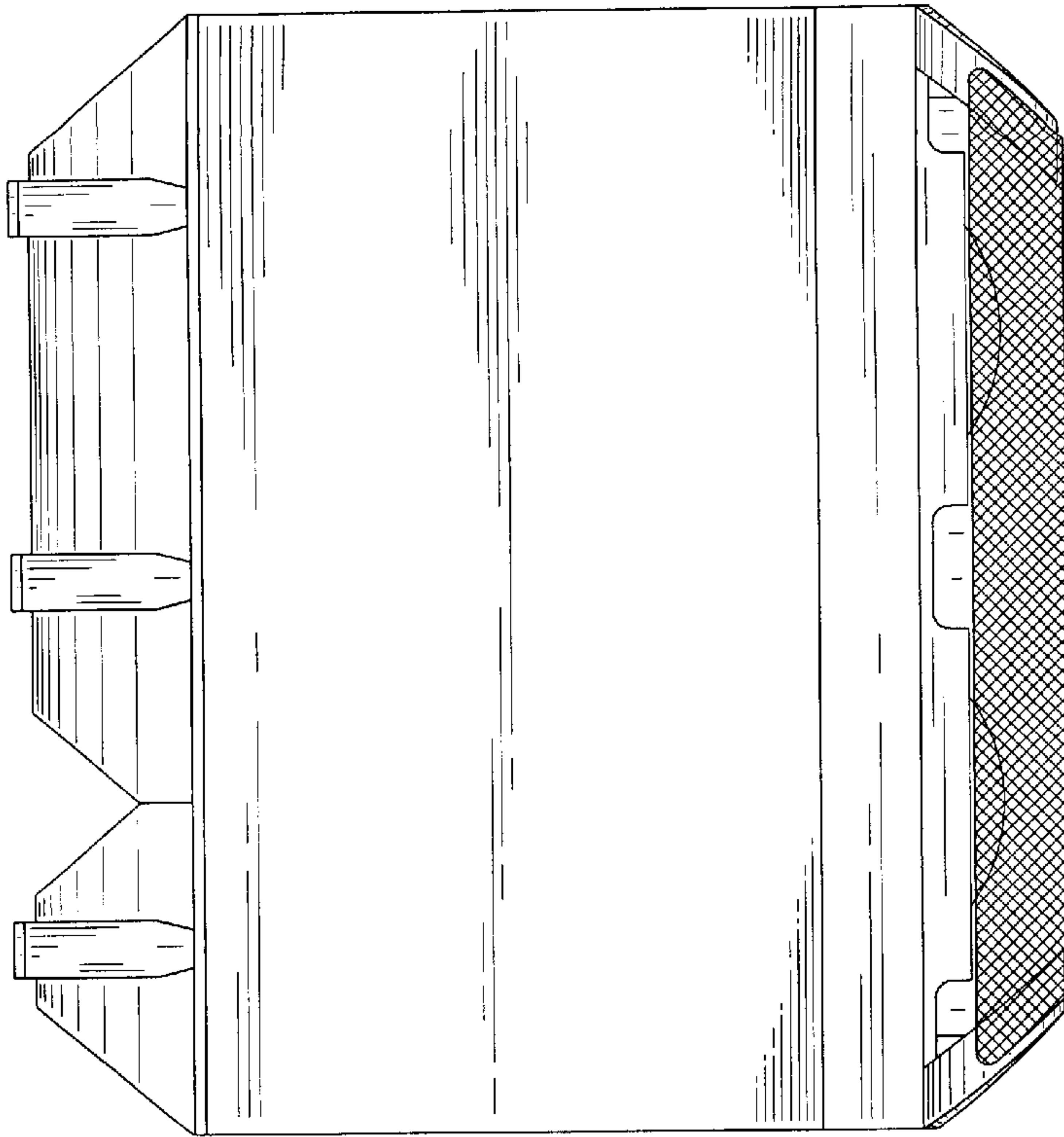


FIG. 5

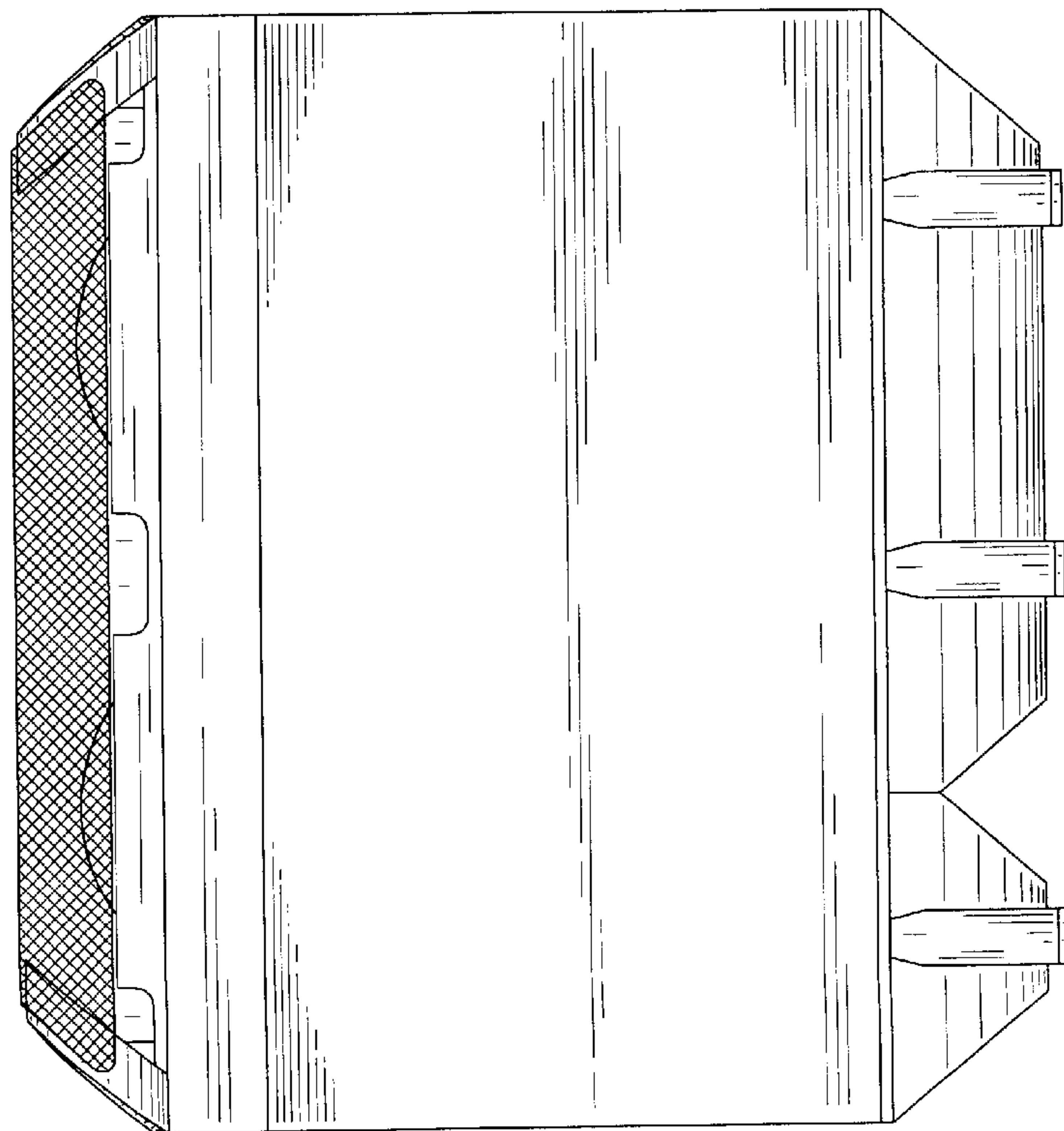


FIG. 6

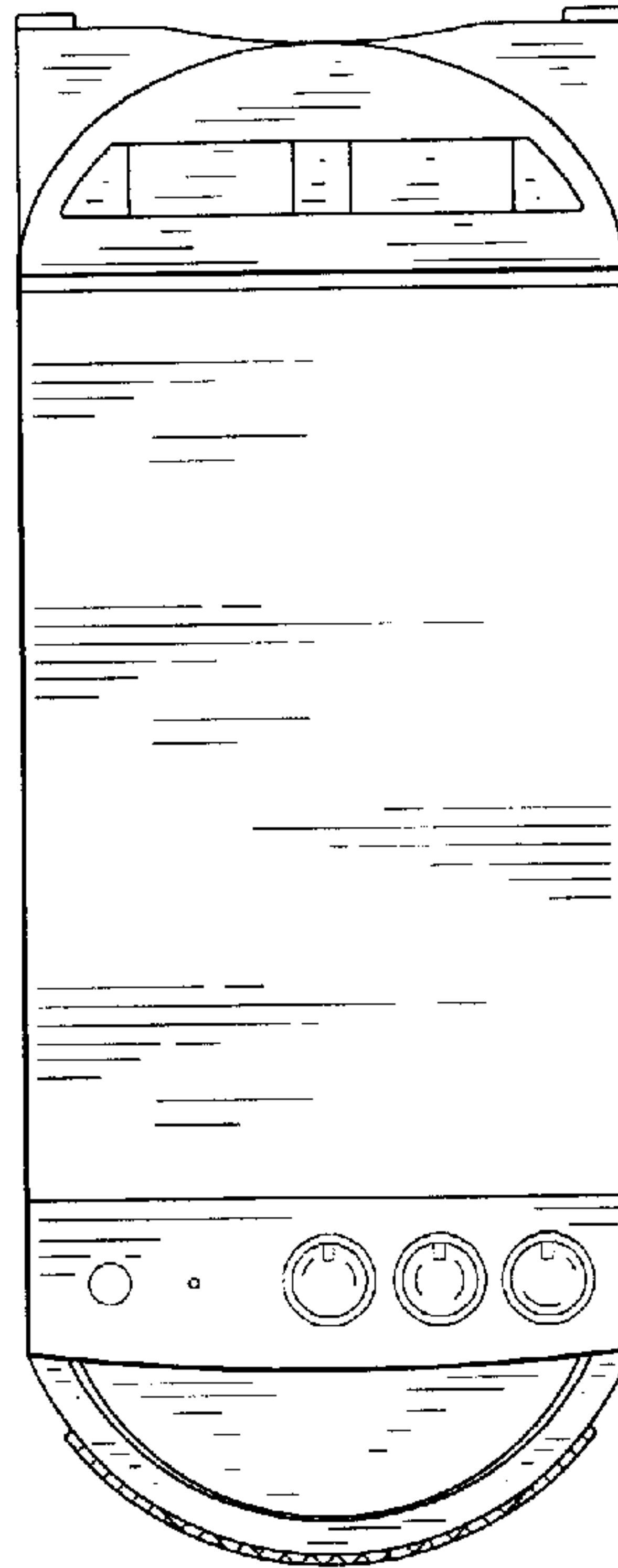


FIG. 7

