



US00D452853B1

(12) **United States Design Patent**
Narita

(10) **Patent No.:** **US D452,853 S**
(45) **Date of Patent:** **** Jan. 8, 2002**

(54) **DISC PLAYER COMBINED WITH RADIO RECEIVER AND A TAPE RECORDER**

XH DM/052816 7/2000

* cited by examiner

(75) Inventor: **Hisanori Narita**, Tokyo (JP)

Primary Examiner—Nanda Bondade

(73) Assignee: **Sony Corporation**, Tokyo (JP)

(74) *Attorney, Agent, or Firm*—Rader, Fishman & Grauer, PLLC

(**) Term: **14 Years**

(21) Appl. No.: **29/139,377**

(22) Filed: **Mar. 30, 2001**

(51) **LOC (7) Cl.** **14-01**

(52) **U.S. Cl.** **D14/168**

(58) **Field of Search** D14/135–136,
D14/156–157, 160–165, 167–168, 188,
193–198; 455/344, 347–351

(57) **CLAIM**

The ornamental design for a disc player combined with radio receiver and a tape recorder, as shown and described.

DESCRIPTION

FIG. 1 is a top, front perspective view of a disc player combined with a radio receiver and a tape recorder showing my new design;

FIG. 2 is a top plan view thereof;

FIG. 3 is a bottom plan view thereof;

FIG. 4 is a left side elevational view thereof;

FIG. 5 is a right side elevational view thereof;

FIG. 6 is a front elevational view thereof; and,

FIG. 7 is a rear elevational view thereof.

(56) **References Cited**

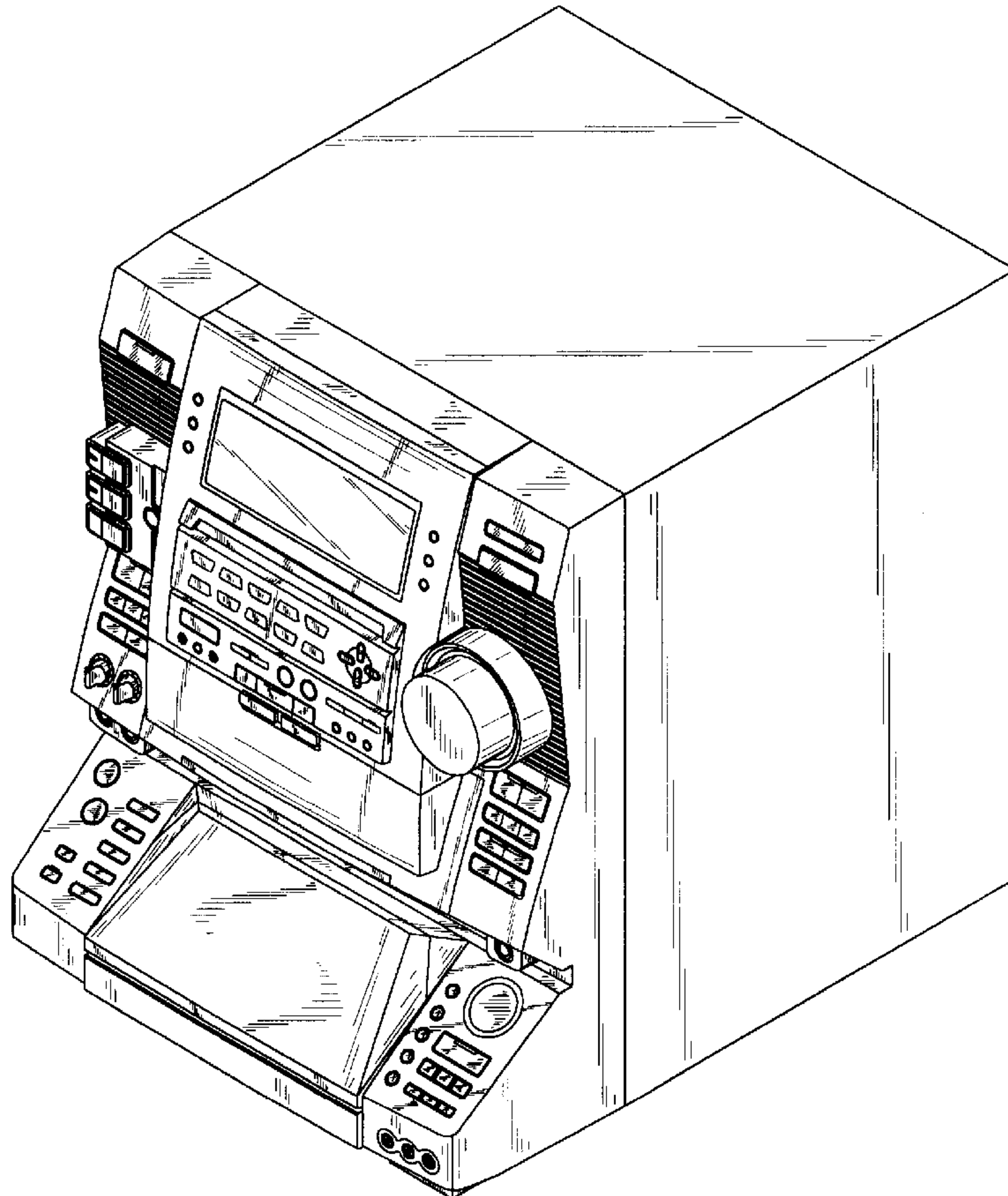
U.S. PATENT DOCUMENTS

D384,068 S	*	9/1997	Yoneda	D14/168
D389,147 S	*	1/1998	Ito et al.	D14/168
D425,892 S	*	5/2000	Ito et al.	D14/168

FOREIGN PATENT DOCUMENTS

XH DM/038587 12/1996

1 Claim, 4 Drawing Sheets



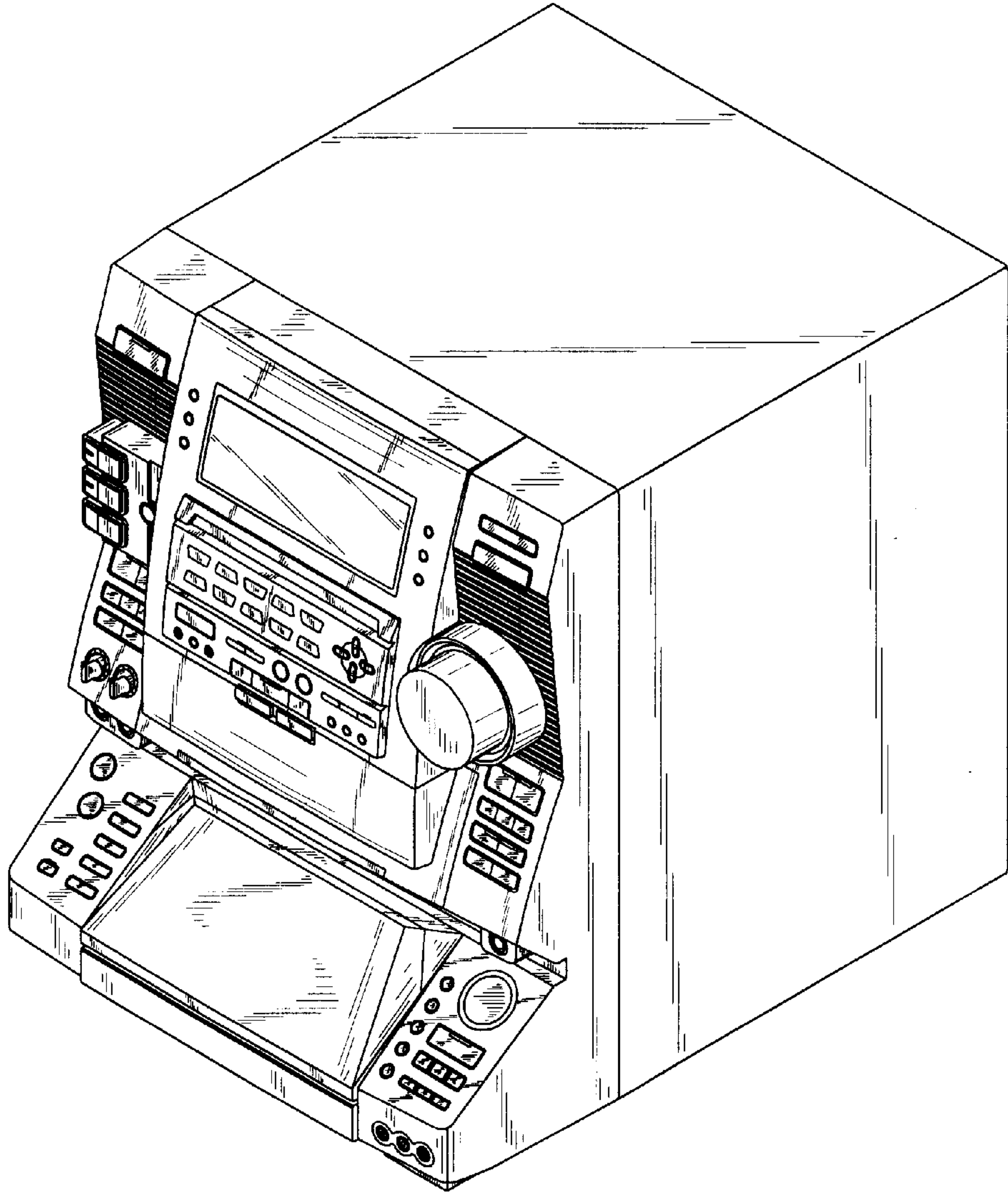


Fig. 1

Fig. 2

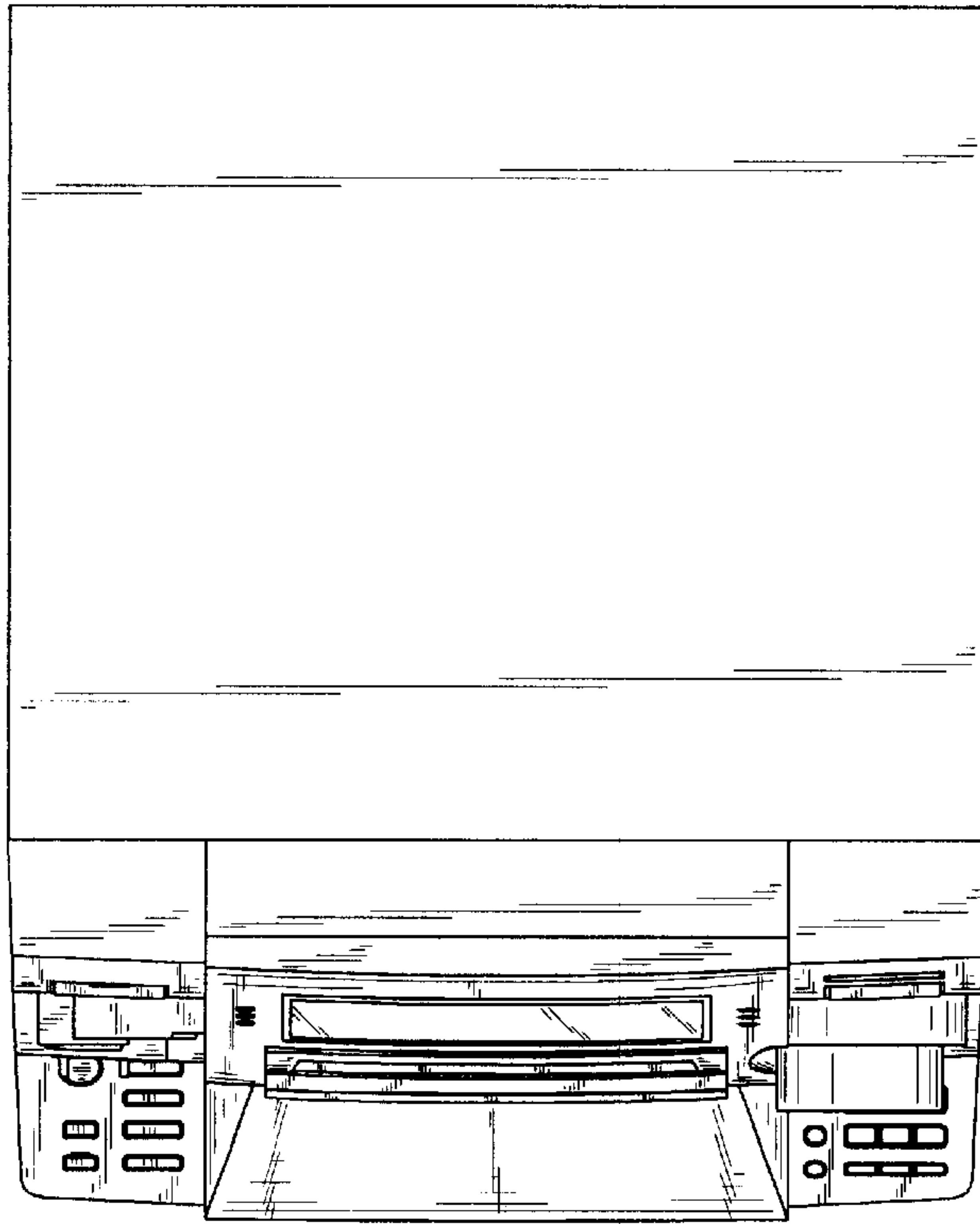
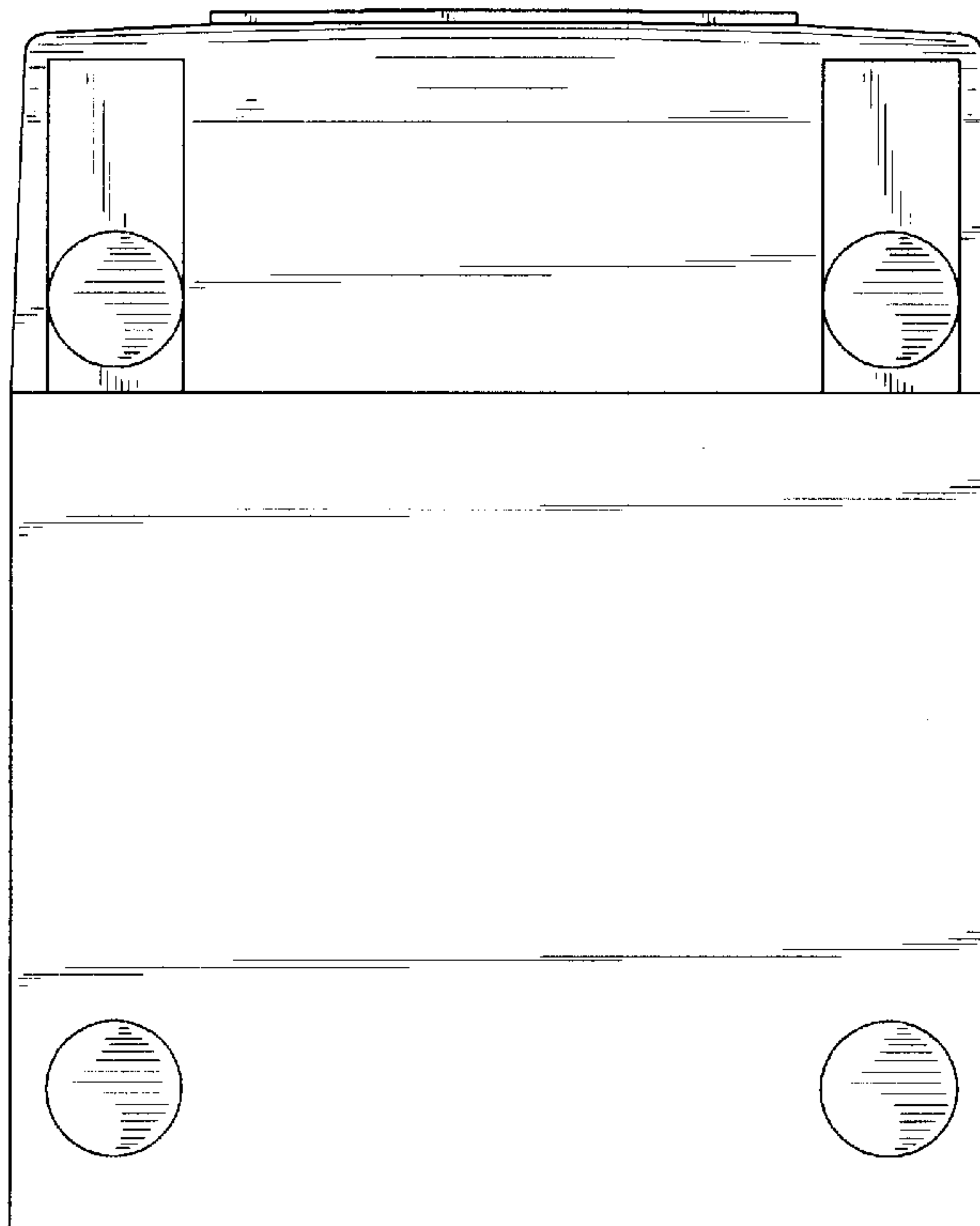


Fig. 3



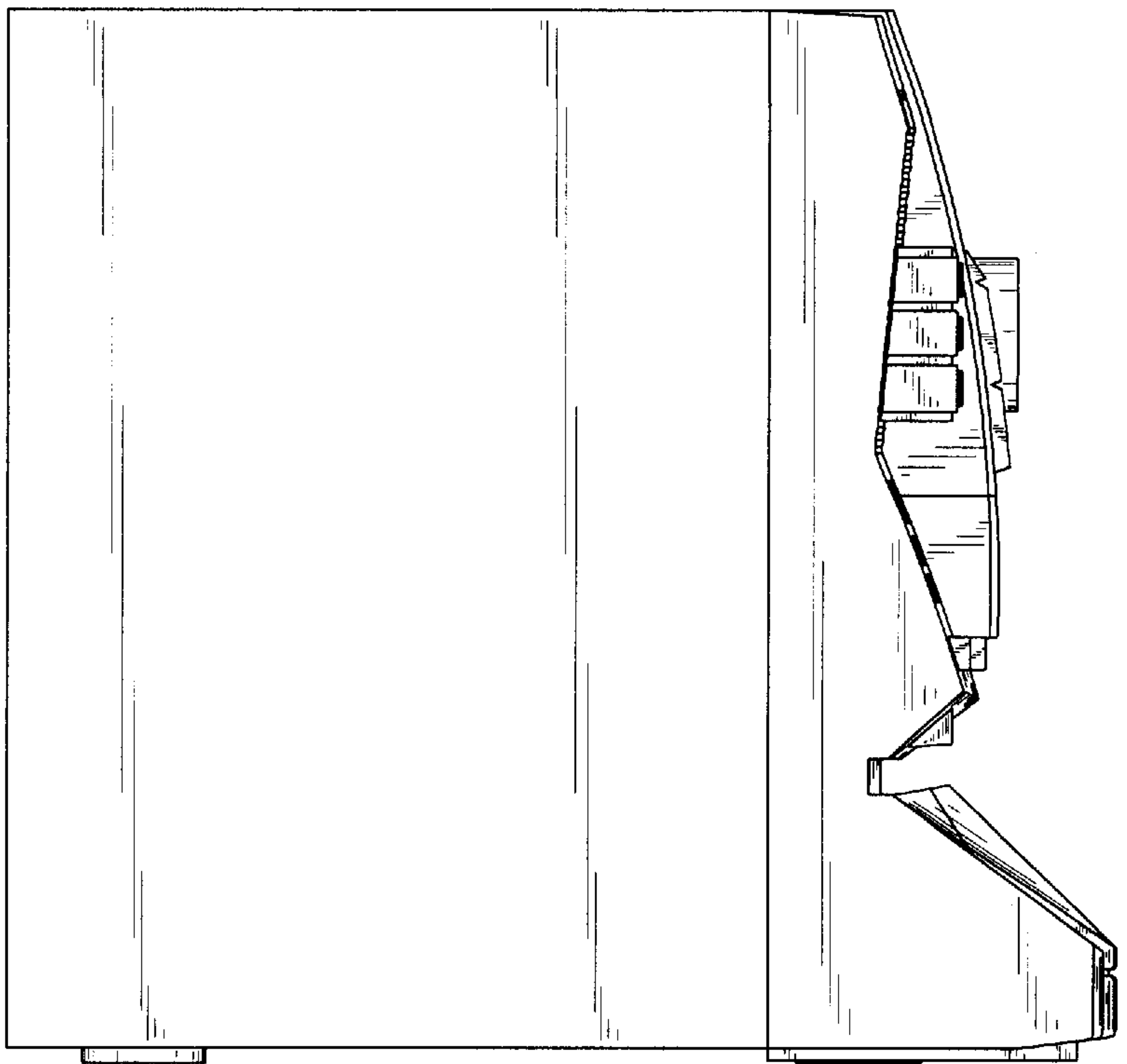


Fig. 4

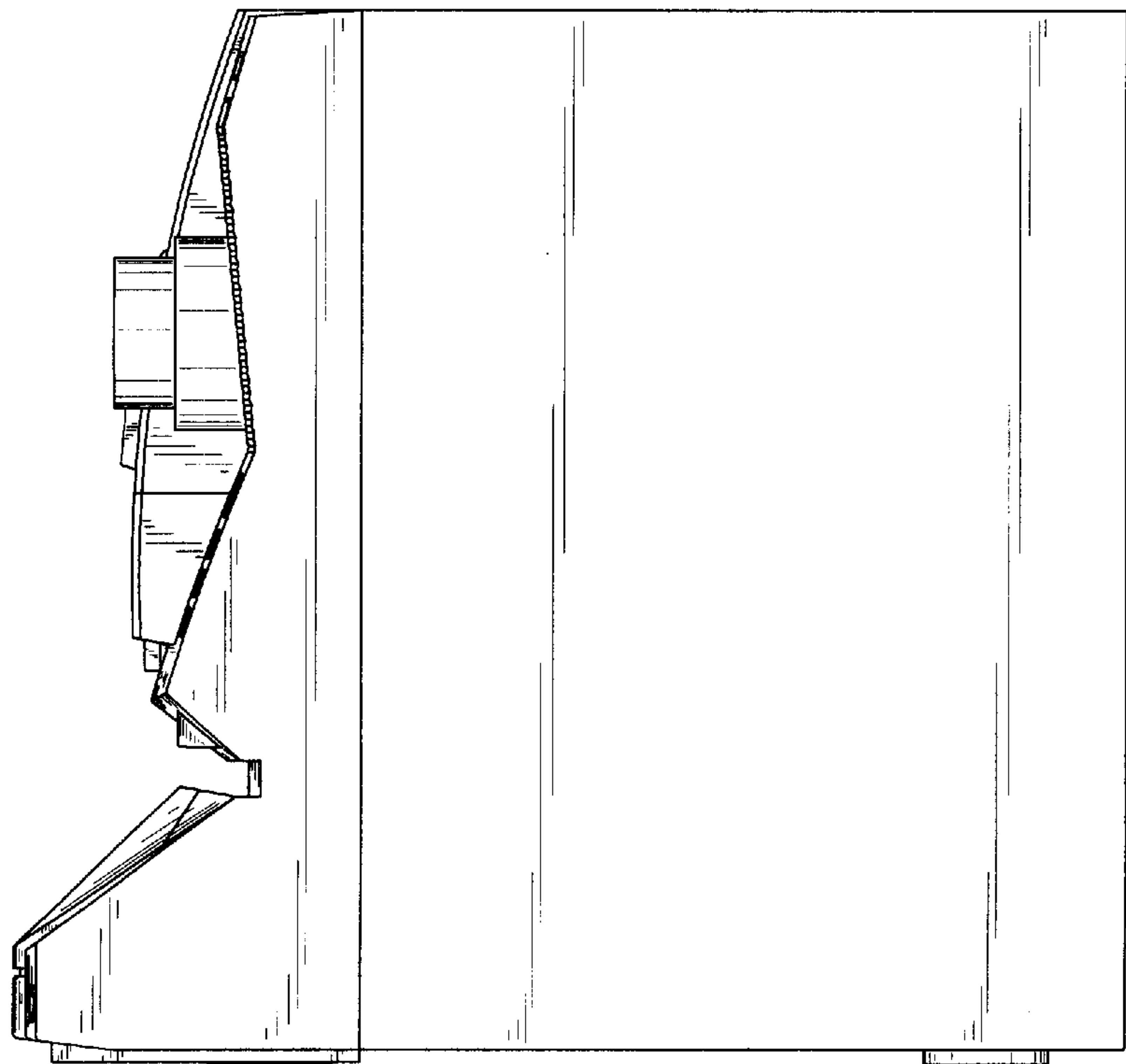


Fig. 5

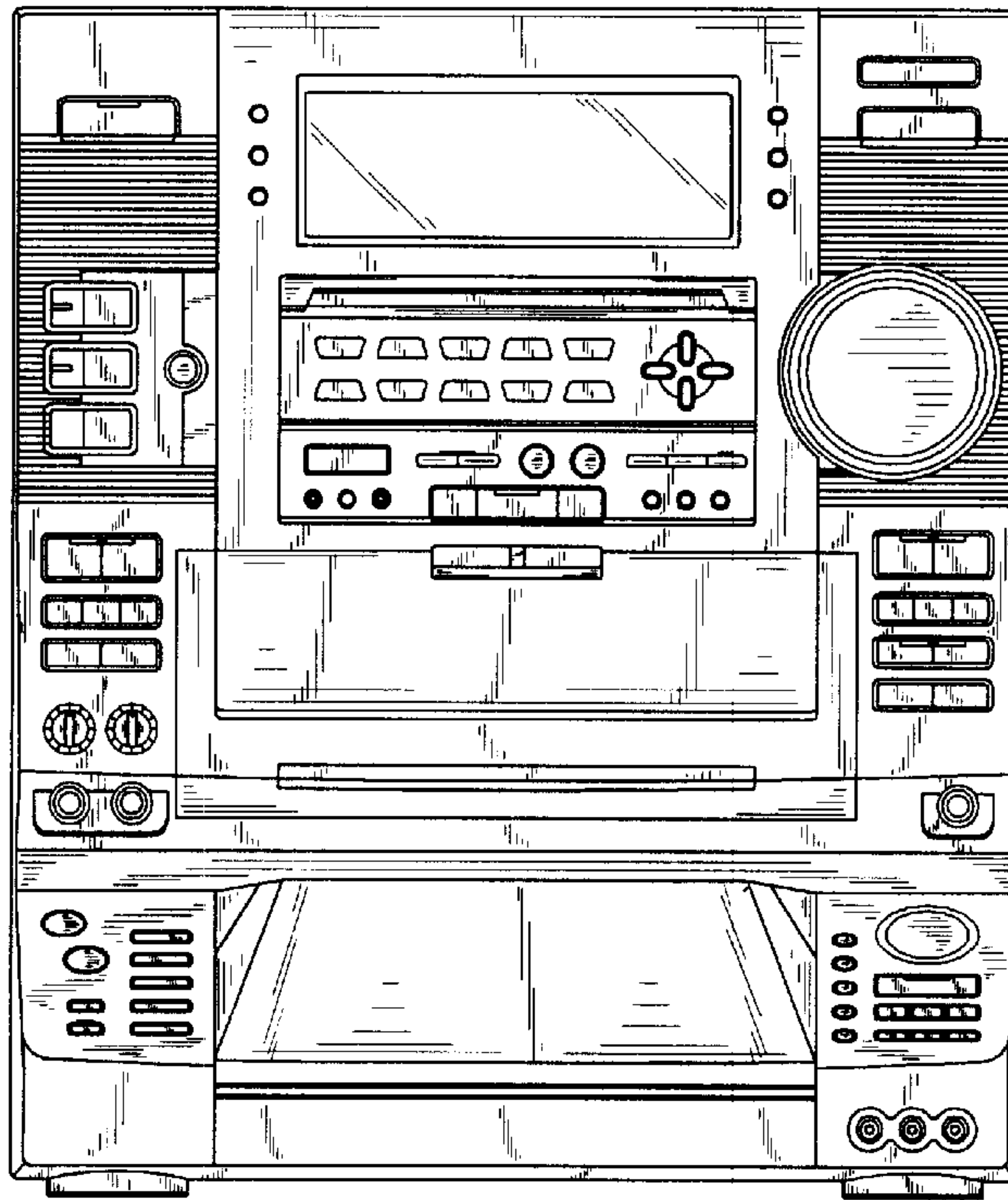


Fig. 6

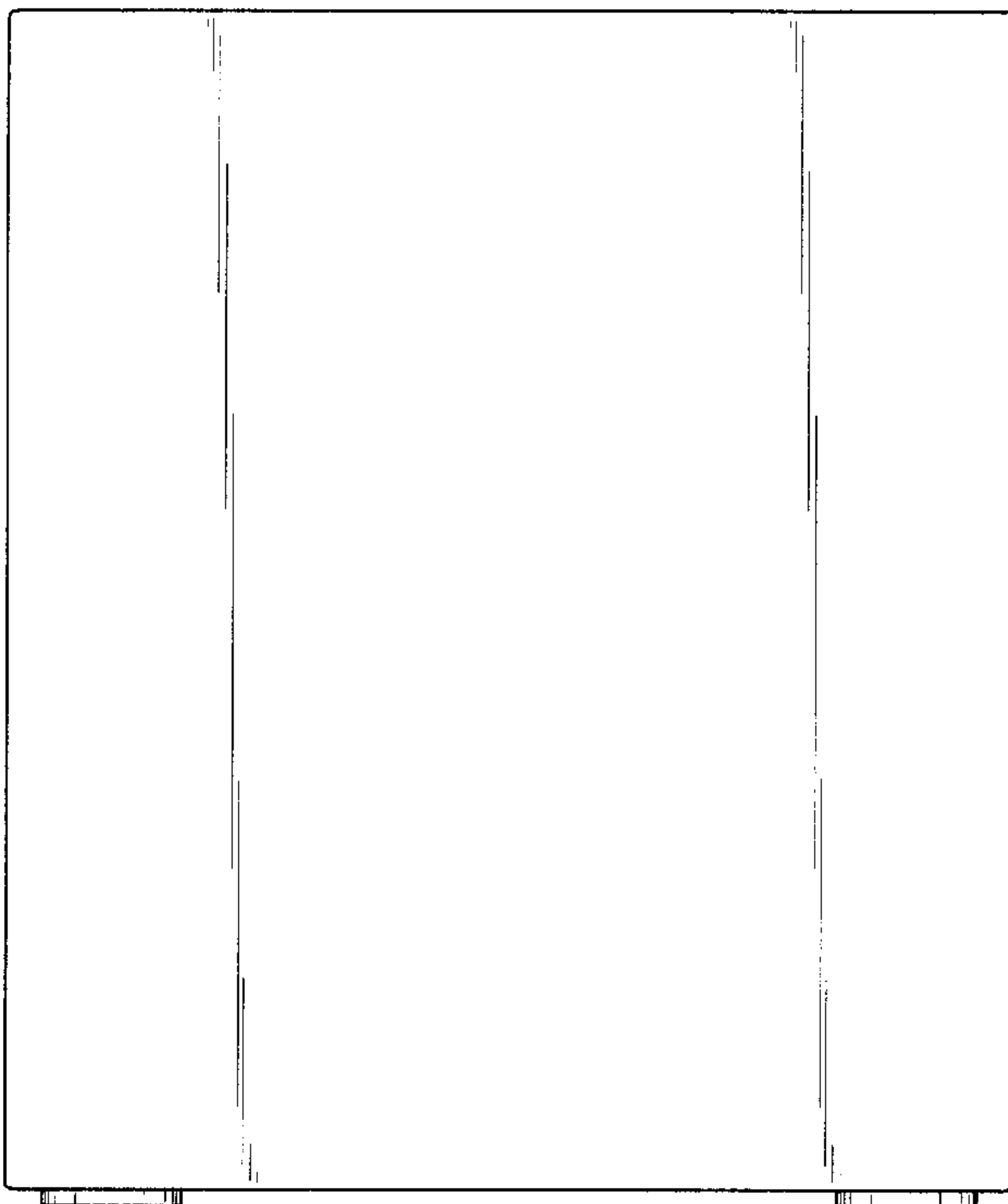


Fig. 7