



US00D452846B1

(12) **United States Design Patent**
Arai

(10) **Patent No.:** **US D452,846 S**
(45) **Date of Patent:** **** Jan. 8, 2002**

(54) **ELECTRICAL CONNECTOR**
(75) Inventor: **Junichi Arai, Isesaki (JP)**
(73) Assignee: **Hosiden Corporation, Osaka-fu (JP)**
(**) Term: **14 Years**

D430,109 S * 8/2000 Arai D13/147
D436,925 S * 1/2001 Arai D13/147
D440,943 S * 4/2001 Arai D13/147
D441,344 S * 5/2001 Arai D13/147
D441,345 S * 5/2001 Arai D13/147

* cited by examiner

(21) Appl. No.: **29/140,659**
(22) Filed: **Apr. 24, 2001**
(30) **Foreign Application Priority Data**

Primary Examiner—Joel Sincavage
(74) *Attorney, Agent, or Firm*—Jones, Tullar & Cooper, P.C.

Nov. 10, 2000 (JP) 12-032155
(51) **LOC (7) Cl.** **13-03**
(52) **U.S. Cl.** **D13/147**
(58) **Field of Search** D13/146, 147;
439/607–610

(57) **CLAIM**

The ornamental design for an electrical connector, as shown and described.

DESCRIPTION

FIG. 1 is a front elevation view of an electrical connector showing my new design;
FIG. 2 is a rear elevation view thereof;
FIG. 3 is a top plan view thereof;
FIG. 4 is a bottom plan view thereof;
FIG. 5 is a left side elevation view thereof; and,
FIG. 6 is a right side elevation view thereof.

(56) **References Cited**
U.S. PATENT DOCUMENTS

4,650,270 A * 3/1987 Tajima et al. 439/607
D330,540 S * 10/1992 Tanaka D13/147
D391,551 S * 3/1998 Ono D13/147

1 Claim, 2 Drawing Sheets

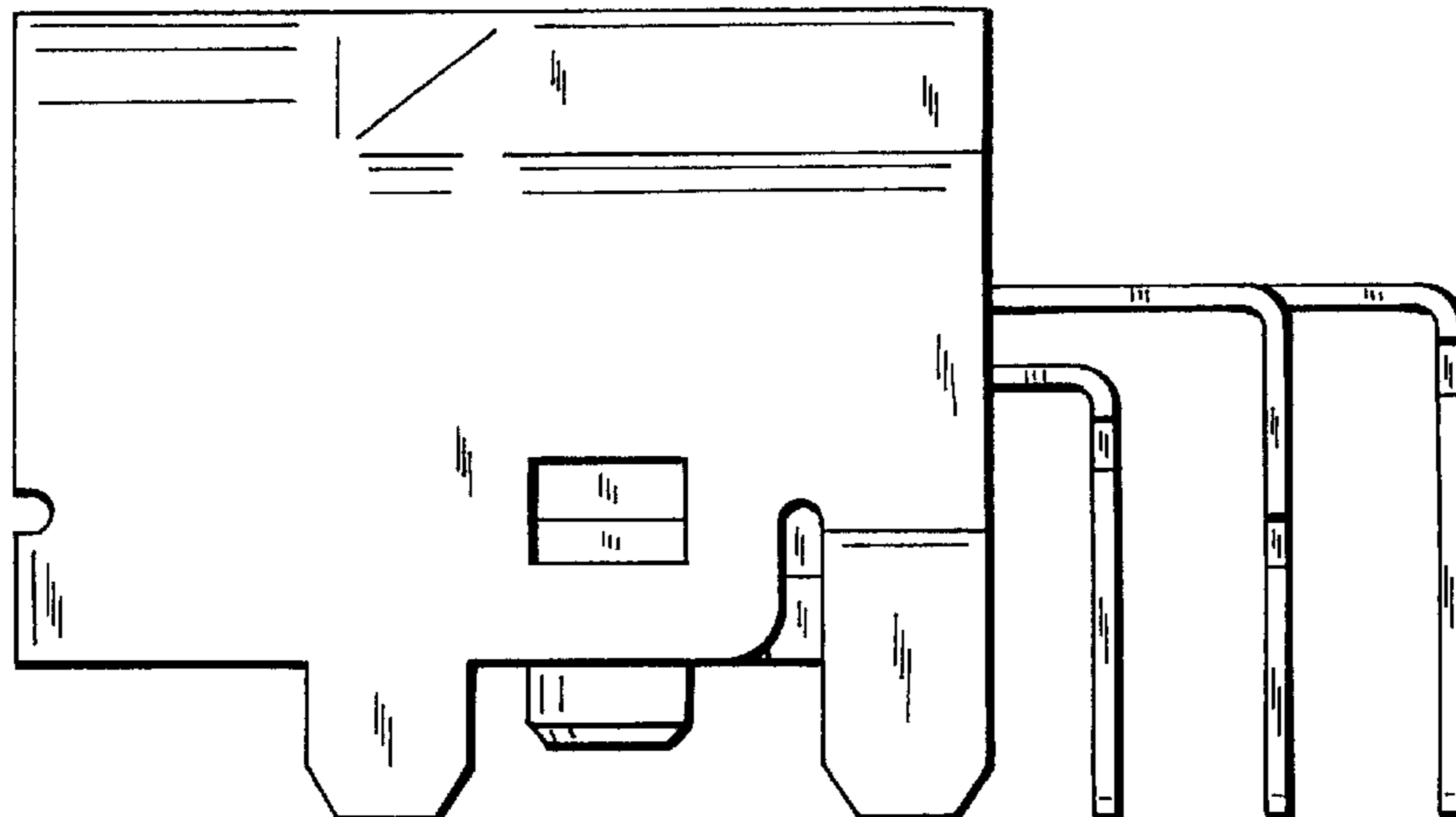
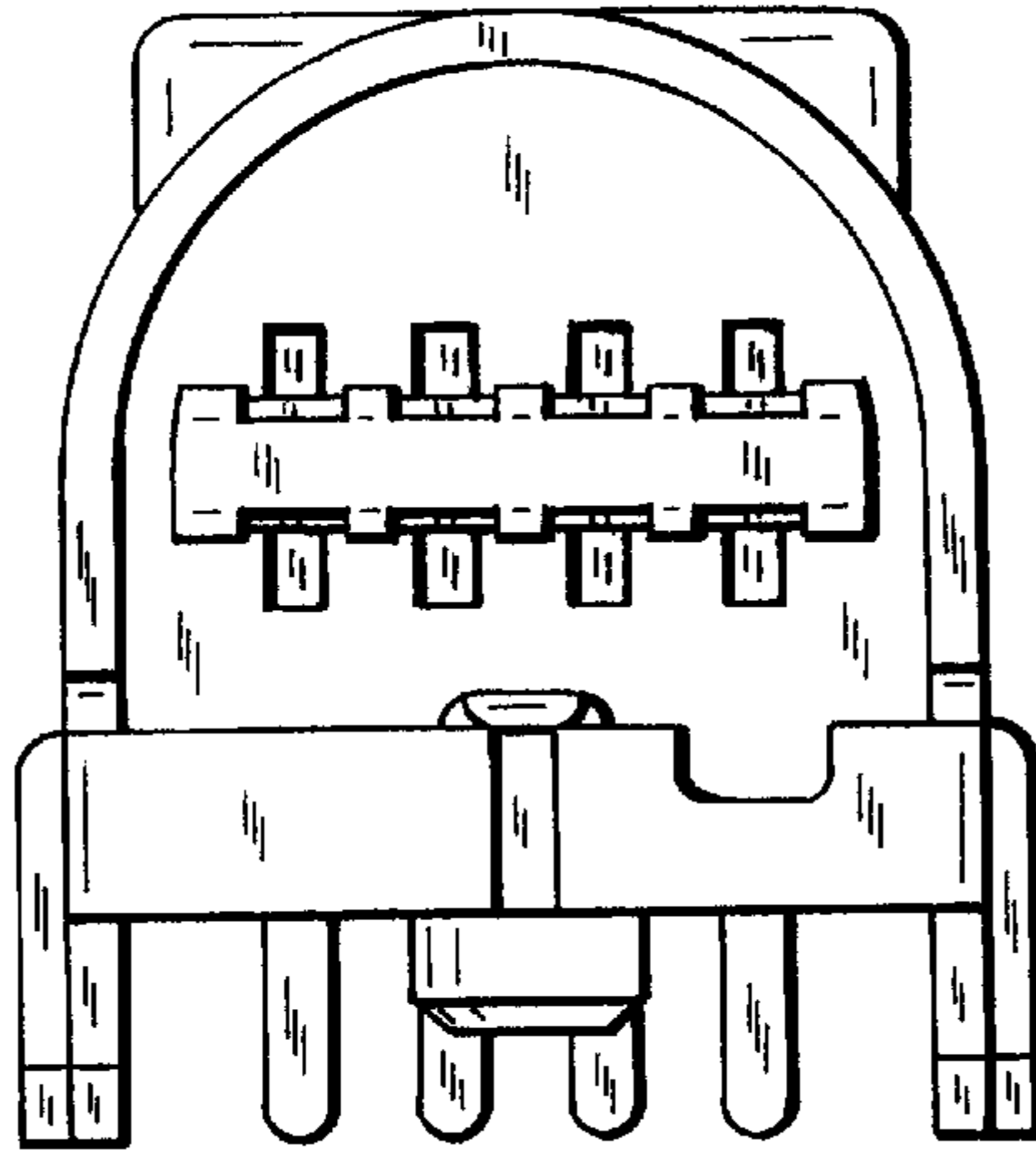


Fig. 1

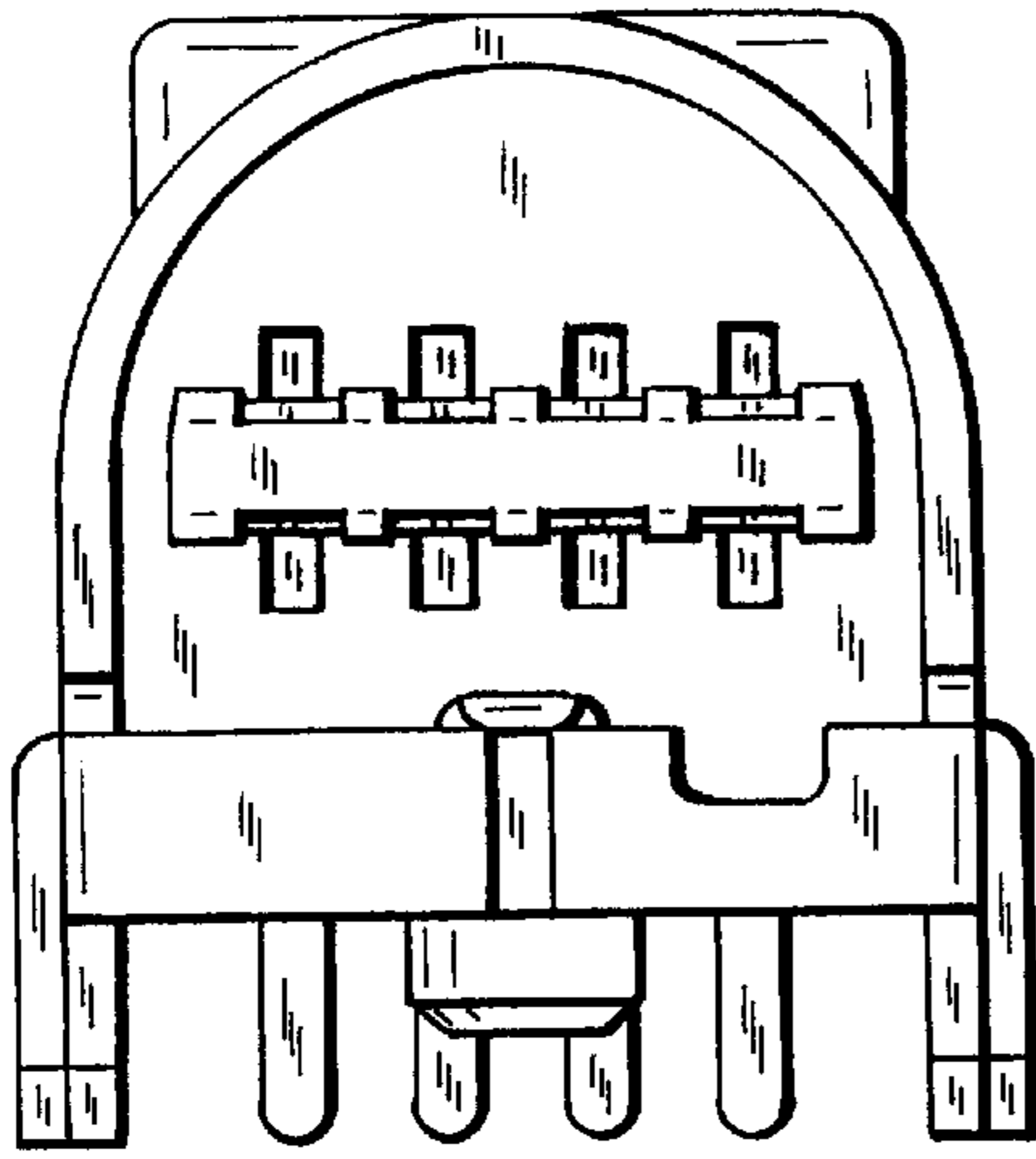


Fig. 2

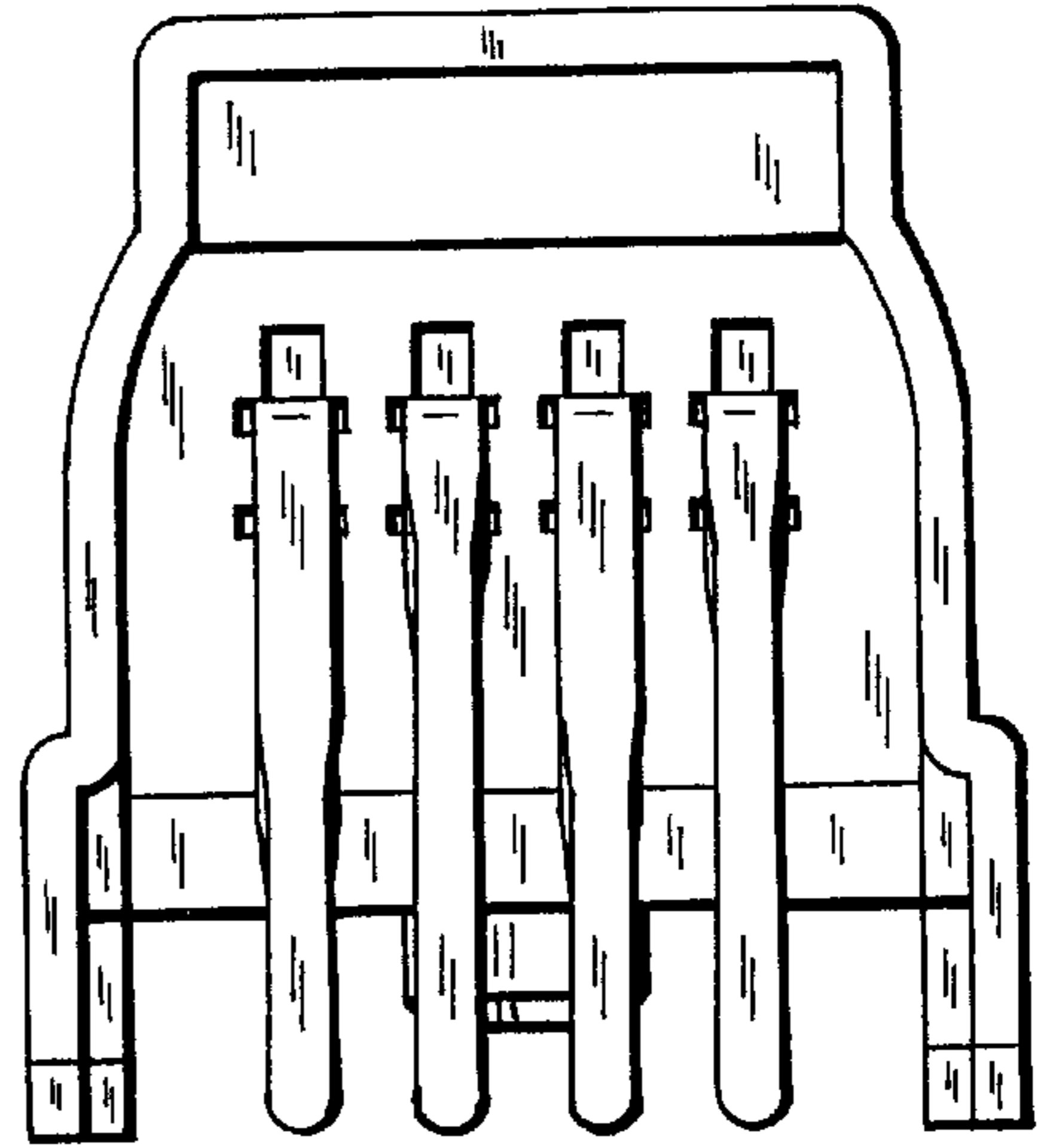


Fig. 3

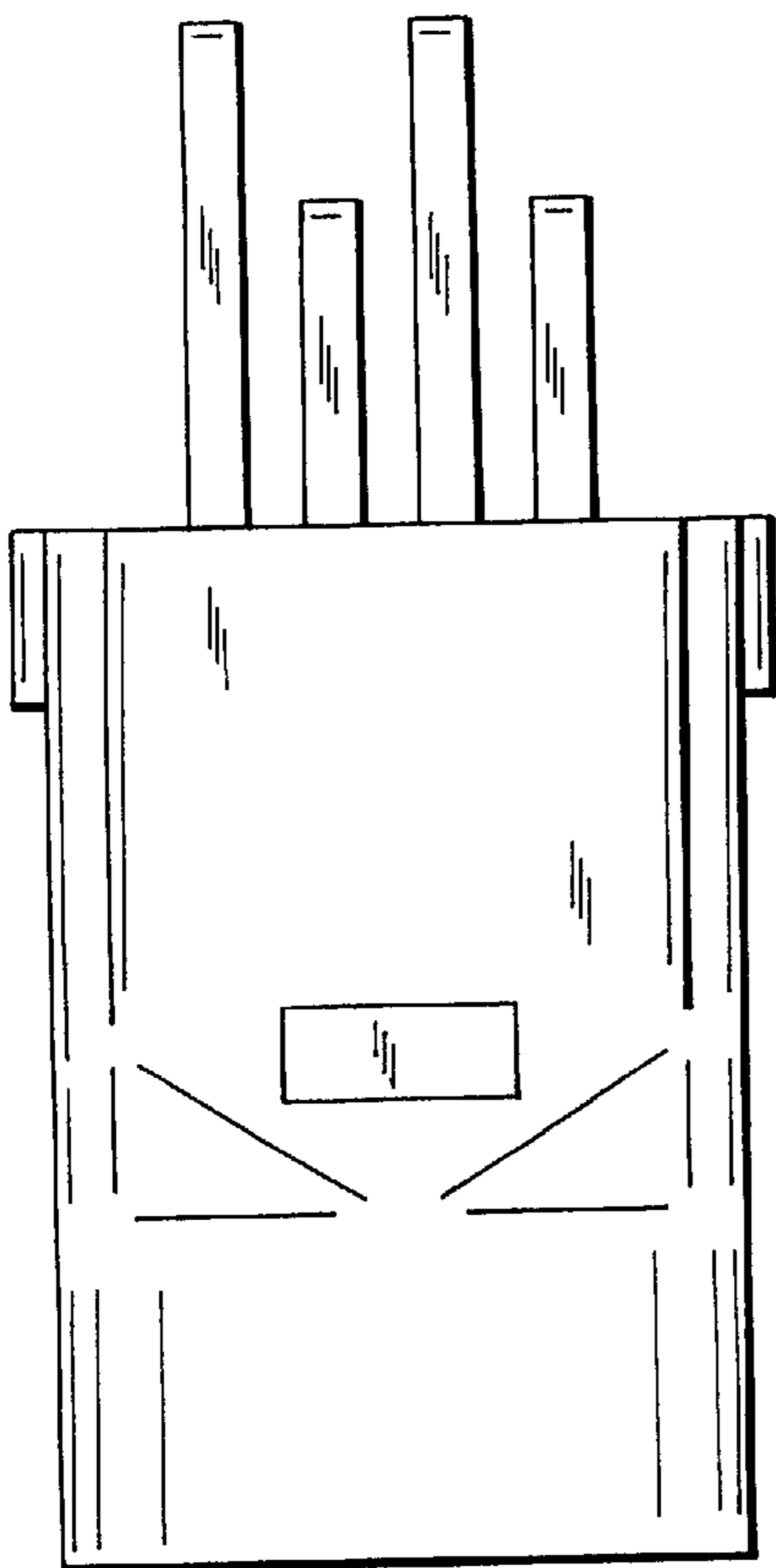


Fig. 4

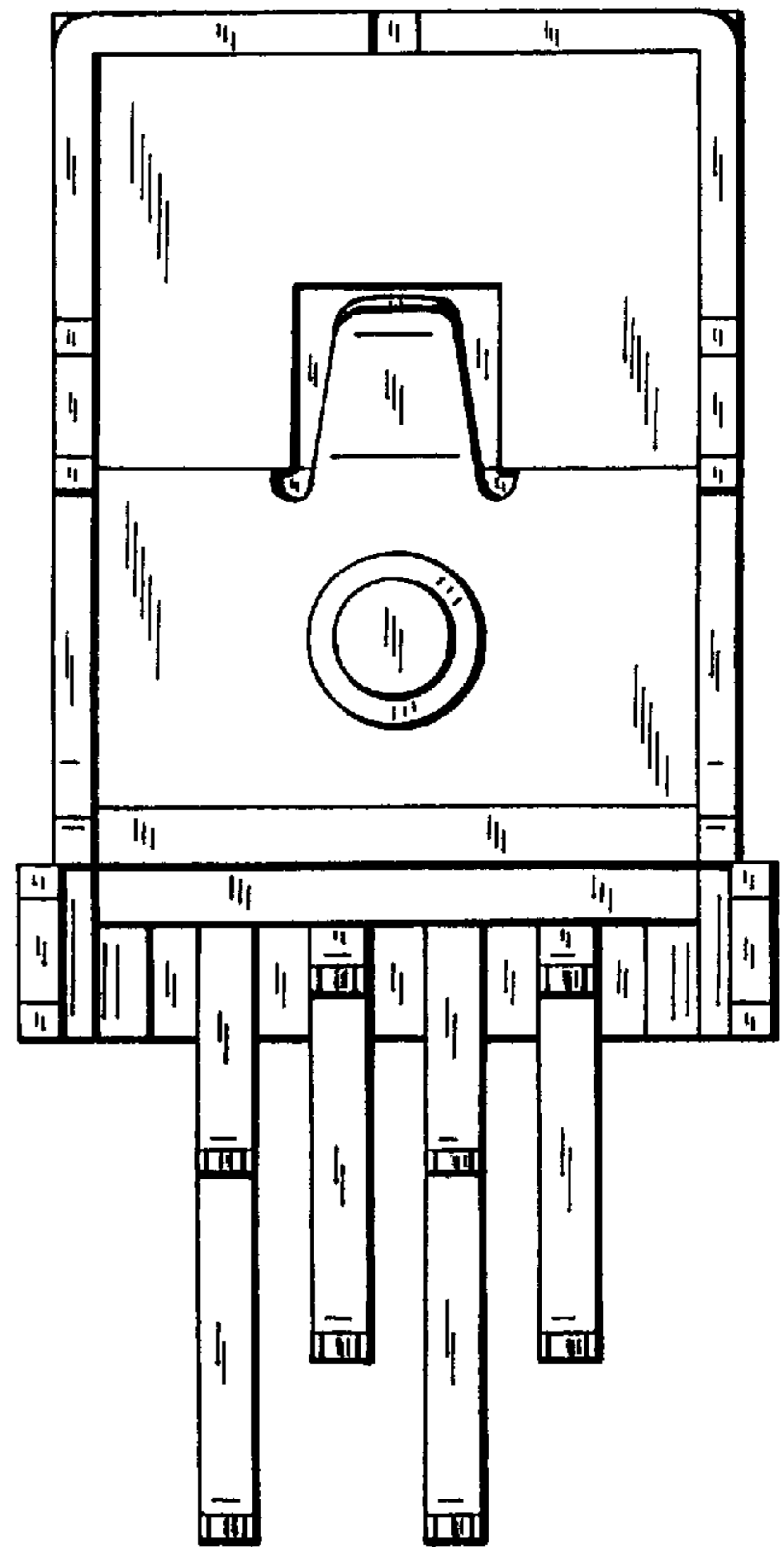


Fig. 5

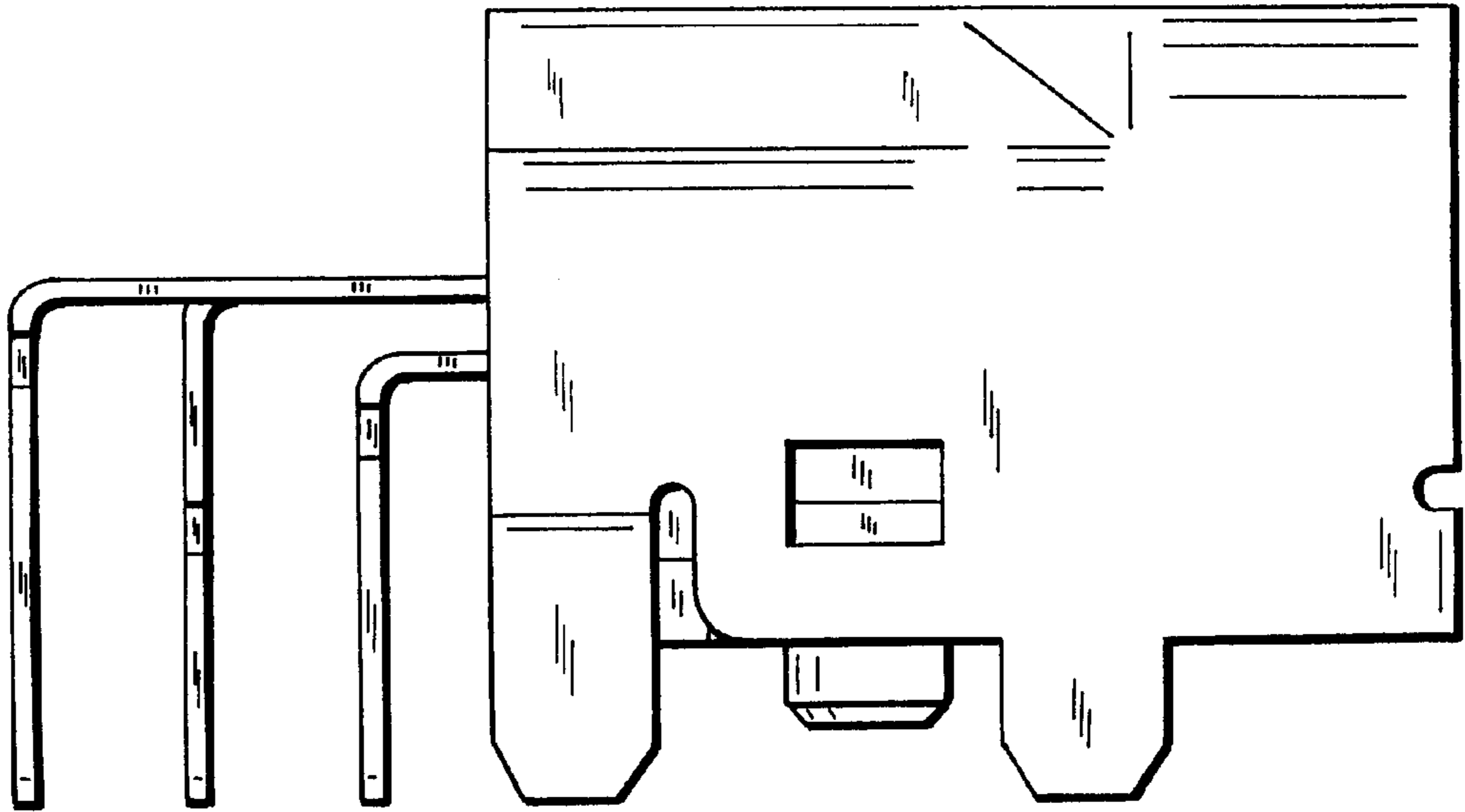


Fig. 6

