



US00D452844B1

(12) **United States Design Patent**
Yu

(10) **Patent No.:** **US D452,844 S**

(45) **Date of Patent:** **** Jan. 8, 2002**

(54) **RECEPTACLE ADAPTER**

Primary Examiner—Jennifer Rivard

(76) Inventor: **Jeff Yu**, 1101 S. Winchester Blvd.
#D146, San Jose, CA (US) 95128

(57) **CLAIM**

The ornamental design for a receptacle adapter, as shown and described.

(**) Term: **14 Years**

DESCRIPTION

(21) Appl. No.: **29/133,761**

FIG. 1 is a top view of a receptacle adapter;
FIG. 2 is a front elevational view thereof;
FIG. 3 is a rear elevational view thereof;
FIG. 4 is a right side elevational view thereof;
FIG. 5 is a left side elevational view thereof;
FIG. 6 is a bottom view thereof;
FIG. 7 is a top view of another embodiment of the invention;
and,
FIG. 8 is the right side elevational view of the embodiment shown in FIG. 7.
The broken line environmental showing is for illustrative purposes only and forms no part of the claimed design.

(22) Filed: **Dec. 7, 2000**

(51) **LOC (7) Cl.** **13-03**

(52) **U.S. Cl.** **D13/137.2; D13/139.1;**
D26/26

(58) **Field of Search** D13/137.1, 137.2,
D13/139.1; 337/189, 197, 198; 439/105,
650-654; D26/26, 32, 34

(56) **References Cited**

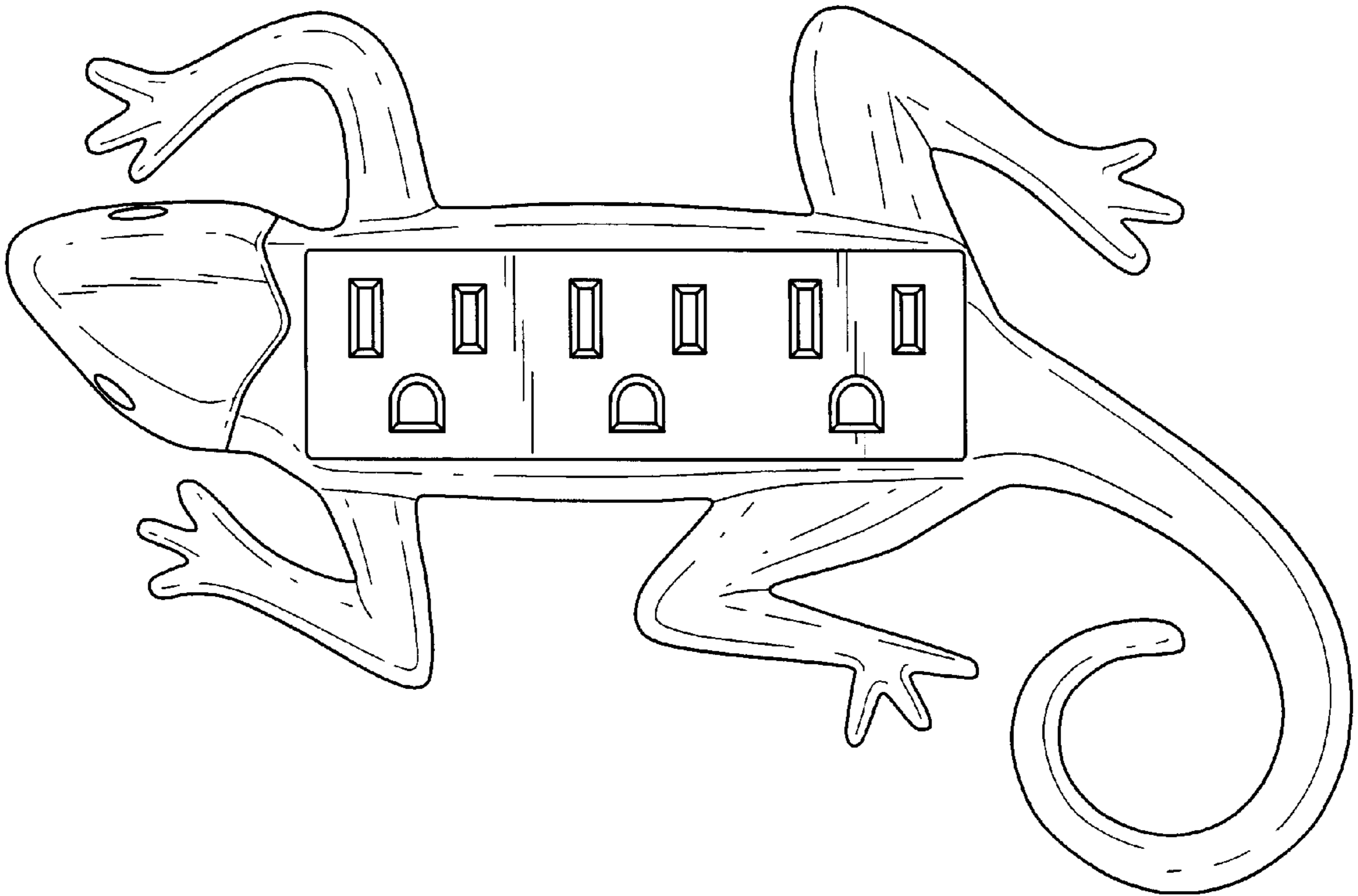
U.S. PATENT DOCUMENTS

D277,370 S * 1/1985 Gehr et al. D13/137.2

D437,649 S * 2/2001 Ho D26/26

* cited by examiner

1 Claim, 3 Drawing Sheets



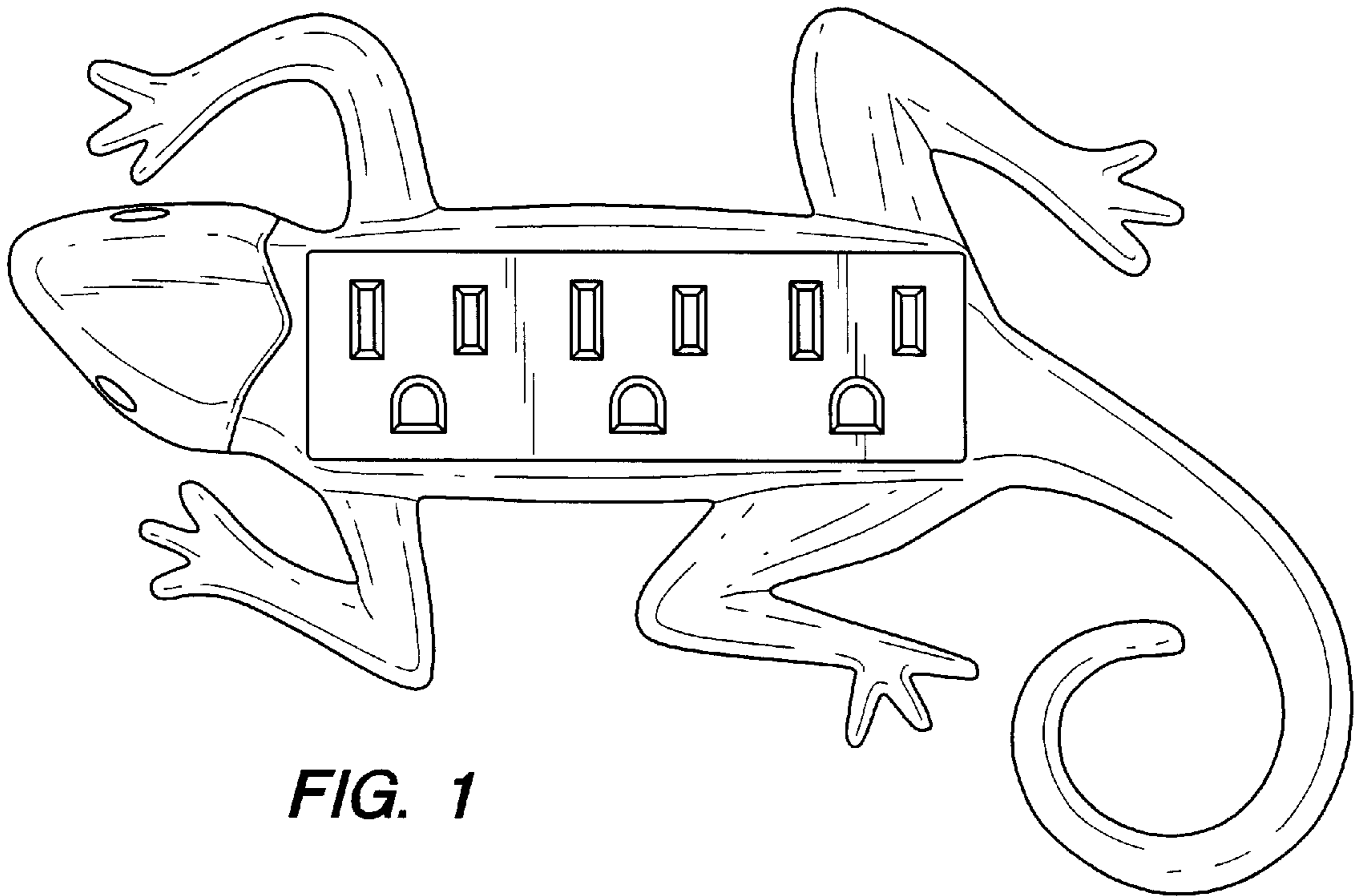


FIG. 1

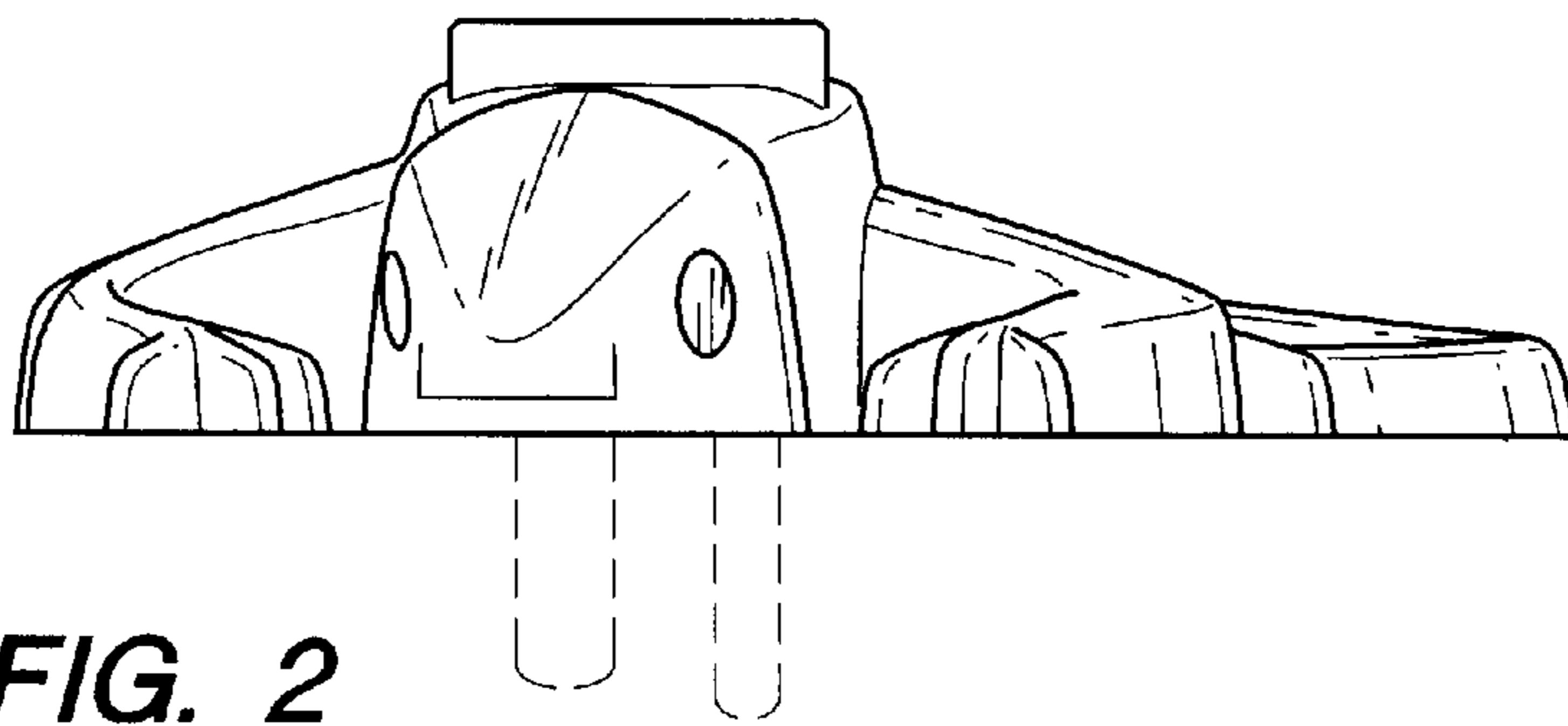


FIG. 2

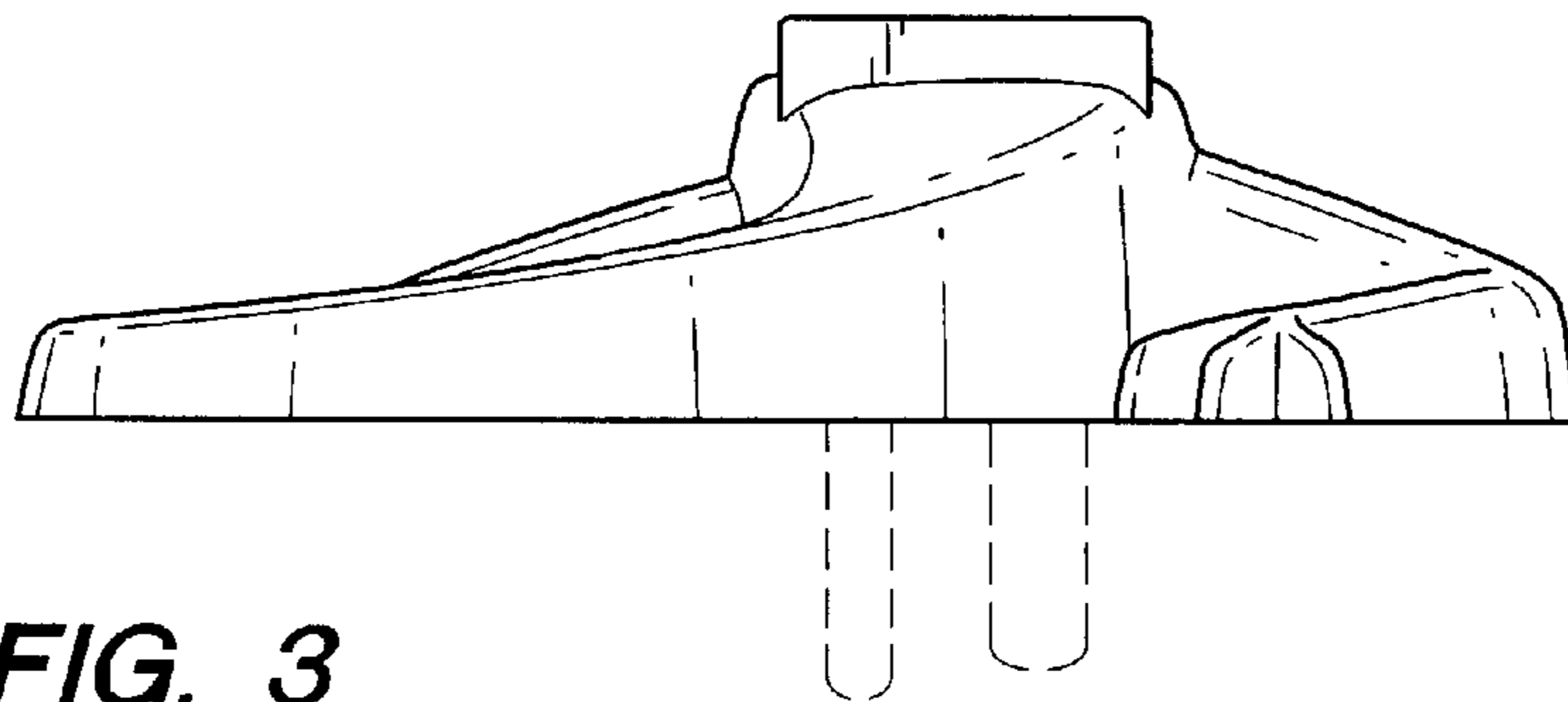


FIG. 3

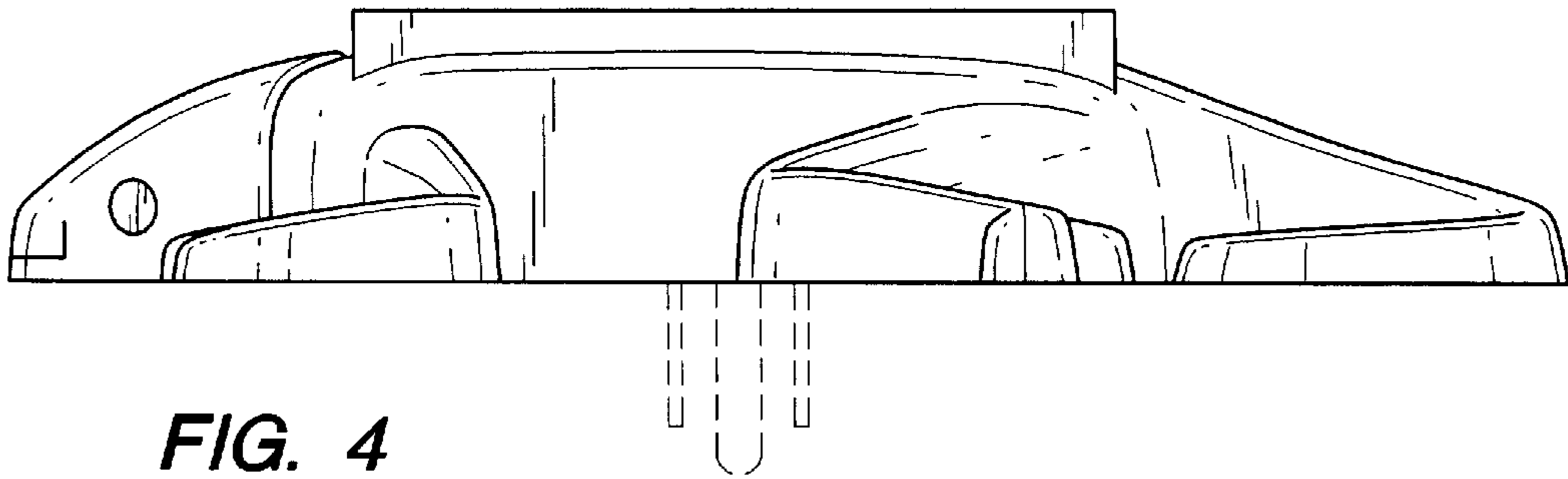


FIG. 4

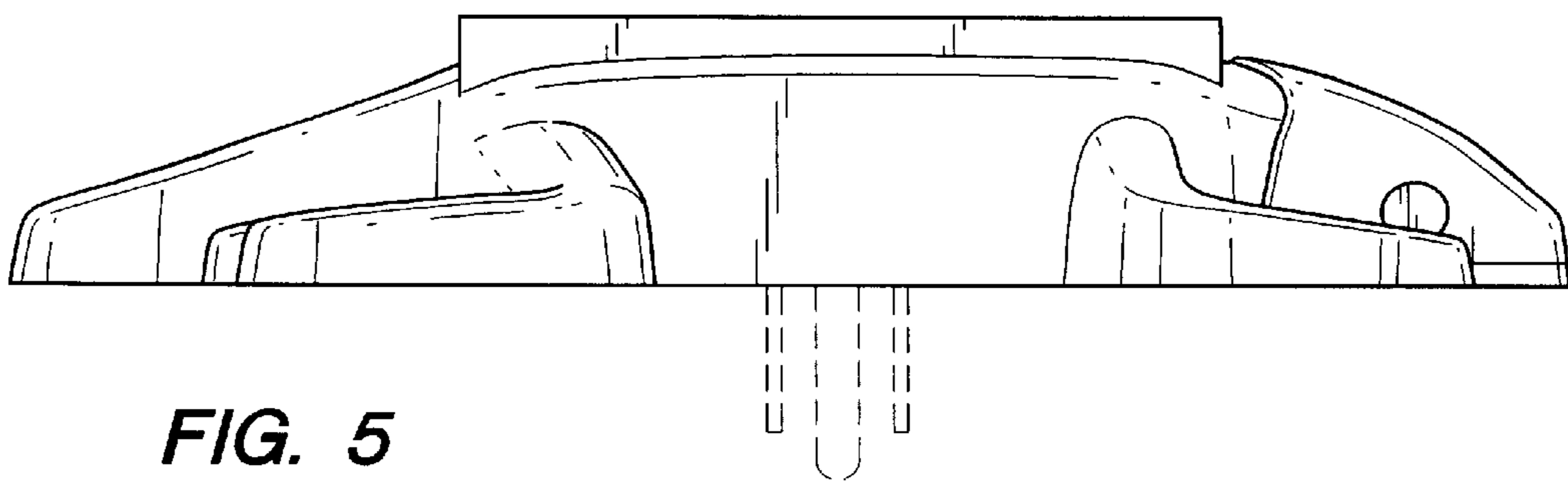


FIG. 5

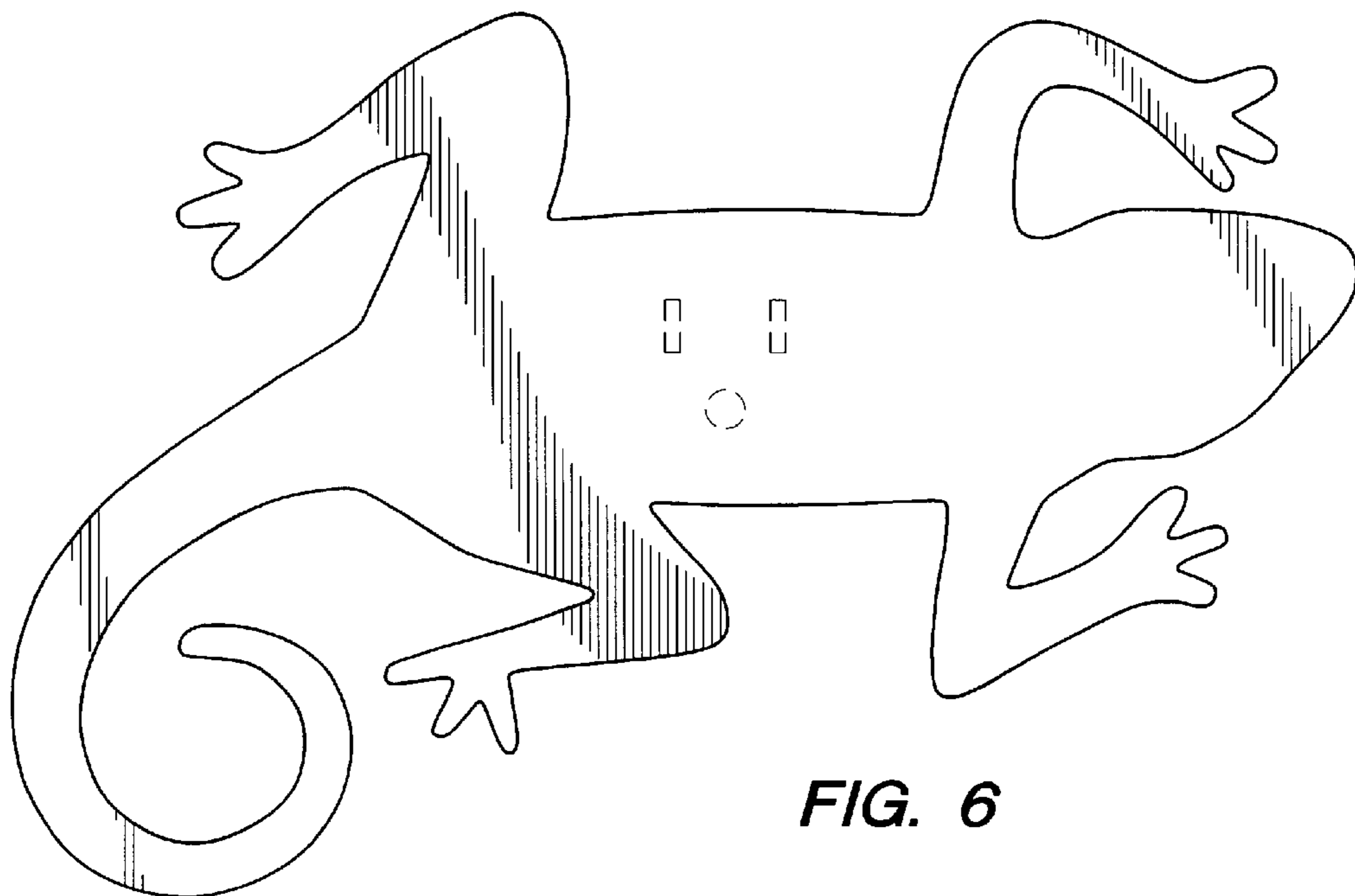


FIG. 6

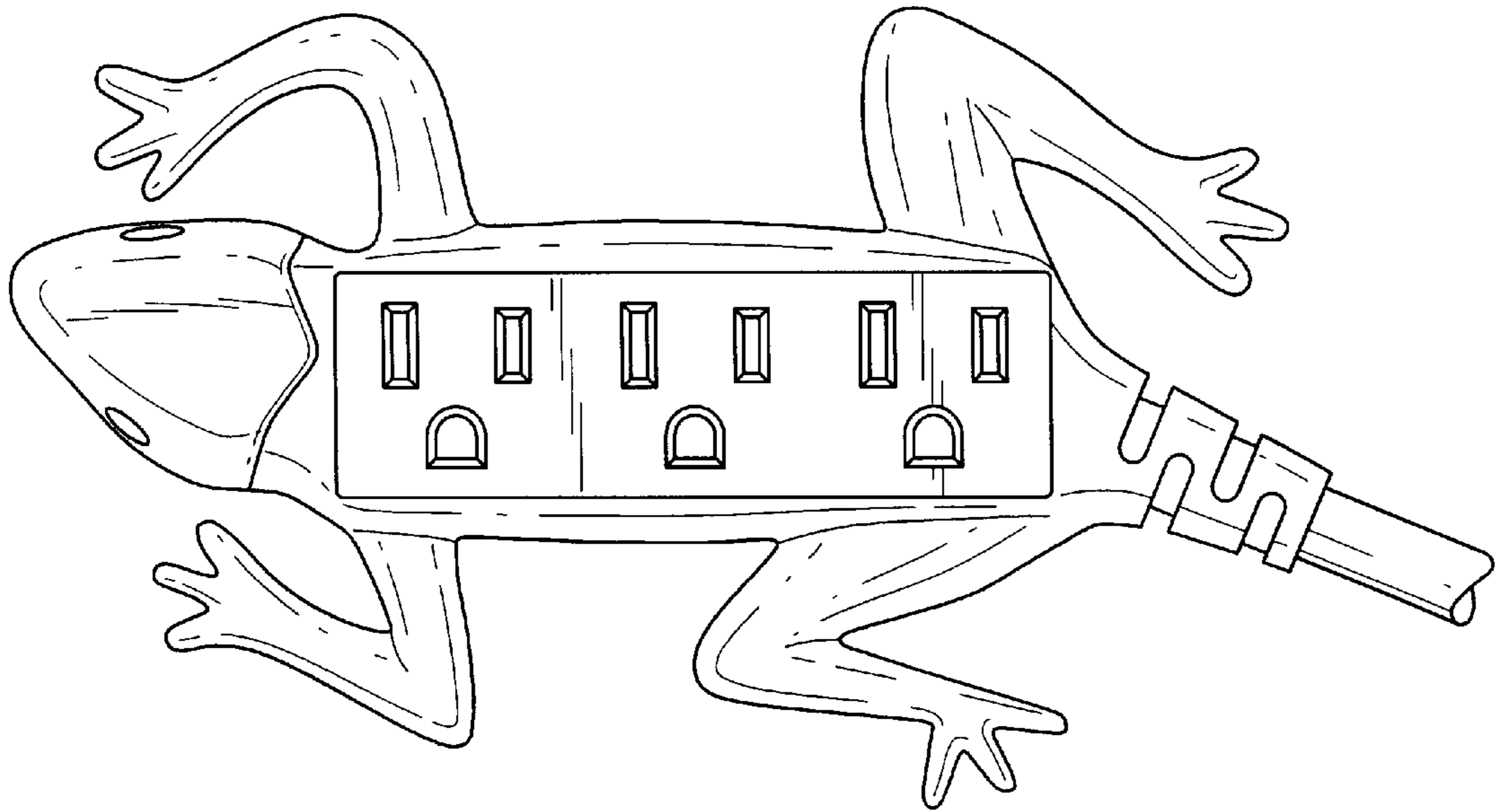


FIG. 7

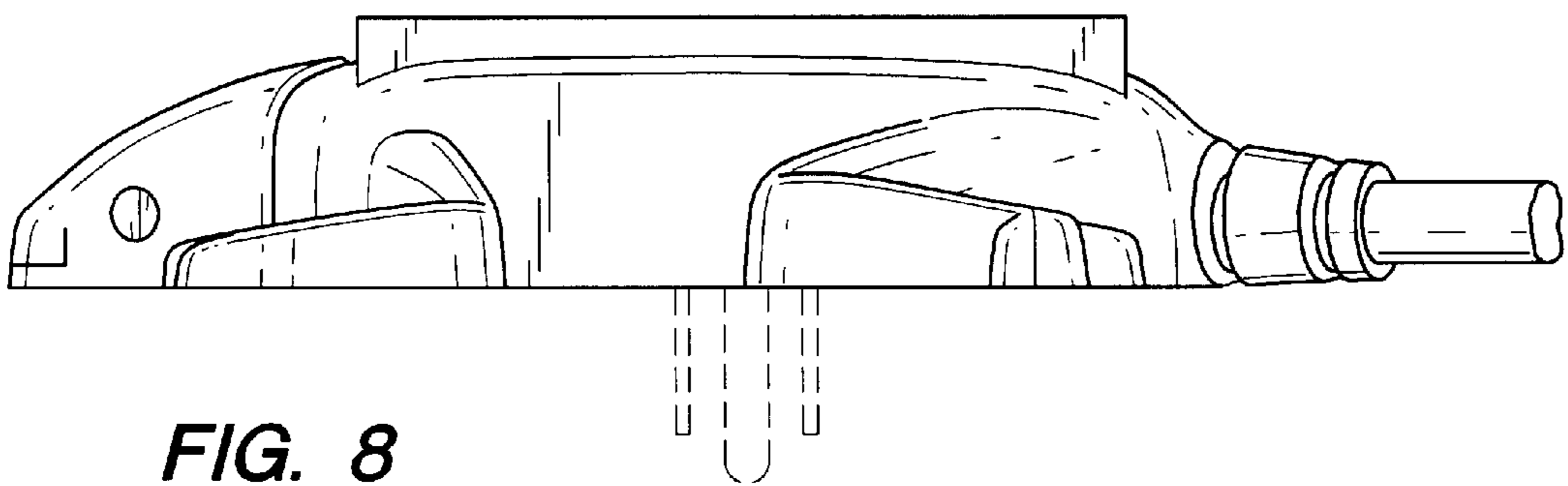


FIG. 8