



US00D452843B1

(12) **United States Design Patent**  
**Henrici**

(10) **Patent No.:**

**US D452,843 S**

(45) **Date of Patent:**

**\*\* Jan. 8, 2002**

(54) **LAMP HOLDER**

(75) Inventor: **Dieter Henrici**, Arnsberg (DE)

(73) Assignee: **BJB GmbH & Co. KG**, Arnsberg (DE)

(\*\*) Term: **14 Years**

(21) Appl. No.: **29/137,151**

(22) Filed: **Feb. 14, 2001**

**Related U.S. Application Data**

(62) Division of application No. 29/114,069, filed on Nov. 15, 1999, now Pat. No. Des. 442,142.

(30) **Foreign Application Priority Data**

May 20, 1999 (XH) ..... DM/048541

(51) **LOC (7) Cl.** ..... **13-03**

(52) **U.S. Cl.** ..... **D13/134**

(58) **Field of Search** ..... D13/134; 439/232,  
439/236, 619, 699.2; 313/318.12

(56) **References Cited**

**U.S. PATENT DOCUMENTS**

4,932,901 A \* 6/1990 Murakami et al. .... 439/619

4,936,789 A \* 6/1990 Ugalde ..... 439/236  
5,078,625 A \* 1/1992 Hiroto ..... 439/699  
5,150,008 A \* 9/1992 Lee ..... 313/318.12 X  
D367,260 S \* 2/1996 Yarmark ..... D13/134  
5,634,823 A \* 6/1997 Furuta et al. .... 439/699.2  
D415,104 S \* 10/1999 Klaus et al. .... D13/134

\* cited by examiner

*Primary Examiner*—Joel Sincavage

(74) *Attorney, Agent, or Firm*—Herbert Dubno

(57) **CLAIM**

The ornamental design for a lamp holder, as shown.

**DESCRIPTION**

FIG. 1 is a front, top, left side perspective view of the lamp holder showing my new design;

FIG. 2 is a top plan view thereof;

FIG. 3 is a front elevational view thereof;

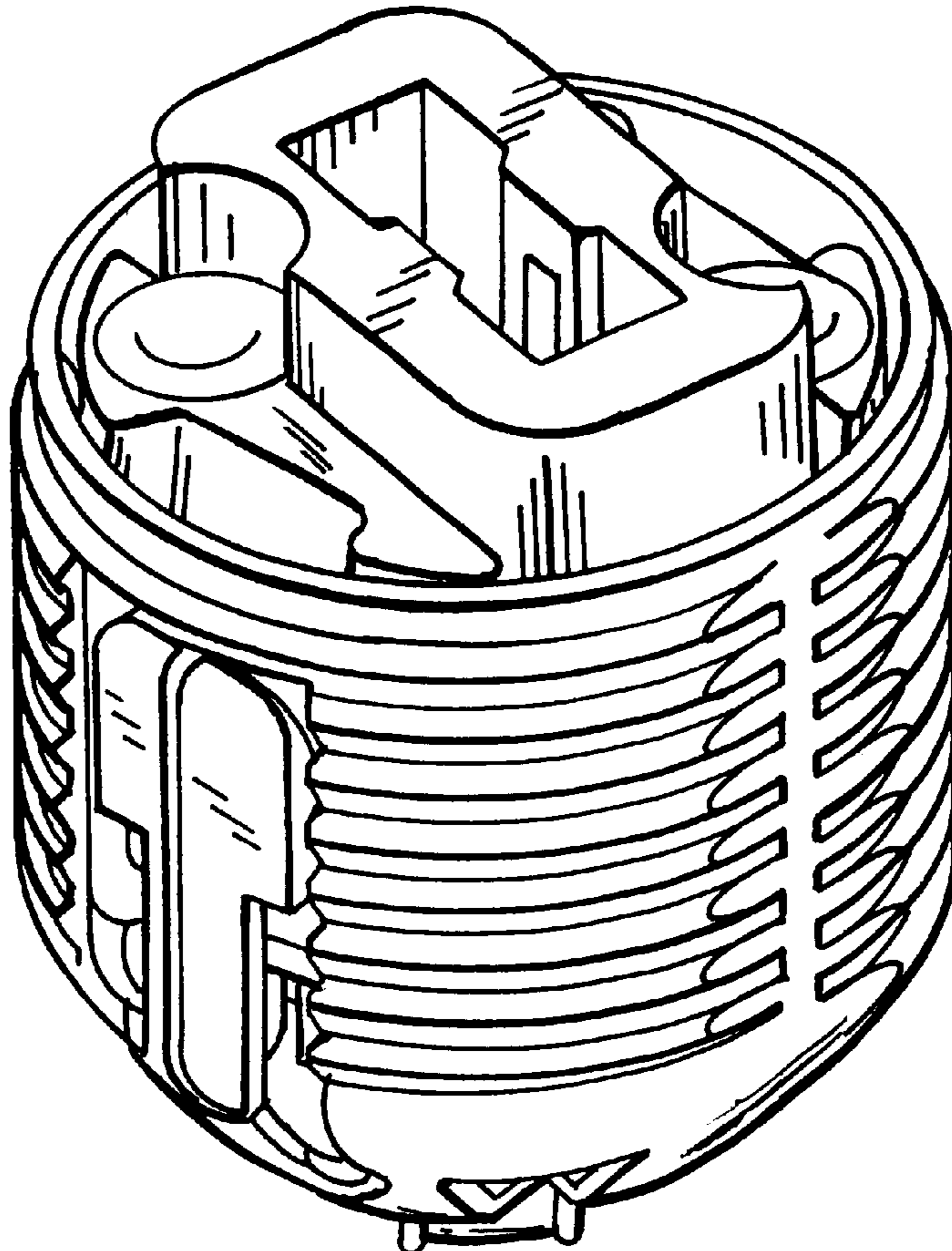
FIG. 4 is a left side-elevational view thereof;

FIG. 5 is a rear elevational view thereof;

FIG. 6 is a right side-elevational view thereof; and,

FIG. 7 is a bottom view thereof.

**1 Claim, 4 Drawing Sheets**



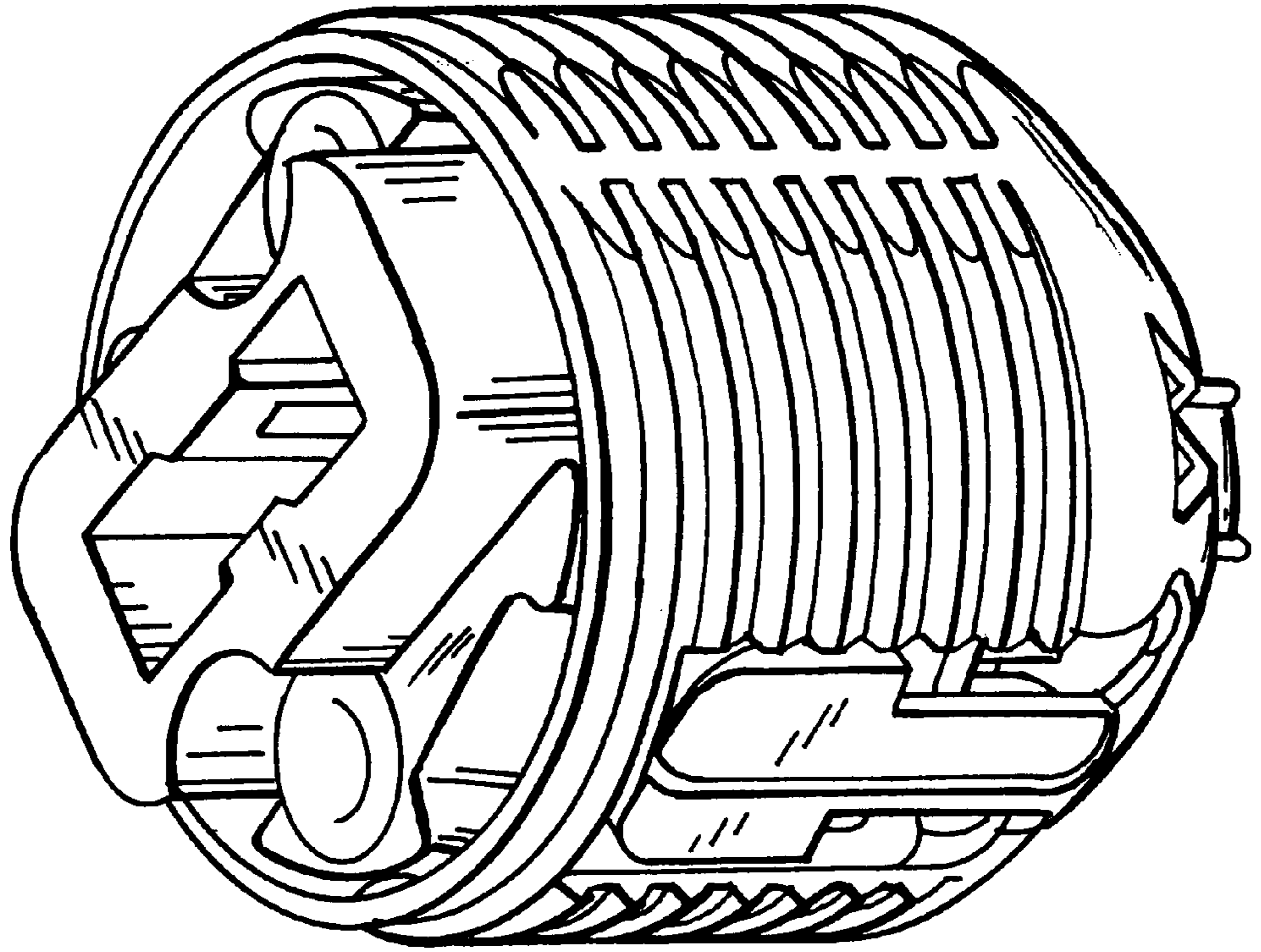


FIG. 1

FIG. 2

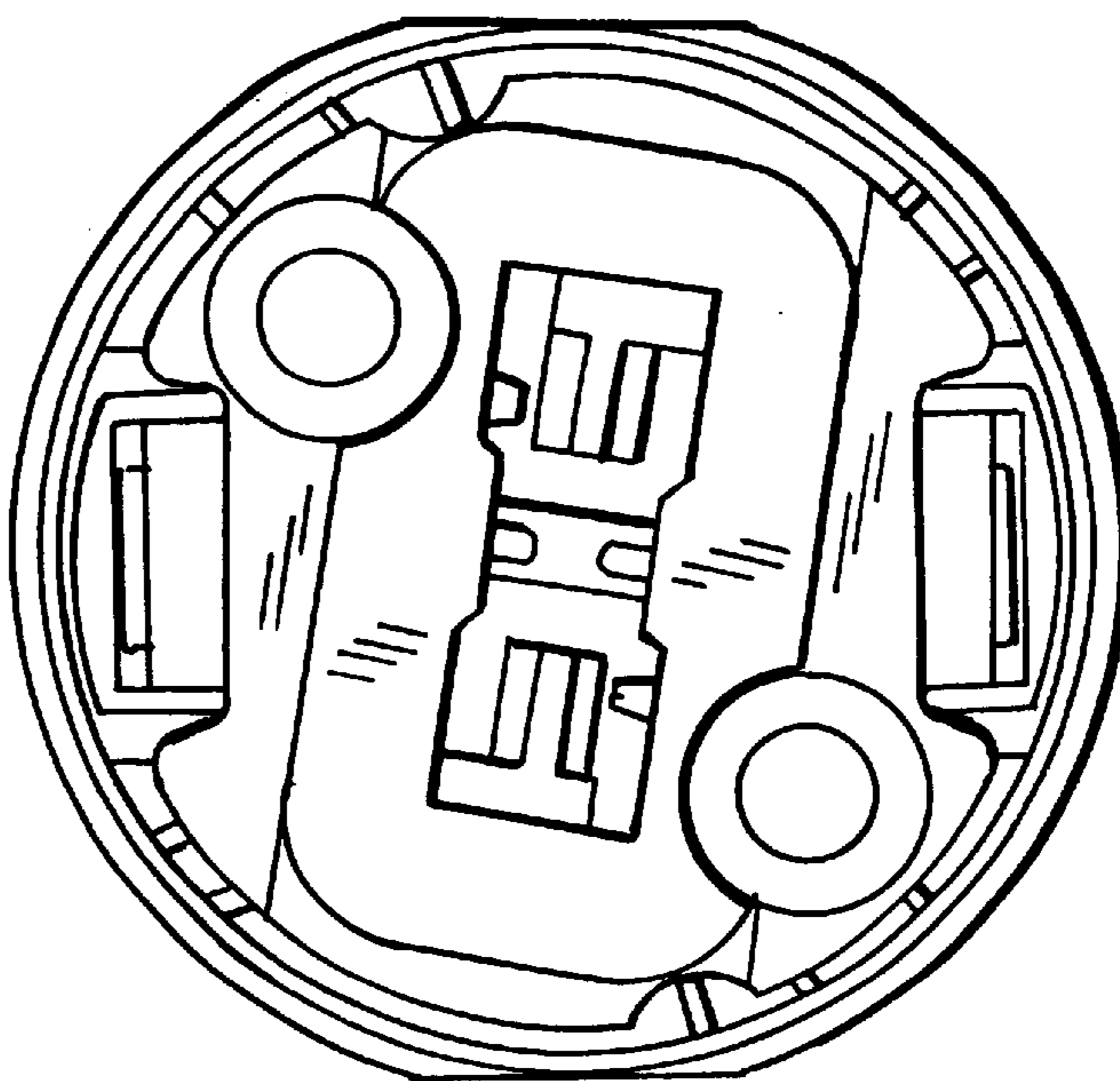


FIG. 7

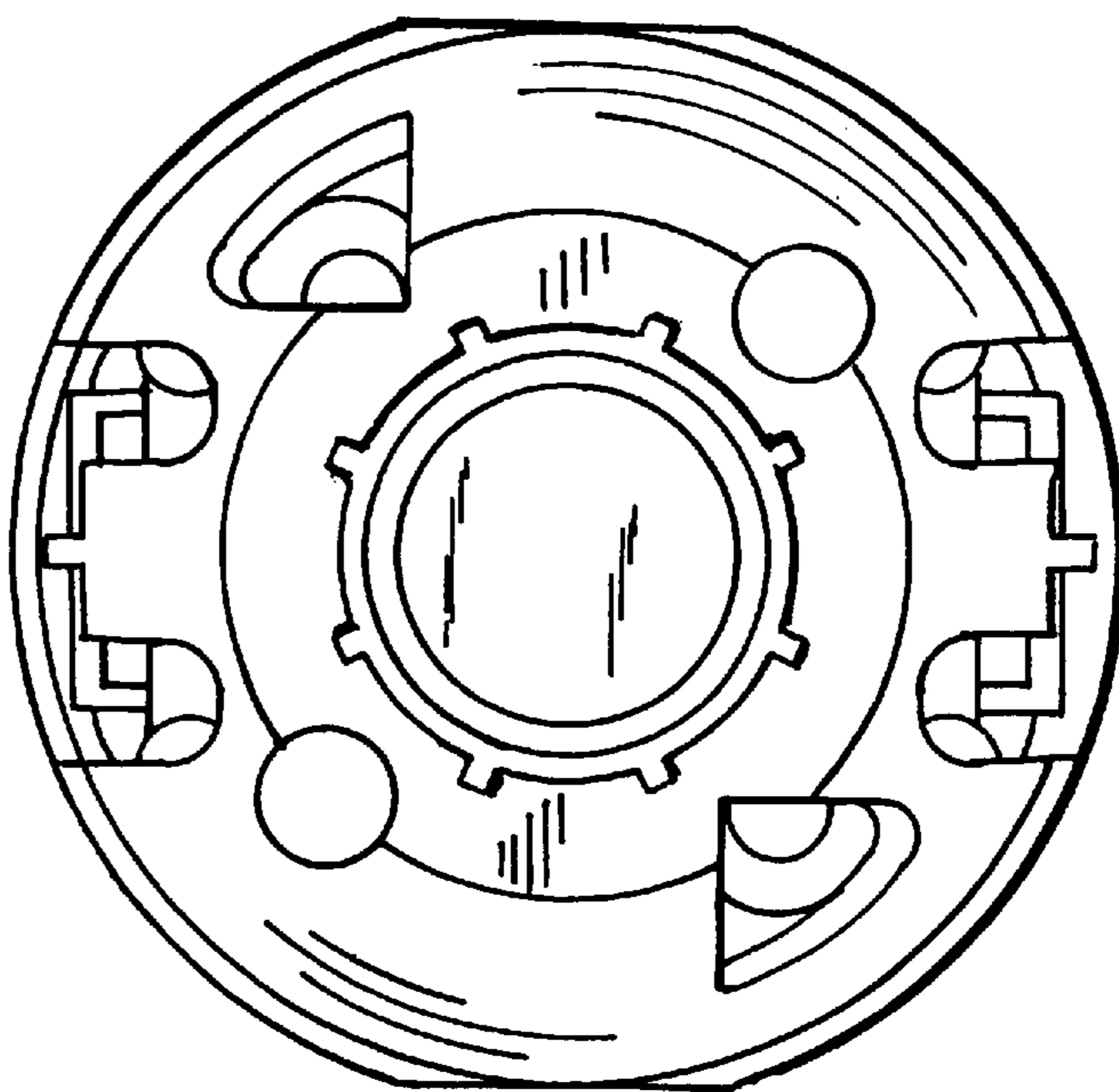


FIG. 4

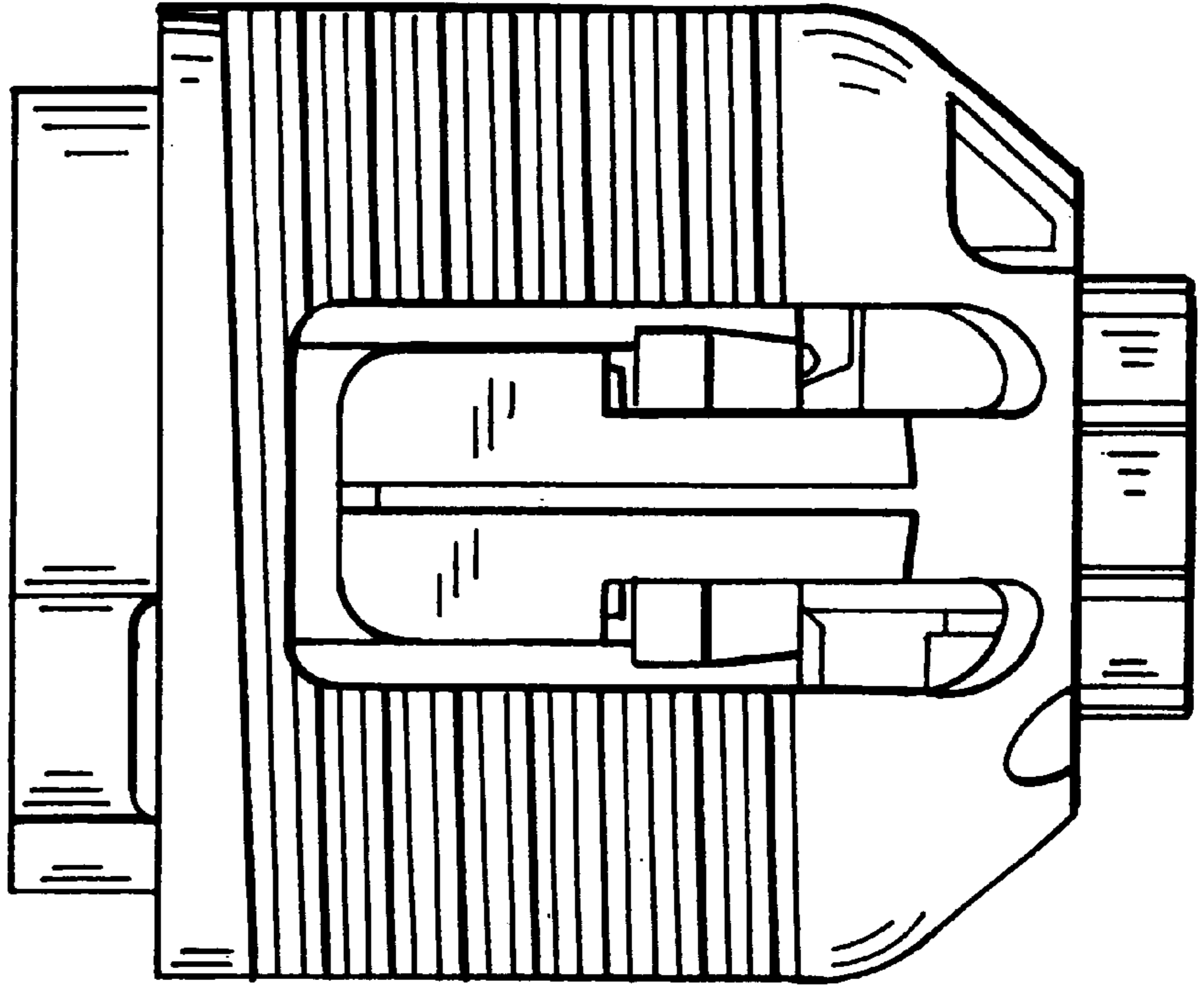


FIG. 3

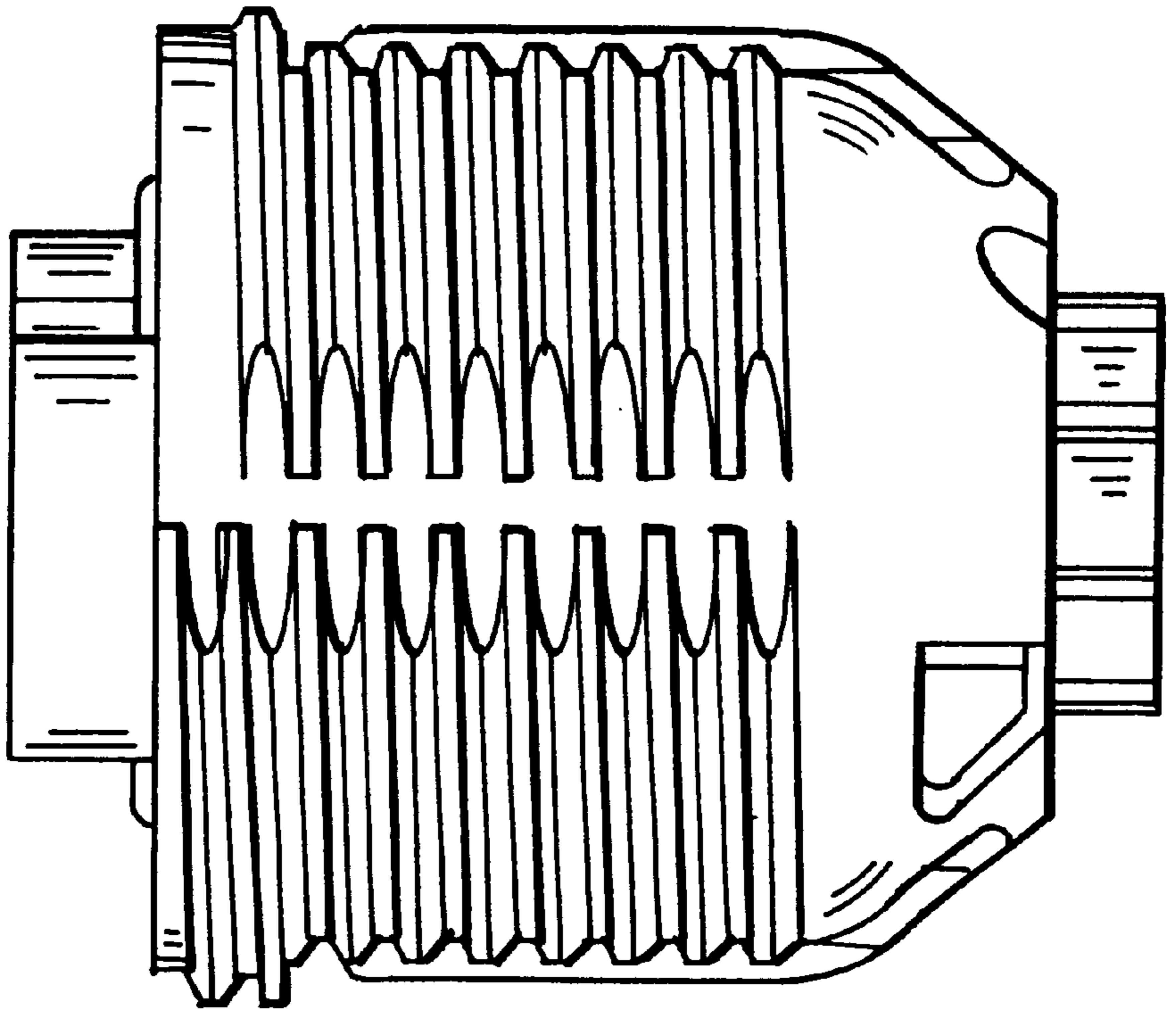


FIG. 5

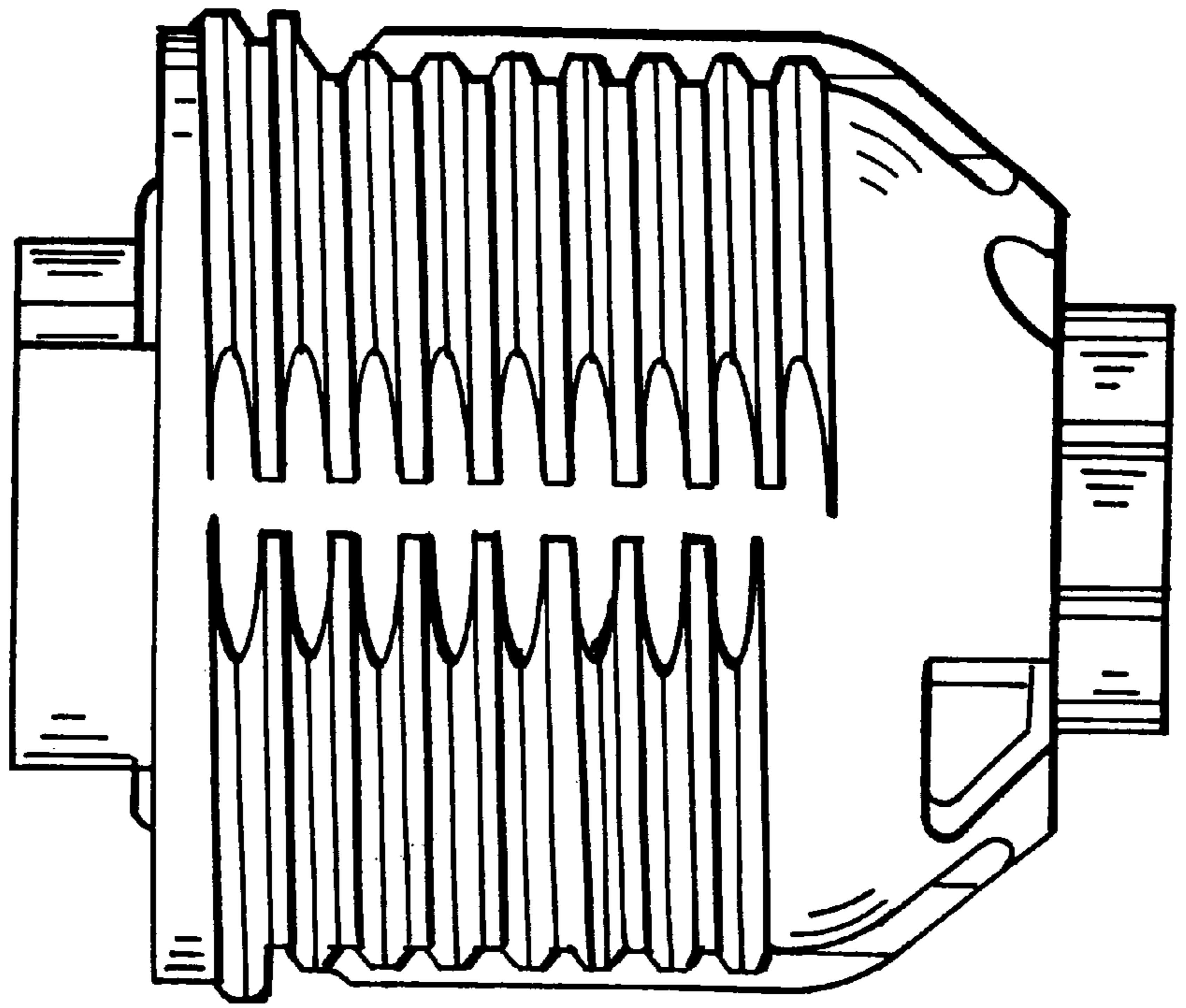


FIG. 6

