



US00D452839B1

(12) **United States Design Patent**
Muth et al.

(10) **Patent No.:** **US D452,839 S**

(45) **Date of Patent:** **** Jan. 8, 2002**

(54) **FRONT FACE OF A VEHICLE WHEEL**

(75) Inventors: **Hans A. Muth**, Kinsau; **Michael Schmidt**, Stuttgart, both of (DE)

(73) Assignee: **Bayerische Motoren Werke Aktiengesellschaft**, Munich (DE)

(**) Term: **14 Years**

(21) Appl. No.: **29/141,905**

(22) Filed: **May 16, 2001**

(30) **Foreign Application Priority Data**

Nov. 16, 2000 (DE) 400 10 998

(51) **LOC (7) Cl.** **12-16**

(52) **U.S. Cl.** **D12/209**

(58) **Field of Search** D12/204-211;
301/37.1, 64.1, 65

(56) **References Cited**

U.S. PATENT DOCUMENTS

D361,547 S	*	8/1995	Weld	D12/211
D370,883 S	*	6/1996	Bhambra	D12/209
D379,612 S	*	6/1997	Honarkhah	D12/209
D384,320 S	*	9/1997	Bhambra	D12/209
D391,543 S	*	3/1998	Renkert	D12/209
D396,681 S	*	8/1998	Boyer	D12/209
D396,682 S	*	8/1998	Sacco et al.	D12/209
D402,952 S	*	12/1998	Sycha	D12/211

D403,289 S	*	12/1998	Watanabe	D12/209
D407,680 S	*	4/1999	Bhambra	D12/209
D413,851 S	*	9/1999	Donikoglu	D12/209
D414,738 S	*	10/1999	Escue	D12/209
D416,532 S	*	11/1999	Cullen	D12/209
D420,637 S	*	2/2000	Glade	D12/209
D421,417 S	*	3/2000	Weidhase	D12/209
D422,258 S	*	4/2000	Hale, Jr.	D12/211
D426,184 S	*	6/2000	Goplen	D12/209
D431,516 S	*	10/2000	Kaucher	D12/209
D433,373 S	*	11/2000	Hussaini et al.	D12/209
D437,821 S	*	2/2001	Frohlich	D12/211
D438,503 S	*	3/2001	Syring	D12/211

* cited by examiner

Primary Examiner—Stacia Cadmus

(74) *Attorney, Agent, or Firm*—Crowell & Moring LLP

(57) **CLAIM**

The ornamental design for a front face of a vehicle wheel, as shown and described.

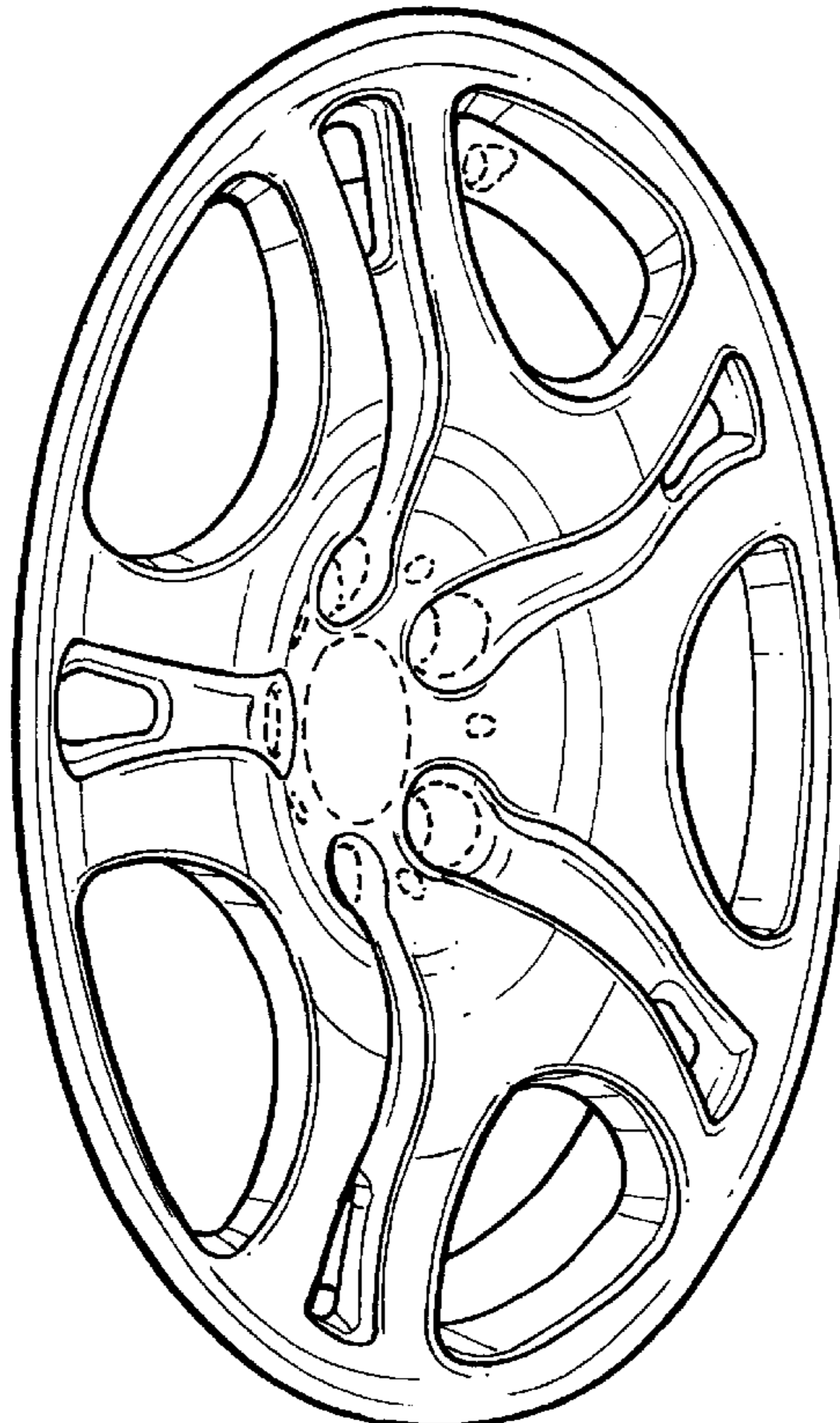
DESCRIPTION

FIG. 1 is a front view of a front face of a vehicle wheel according to our novel design; and,

FIG. 2 is a perspective view of the front face of a vehicle wheel according to our novel design.

The dash lines included depict environment and are not part of the claimed design.

1 Claim, 1 Drawing Sheet



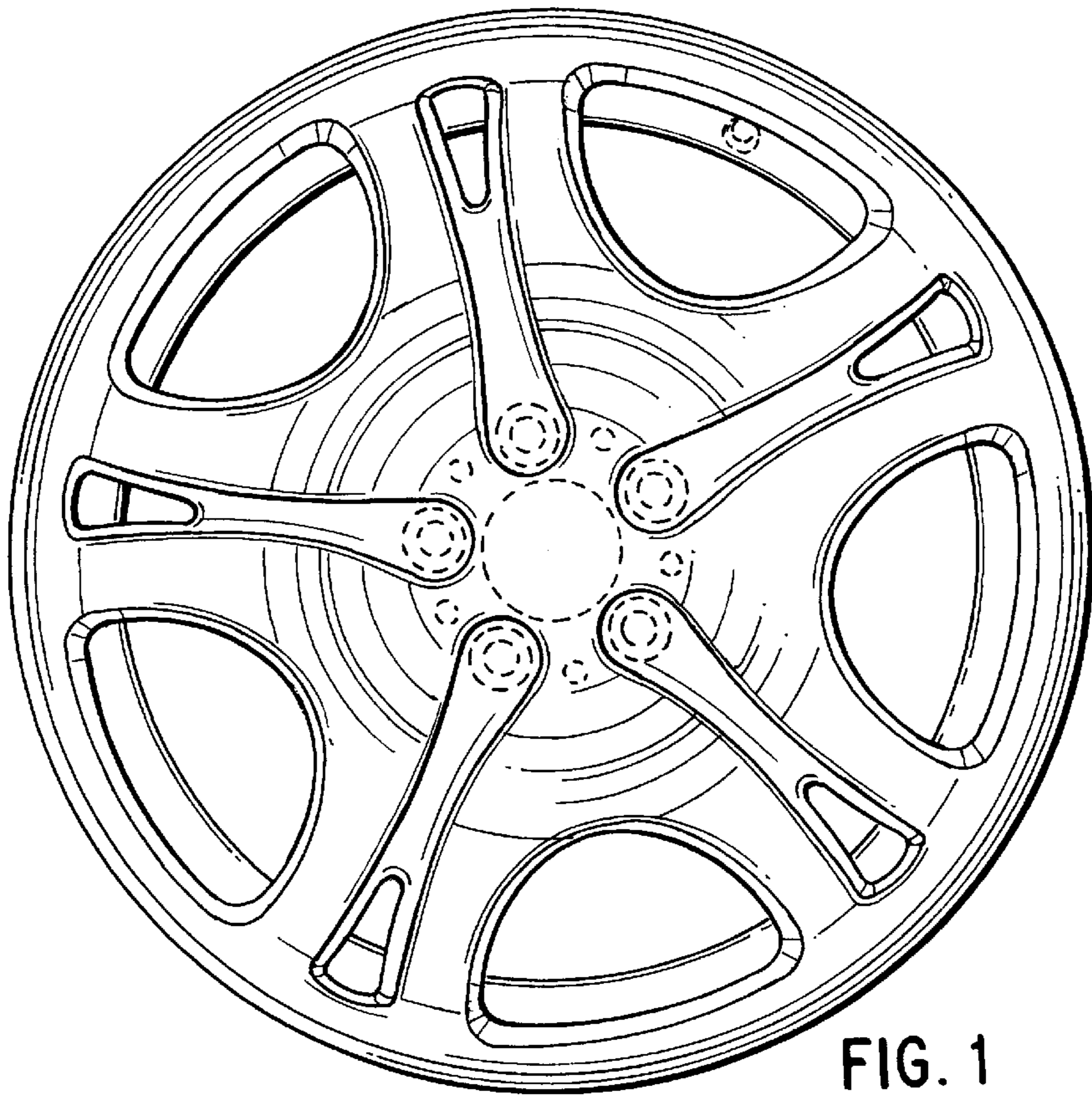


FIG. 1

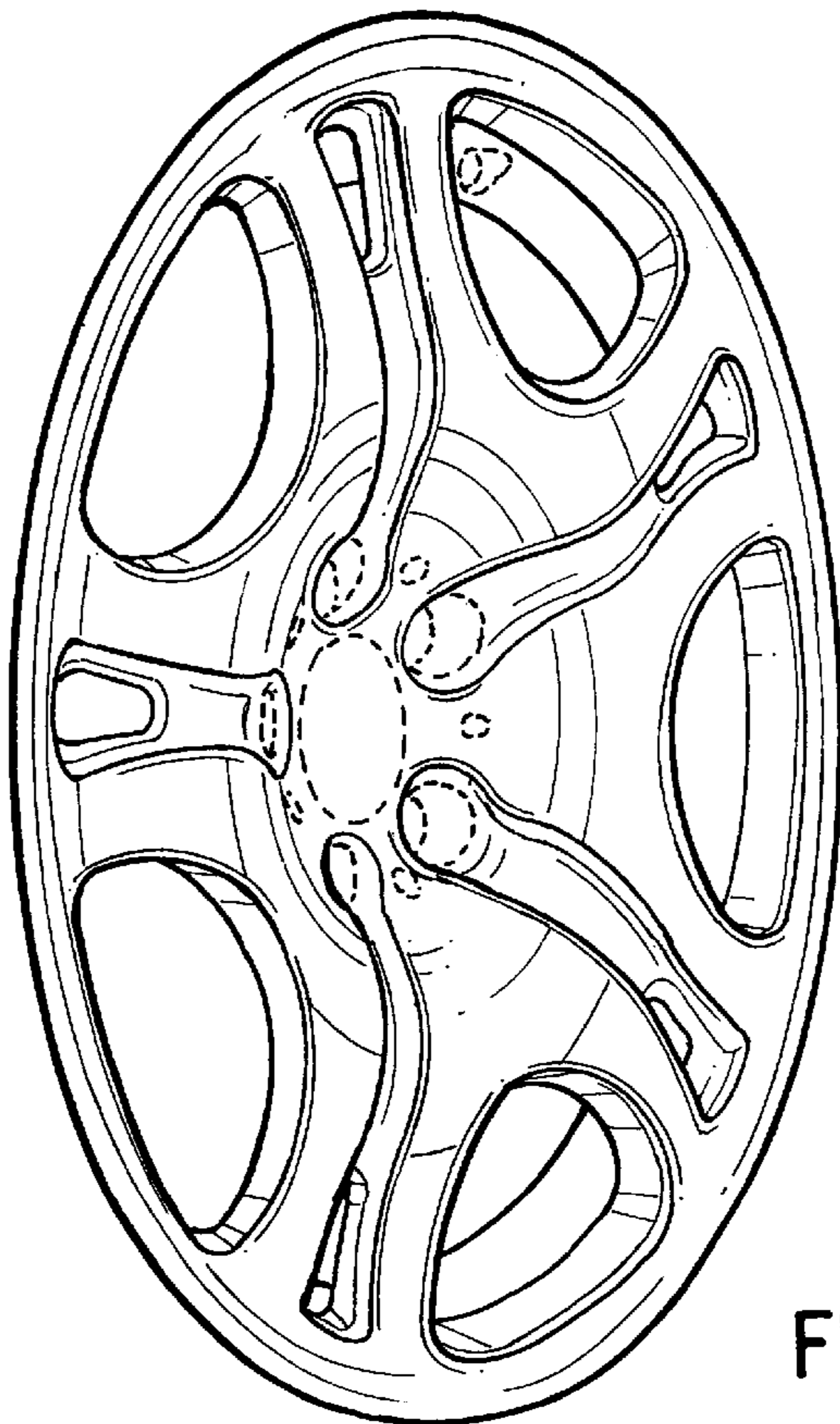


FIG. 2