



US00D452837B1

(12) **United States Design Patent**  
**Kitamura et al.**

(10) **Patent No.:** **US D452,837 S**  
(45) **Date of Patent:** **\*\* Jan. 8, 2002**

(54) **RADIATOR GRILL OF A MOTOR VEHICLE**

(75) Inventors: **Eiji Kitamura**, Hiroshima; **Tsuyoshi Toyoda**, Aki-gun, both of (JP)

(73) Assignee: **Mazda Motor Corporation**, Hiroshima-ken (JP)

(\*\*) Term: **14 Years**

(21) Appl. No.: **29/094,210**

(22) Filed: **Sep. 28, 1998**

(51) **LOC (7) Cl.** ..... **12-16**

(52) **U.S. Cl.** ..... **D12/163**

(58) **Field of Search** ..... D12/163, 90-92;  
180/68.1, 68.6, 69.21; 293/102, 115

(56) **References Cited**

**U.S. PATENT DOCUMENTS**

D422,456 S	*	4/2000	Toyoda	.....	D12/196
D422,547 S	*	4/2000	Kitamura et al.	.....	D12/196
D432,065 S	*	10/2000	Kitamura	.....	D12/196

**OTHER PUBLICATIONS**

International Design Bulletin No. DM/026,022, Published Dec. 3, 1992, Fiat Auto S.P.A. (3 pages).

\* cited by examiner

*Primary Examiner*—Melody N. Brown

(74) *Attorney, Agent, or Firm*—Sidley Austin Brown & Wood; Hugh A. Abrams

(57) **CLAIM**

The ornamental design for a radiator grill of a motor vehicle, as shown and described.

**DESCRIPTION**

FIG. 1 is a perspective view of a radiator grill of a motor vehicle;  
 FIG. 2 is a front view thereof;  
 FIG. 3 is a rear view thereof;  
 FIG. 4 is a top view thereof;  
 FIG. 5 is a bottom view thereof;  
 FIG. 6 is a left side view thereof;  
 FIG. 7 is a right side view thereof;  
 FIG. 8 is a sectional view taken along the line VIII-VIII in FIG. 2;  
 FIG. 9 is a perspective view of a second embodiment of a radiator grill of a motor vehicle;  
 FIG. 10 is a front view of FIG. 9;  
 FIG. 11 is a rear view of FIG. 9;  
 FIG. 12 is a top view of FIG. 9;  
 FIG. 13 is a bottom view of FIG. 9;  
 FIG. 14 is a left side view of FIG. 9;  
 FIG. 15 is a right side view of FIG. 9; and,  
 FIG. 16 is a sectional view taken along the line XVI-XVI in FIG. 10.

**1 Claim, 8 Drawing Sheets**

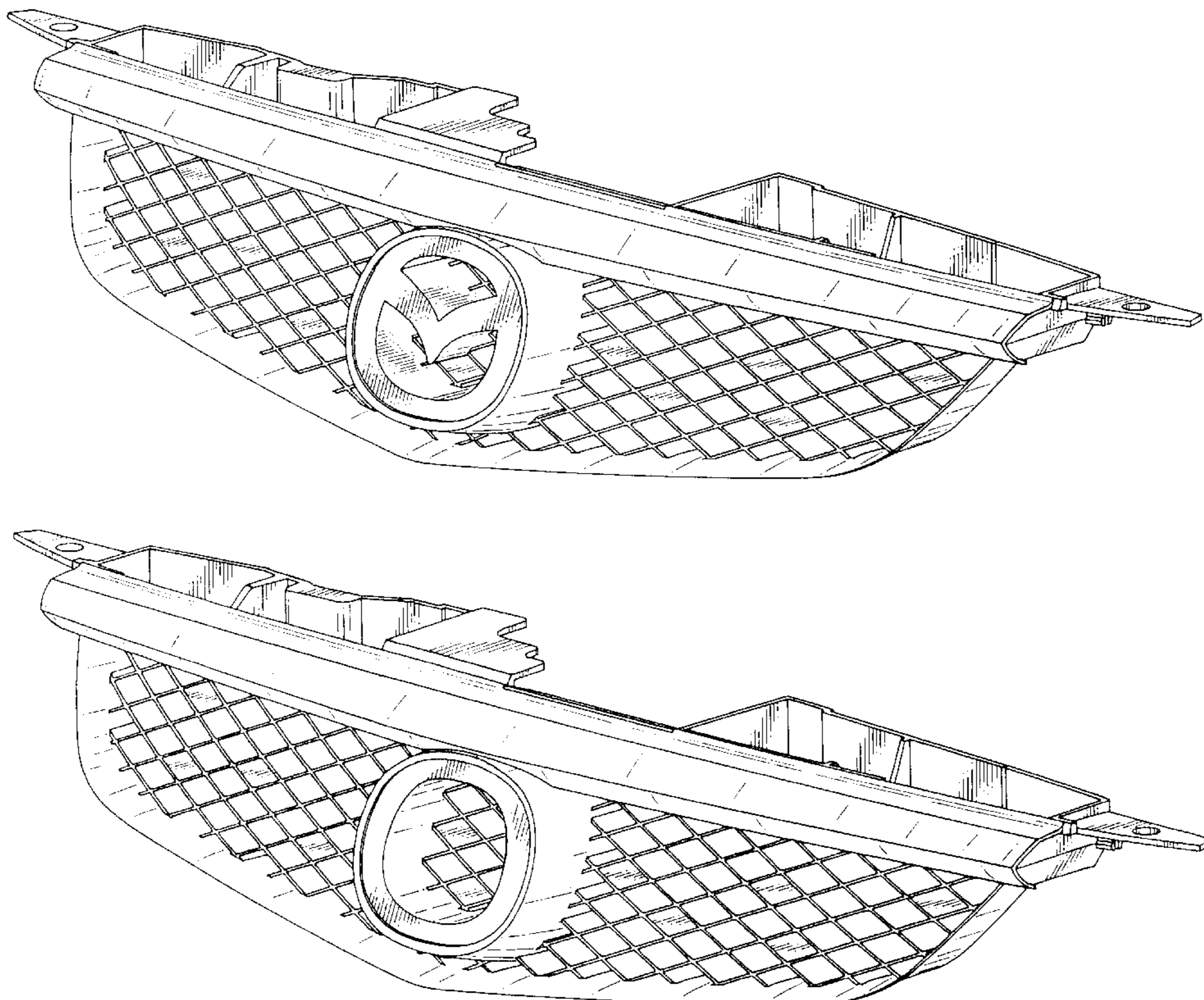


FIG. 1

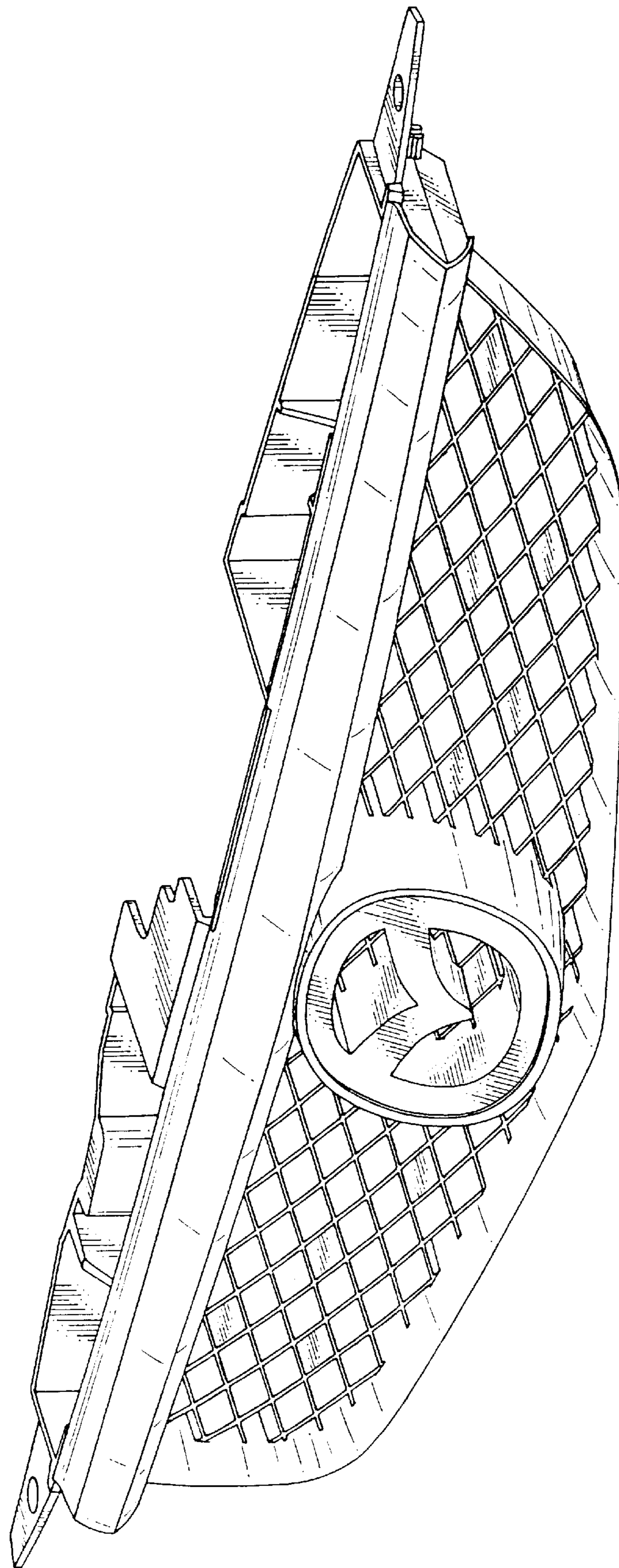


FIG. 2

VIII ←

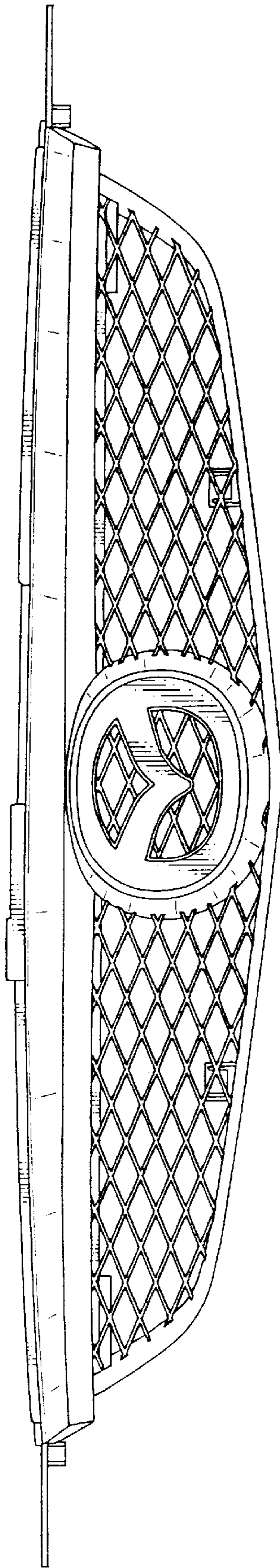


FIG. 3

VIII ←

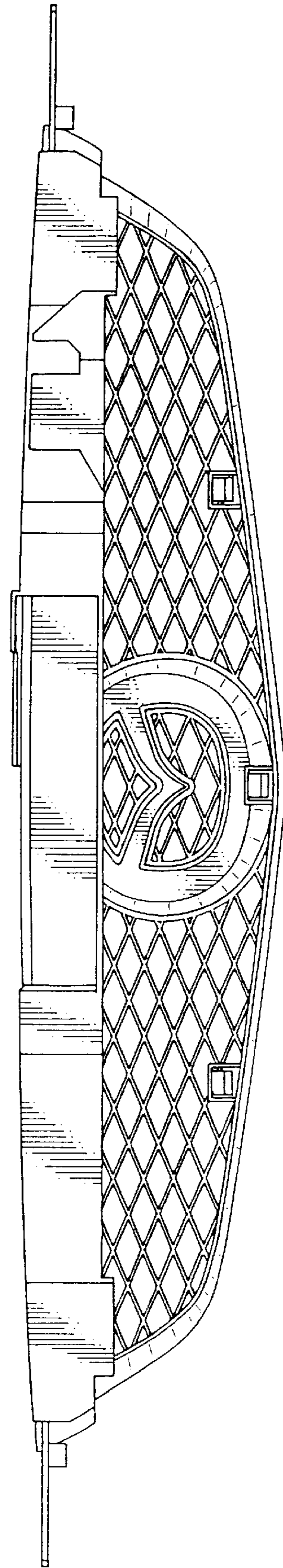


FIG. 4

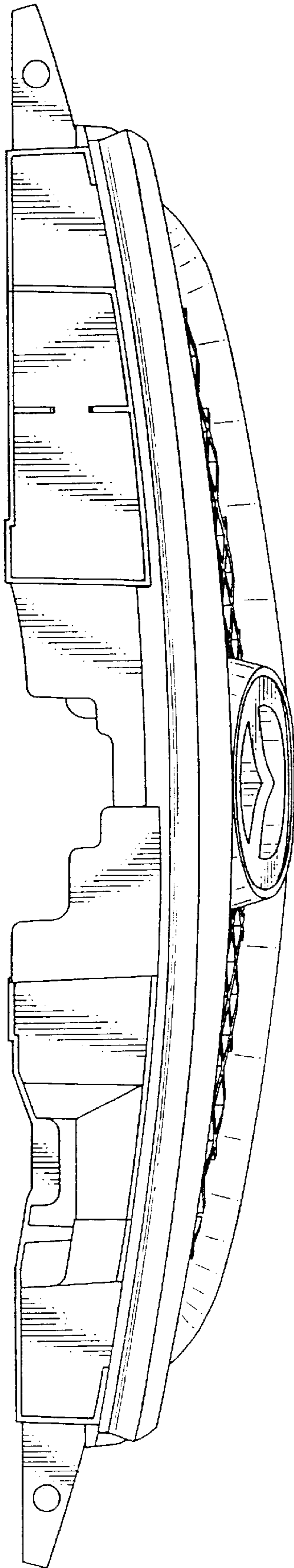


FIG. 5

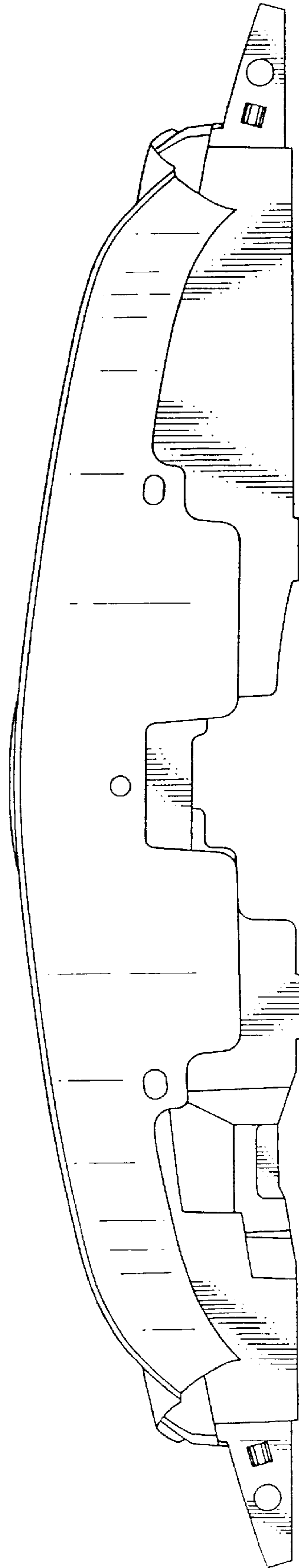


FIG. 8

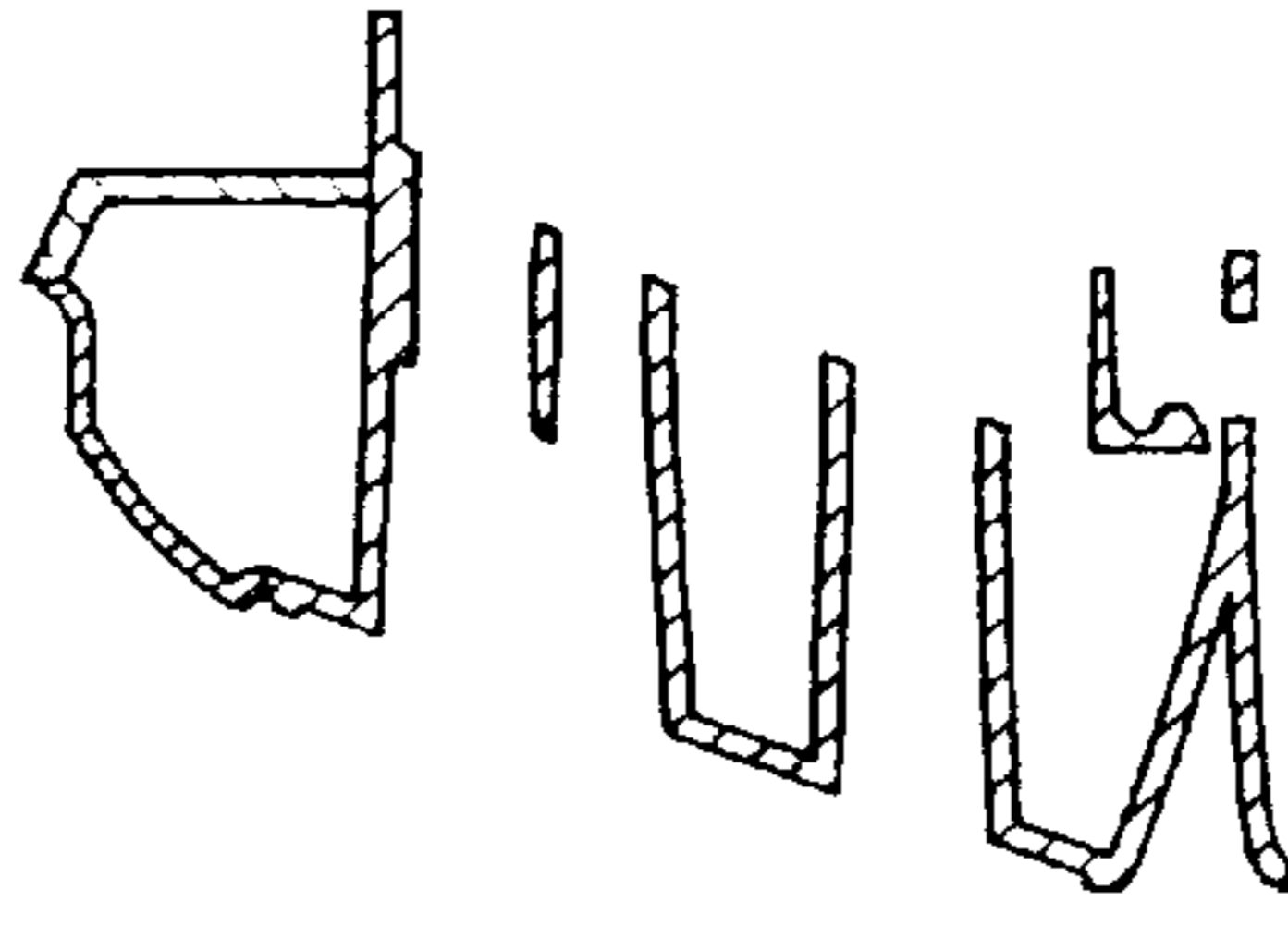


FIG. 7

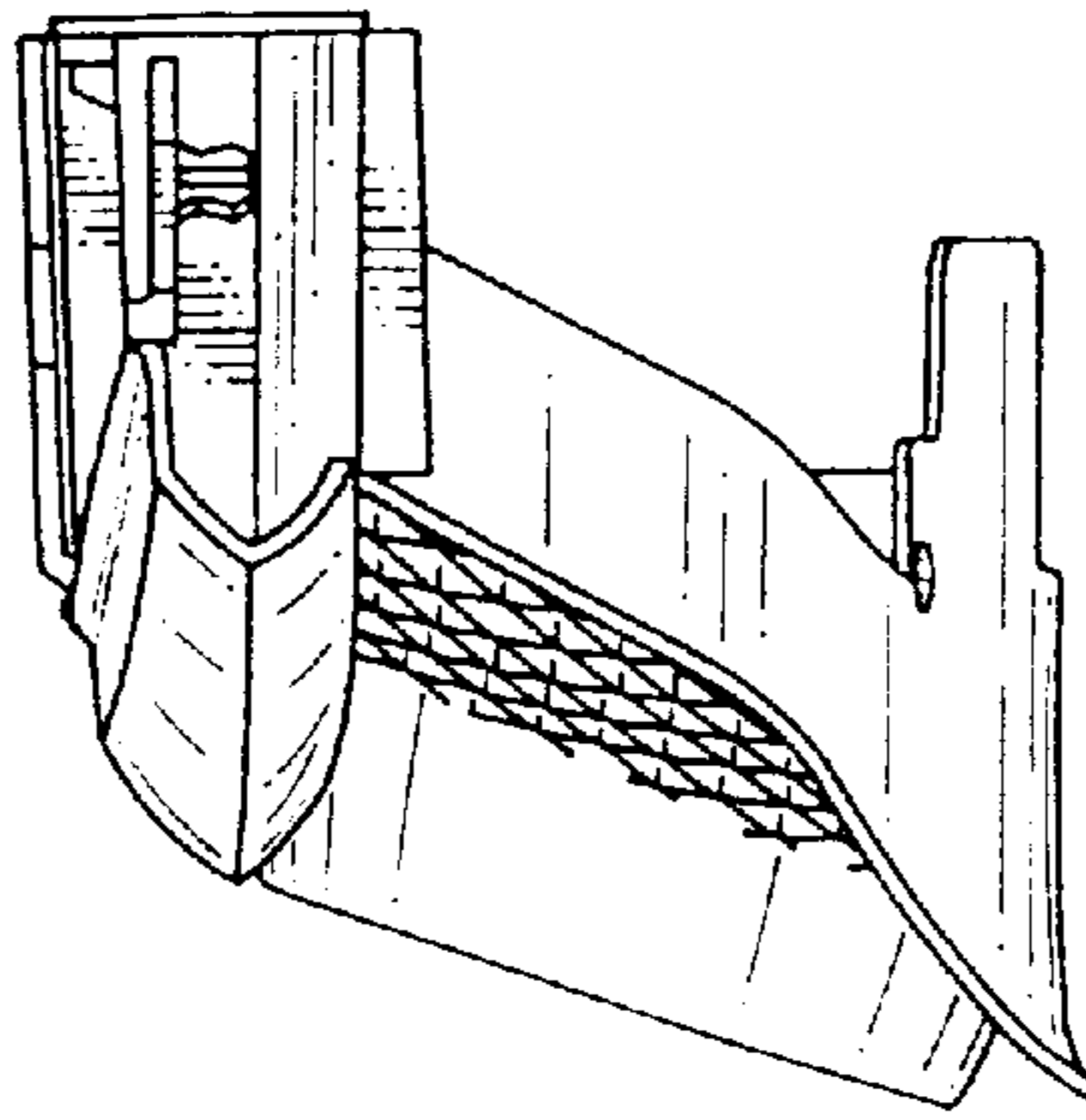


FIG. 6

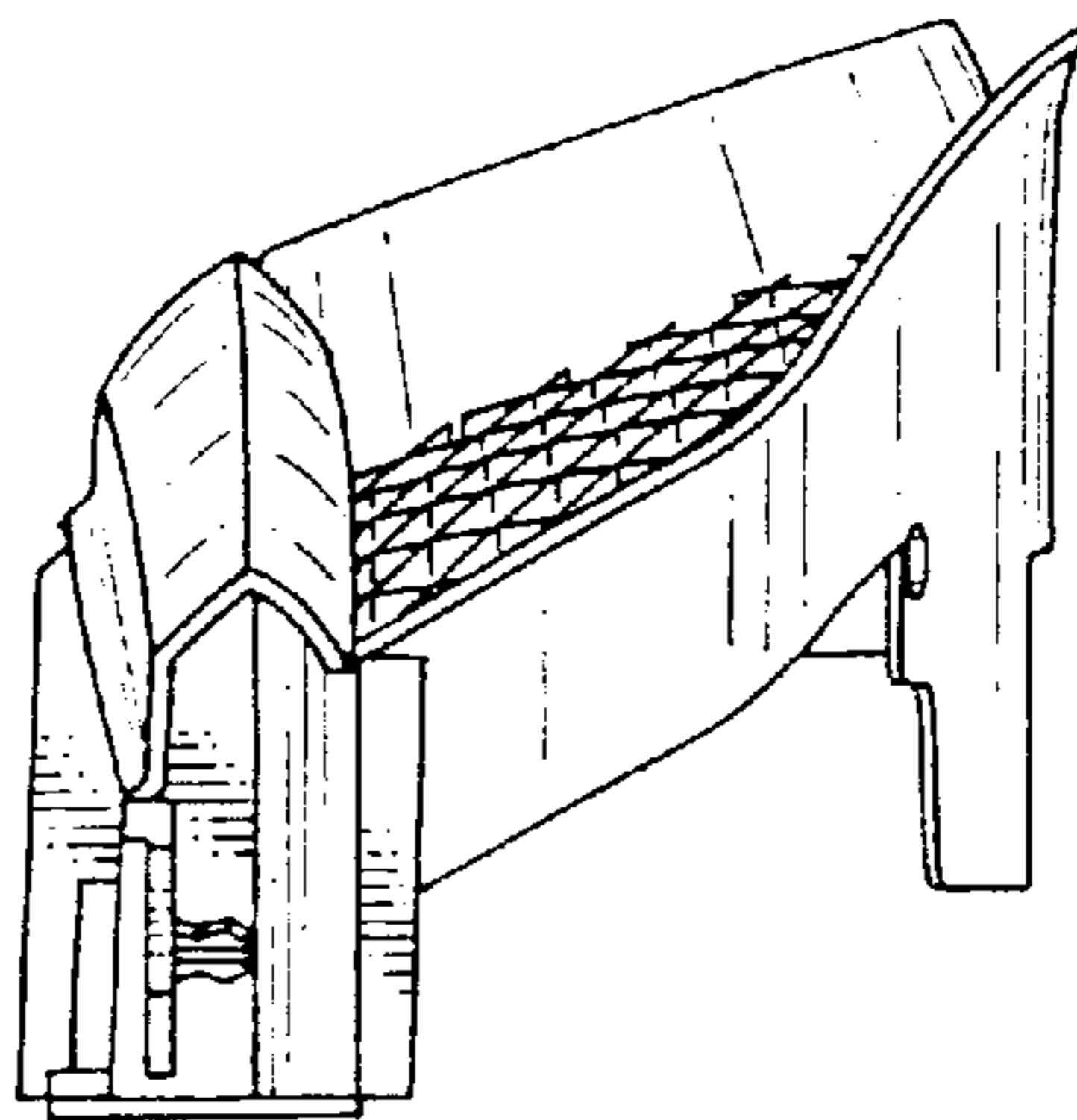


FIG. 9

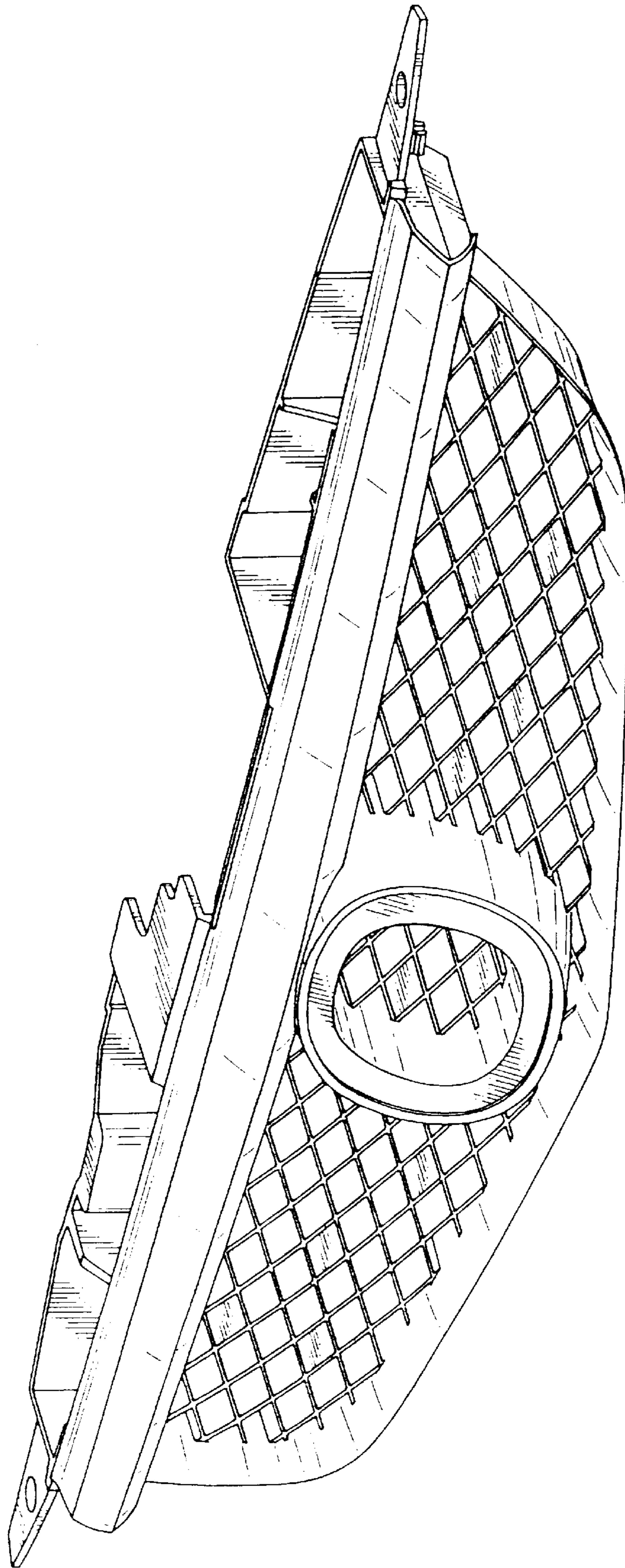


FIG. 10

XVI ↙

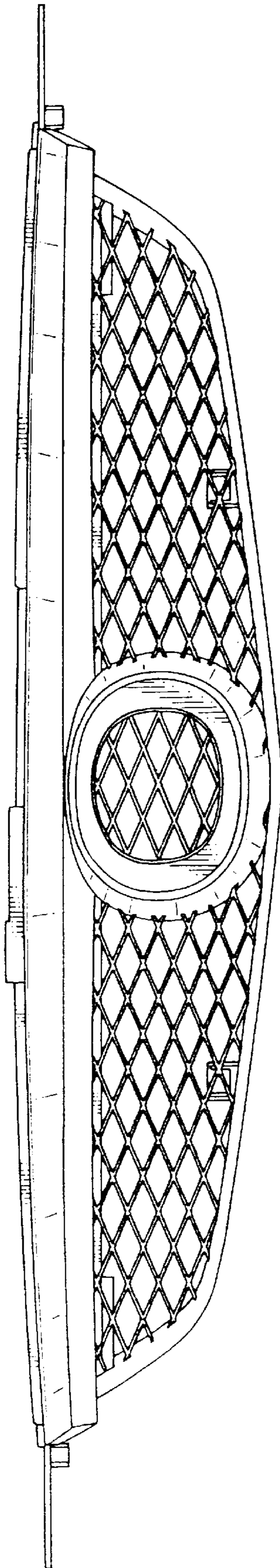


FIG. 11

XVI ↙

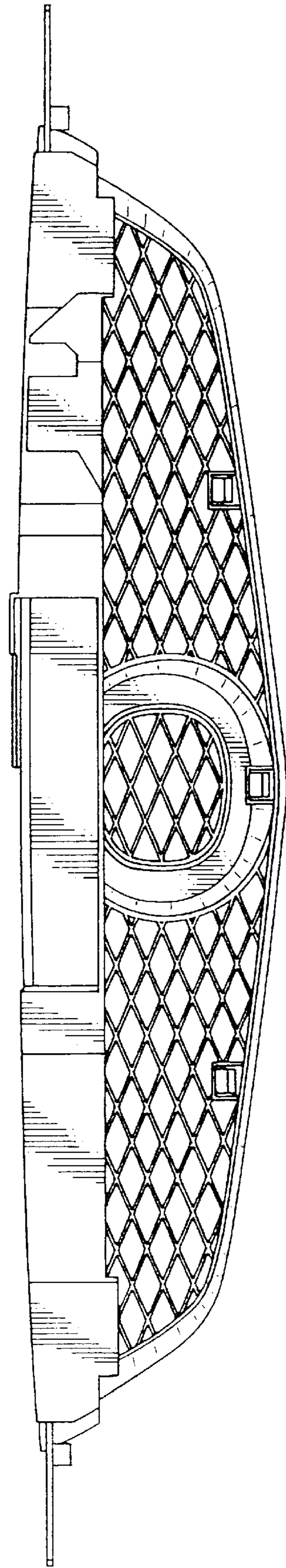


FIG. 12

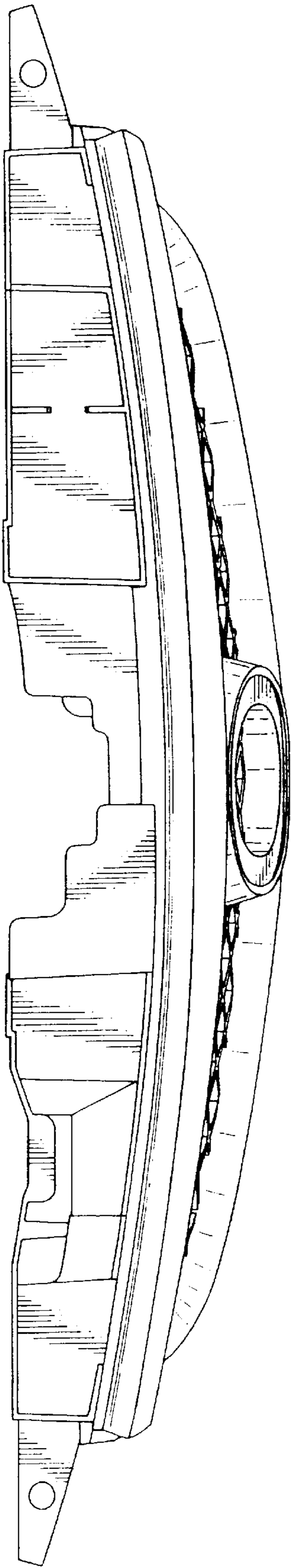


FIG. 13

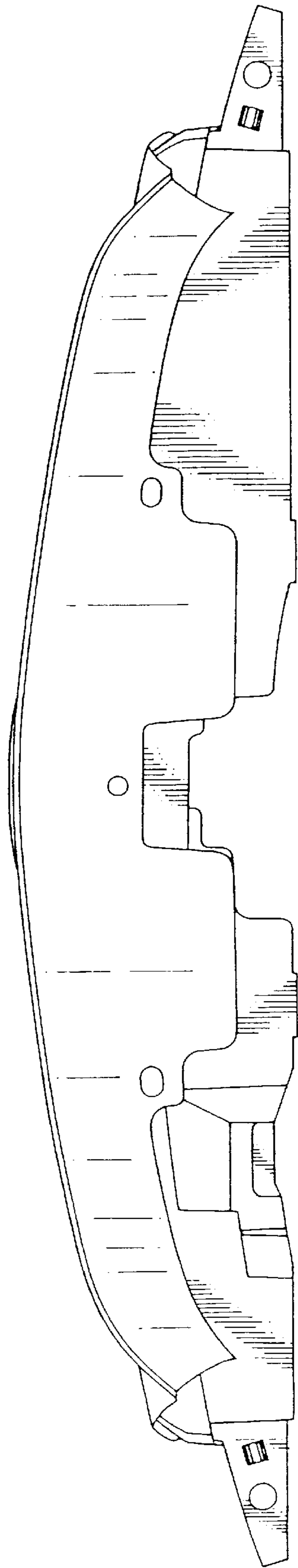




FIG. 16

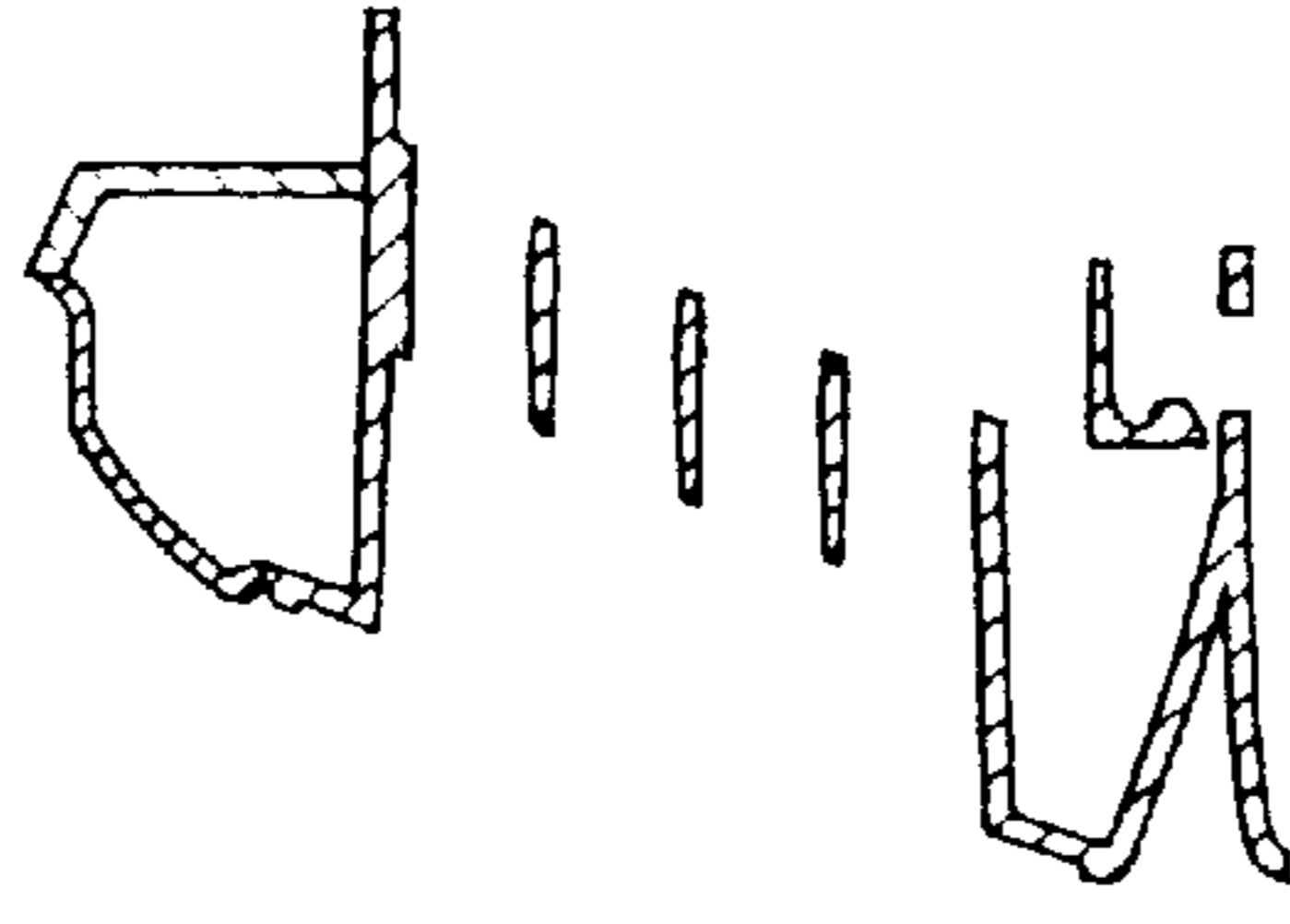


FIG. 15

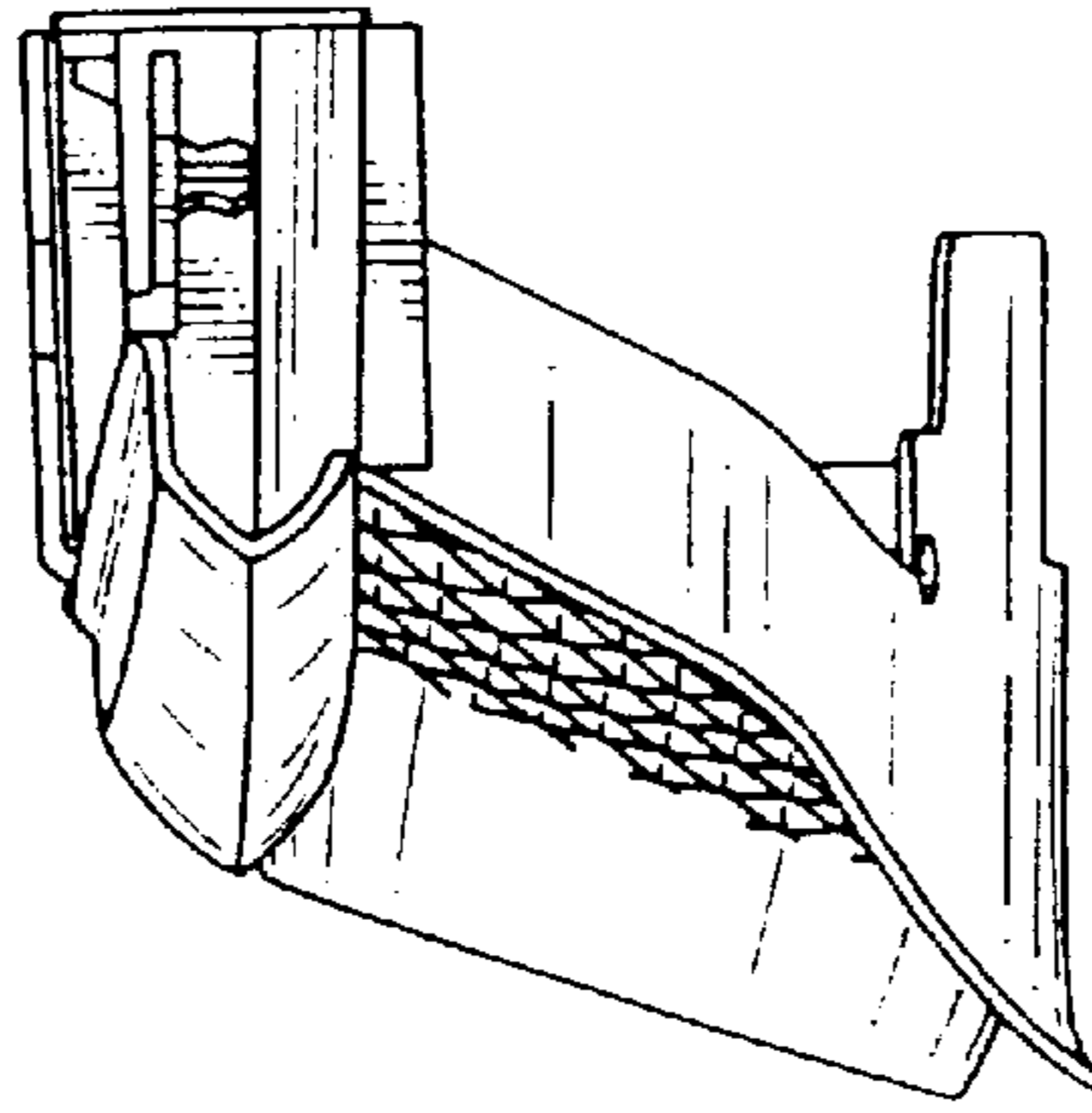


FIG. 14

