



US00D452834B1

(12) **United States Design Patent**
Ko

(10) **Patent No.:** **US D452,834 S**

(45) **Date of Patent:** **** Jan. 8, 2002**

(54) **BUCKLE**

(76) Inventor: **Wen-Hua Ko**, P.O. Box 697,
Feng-Yuan City 420 (TW)

(**) Term: **14 Years**

(21) Appl. No.: **29/142,500**

(22) Filed: **May 25, 2001**

(51) **LOC (7) Cl.** **02-07**

(52) **U.S. Cl.** **D11/216**

(58) **Field of Search** D11/230, 200-208,
D11/216, 220, 234; D8/383; 24/625, 631,
641, 616, 170, 171, 163 R, 69 ST, 69 CT,
633, 650

(56) **References Cited**

U.S. PATENT DOCUMENTS

3,496,615 A	*	2/1970	Krengel	24/650
3,542,426 A	*	11/1970	Radke	24/633
4,779,315 A	*	10/1988	Kohus	24/625
D348,236 S	*	6/1994	James	D11/200
D349,871 S	*	8/1994	Murai	D11/200
5,383,257 A	*	1/1995	Krauss	24/633
D360,390 S	*	7/1995	Murai	D11/216

5,548,879 A	*	8/1996	Wu	24/633
5,729,877 A	*	3/1998	Kong et al.	24/616
5,774,956 A	*	7/1998	French et al.	24/633
D422,895 S	*	4/2000	Yoshiguchi	D8/383
D424,977 S	*	5/2000	Anscher	D11/216
6,163,942 A	*	12/2000	Liao	24/625
D443,231 S	*	6/2001	Chen	D11/200
6,247,213 B1	*	6/2001	Uehara	24/625

* cited by examiner

Primary Examiner—Louis S. Zarfes

Assistant Examiner—Barbara Wyatt Crawford

(57) **CLAIM**

The ornamental design for a buckle, as shown.

DESCRIPTION

FIG. 1 is a perspective view of a buckle showing my new design;

FIG. 2 is a right side elevational view thereof;

FIG. 3 is a top plan view thereof;

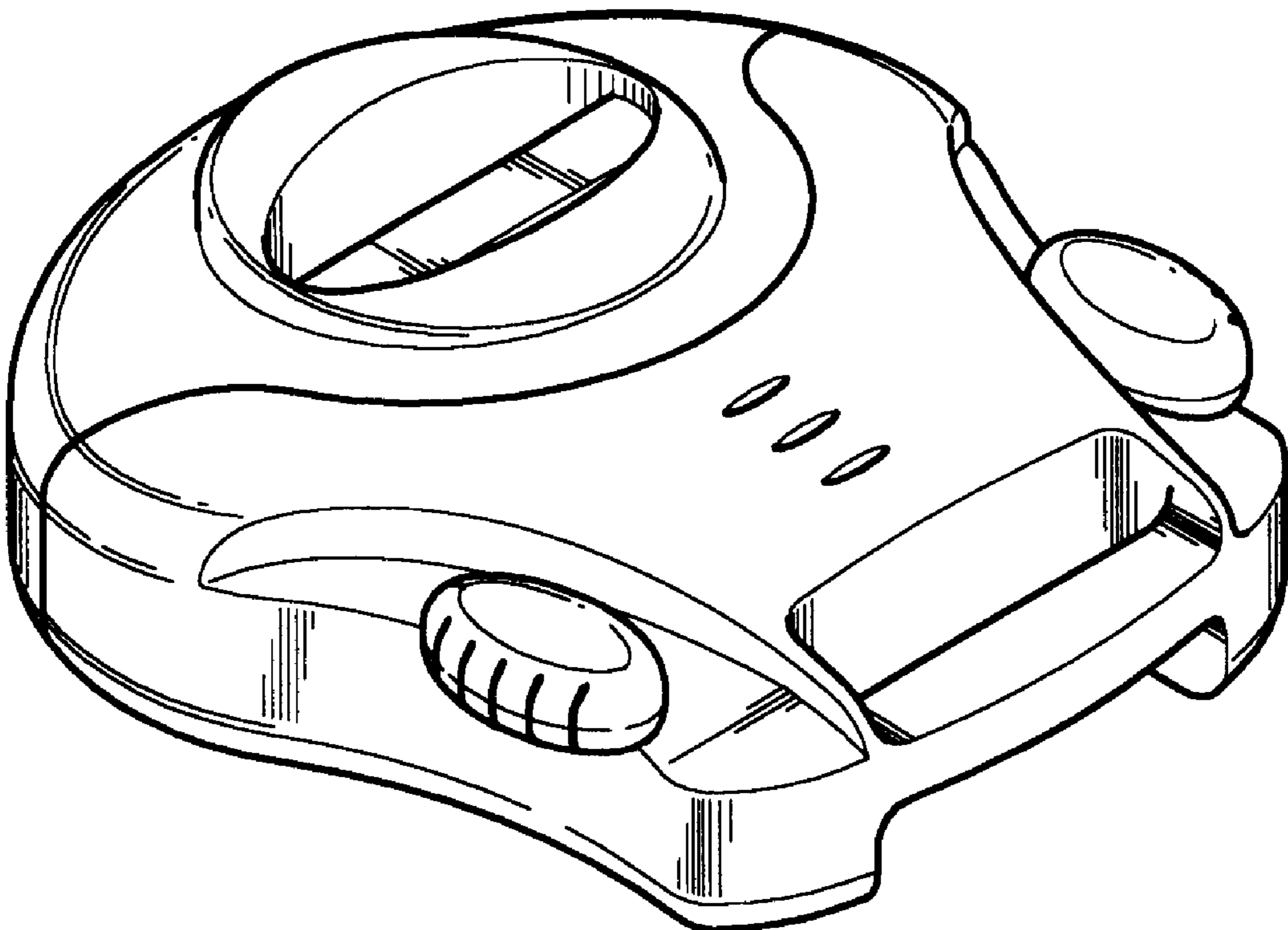
FIG. 4 is a front elevational view thereof;

FIG. 5 is a bottom plan view thereof;

FIG. 6 is a left side elevational view thereof; and,

FIG. 7 is a rear elevational view thereof.

1 Claim, 4 Drawing Sheets



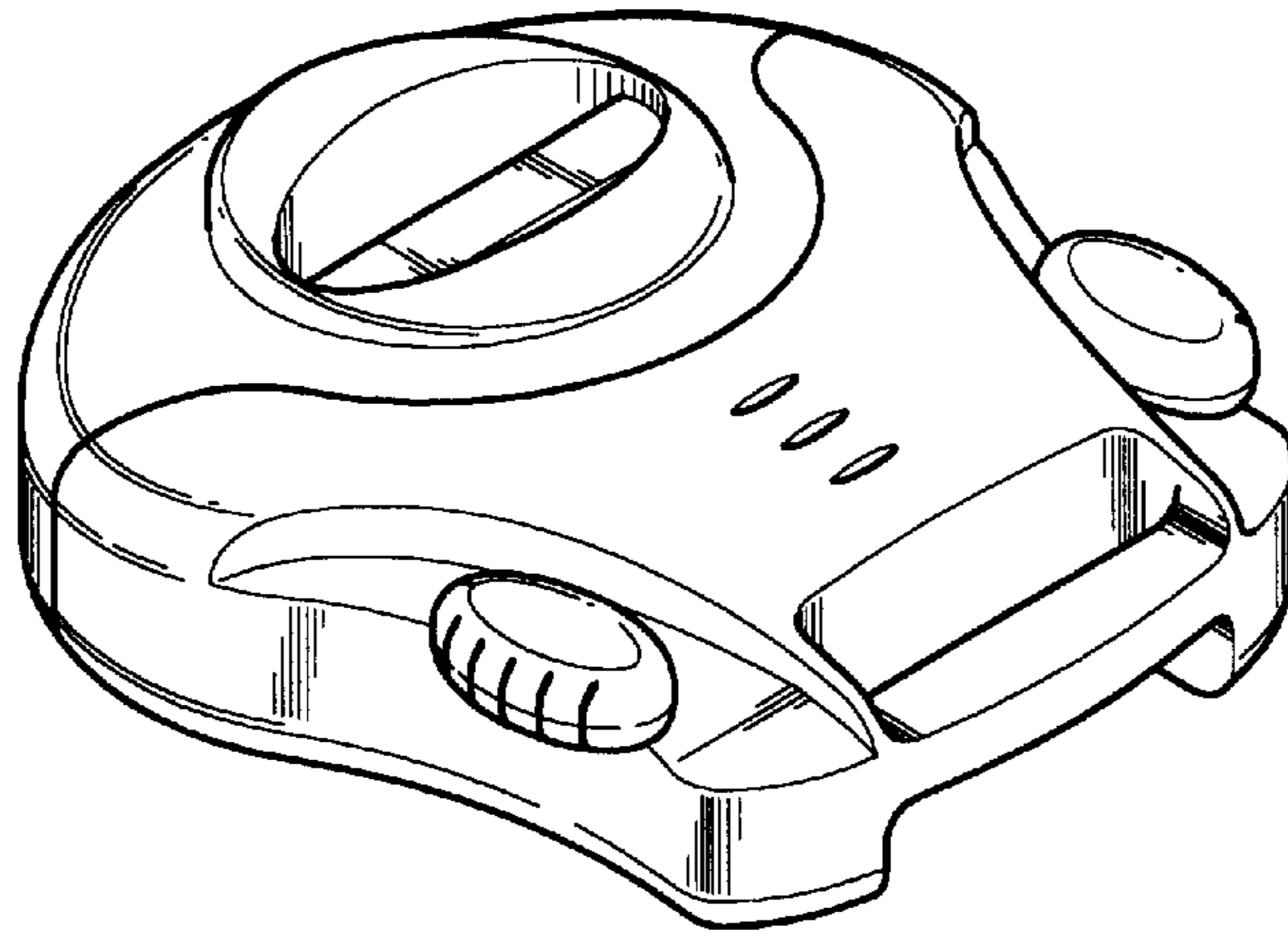


FIG. 1

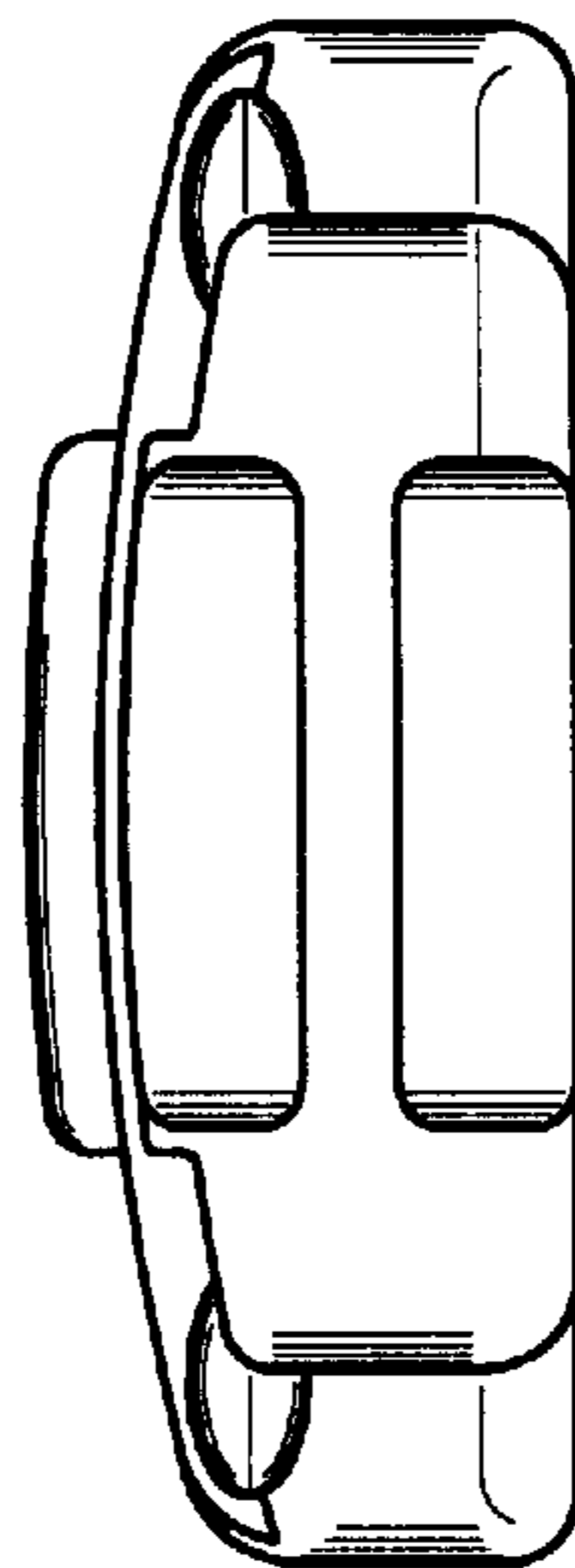


FIG. 2

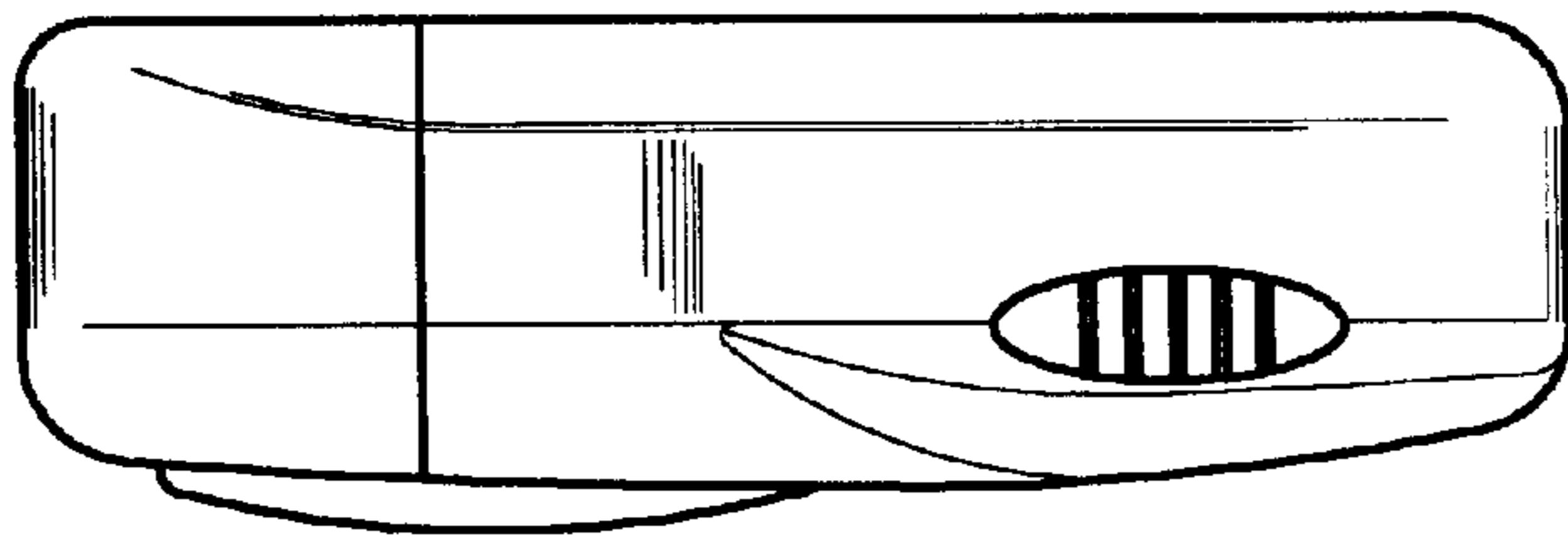


FIG. 3

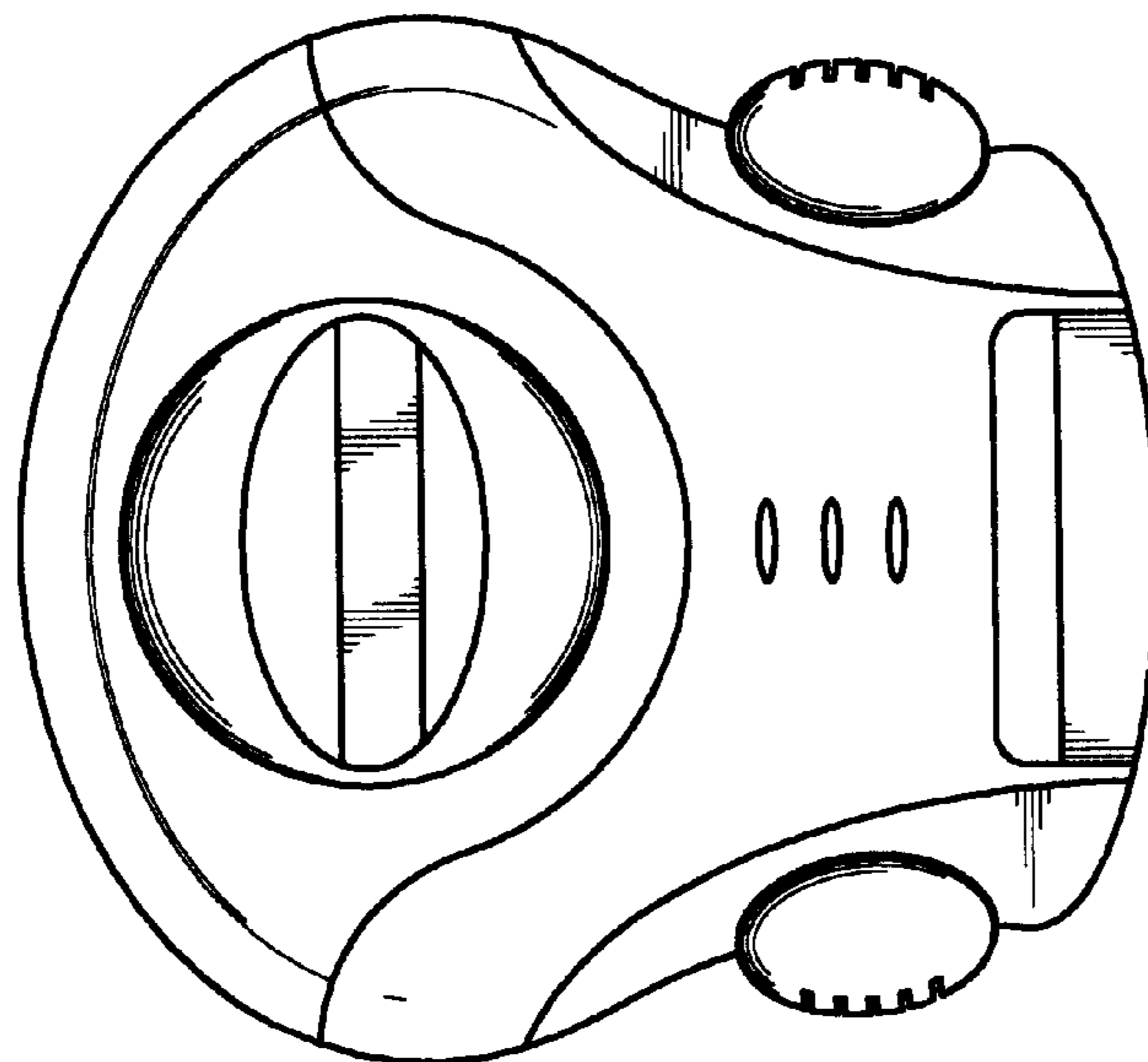


FIG. 4

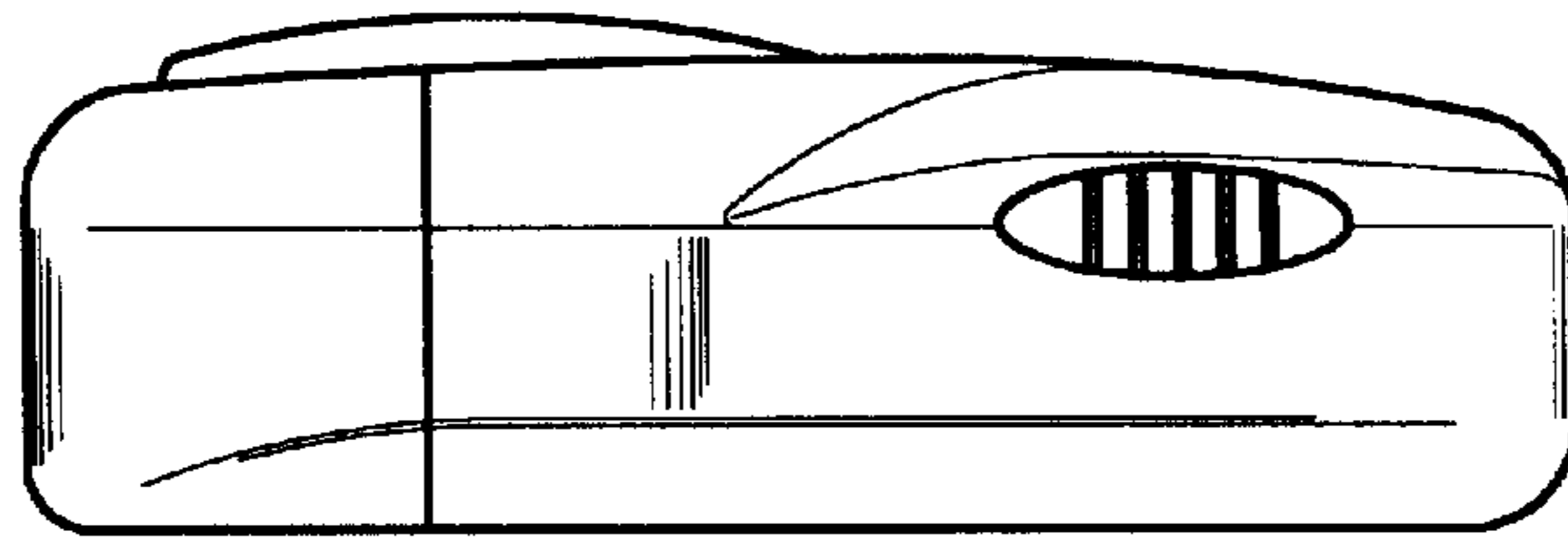


FIG. 5

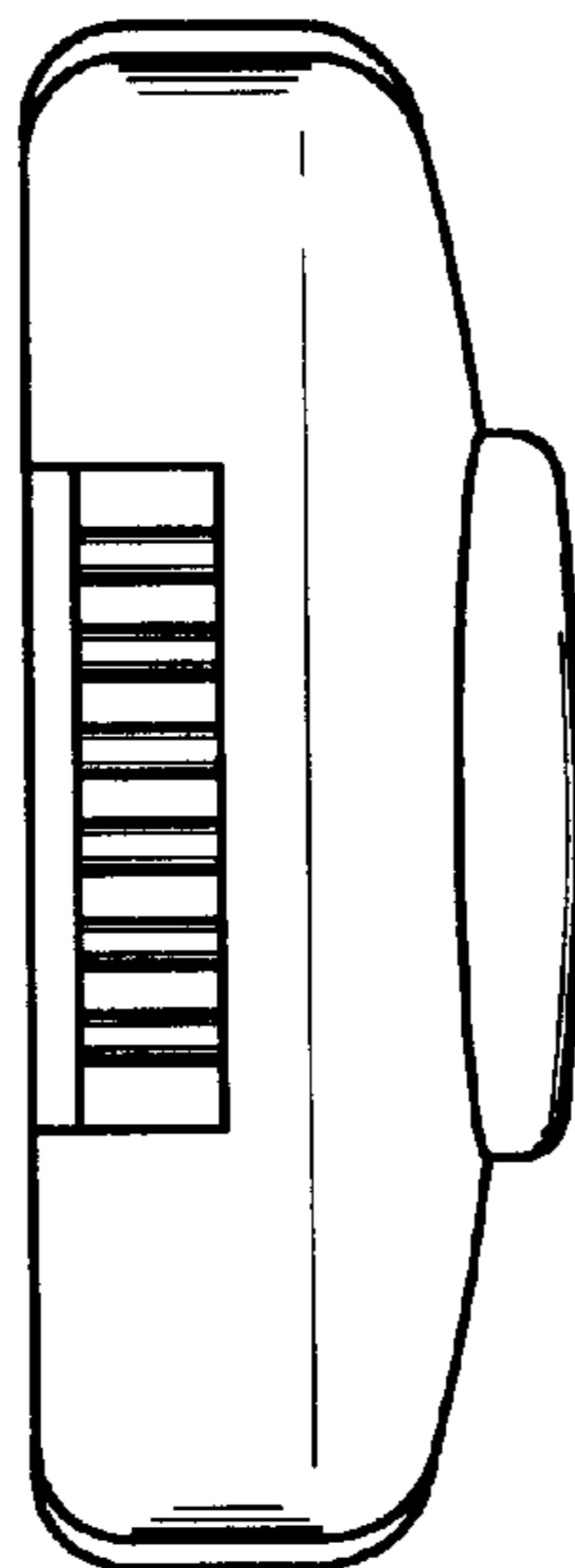


FIG. 6

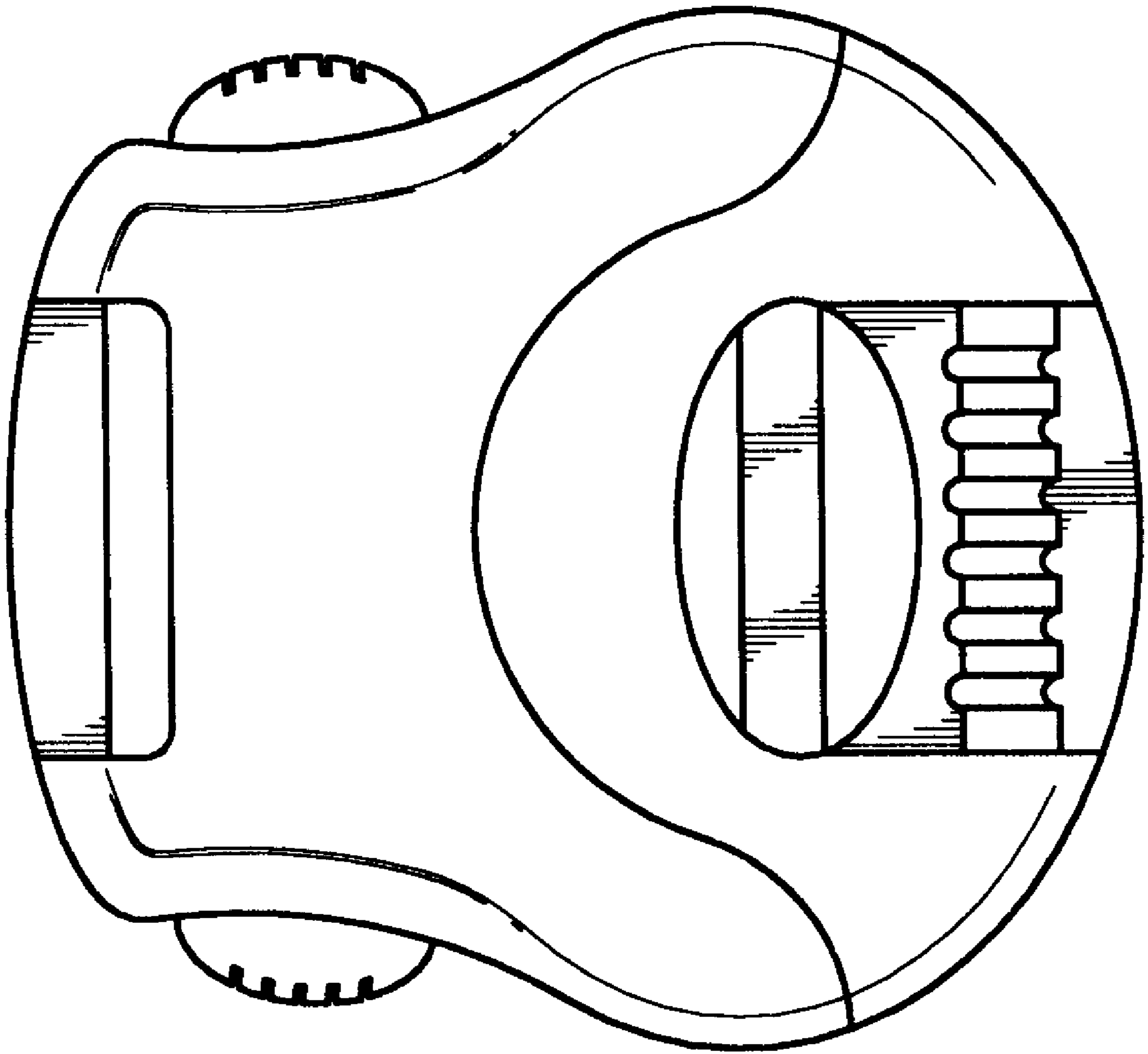


FIG. 7