



US00D452832B1

(12) **United States Design Patent**
Kobayashi

(10) **Patent No.:** **US D452,832 S**
(45) **Date of Patent:** **** Jan. 8, 2002**

(54) **STEP COUNTER**

(75) Inventor: **Jiro Kobayashi**, Kadoma (JP)
(73) Assignee: **Matsushita Electric Works, Ltd.** (JP)
(**) Term: **14 Years**

(21) Appl. No.: **29/133,187**
(22) Filed: **Nov. 27, 2000**

(51) **LOC (7) Cl.** **10-04**
(52) **U.S. Cl.** **D10/97**
(58) **Field of Search** D10/97, 65, 70;
482/4, 7, 8, 9, 23, 78, 909, 910; 446/28,
236, 242, 265, 397, 404

(56) **References Cited**

U.S. PATENT DOCUMENTS

D276,509 S * 11/1984 Ito et al. D10/97
D375,695 S * 11/1996 Narai D10/97

OTHER PUBLICATIONS

Japanese Catalog: National 2000 p. 43.

* cited by examiner

Primary Examiner—Antoine Duval Davis

(74) *Attorney, Agent, or Firm*—Burns, Doane, Swecker & Mathis, LLP

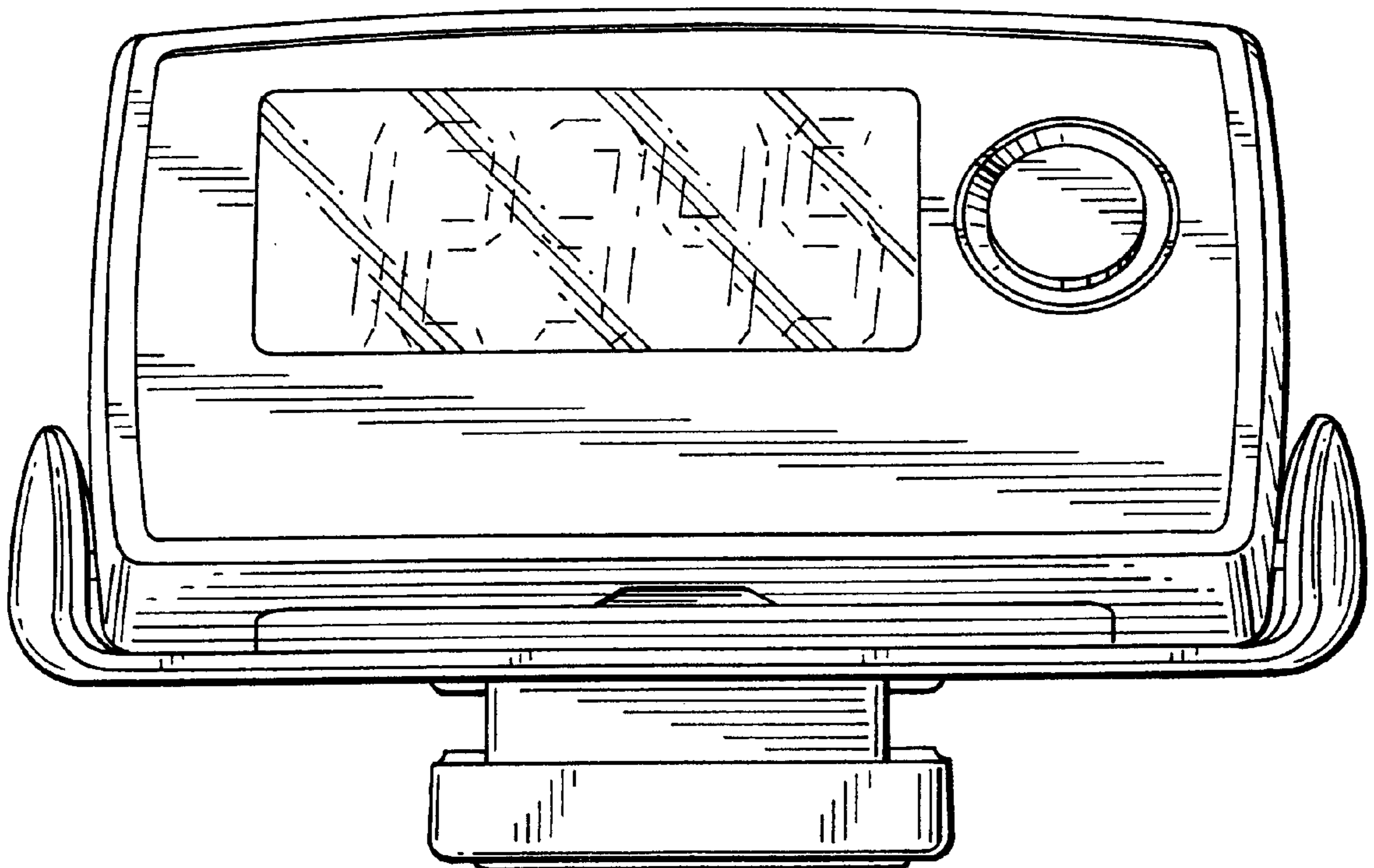
(57) **CLAIM**

The ornamental design for a step counter, substantially as shown and described.

DESCRIPTION

FIG. 1 is a front view of a step counter embodying my design;
FIG. 2 is a top plan view thereof;
FIG. 3 is a right side elevational view thereof;
FIG. 4 is a rear view thereof;
FIG. 5 is a bottom plan view thereof;
FIG. 6 is a left side elevational view thereof;
FIG. 7 is a front view thereof showing the state not in use;
FIG. 8 is a top plan view thereof showing the state not in use;
FIG. 9 is a right side elevational view thereof showing the state not in use;
FIG. 10 is a rear view thereof showing the state not in use;
FIG. 11 is a bottom plan view thereof showing the state not in use;
FIG. 12 is a left side elevational view thereof showing the state not in use;
FIG. 13 is a perspective view thereof; and,
FIG. 14 is a perspective view thereof showing the state not in use.

1 Claim, 9 Drawing Sheets



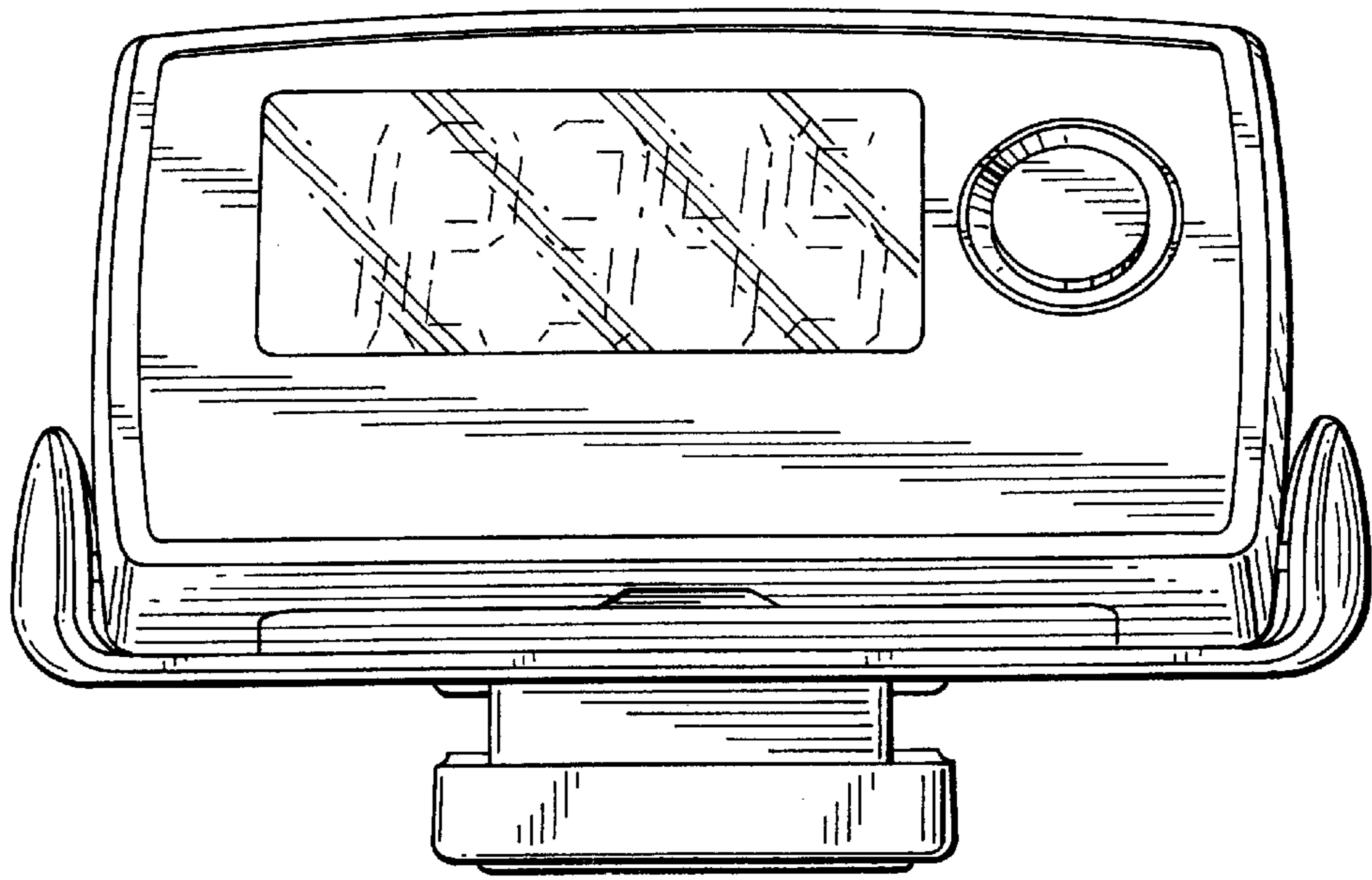


FIG. 1

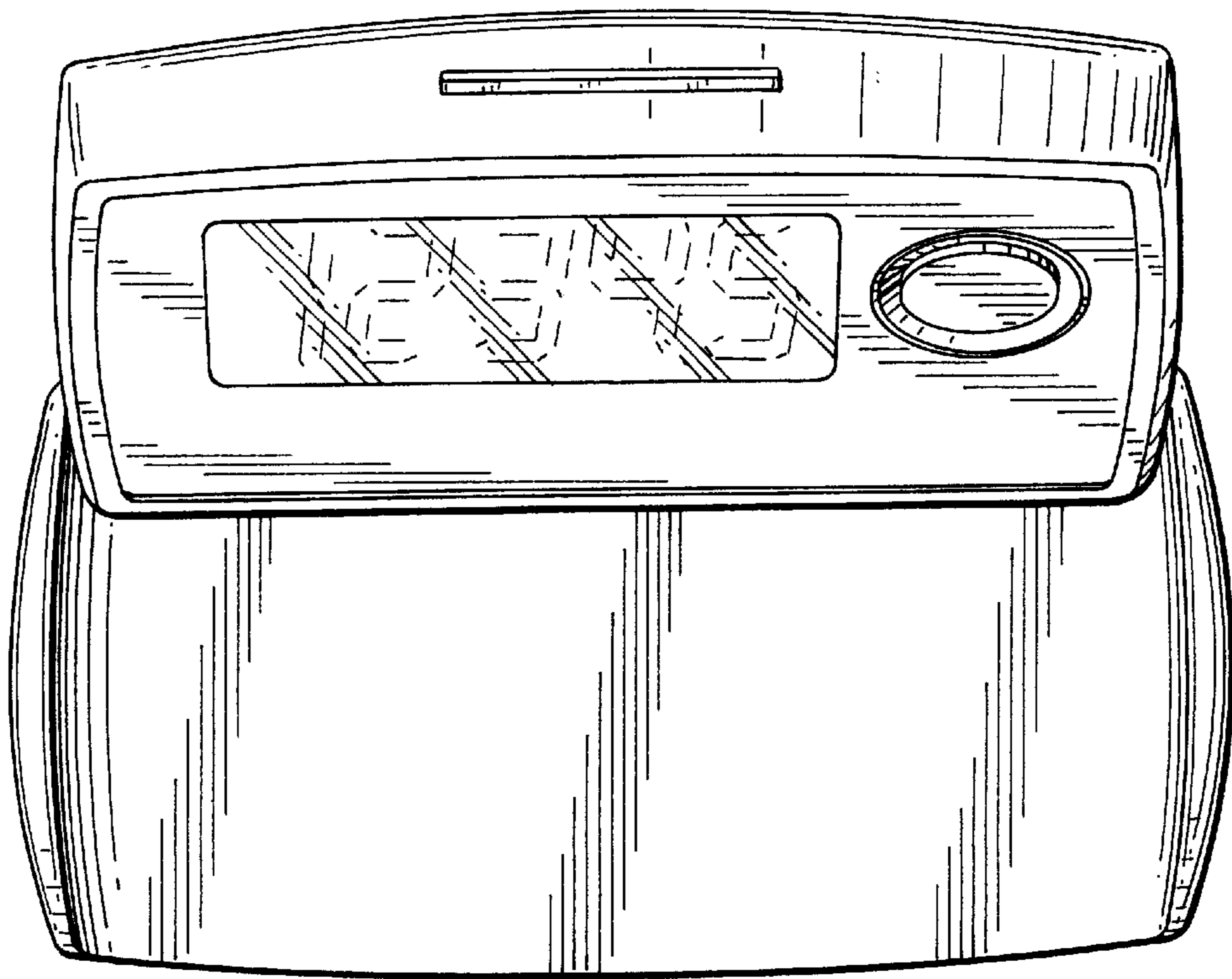


FIG. 2

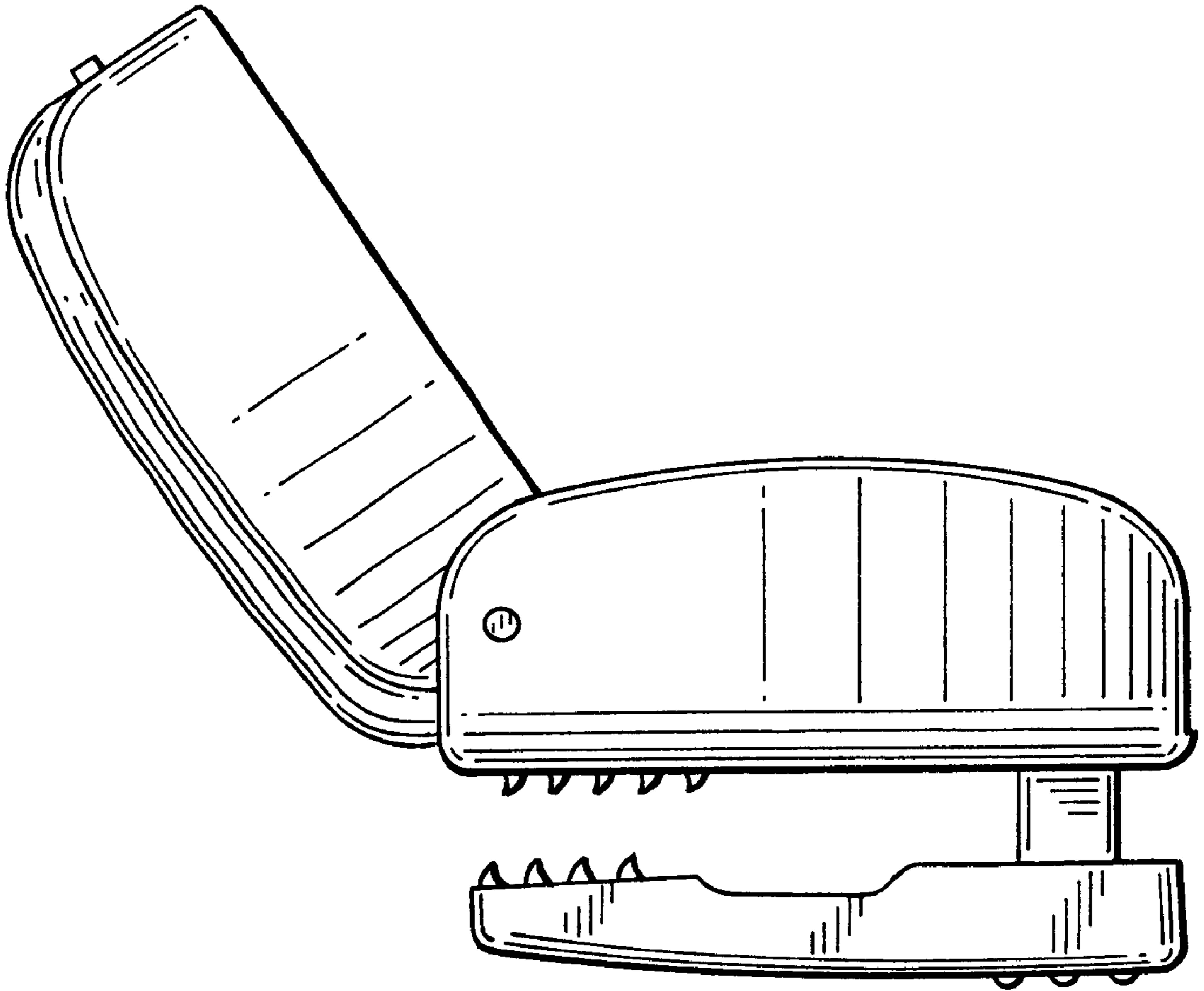


FIG. 3

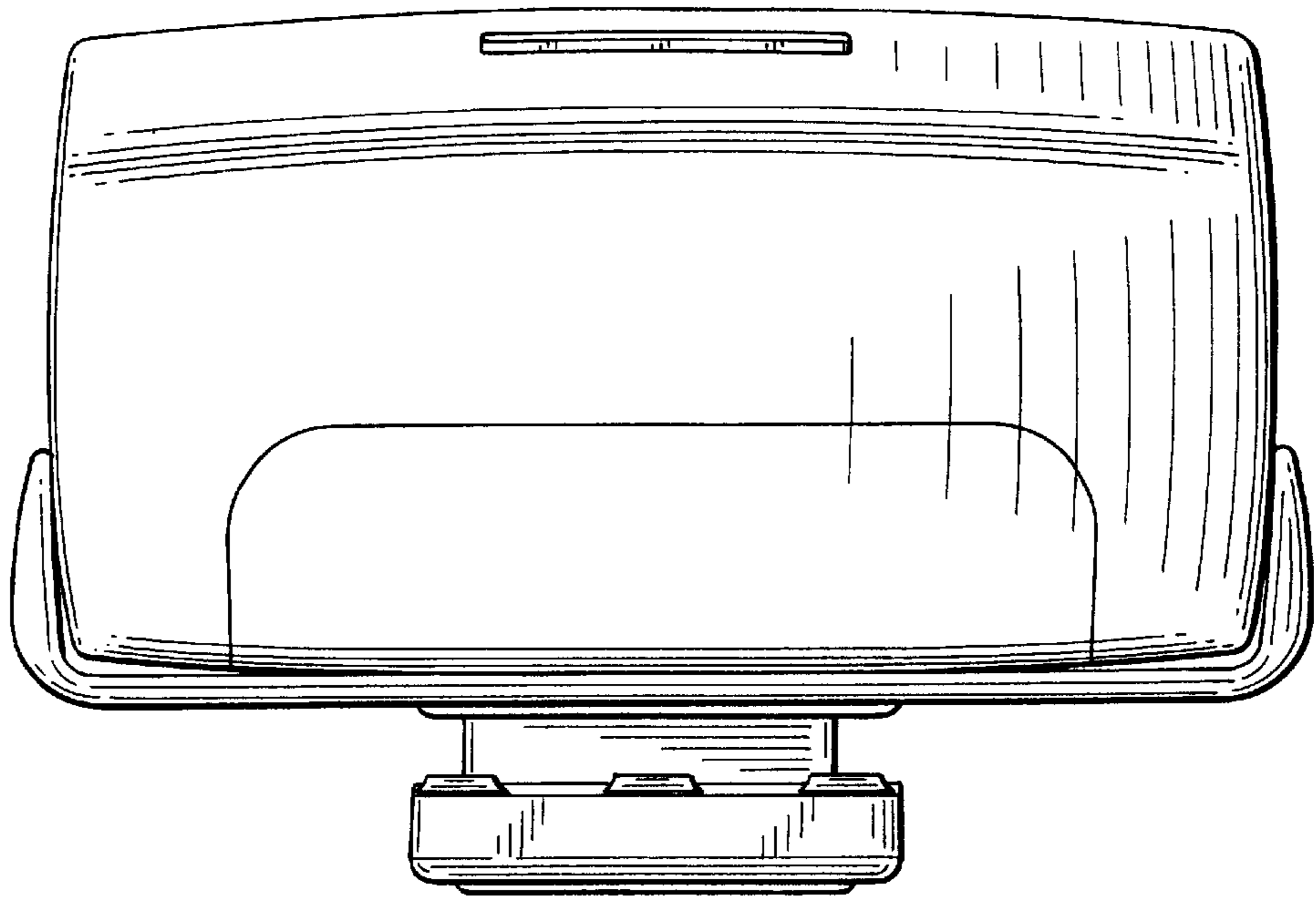


FIG. 4

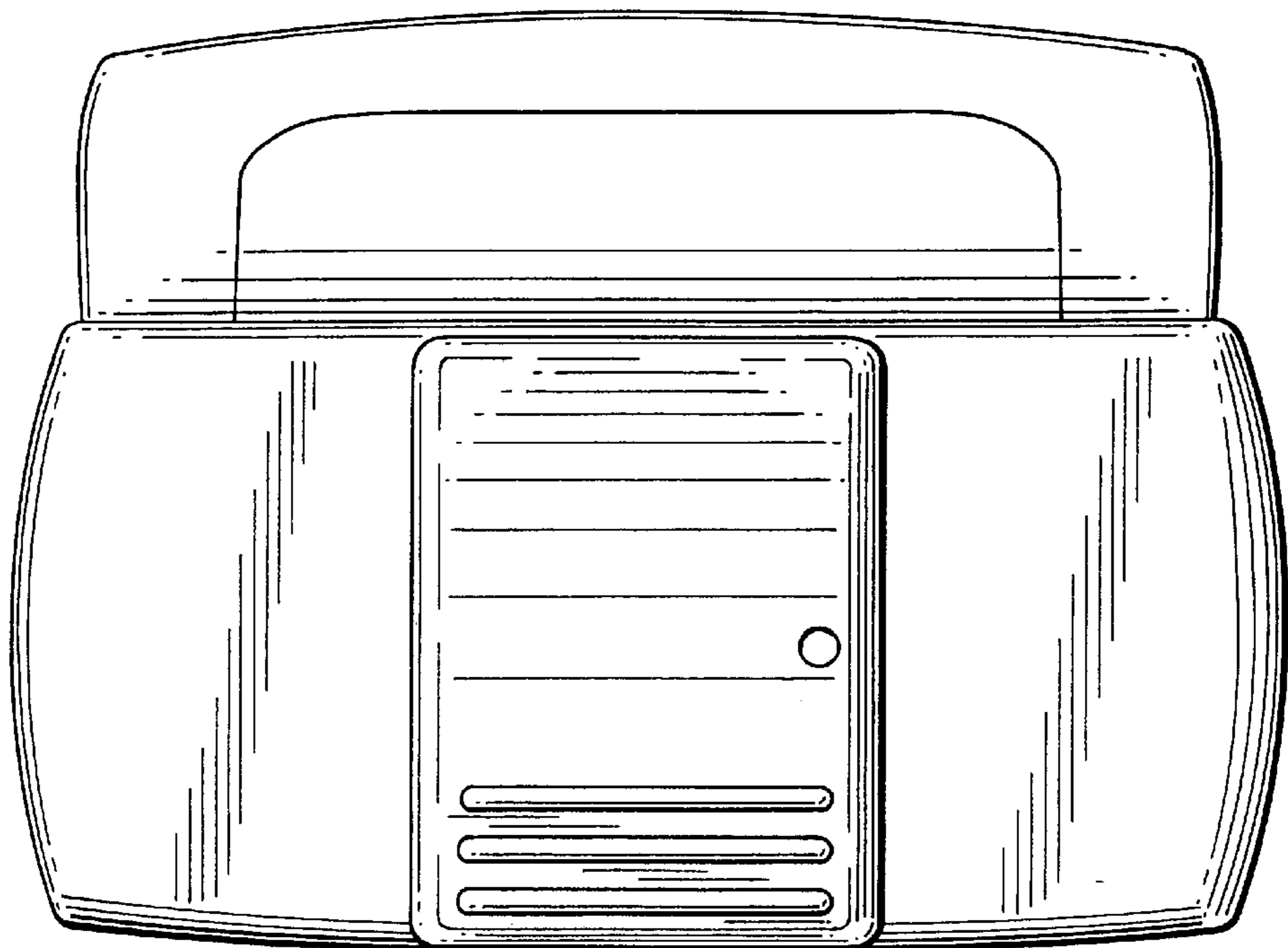


FIG. 5

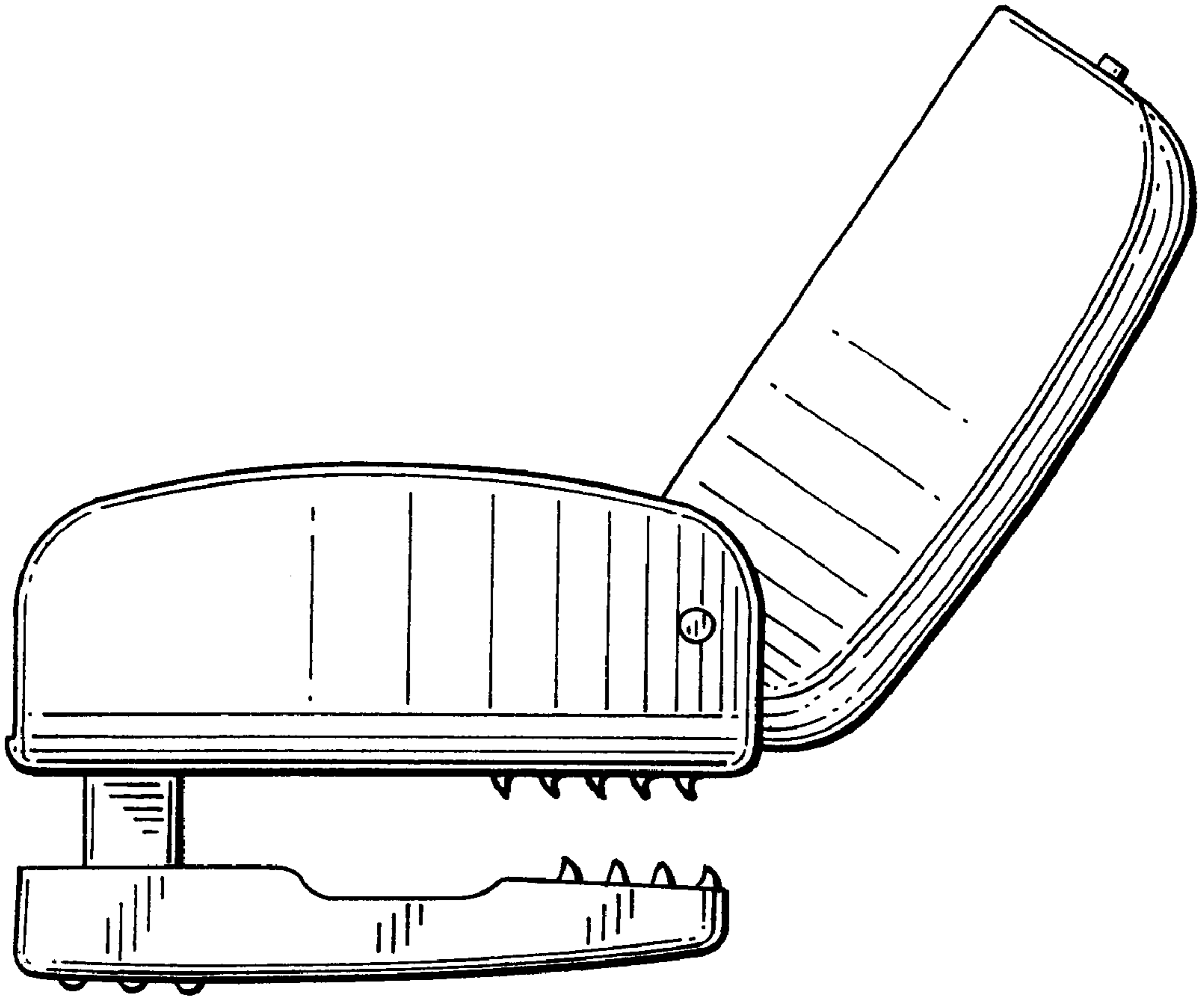


FIG. 6

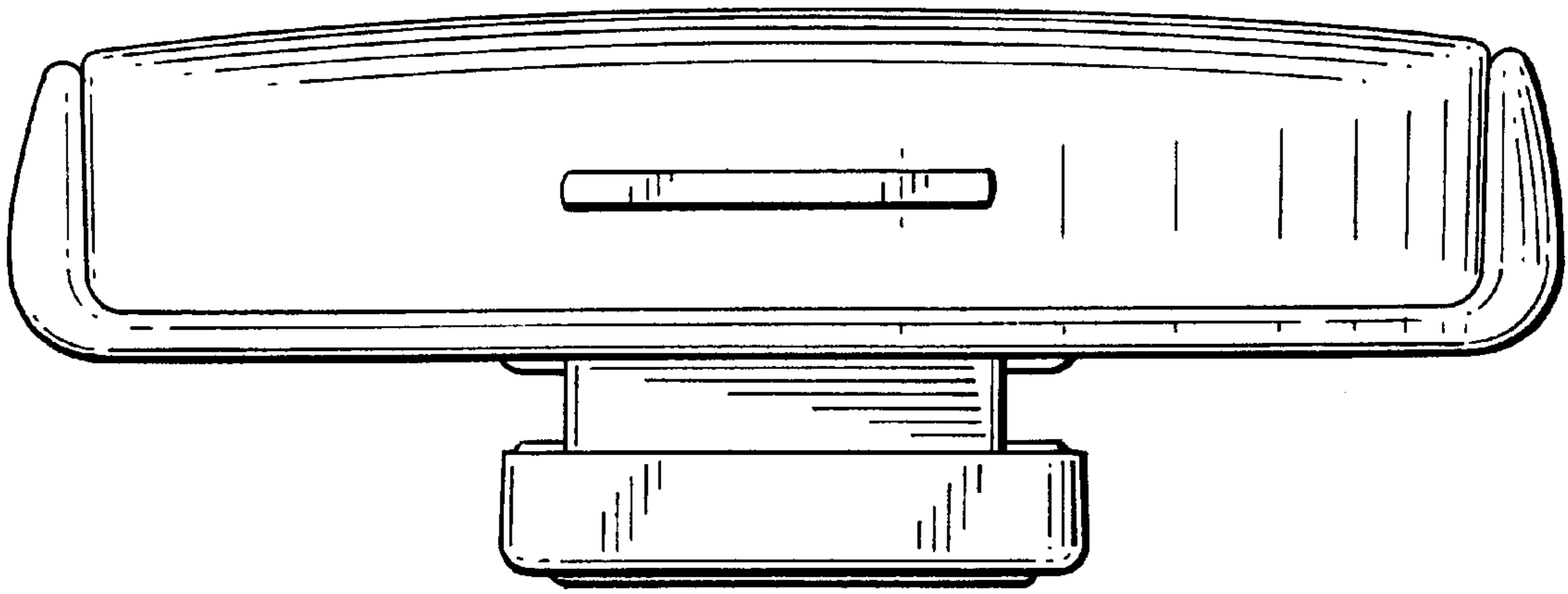


FIG. 7

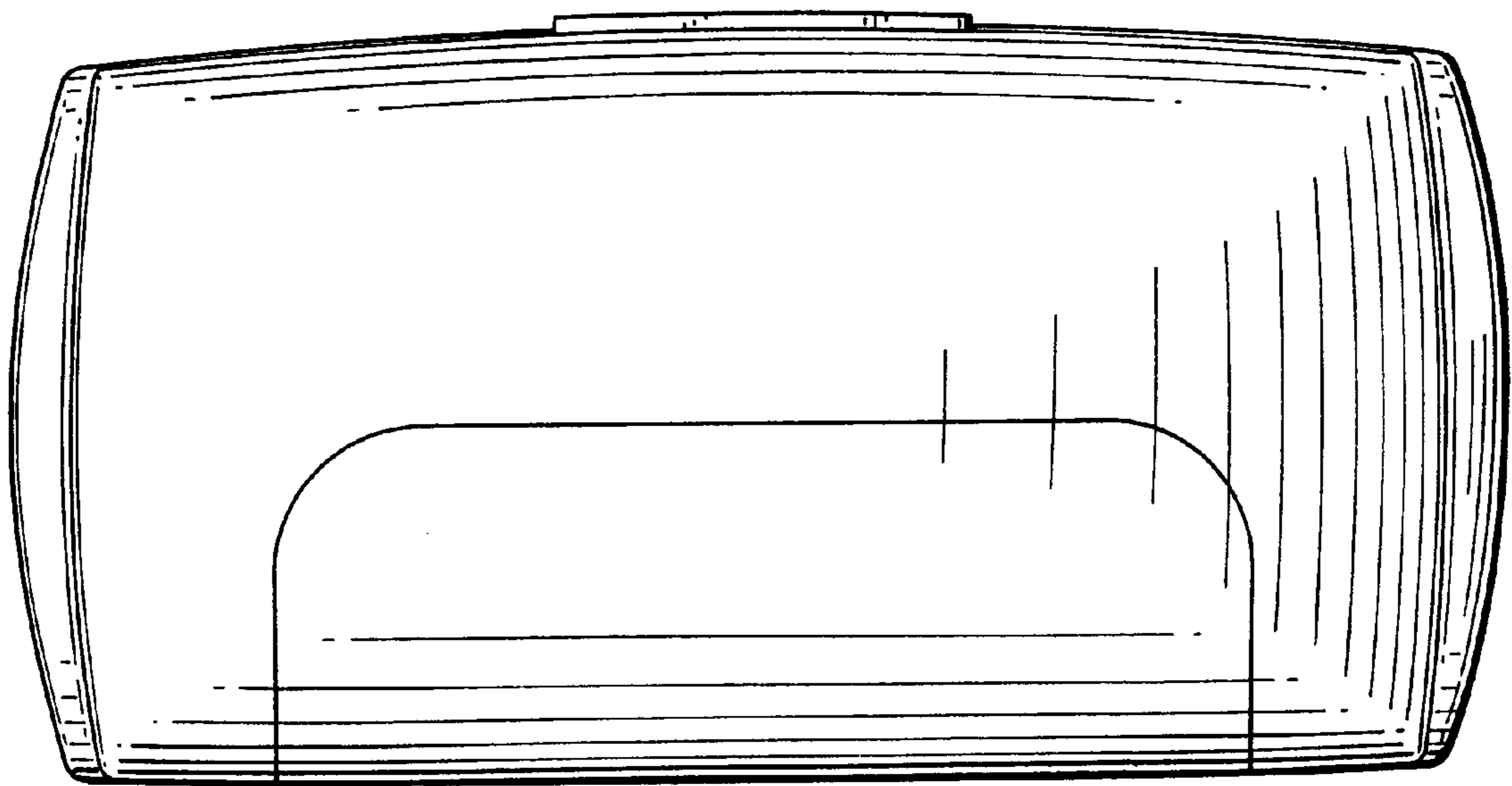


FIG. 8

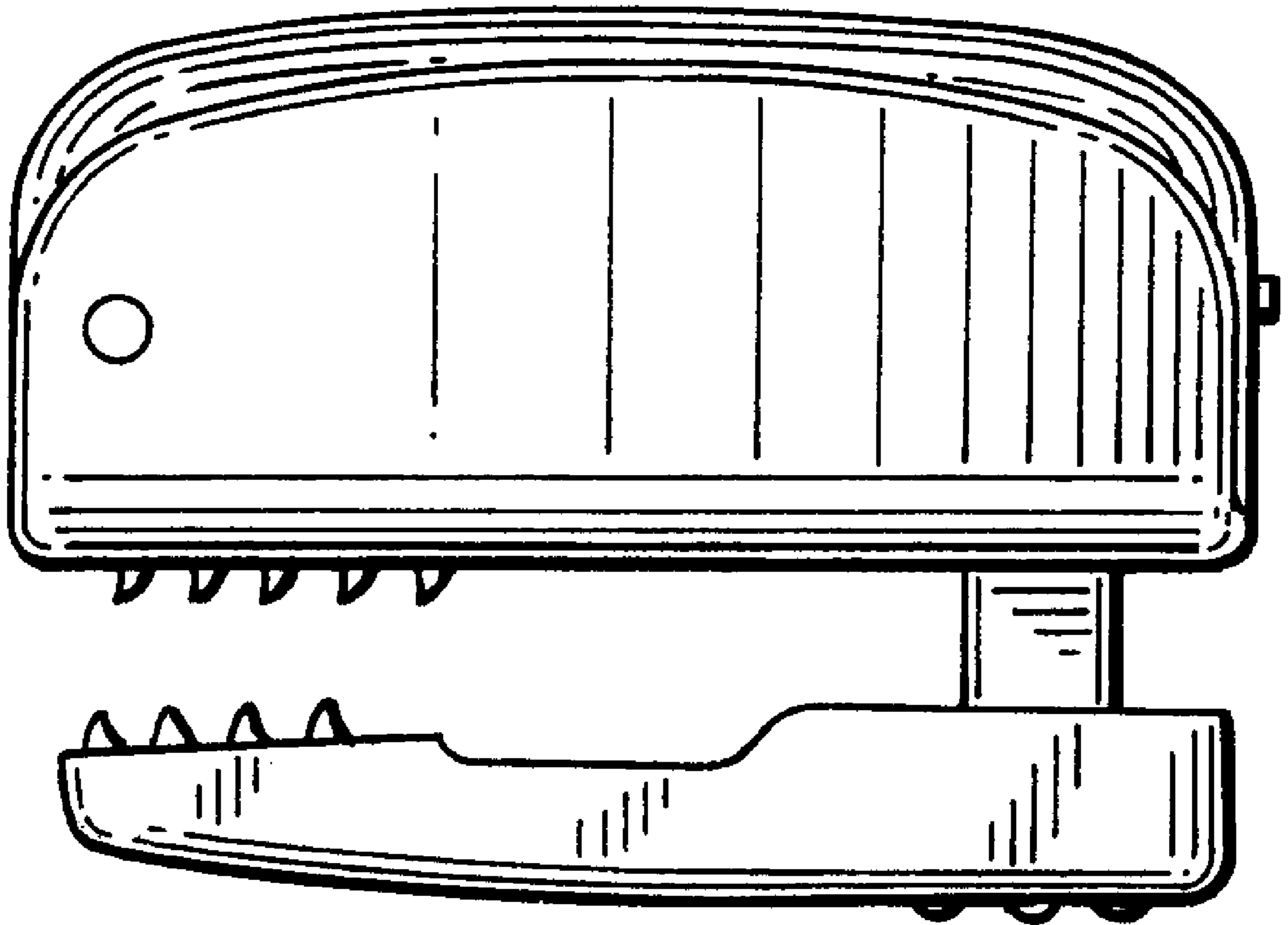


FIG. 9

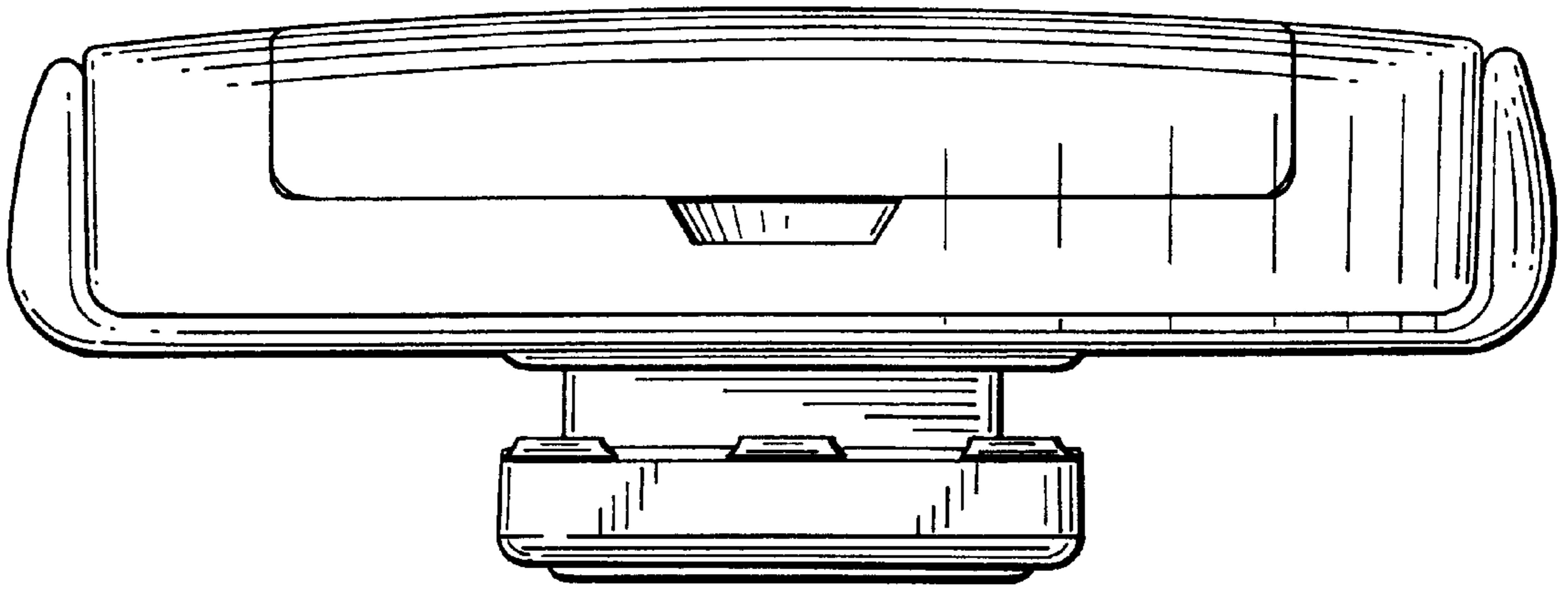


FIG. 10

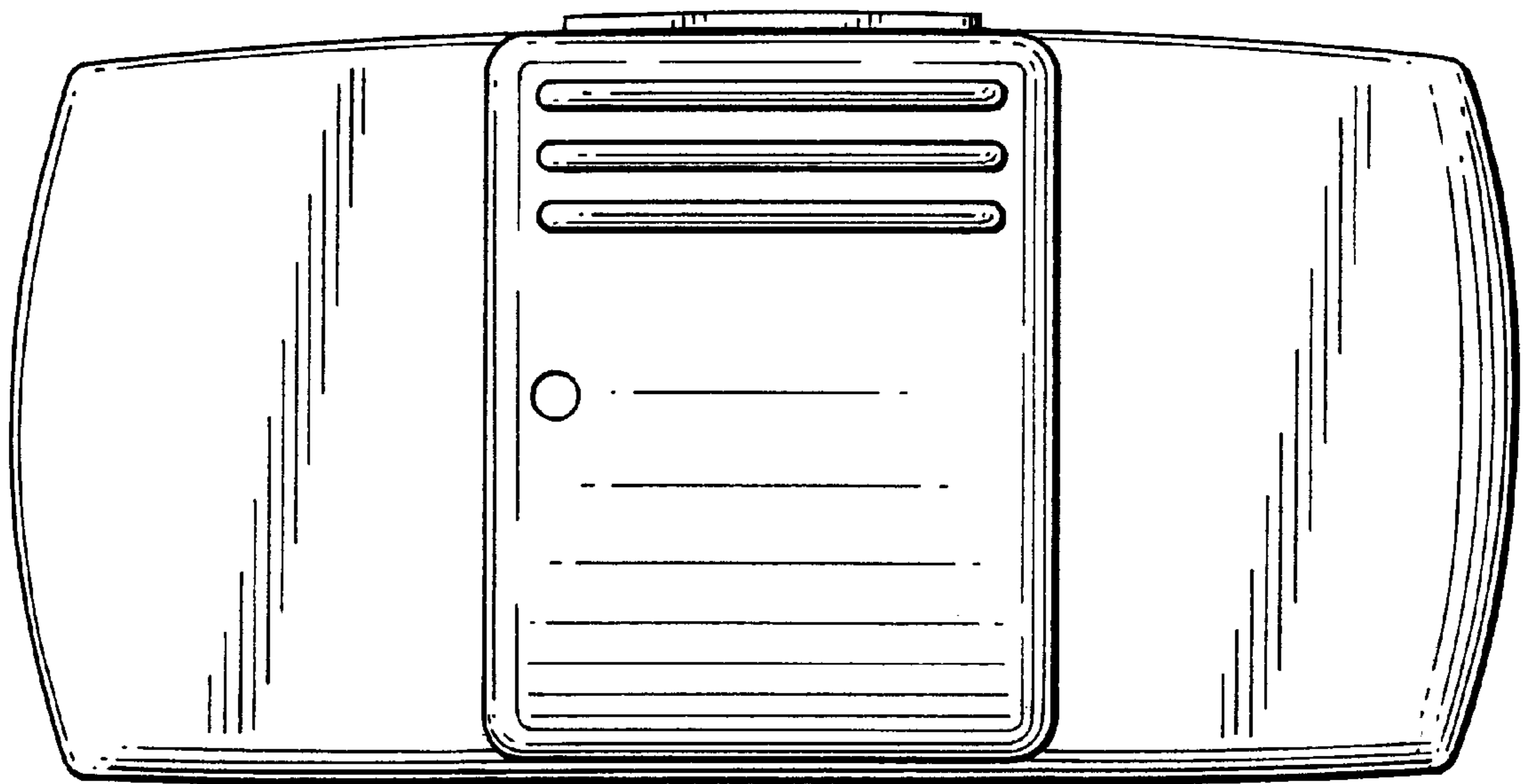


FIG. 11

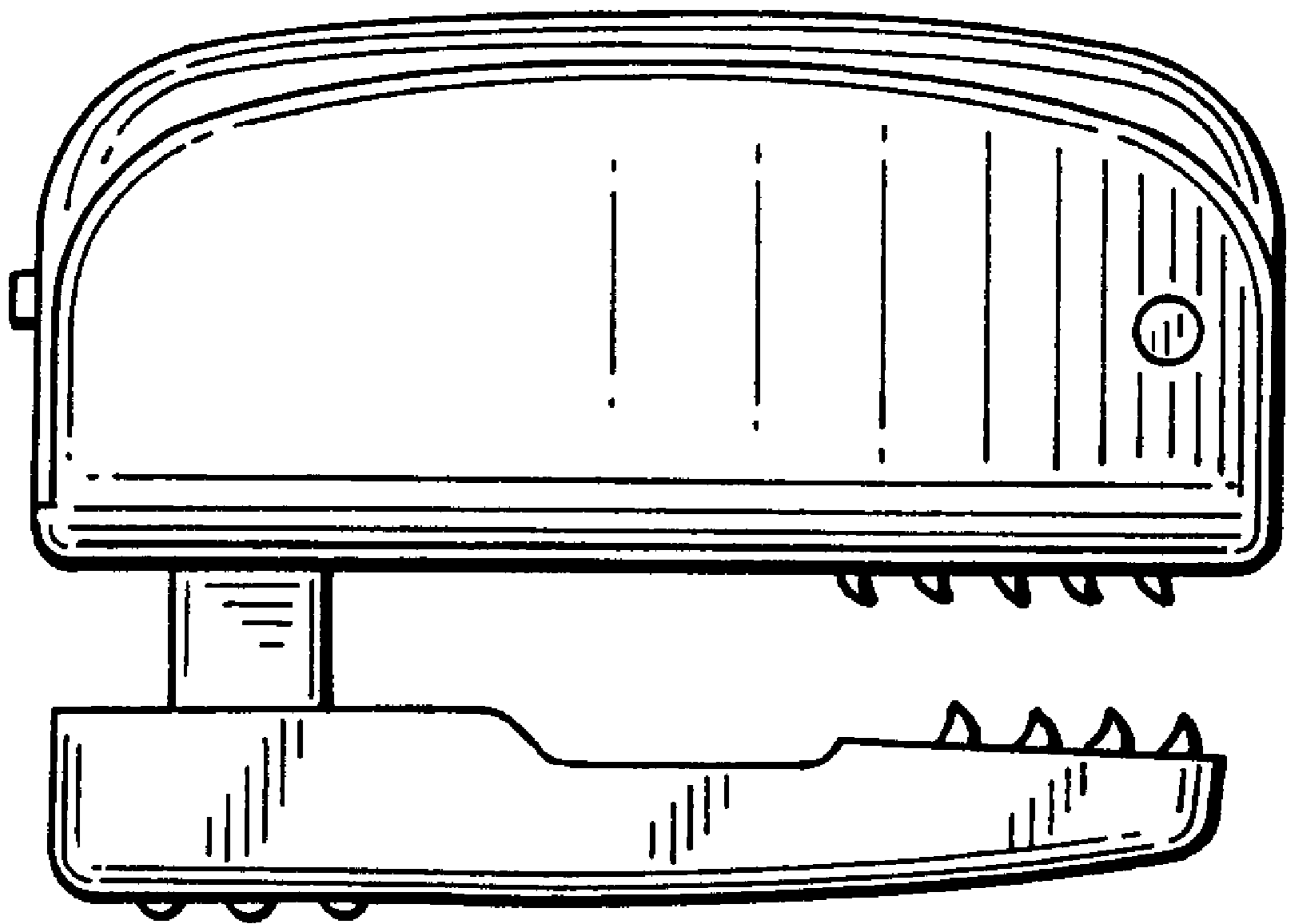


FIG. 12

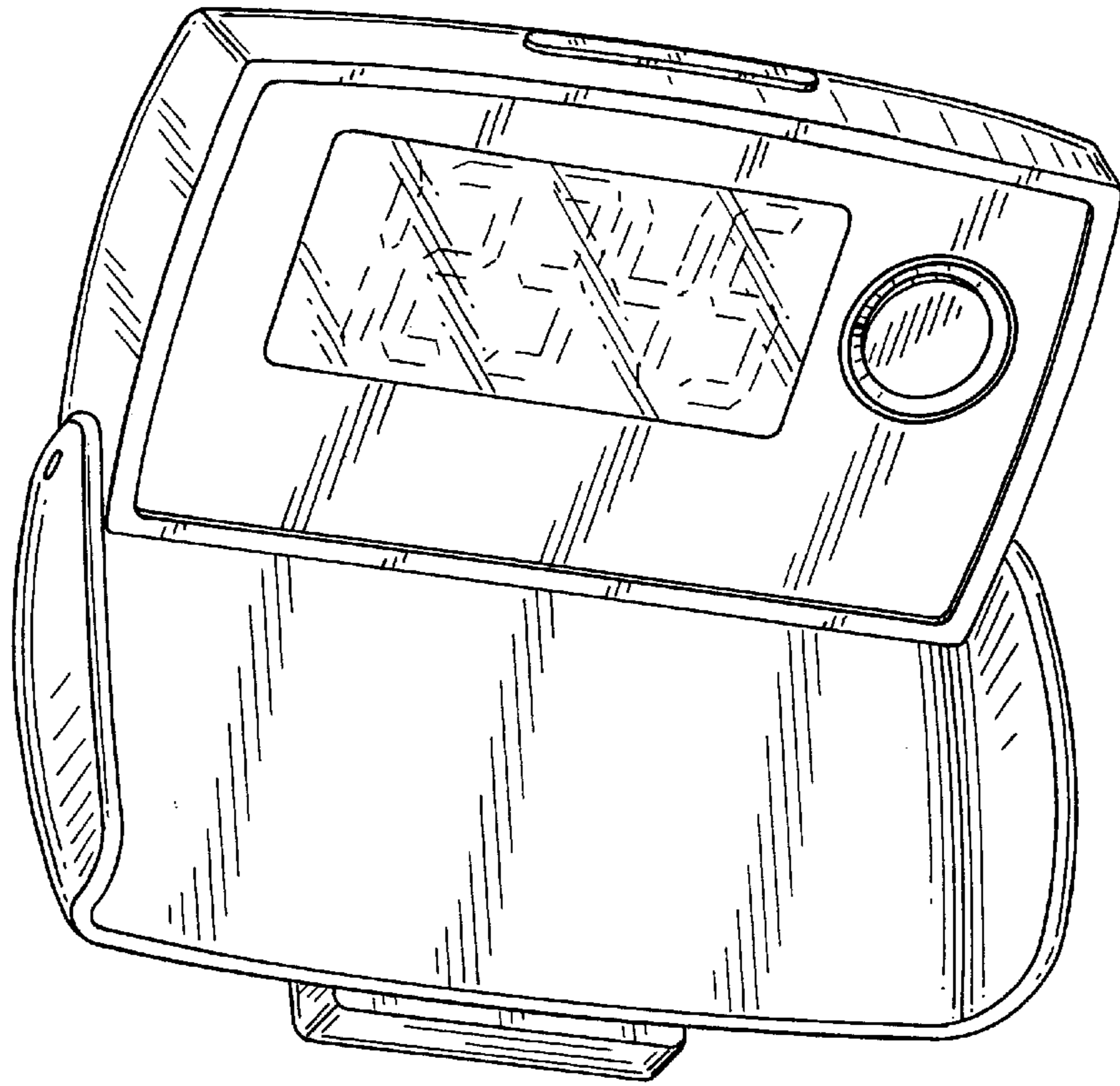


FIG. 13

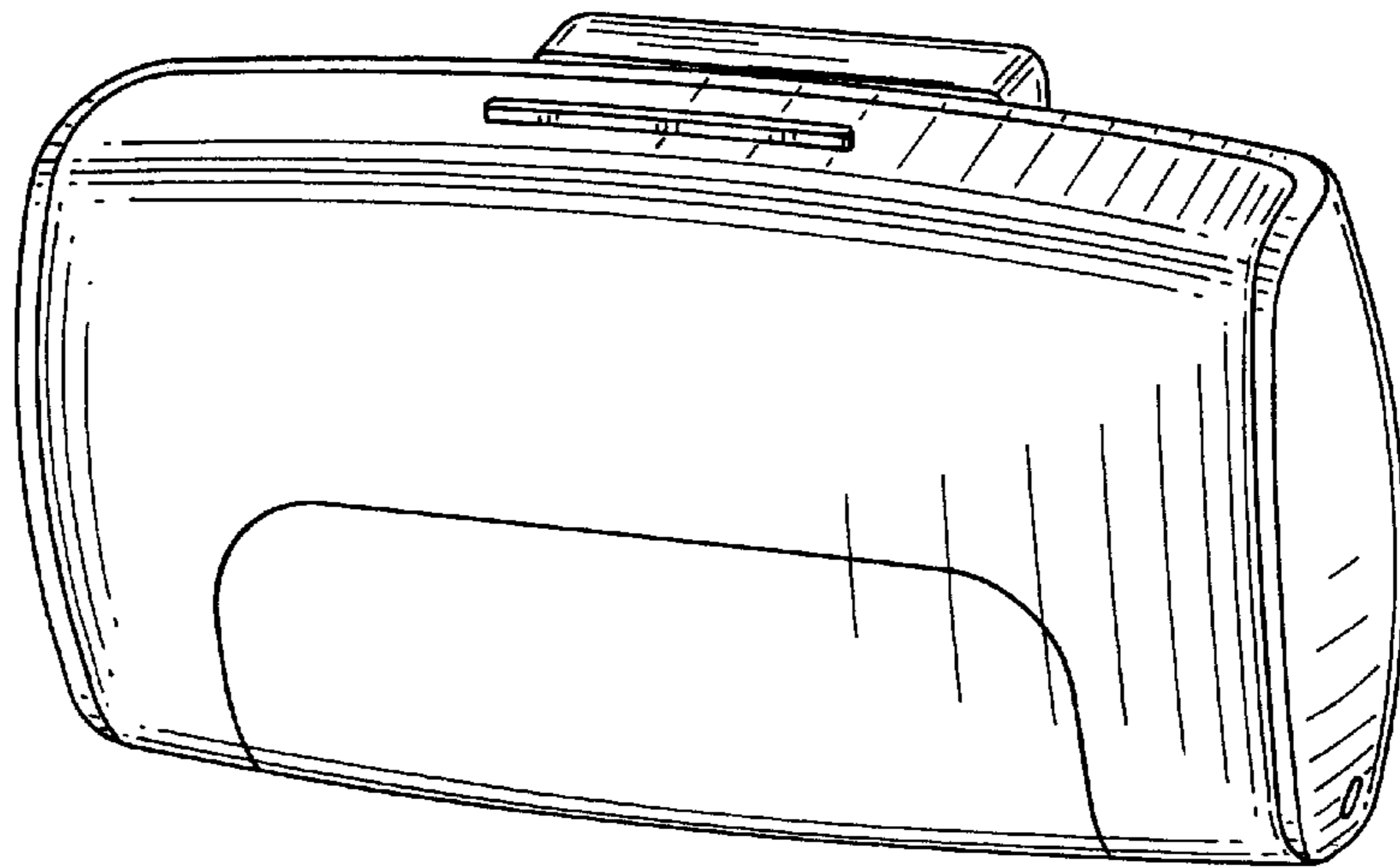


FIG. 14

UNITED STATES PATENT AND TRADEMARK OFFICE
CERTIFICATE OF CORRECTION

PATENT NO. : Des 452,832 S
DATED : January 8, 2002
INVENTOR(S) : Jiro Kobayashi

Page 1 of 1

It is certified that error appears in the above-identified patent and that said Letters Patent is hereby corrected as shown below:

Title page,

Item [30], **Foreign Priority Data** is corrected as follows

-- [30] **Foreign Application Priority Data**
 June 7, 2000 (JP) 2000-15395 --

Signed and Sealed this

Thirtieth Day of July, 2002

Attest:



Attesting Officer

JAMES E. ROGAN
Director of the United States Patent and Trademark Office