



US00D452831B1

(12) **United States Design Patent**
Dwertmann

(10) **Patent No.:** **US D452,831 S**

(45) **Date of Patent:** **** Jan. 8, 2002**

(54) **ELECTRONIC BALANCE**

D347,189 S * 5/1994 Luechinger et al. D10/91
5,874,694 A * 2/1999 Ruedisuell 177/181

(75) Inventor: **Clemens Dwertmann**, Lastrup (DE)

* cited by examiner

(73) Assignee: **Sartorius Aktiengesellschaft**,
Goettingen (DE)

Primary Examiner—Antoine Duval Davis
(74) *Attorney, Agent, or Firm*—Sughrue, Mion, Zinn,
Macpeak & Seas, PLLC

(**) Term: **14 Years**

(21) Appl. No.: **29/128,140**

(57) **CLAIM**

(22) Filed: **Aug. 21, 2000**

The ornamental design for an electronic balance, as shown
and described.

(30) **Foreign Application Priority Data**

DESCRIPTION

Feb. 22, 2000 (DE) 400 01 725

(51) **LOC (7) Cl.** **10-04**

(52) **U.S. Cl.** **D10/91**

(58) **Field of Search** D10/91; 177/124,
177/180–182, 238–241

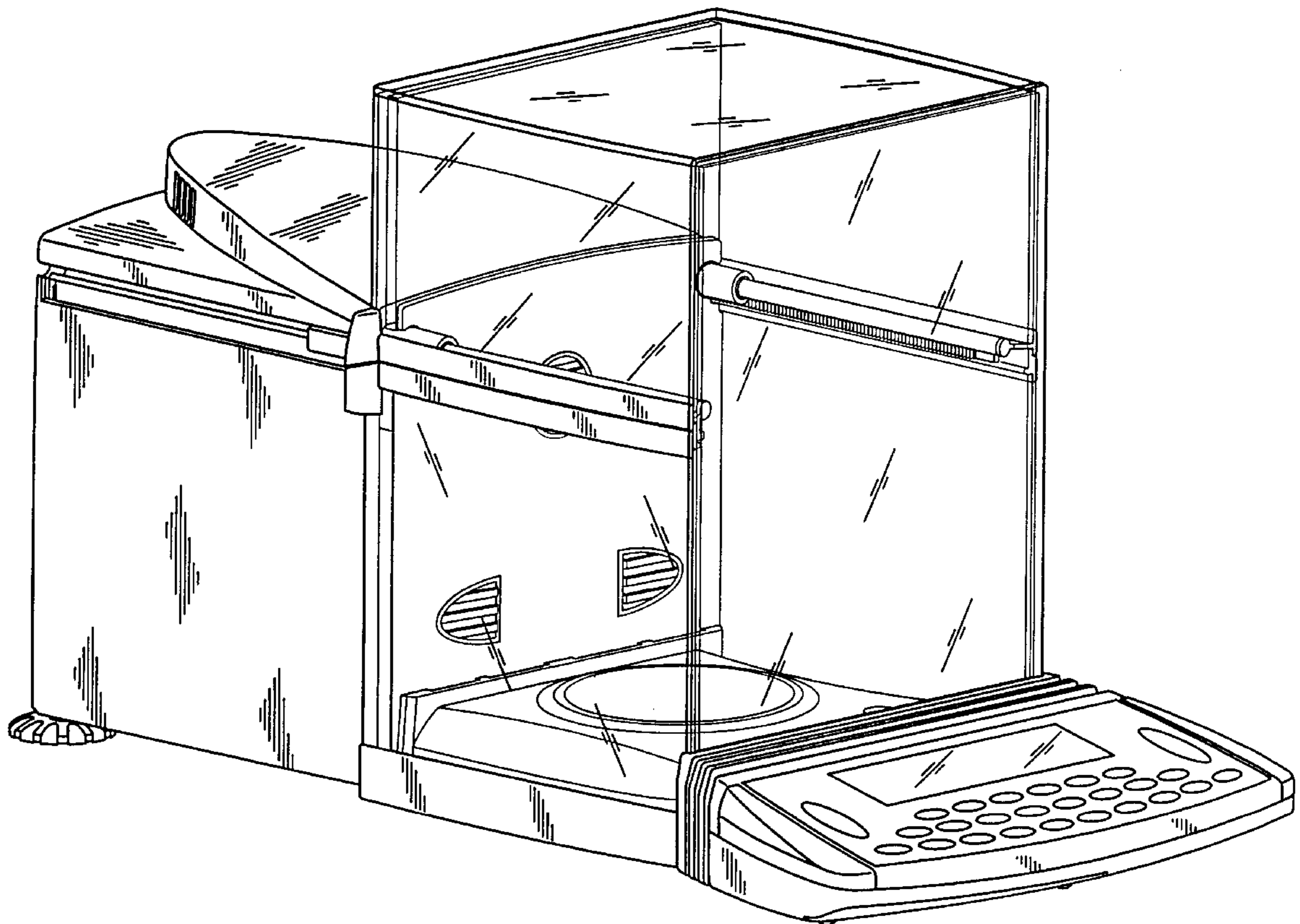
FIG. 1 is a perspective view of the top, front and left side of
an electronic balance showing my new design;
FIG. 2 is a perspective view of the top, front and right side
thereof;
FIG. 3 is a right side elevational view thereof;
FIG. 4 is a left side elevational view thereof;
FIG. 5 is a front elevational view thereof;
FIG. 6 is a rear elevational view thereof;
FIG. 7 is a top plan view thereof;
FIG. 8 is a bottom plan view thereof; and,
FIG. 9 is a view similar to FIG. 1 with a cover retracted.

(56) **References Cited**

U.S. PATENT DOCUMENTS

D296,307 S 6/1988 Knothe et al.
D309,720 S * 8/1990 Handlbauer et al. D10/91
5,058,692 A * 10/1991 Melcher et al. 177/181
5,298,688 A * 3/1994 Luechinger et al. 177/181

1 Claim, 9 Drawing Sheets



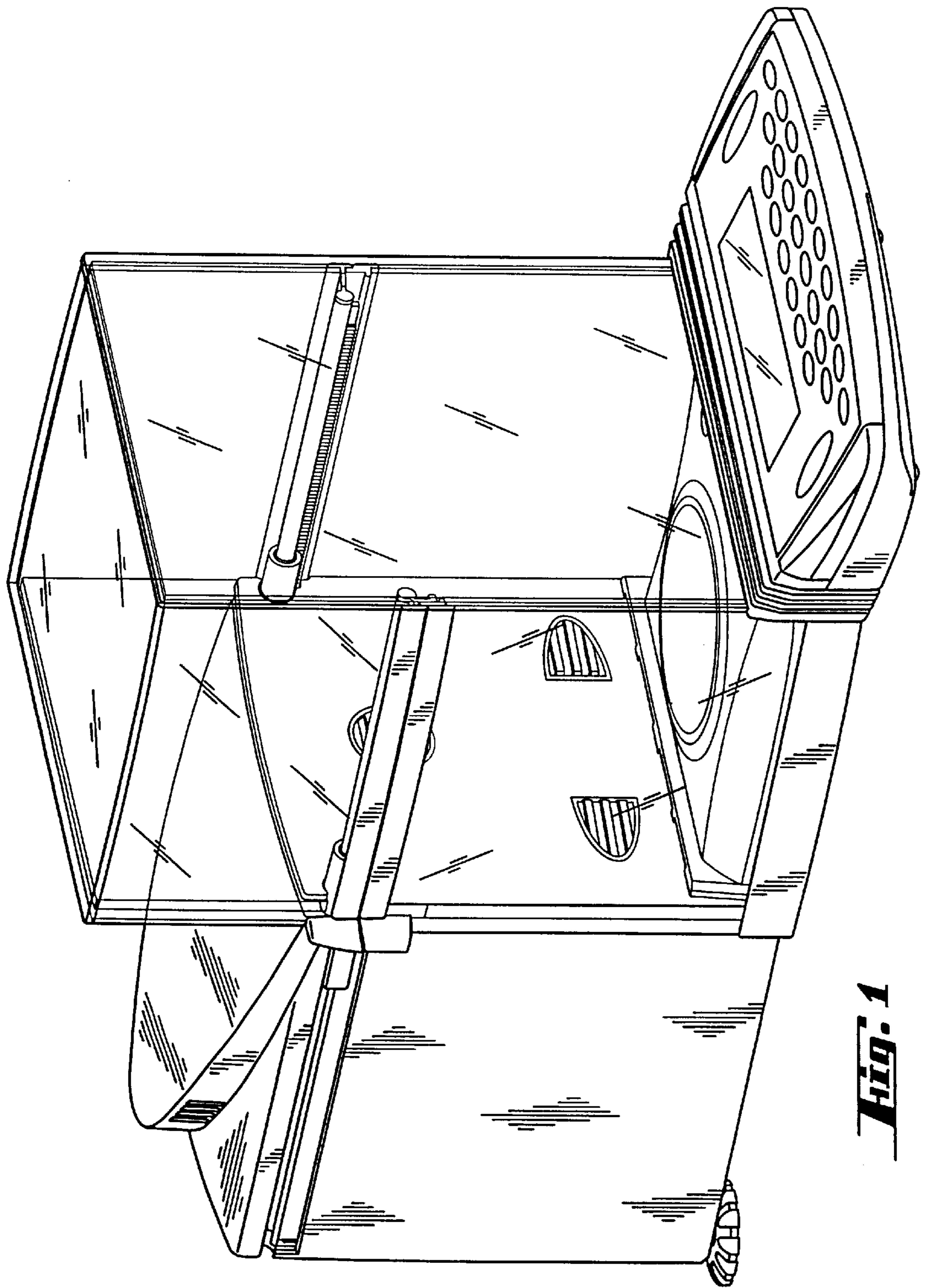


FIG. 1

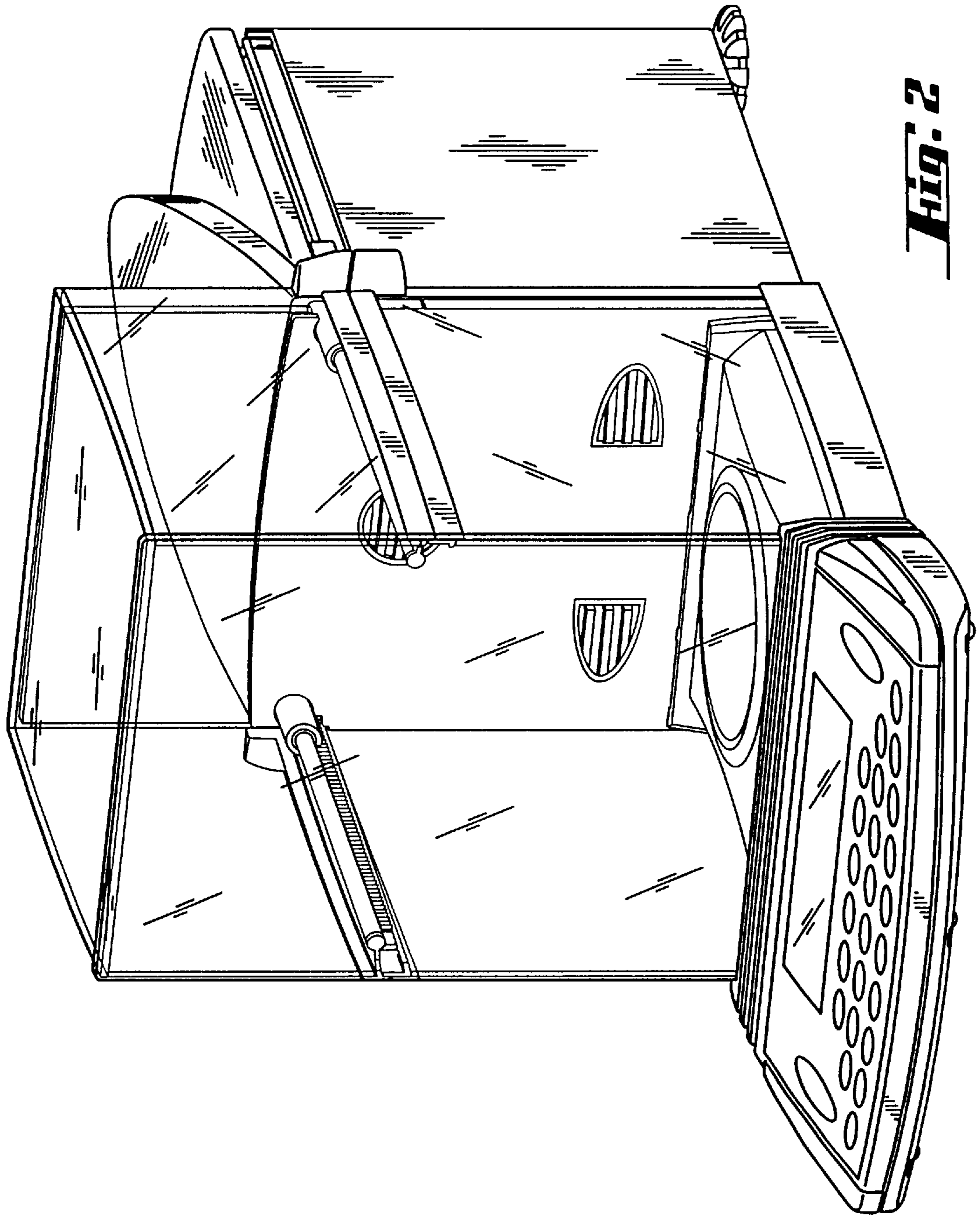


FIG. 2

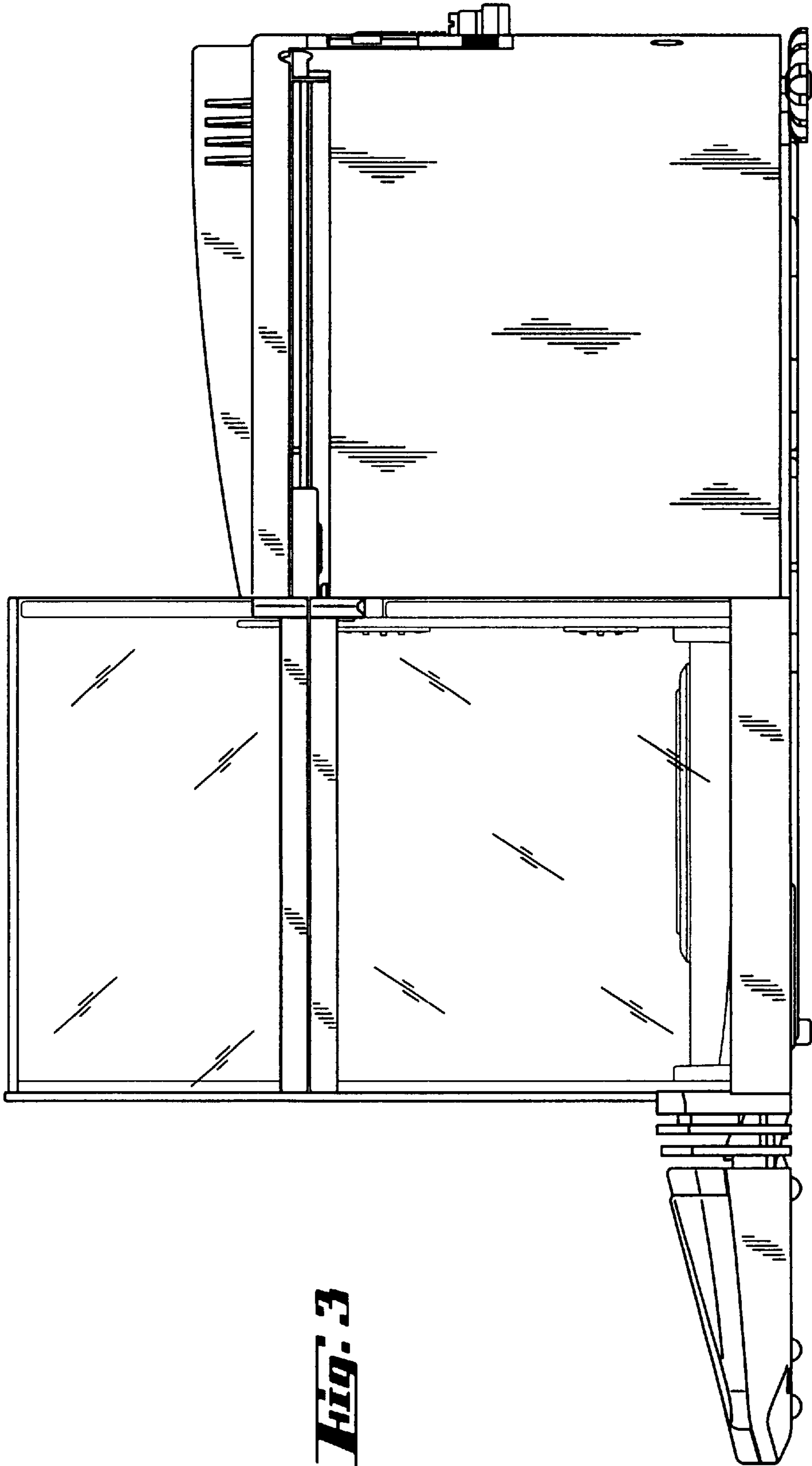
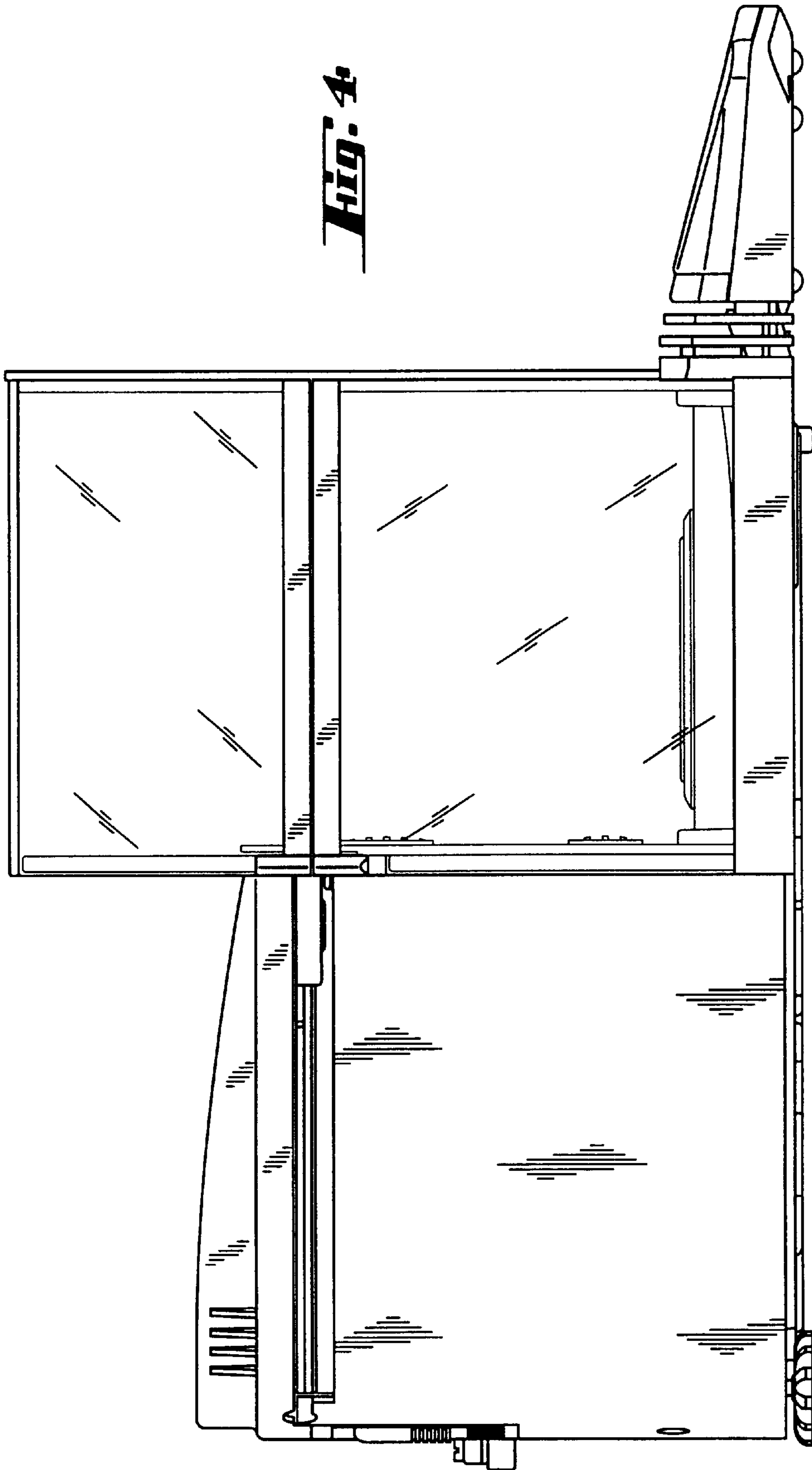


Fig. 4



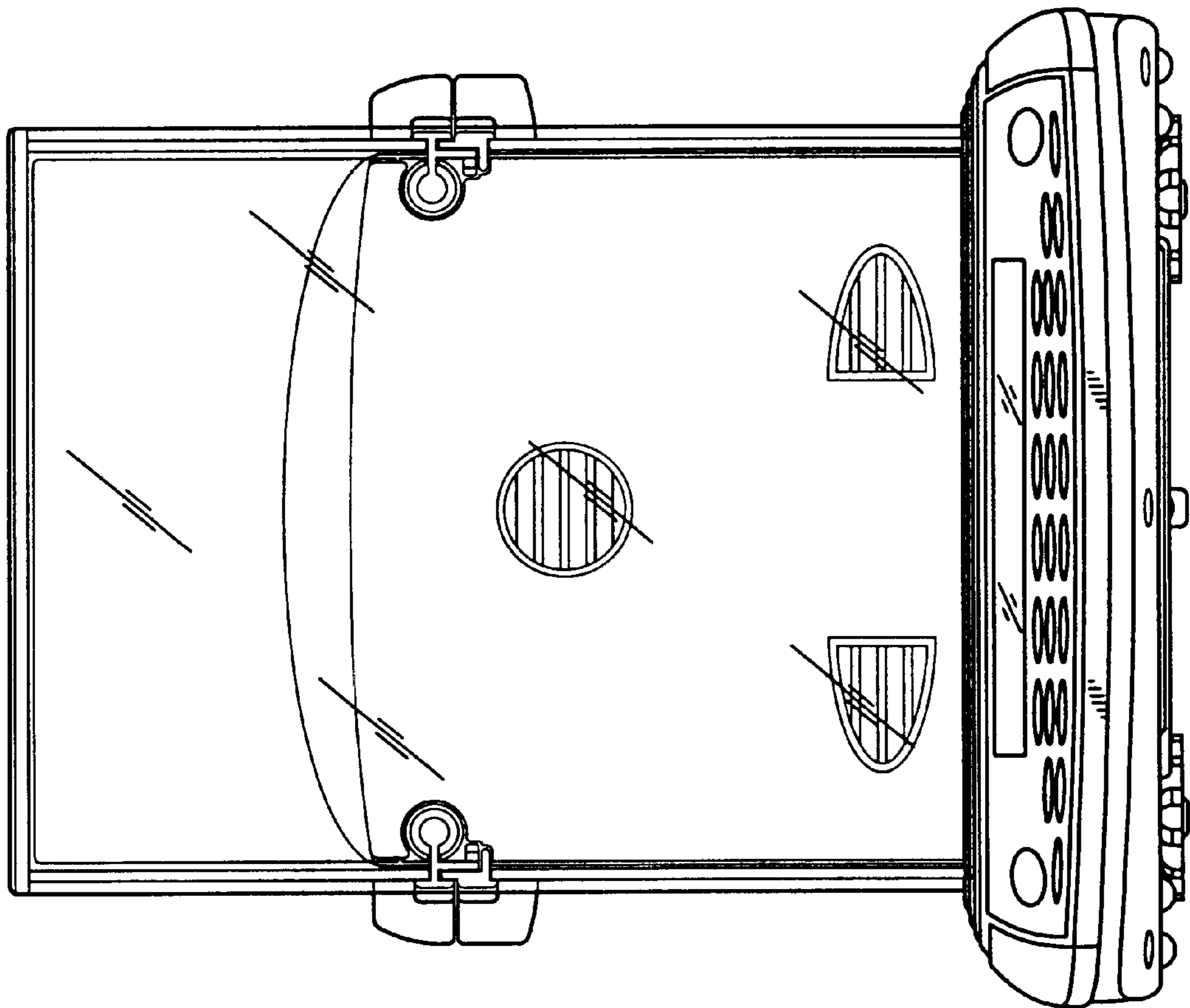


Fig. 5

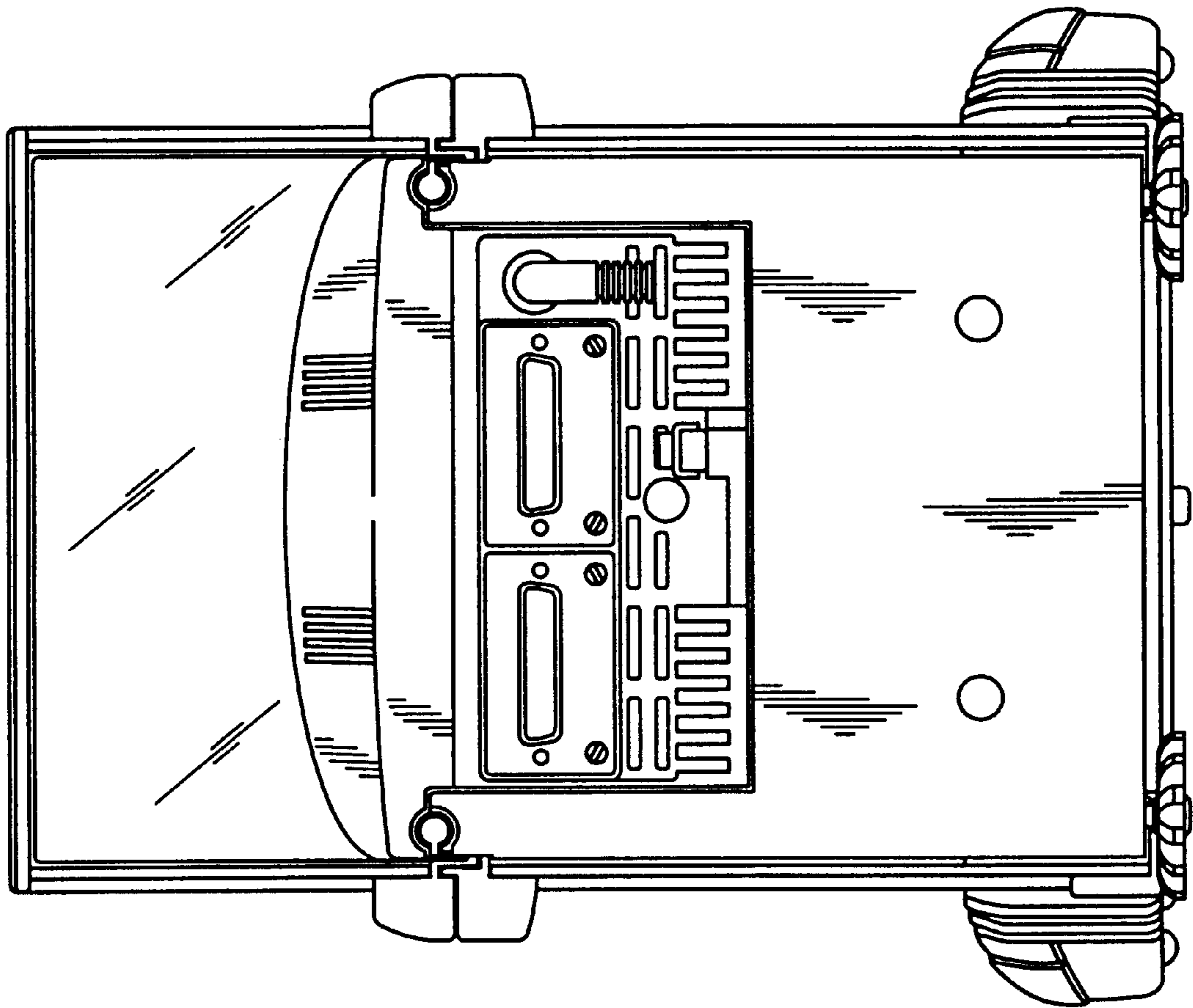


FIG. 6

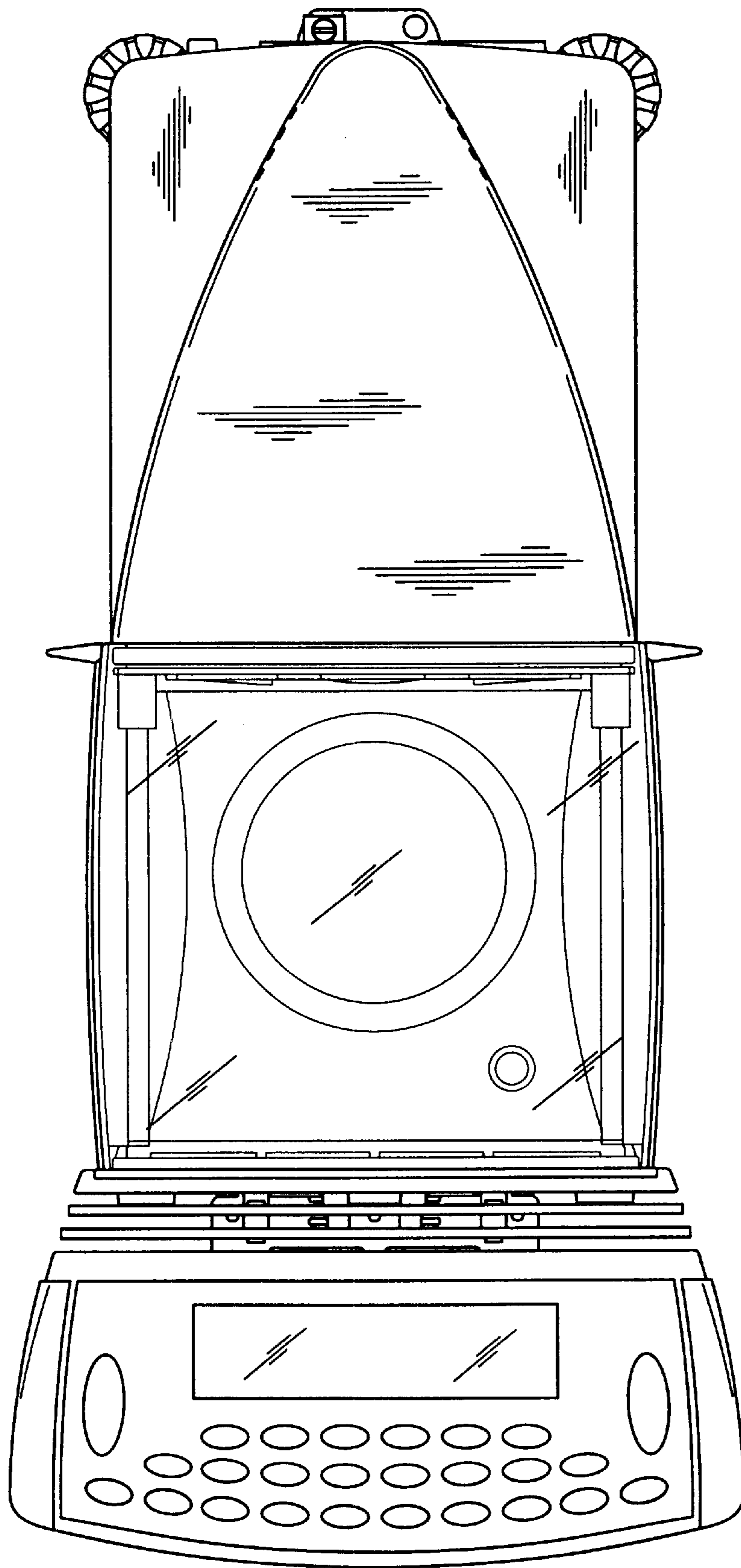


Fig. 7

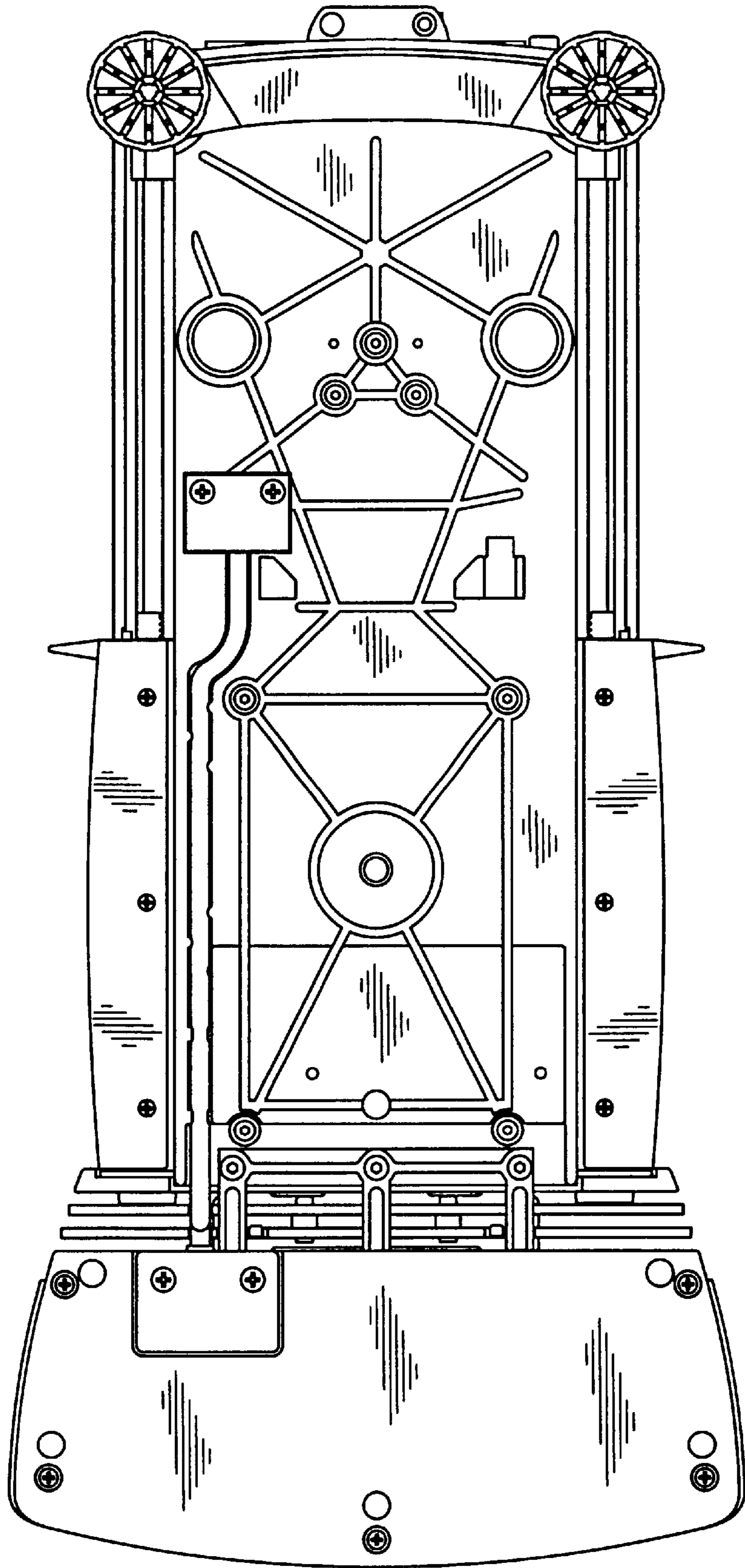


Fig. 8

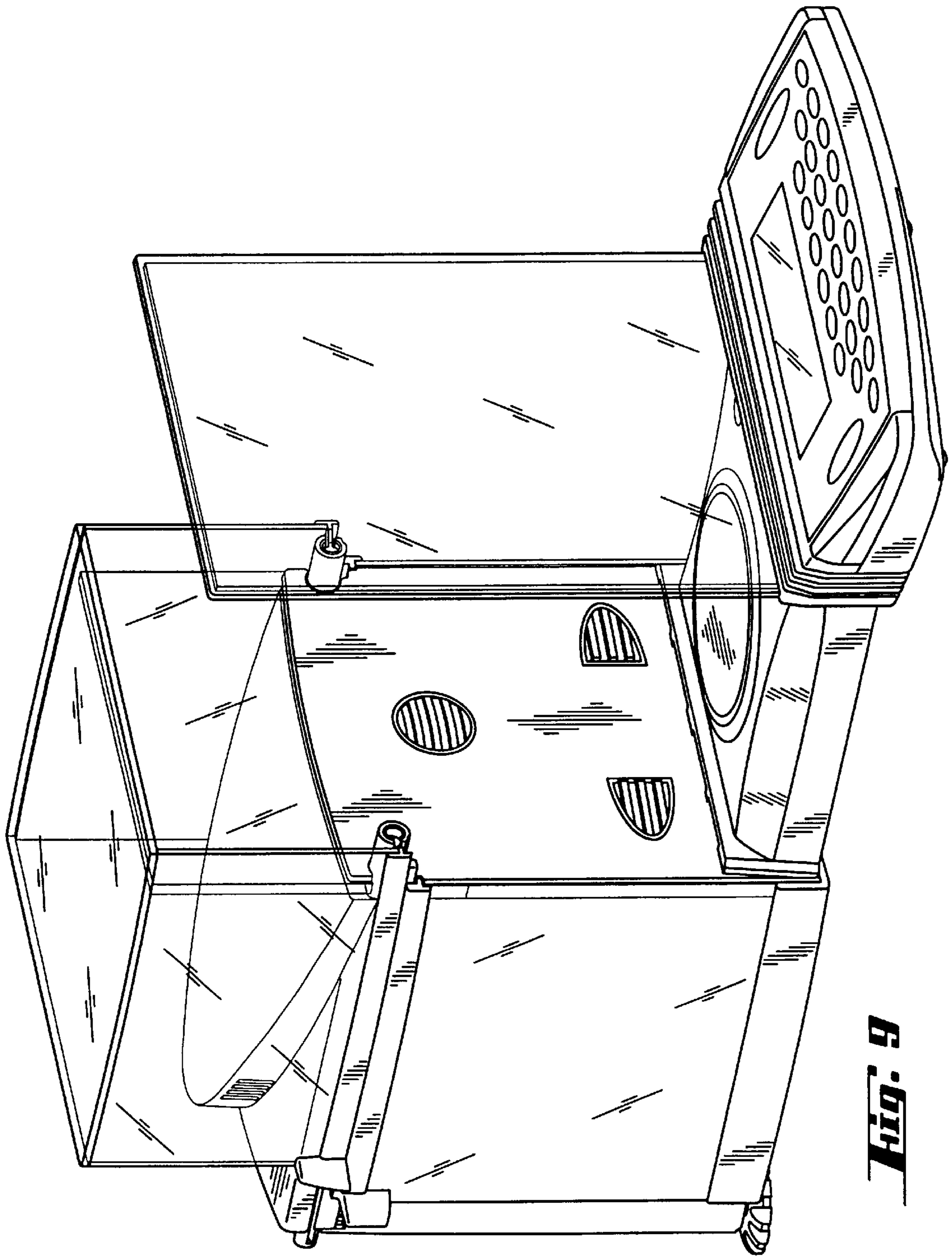


FIG. 9