



US00D452830B1

(12) **United States Design Patent**  
**Harju et al.**

(10) **Patent No.:** **US D452,830 S**

(45) **Date of Patent:** **\*\* Jan. 8, 2002**

(54) **CLAMP METER JAWS**

(75) Inventors: **Rey P. Harju**, Fullerton, CA (US);  
**James L. Gregorec, Jr.**, Sycamore, IL  
(US); **David Hines**, Santa Ana, CA  
(US)

(73) Assignee: **Ideal Industries, Inc.**, Sycamore, IL  
(US)

(\*\*) Term: **14 Years**

(21) Appl. No.: **29/136,450**

(22) Filed: **Jan. 31, 2001**

(51) **LOC (7) Cl.** ..... **10-04**

(52) **U.S. Cl.** ..... **D10/80**

(58) **Field of Search** ..... D10/79, 80; 324/115-117,  
324/126-130, 142, 143, 149, 156, 158 P,  
158 F

(56) **References Cited**

**U.S. PATENT DOCUMENTS**

D440,892 S \* 4/2001 Kuramoto ..... D10/79

\* cited by examiner

*Primary Examiner*—Antoine Duval Davis  
(74) *Attorney, Agent, or Firm*—Cook, Alex, McFarron,  
Manzo, Cummings & Mehler, Ltd.

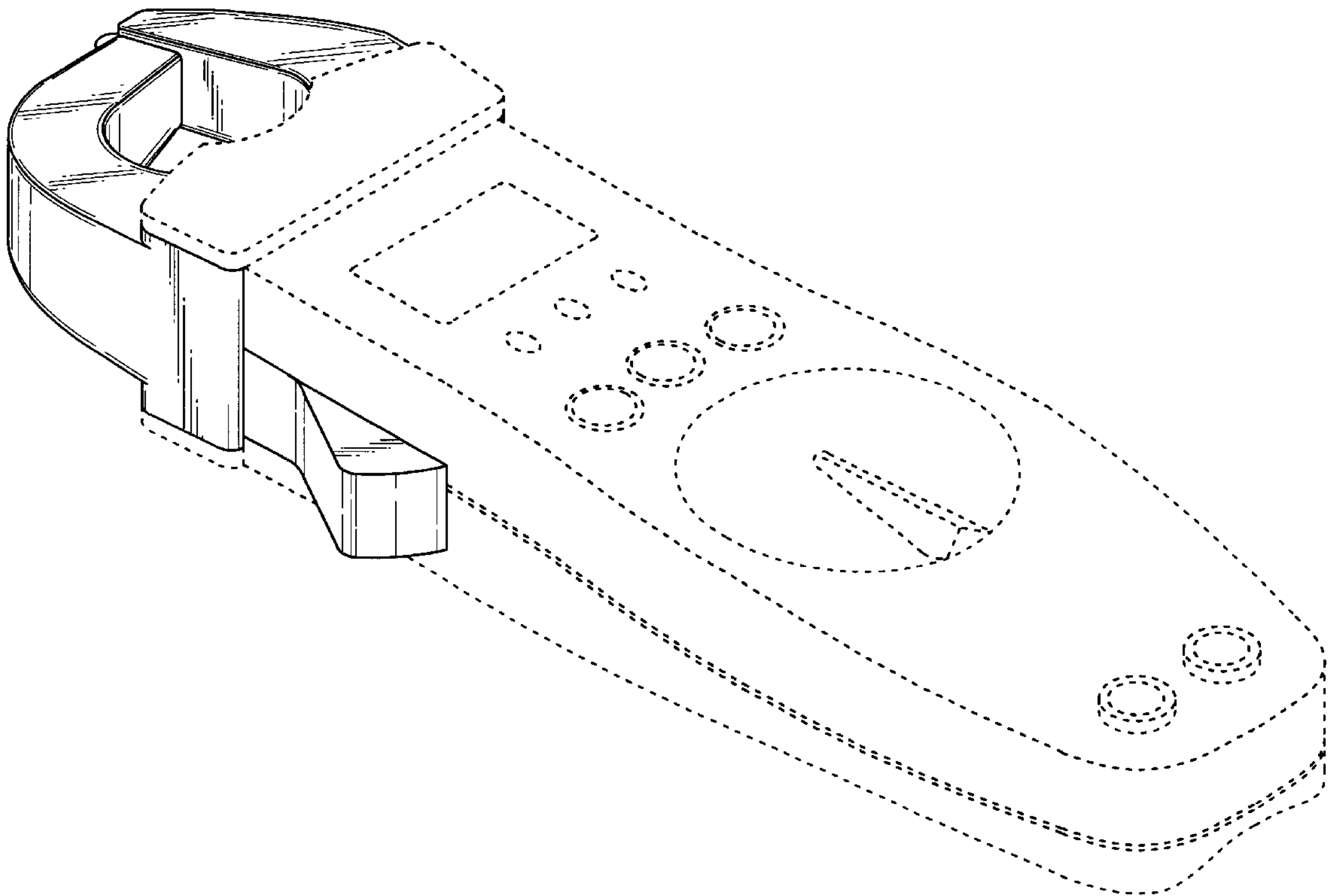
(57) **CLAIM**

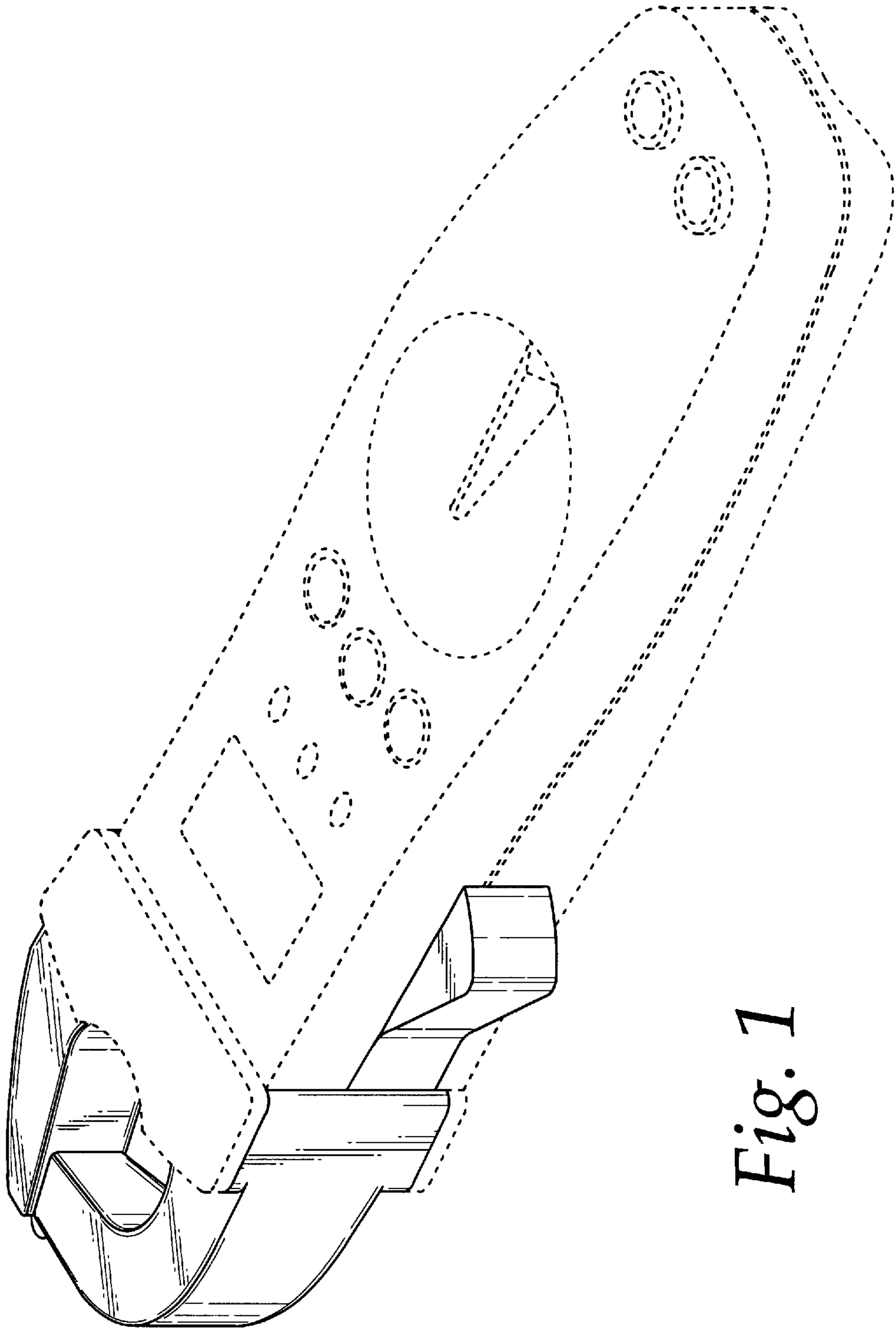
The ornamental design for clamp meter jaws, as shown and described.

**DESCRIPTION**

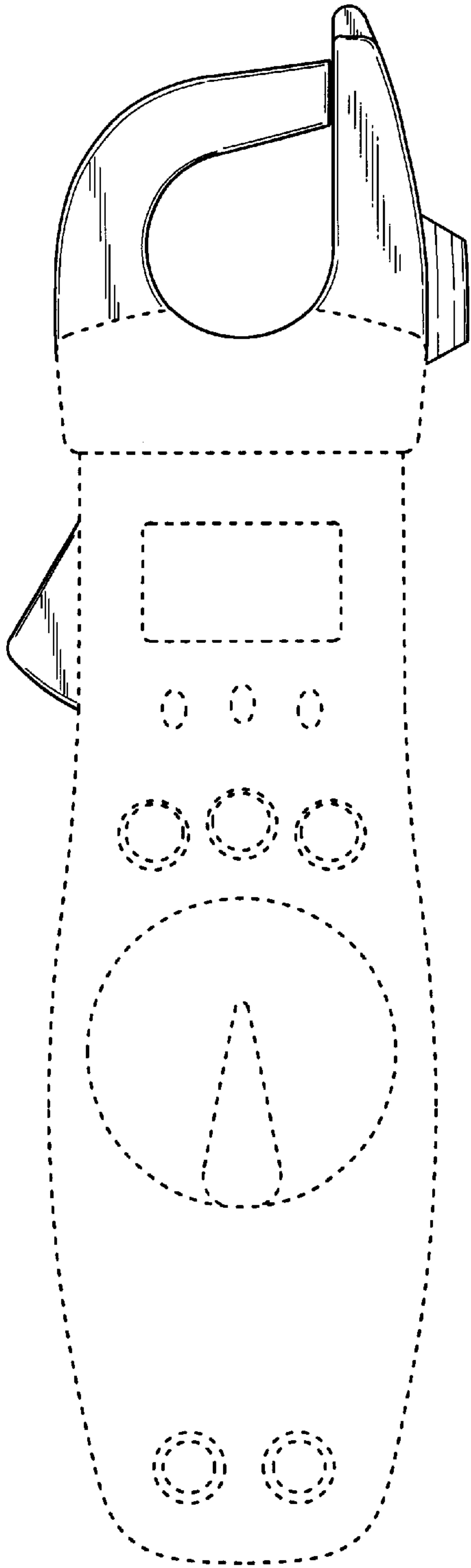
FIG. 1 is a perspective view of the clamp meter jaws.  
FIG. 2 is a front elevation view of the clamp meter jaws.  
FIG. 3 is a rear elevation view of the clamp meter jaws.  
FIG. 4 is a left side elevation view of the clamp meter jaws.  
FIG. 5 is a right side elevation view of the clamp meter jaws.  
FIG. 6 is a top plan view of the clamp meter jaws; and,  
FIG. 7 is a bottom plan view of the clamp meter jaws.  
The broken line showing of a clamp meter housing in all the  
Figures, including a display screen, LED indicators, push-  
buttons, a function selector dial and test lead jacks (as best  
seen in FIGS. 1 and 2) and screw holes (as seen in FIG. 3),  
are for illustrative purposes only and form no part of the  
claimed design.

**1 Claim, 3 Drawing Sheets**

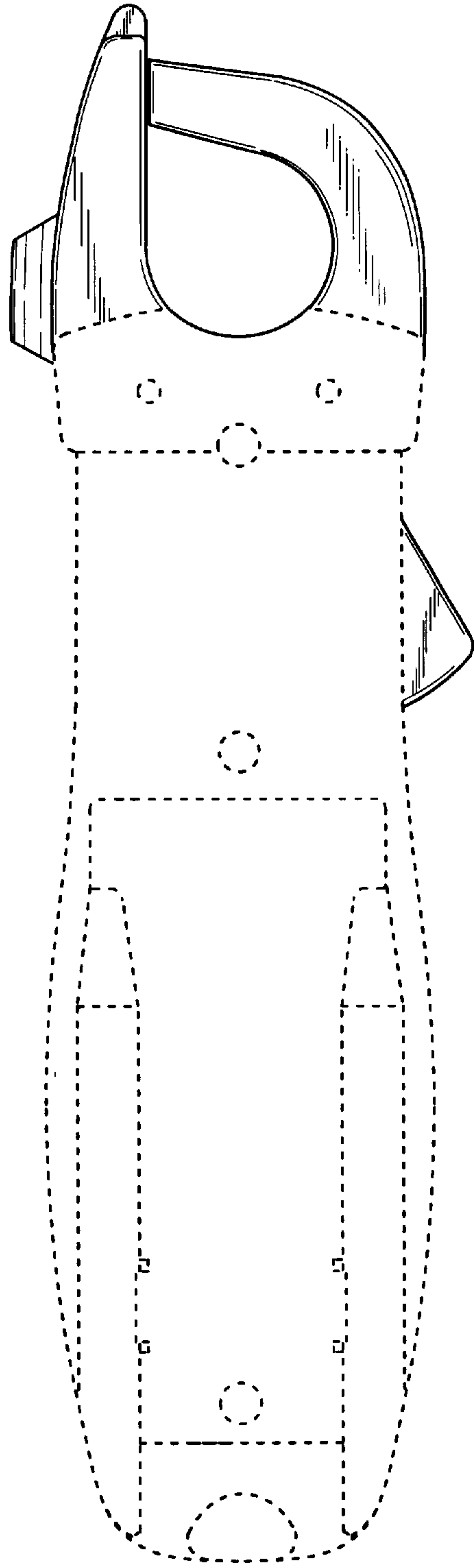




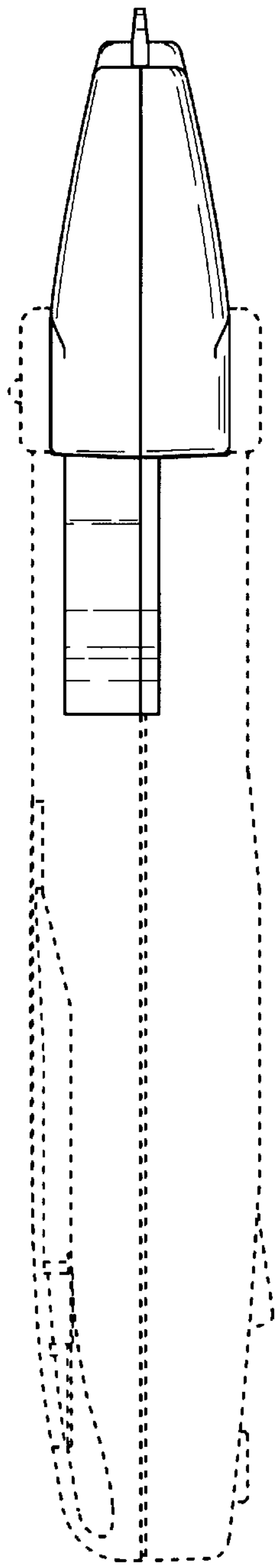
*Fig. 1*



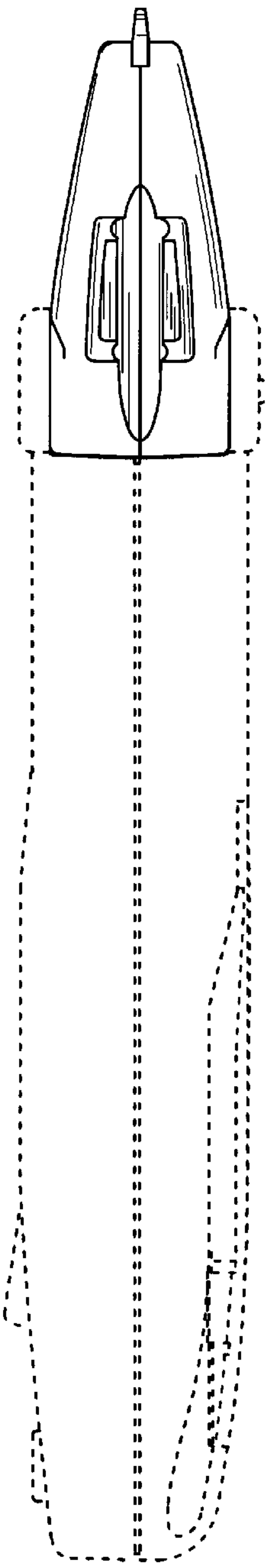
*Fig. 2*



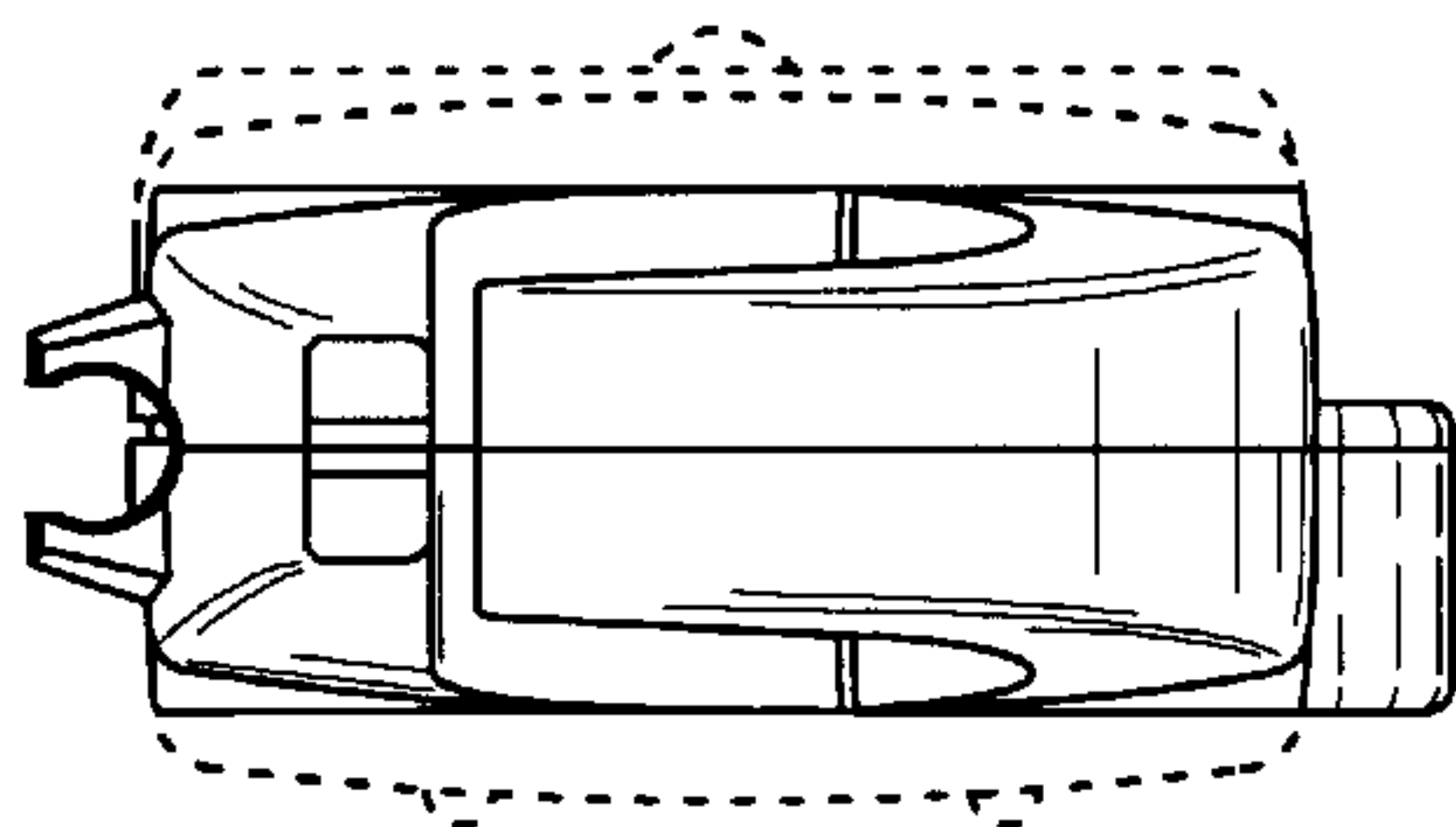
*Fig. 3*



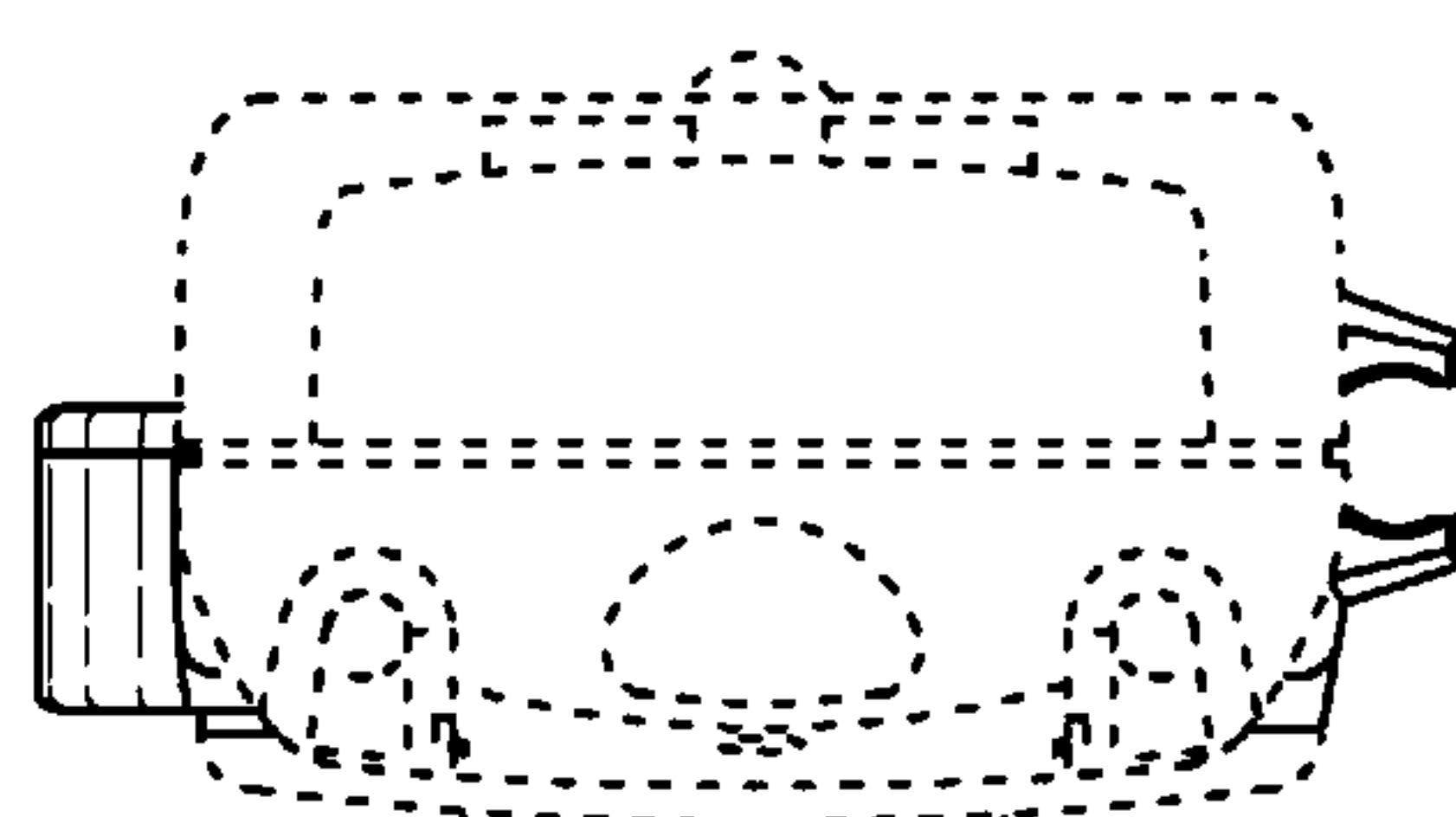
*Fig. 4*



*Fig. 5*



*Fig. 6*



*Fig. 7*