



US00D452828B1

(12) **United States Design Patent**
Wah

(10) **Patent No.:** **US D452,828 S**

(45) **Date of Patent:** **** Jan. 8, 2002**

(54) **LCD DISPLAY CLOCK WITH SUCTION CUPS**

(75) **Inventor:** **Yue Yuk Wah, Shatin (HK)**

(73) **Assignee:** **Artfield Manufacturing Company Limited, Shatin (HK)**

(**) **Term:** **14 Years**

(21) **Appl. No.:** **29/135,348**

(22) **Filed:** **Jan. 10, 2001**

(30) **Foreign Application Priority Data**

Sep. 5, 2000 (HK) 0011214.6

(51) **LOC (7) Cl.** **10-01**

(52) **U.S. Cl.** **D10/22; D10/15; D10/2**

(58) **Field of Search** **D10/1, 2, 3-15, D10/16-18, 19-40, 122-132; 368/10, 276, 277, 285, 316, 317; D14/170, 194**

(56) **References Cited**

U.S. PATENT DOCUMENTS

D114,668 S * 5/1939 Walkley D10/2

D359,693 S * 6/1995 Chung D10/7
5,940,350 A * 8/1999 Booty, Jr. 368/276
D432,516 S * 10/2000 Chen D14/170
D437,842 S * 2/2001 Chen D14/194

* cited by examiner

Primary Examiner—Martie K. Holtje

(74) *Attorney, Agent, or Firm*—Salter & Michaelson

(57) **CLAIM**

The ornamental design for an LCD display clock with suction cups, as shown and described.

DESCRIPTION

FIG. 1 is a perspective view of an LCD display clock with suction cups;

FIG. 2 is a top plan view thereof;

FIG. 3 is a bottom plan view thereof;

FIG. 4 is a front elevational view thereof;

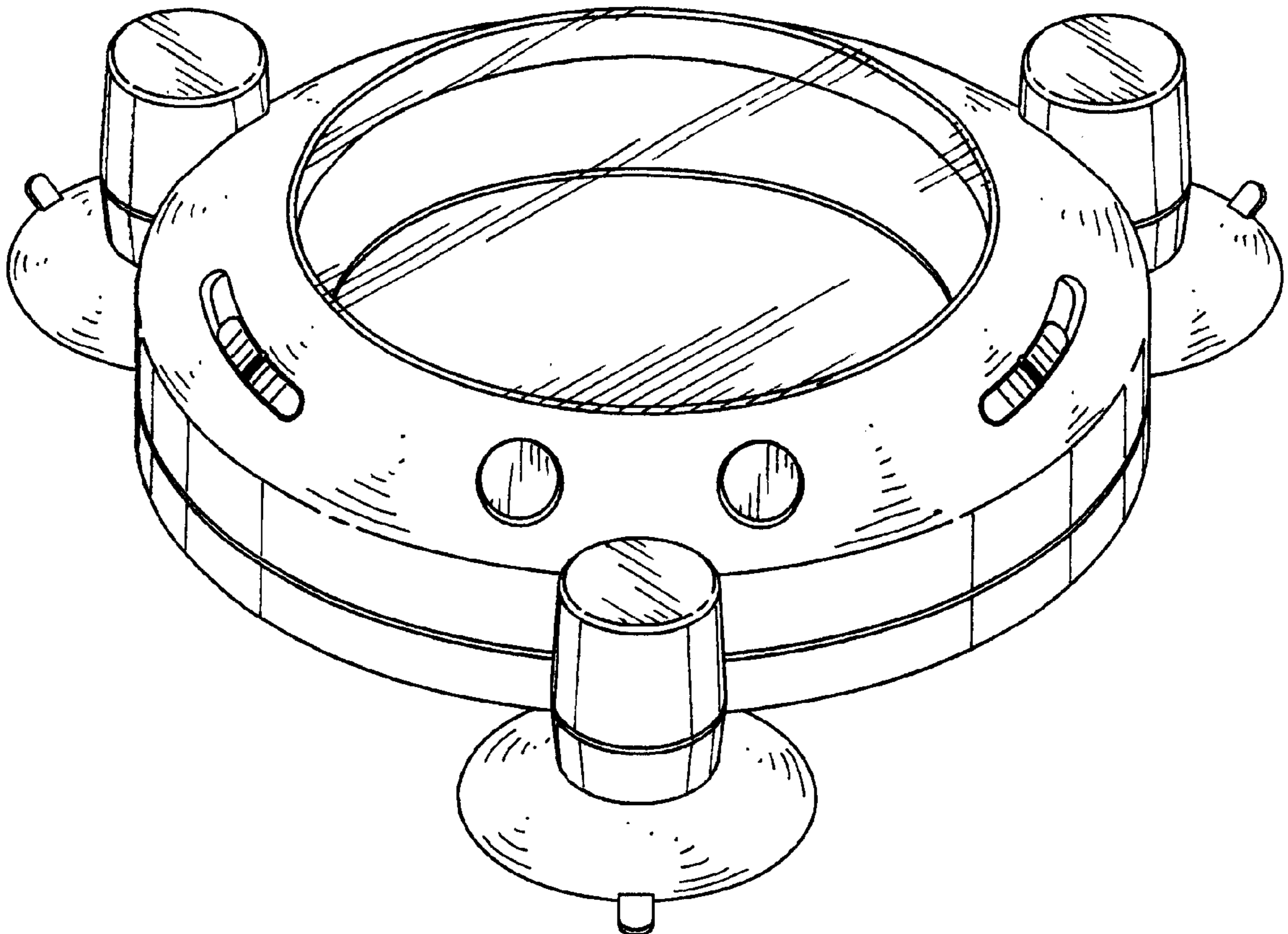
FIG. 5 is a rear elevational view thereof;

FIG. 6 is a left side elevational view thereof; and,

FIG. 7 is a right side elevational view thereof.

The portions shown in broken lines are included for illustrative purposes only and form no part of the claimed design.

1 Claim, 4 Drawing Sheets



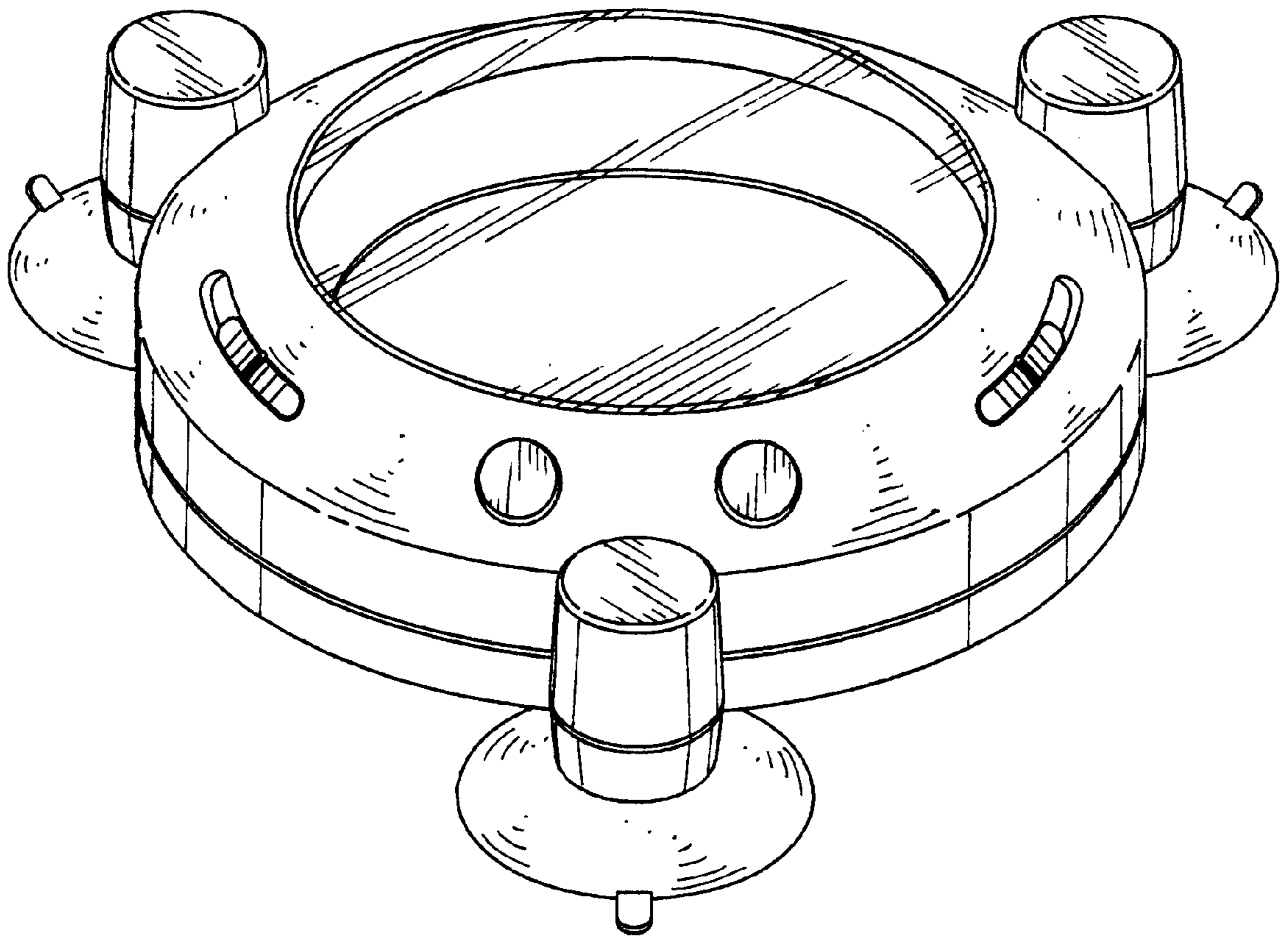


FIG. 1

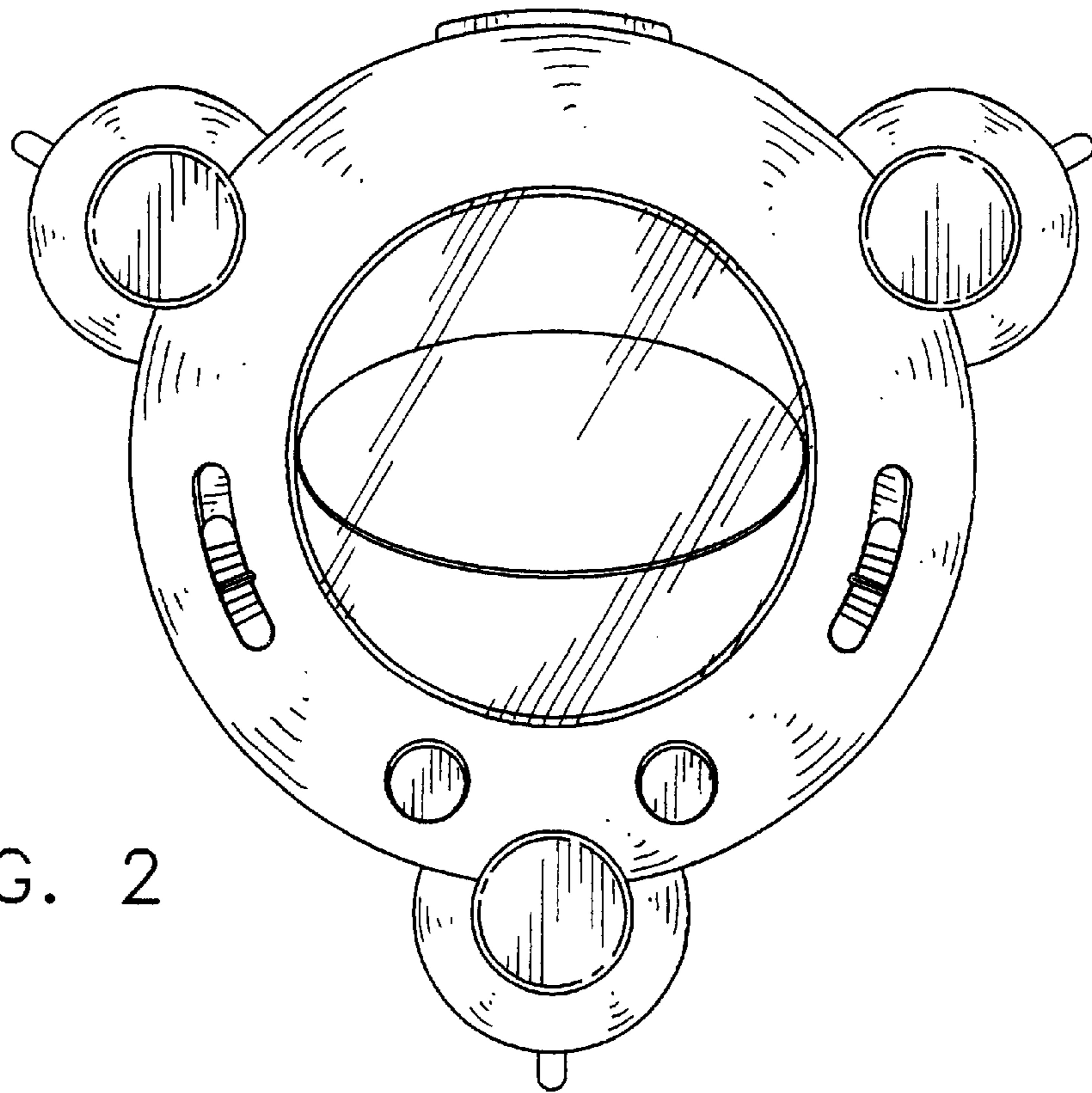


FIG. 2

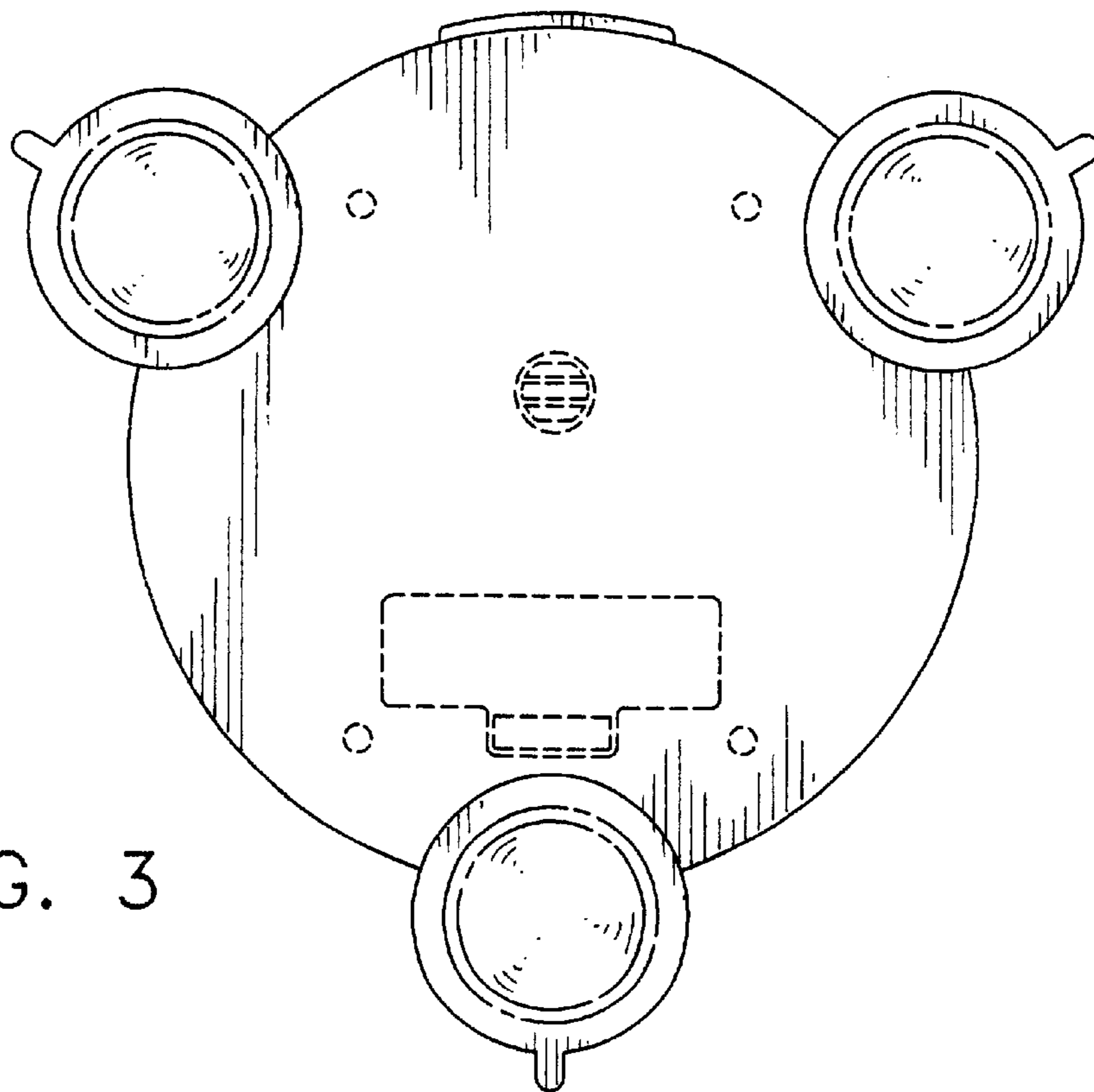


FIG. 3

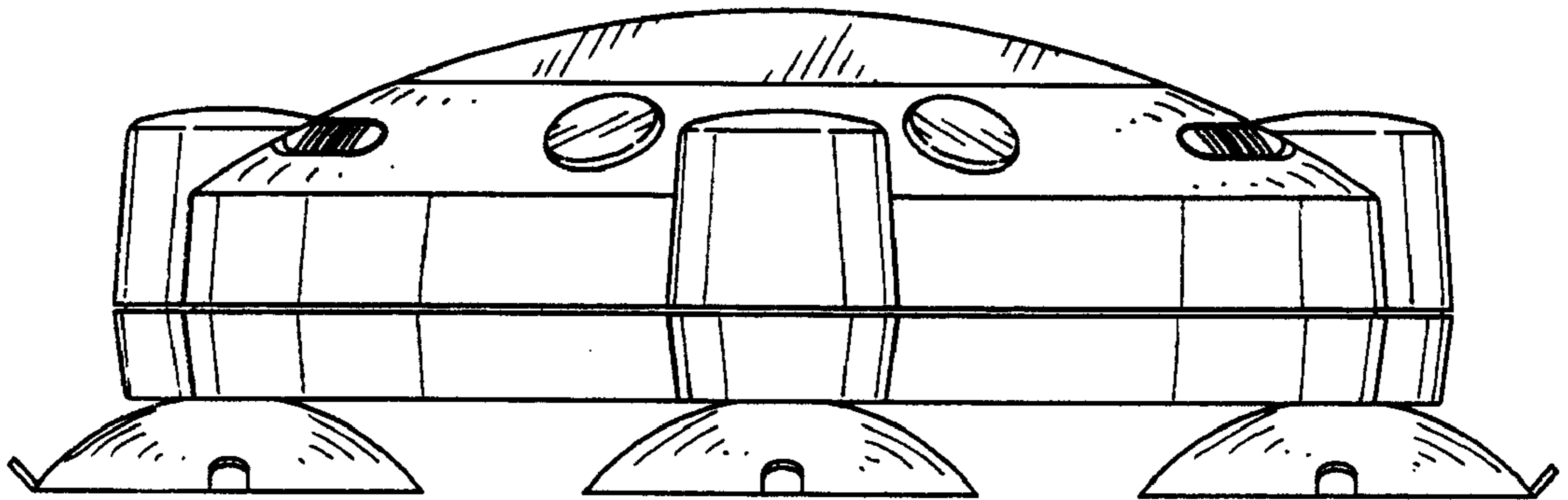


FIG. 4

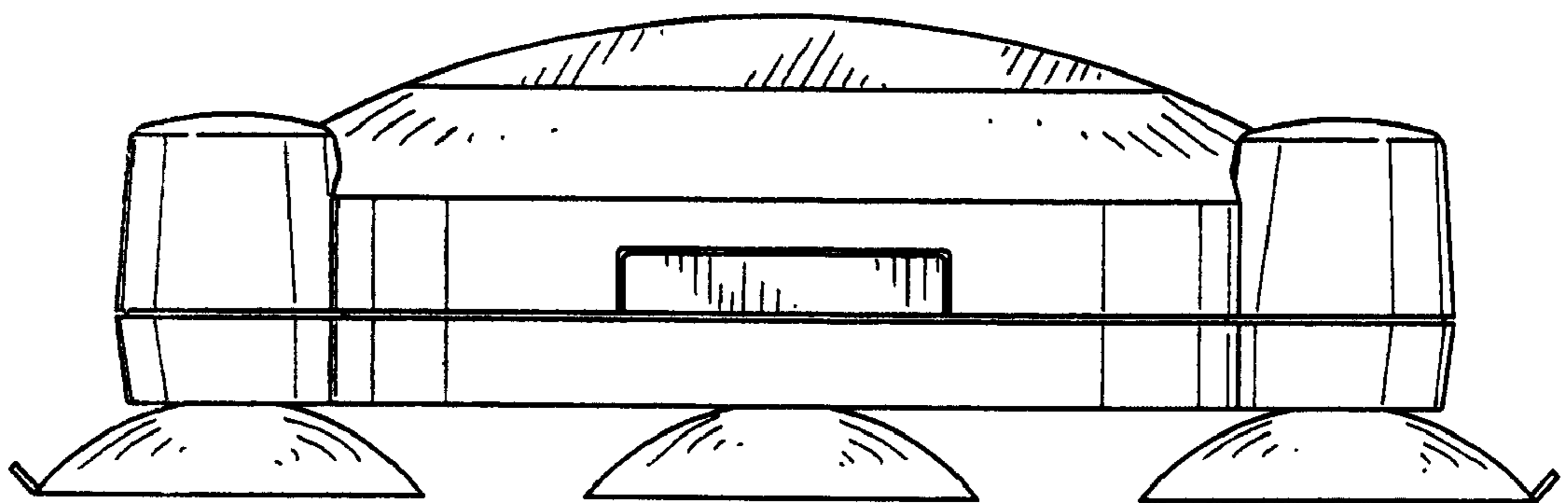


FIG. 5

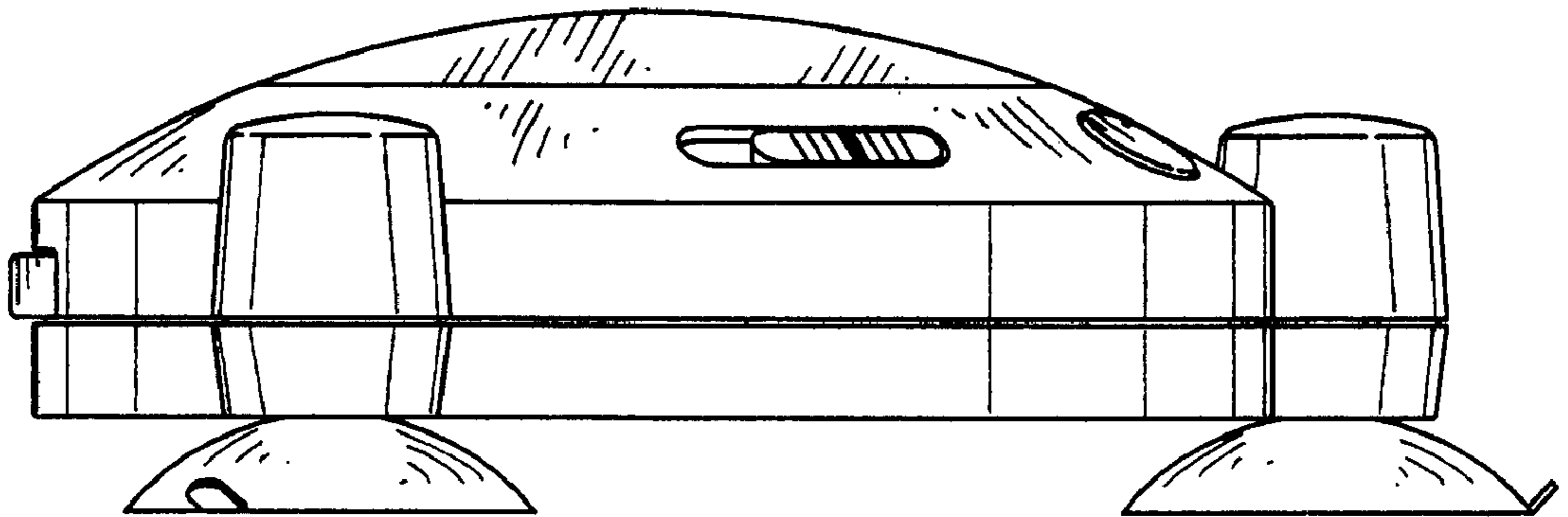


FIG. 6

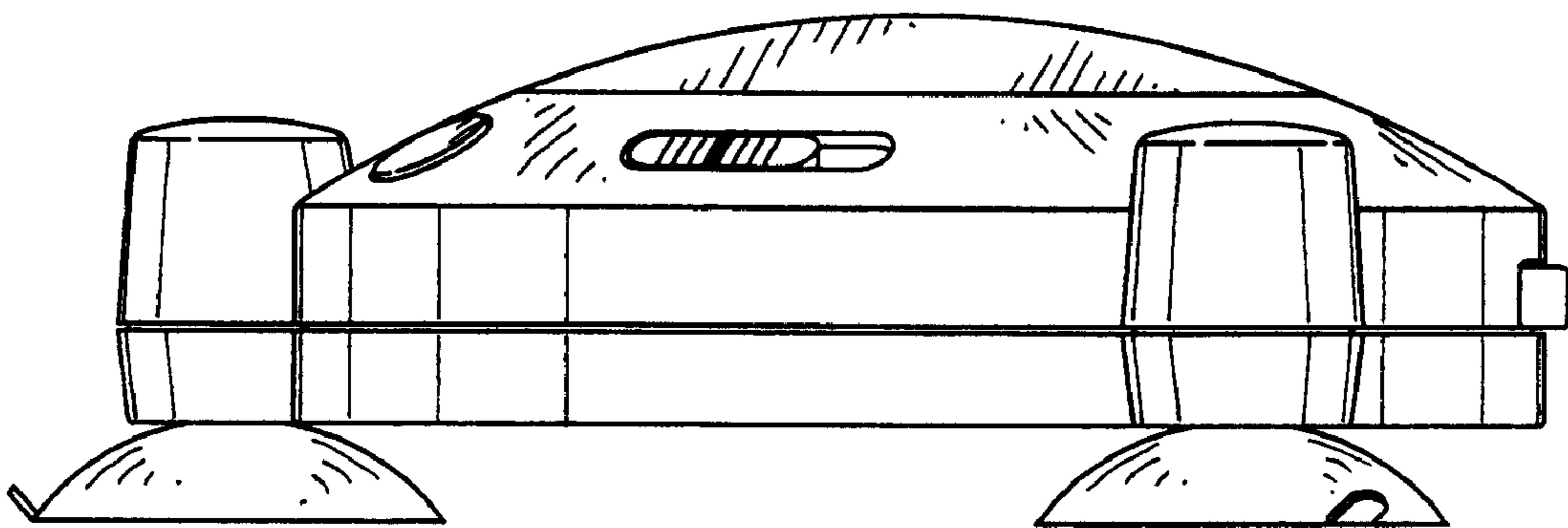


FIG. 7