



US00D452823B1

(12) **United States Design Patent**
Bezek et al.

(10) **Patent No.: US D452,823 S**

(45) **Date of Patent: ** *Jan. 8, 2002**

(54) **SNACK PACKAGING**

(75) Inventors: **Edward Anthony Bezek**, Frisco; **David Charlton McFadden, III**, Dallas, both of TX (US)

(73) Assignee: **Recot, Inc.**, Pleasanton, CA (US)

(*) Notice: This patent is subject to a terminal disclaimer.

(**) Term: **14 Years**

(21) Appl. No.: **29/143,612**

(22) Filed: **Jun. 14, 2001**

(51) **LOC (7) Cl. 09-03**

(52) **U.S. Cl. D9/502; D9/503; D9/518; D9/337**

(58) **Field of Search D7/12.1-12.2, D7/510-512; D9/307, 500, 502-505, 511, 513, 516, 518, 529-530, 539-542, 549, 558, 569, 574; 215/6, 381-384, 396, 398; 220/906; 423/43, 115, 120, 264, 583-584**

(56) **References Cited**

U.S. PATENT DOCUMENTS

D60,556 S	3/1922	Marble	
D90,433 S	* 8/1933	Borokoff D9/502
2,076,132 A	4/1937	Le Rose	
2,085,979 A	7/1937	Hothersall	
2,121,041 A	6/1938	Morgan	
2,297,285 A	9/1942	Bledsoe	
2,346,417 A	4/1944	Cornwell et al.	
2,355,044 A	8/1944	Almgren	
D149,178 S	* 4/1948	Genske D9/505
2,533,349 A	12/1950	Burger	
2,543,427 A	2/1951	Warne	
2,619,245 A	11/1952	Levi	
2,780,379 A	2/1957	Ferguson	
D187,162 S	2/1960	Lerner et al.	
3,021,977 A	2/1962	Hester	
D192,334 S	3/1962	Eicholtz	
D199,413 S	10/1964	Levinson	

D208,222 S	8/1967	Slomski	
D212,589 S	* 11/1968	Roberts D9/503
D212,871 S	12/1968	Anderson	
3,469,727 A	9/1969	Acton	
3,506,459 A	* 4/1970	Parlour 426/120
D222,336 S	10/1971	Leary	
3,760,968 A	9/1973	Amberg et al.	

(List continued on next page.)

FOREIGN PATENT DOCUMENTS

FR	2646071	4/1989
WO	WO 92/04243	3/1992

OTHER PUBLICATIONS

Advertisement by Land O' Lakes showing a personal size container for beverages, trademarked as the "Grip". It also has a resealable top. "Grip and Go Milk".

Primary Examiner—Ted Shooman

Assistant Examiner—Carol Rademaker

(74) *Attorney, Agent, or Firm*—Carstens, Yee & Cahoon; Colin P. Cahoon

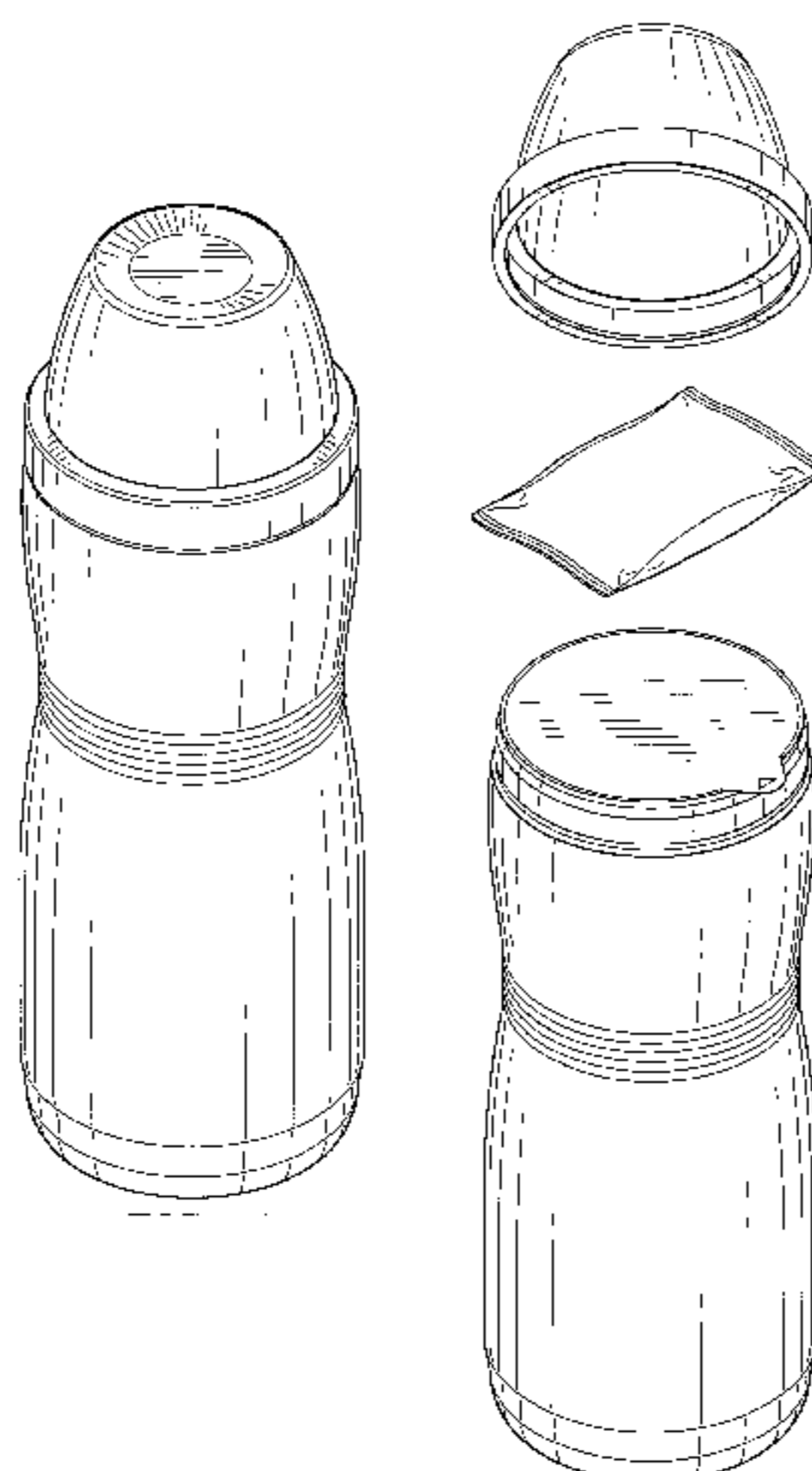
(57) **CLAIM**

The ornamental design for a snack packaging, as shown and described.

DESCRIPTION

FIG. 1 is a top perspective view of the snack packaging of the present invention;
FIG. 2 is a side view of the snack packaging of the present invention;
FIG. 3 is a top view of the snack packaging of the present invention;
FIG. 4 is bottom view of the snack packaging of the present invention;
FIG. 5 is a bottom perspective view of the snack packaging of the present invention; and,
FIG. 6 is a perspective view of the snack packaging of the present invention, shown in exploded condition and showing the flexible pouch.

1 Claim, 3 Drawing Sheets



US D452,823 S

Page 2

U.S. PATENT DOCUMENTS

3,967,756 A	7/1976	Barish	D338,831 S	8/1993	Osip et al.
4,054,220 A	10/1977	Rosenstein	D345,695 S	4/1994	Frazer et al.
D246,896 S	1/1978	Plummer	D353,328 S	12/1994	Nuffer
D247,471 S	3/1978	Strand	D365,021 S	12/1995	Park
D247,472 S	3/1978	Byrne	D371,304 S	7/1996	Onneweer
D247,847 S	5/1978	Kretz	D375,655 S	* 11/1996	King D7/510 X
4,190,168 A	2/1980	Jacques	D381,042 S	7/1997	Roche
D254,840 S	4/1980	Aldrich, III	5,807,597 A	* 9/1998	Barnes et al. 426/234
RE30,805 E	11/1981	Rhoads	D405,372 S	2/1999	Yucknut
D263,685 S	4/1982	Smith	D408,689 S	4/1999	Kato
D266,648 S	10/1982	Plewes et al.	D409,451 S	5/1999	Kato et al.
4,483,890 A	11/1984	Beery et al.	6,006,945 A	12/1999	Kirkland
D285,656 S	9/1986	Champion	D418,758 S	1/2000	Yucknut
4,669,640 A	6/1987	Ando et al.	6,060,088 A	* 5/2000	Akimoto 426/115 X
4,830,273 A	5/1989	Kalberer et al.	6,068,865 A	* 5/2000	Lee et al. 426/43
4,883,935 A	* 11/1989	Fairchild et al. 219/734	D427,427 S	7/2000	Davis
4,934,590 A	6/1990	Robichaud et al.	D428,813 S	8/2000	Haley
D321,649 S	11/1991	Lambe, Jr. et al.	D430,021 S	8/2000	Goettner
D322,570 S	12/1991	Nylander	D430,022 S	8/2000	Goetter
5,108,029 A	4/1992	Abrams et al.	D445,030 S	* 7/2001	Croft et al. D9/502
D328,710 S	8/1992	Deflander	D445,337 S	* 7/2001	Croft et al. D9/504
5,139,163 A	8/1992	Diaz	D447,057 S	* 8/2001	Bezek et al. D9/504
D331,362 S	12/1992	Andersson et al.	D447,418 S	* 9/2001	Bezek et al. D9/504
D333,268 S	2/1993	Arlinghaus et al.	D447,693 S	* 9/2001	Warner et al. D9/503

* cited by examiner

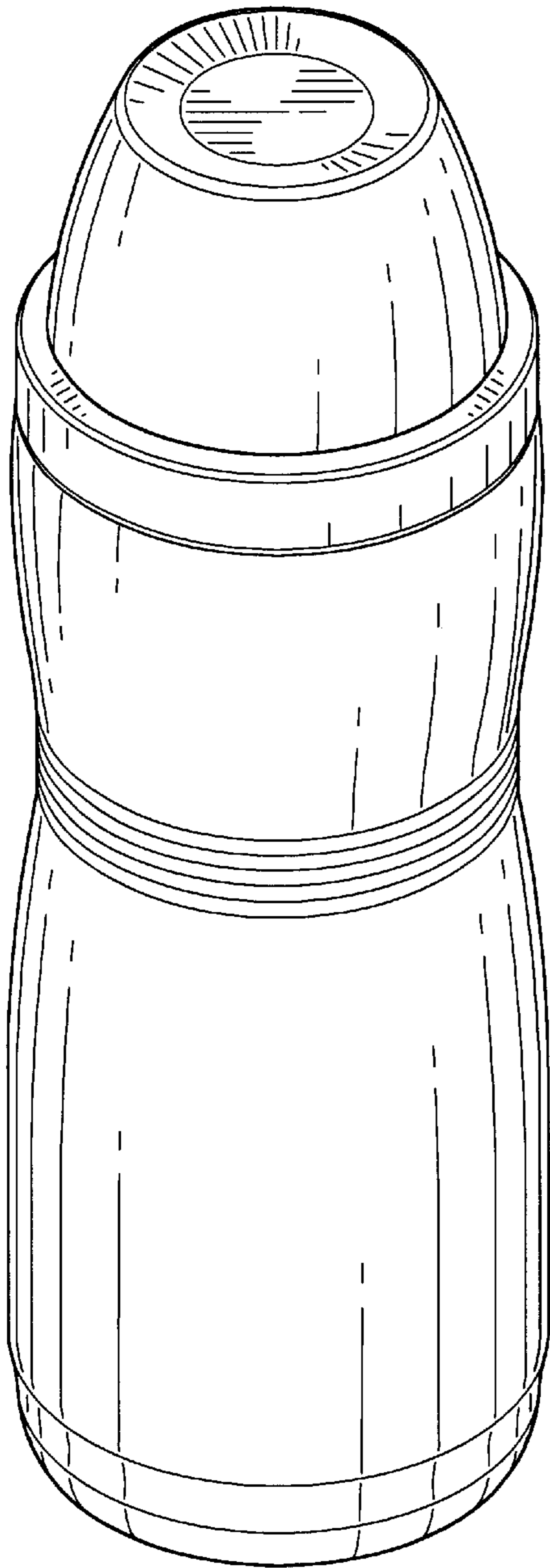


FIG. 1

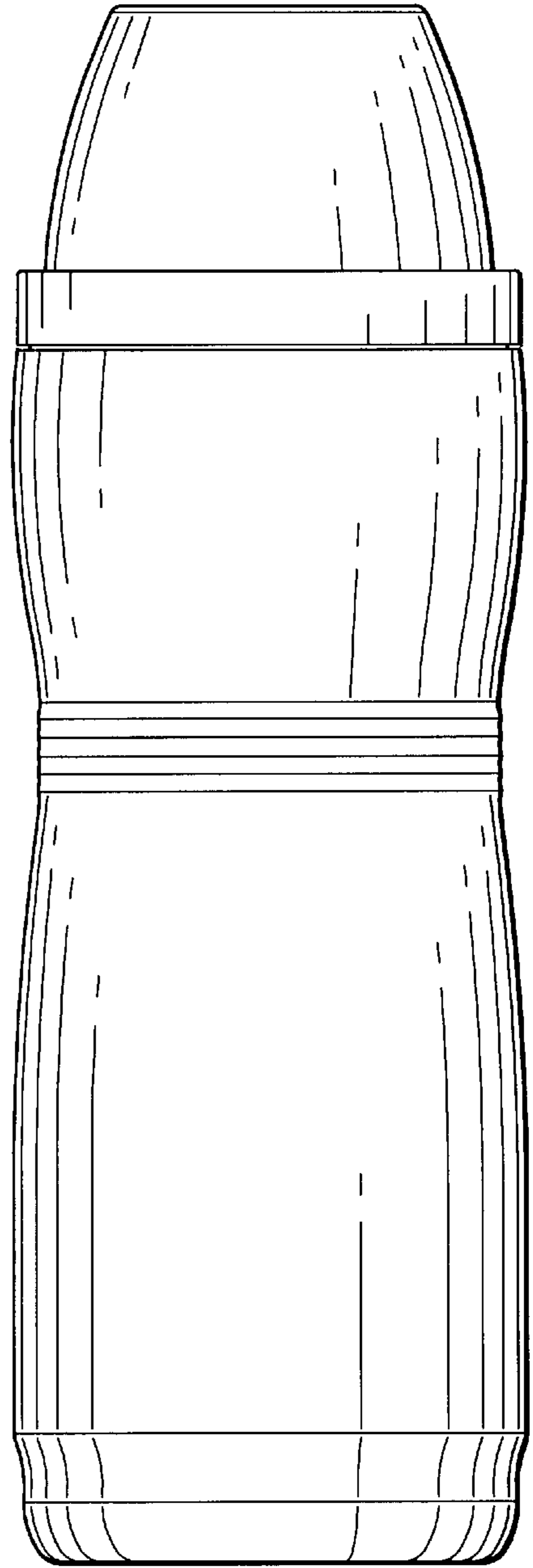


FIG. 2

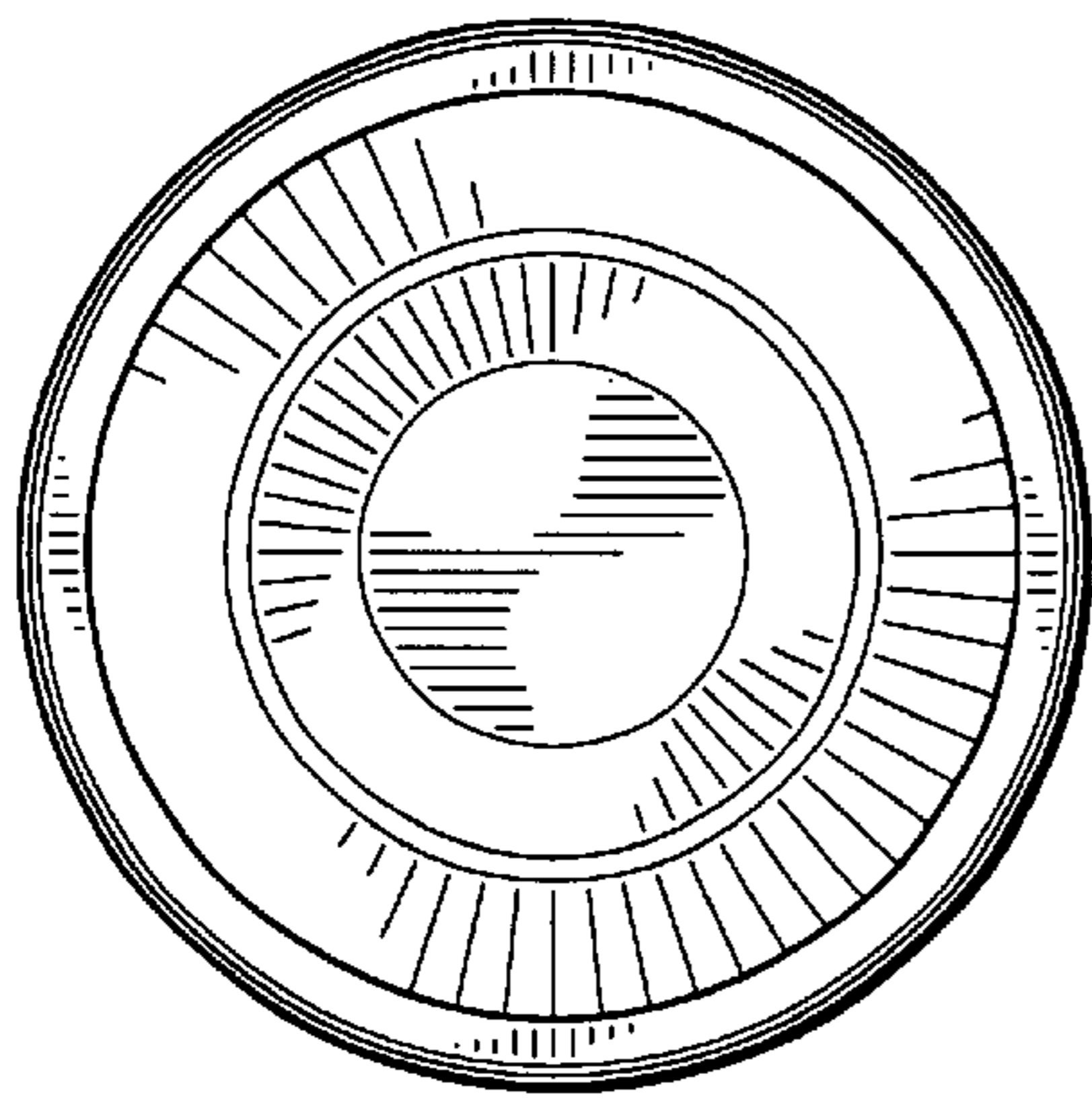


FIG. 3

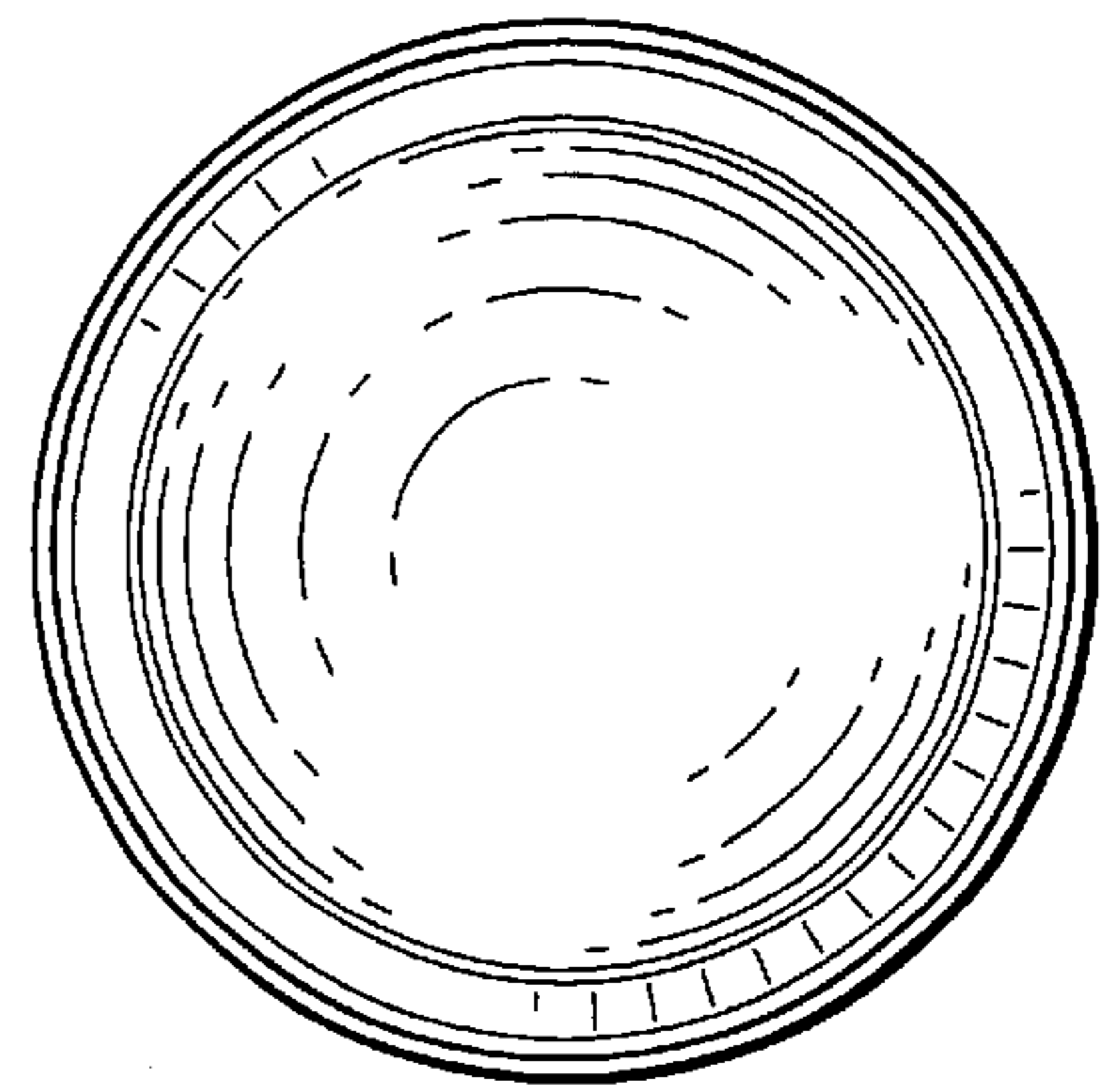


FIG. 4

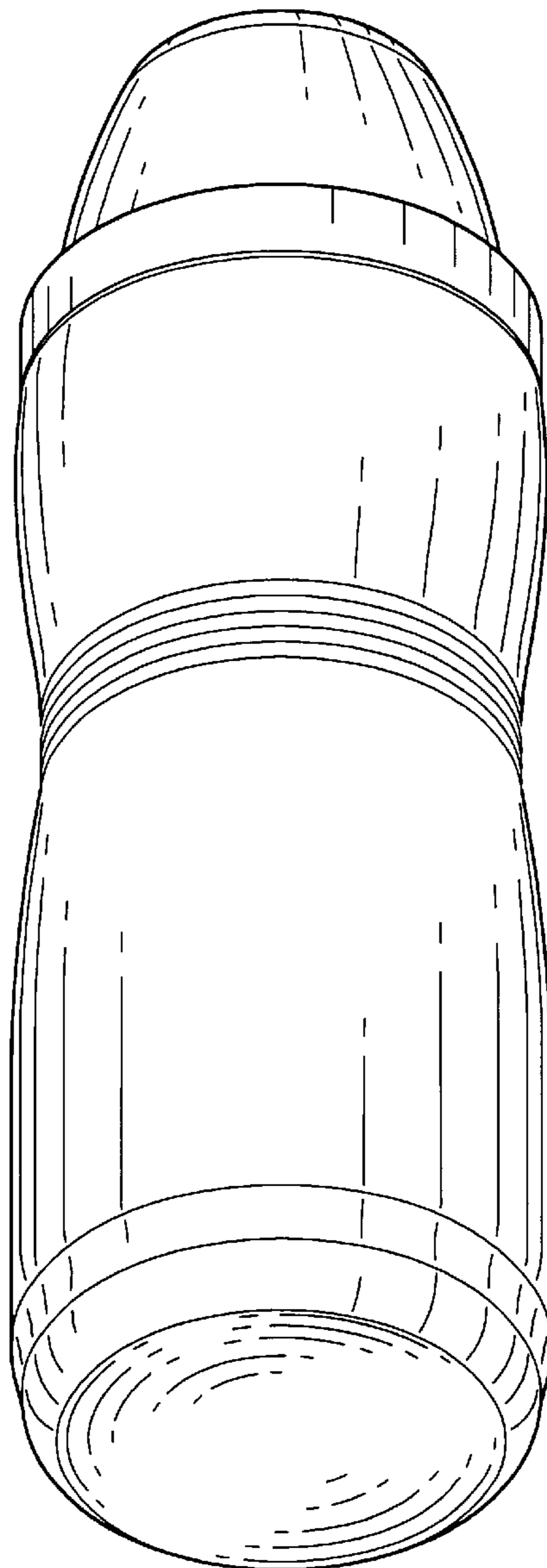


FIG. 5

