



US00D452822B1

(12) **United States Design Patent**
Boshuizen et al.

(10) **Patent No.:** **US D452,822 S**
(45) **Date of Patent:** **** Jan. 8, 2002**

(54) **FOAM DISPENSER**
(75) Inventors: **Sylvia Boshuizen**, Leiden; **Edgar van der Heijden**, Broek op Langedijk, both of (NL)

(73) Assignee: **Airspray International B.V.** (NL)

(**) Term: **14 Years**

(21) Appl. No.: **29/129,810**

(22) Filed: **Sep. 21, 2000**

(30) **Foreign Application Priority Data**

Mar. 22, 2000 (BX) 76920-01/03

(51) **LOC (7) Cl.** **09-07**

(52) **U.S. Cl.** **D9/448**

(58) **Field of Search** D9/300, 445, 447, D9/448; 222/153.1, 153.11, 153.12, 153.13, 153.14, 320, 321.1, 321.6, 321.7, 321.8, 321.9

(56) **References Cited**

U.S. PATENT DOCUMENTS

3,146,920 A * 9/1964 Benjamin 222/321.7
4,978,035 A * 12/1990 Morane et al. 222/108

4,991,746 A * 2/1991 Schultz 222/153.13
5,497,915 A * 3/1996 Wass 222/153.07
5,615,806 A * 4/1997 Grothoff 222/153.13
D392,887 S * 3/1998 Wadsworth D9/448
D404,293 S * 1/1999 Bertolini et al. D9/300
D418,418 S * 1/2000 Wadsworth D9/448
D441,654 S * 5/2001 Sayers D9/448

* cited by examiner

Primary Examiner—Cathron C. Brooks

(74) *Attorney, Agent, or Firm*—Brooks & Kushman P.C.

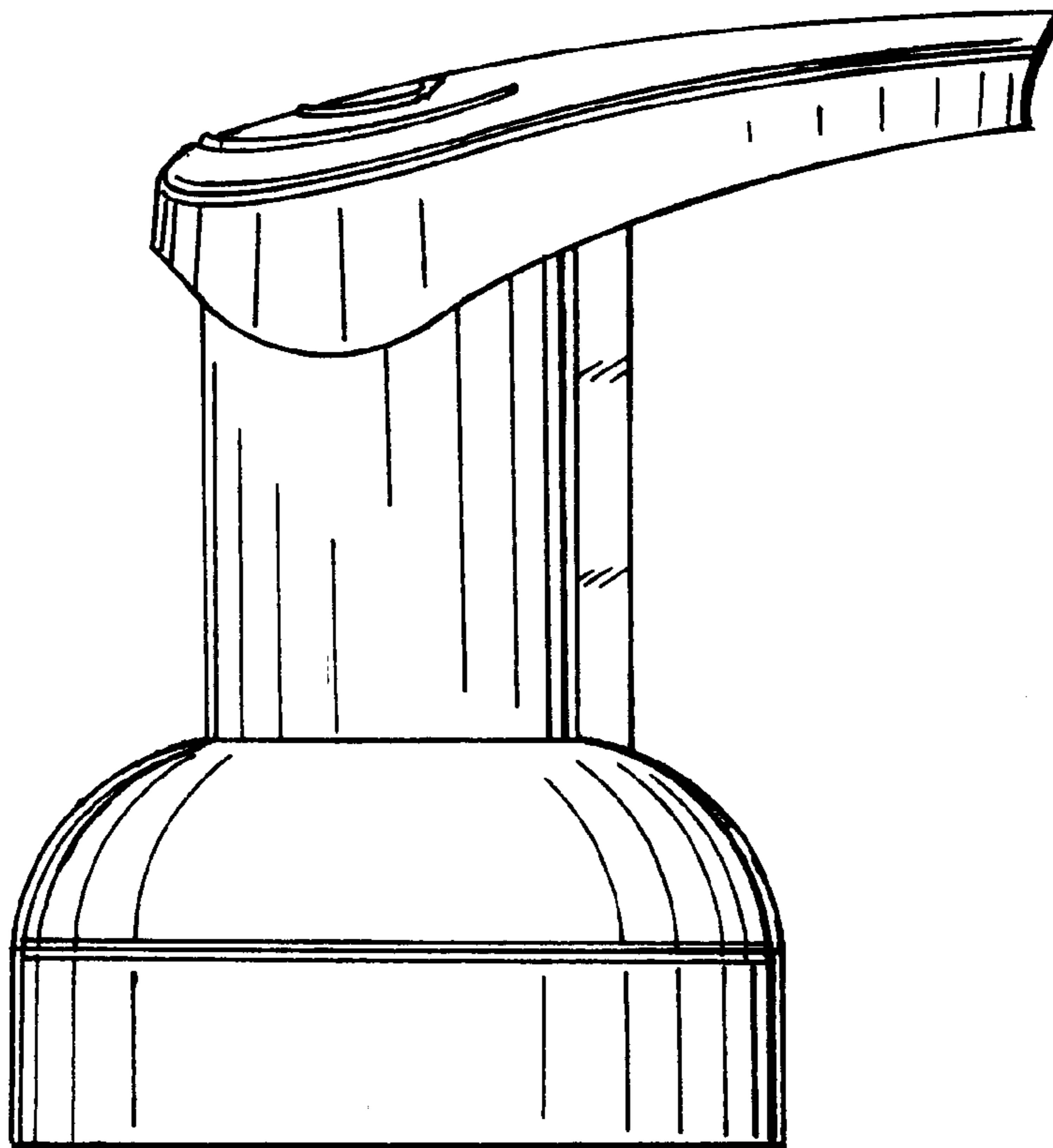
(57) **CLAIM**

The ornamental design for the foam dispenser, as shown and described.

DESCRIPTION

FIG. 1 is a side elevation of the foam dispenser including the canister;
FIG. 2 is a top view of the foam dispenser;
FIG. 3 is a side view of the foam dispenser;
FIG. 4 is a front view of the foam dispenser;
FIG. 5 is a rear view of the foam dispenser; and,
FIG. 6 is a perspective view of the foam dispenser.
The broken line showing of a canister is for illustrative purposes only and forms no part of the claimed design.

1 Claim, 2 Drawing Sheets



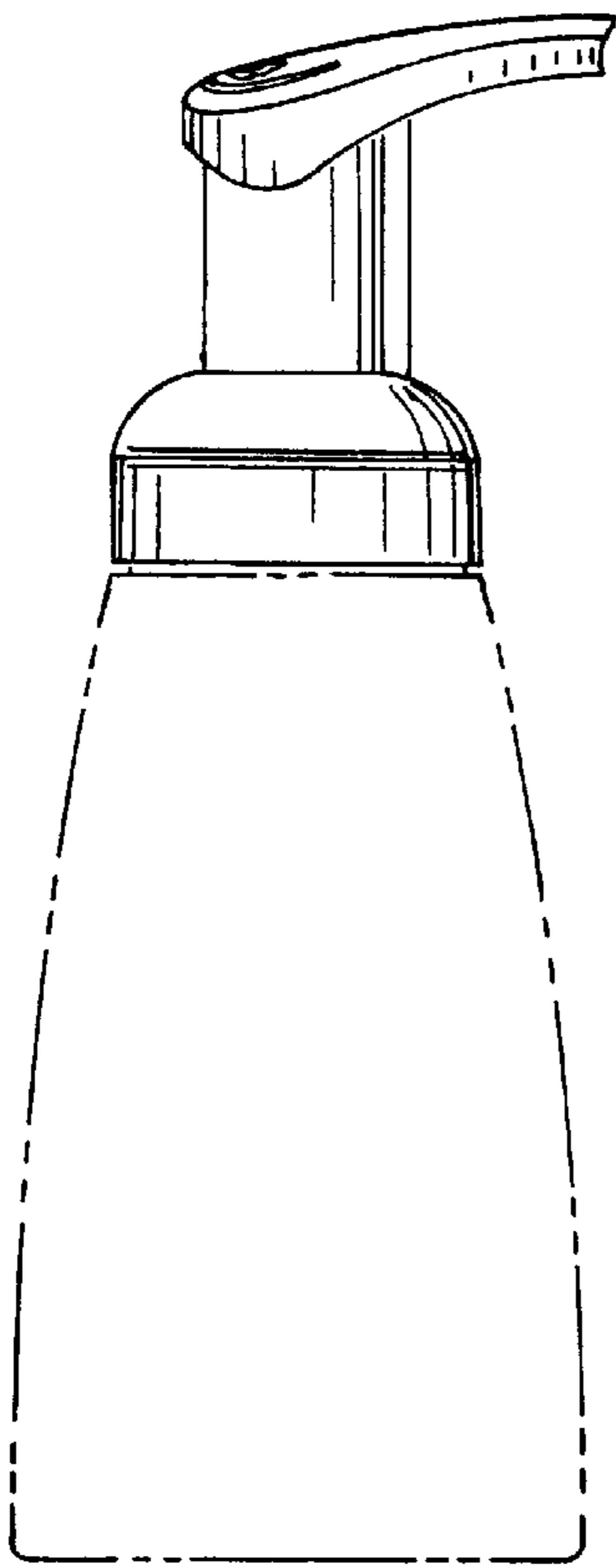


FIG. 1

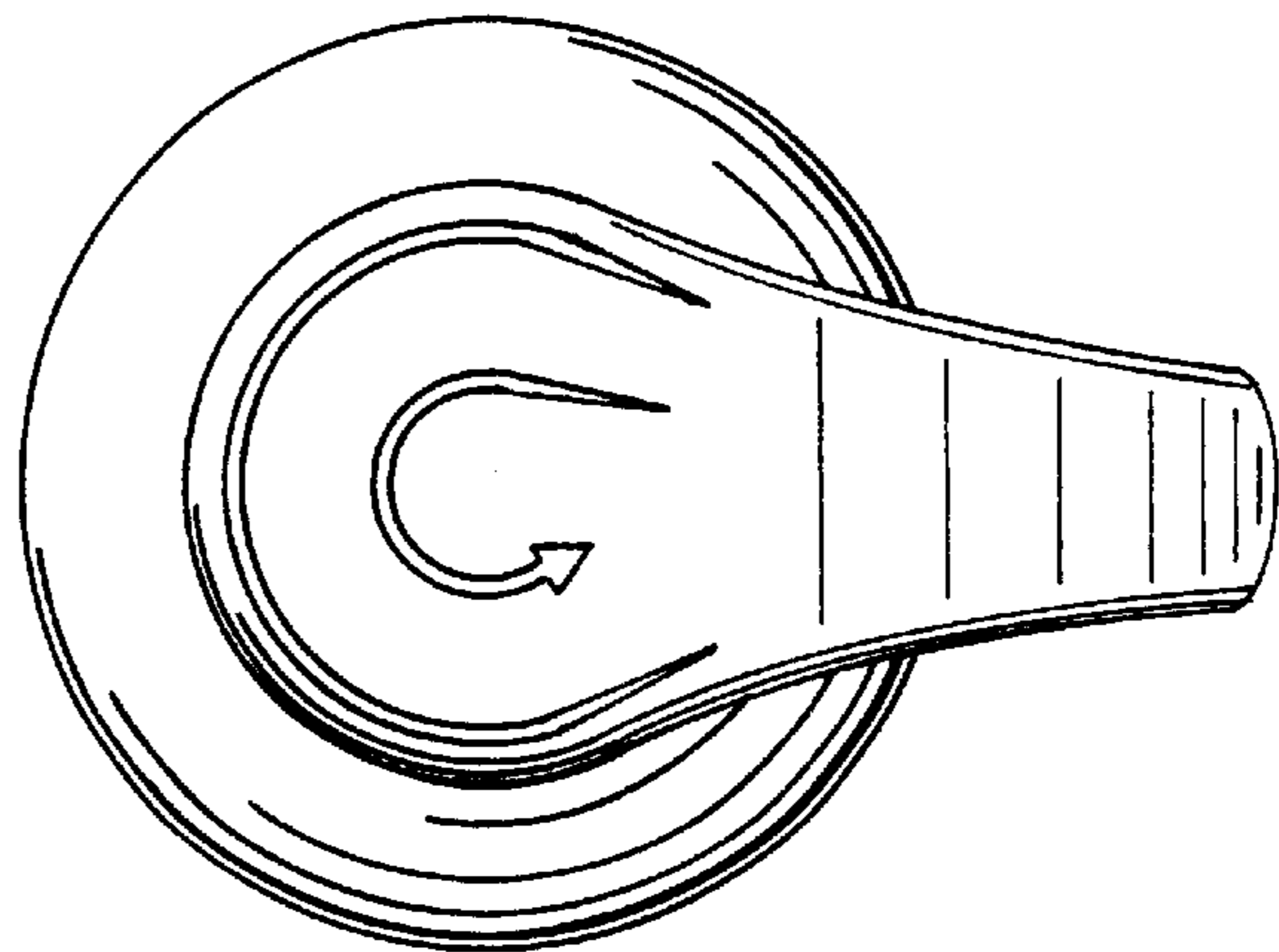


FIG. 2

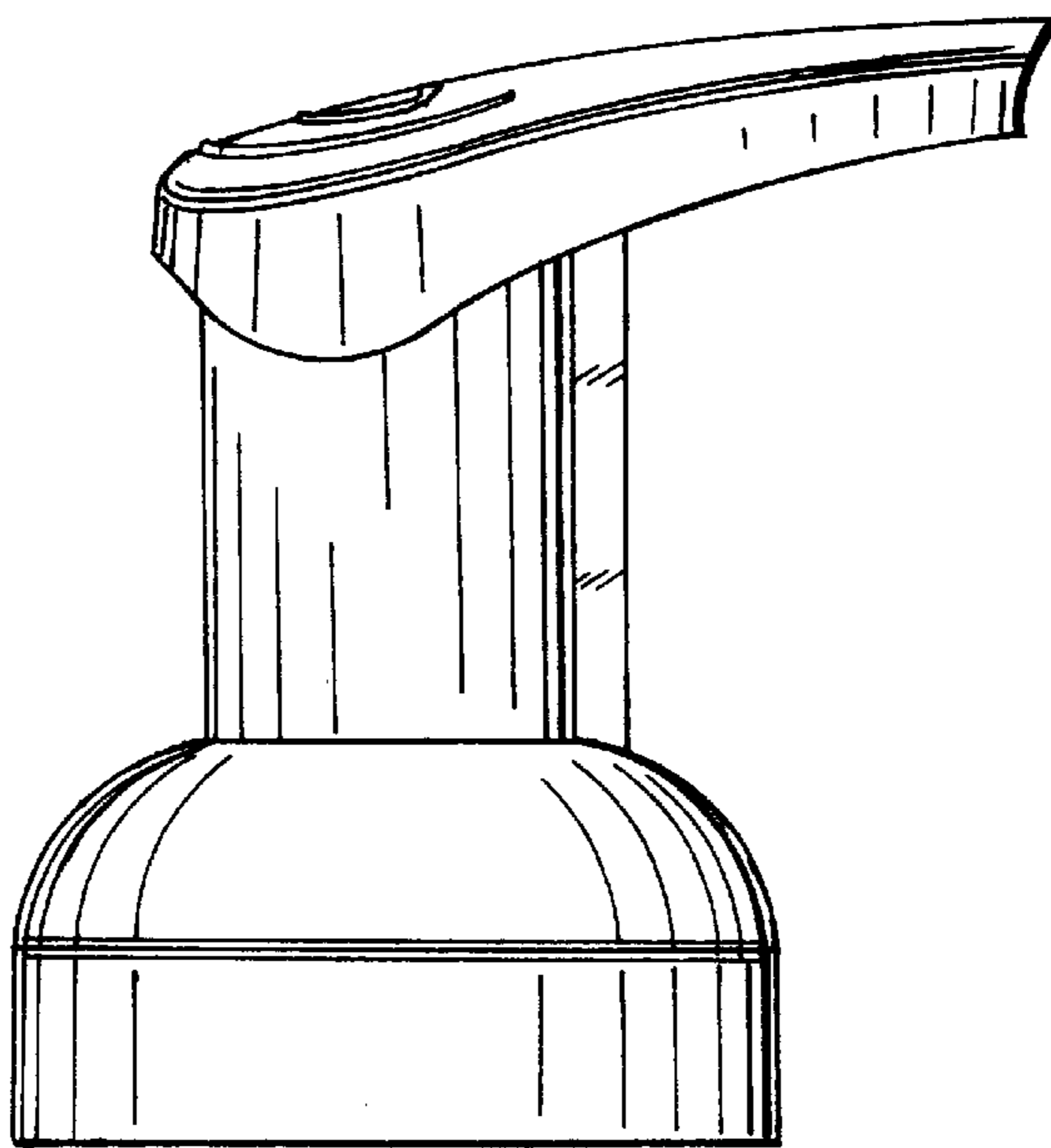


FIG. 3

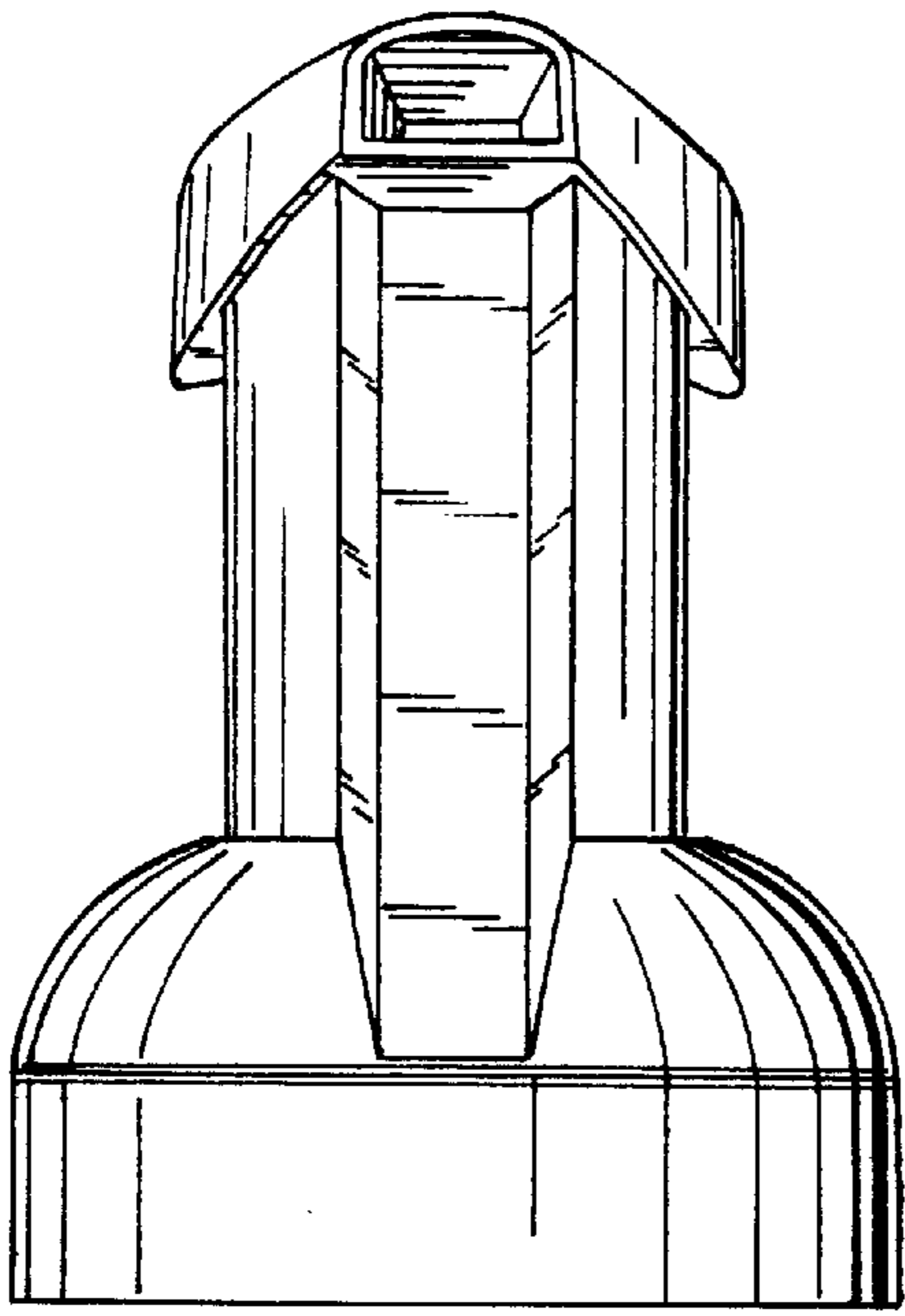


FIG. 4

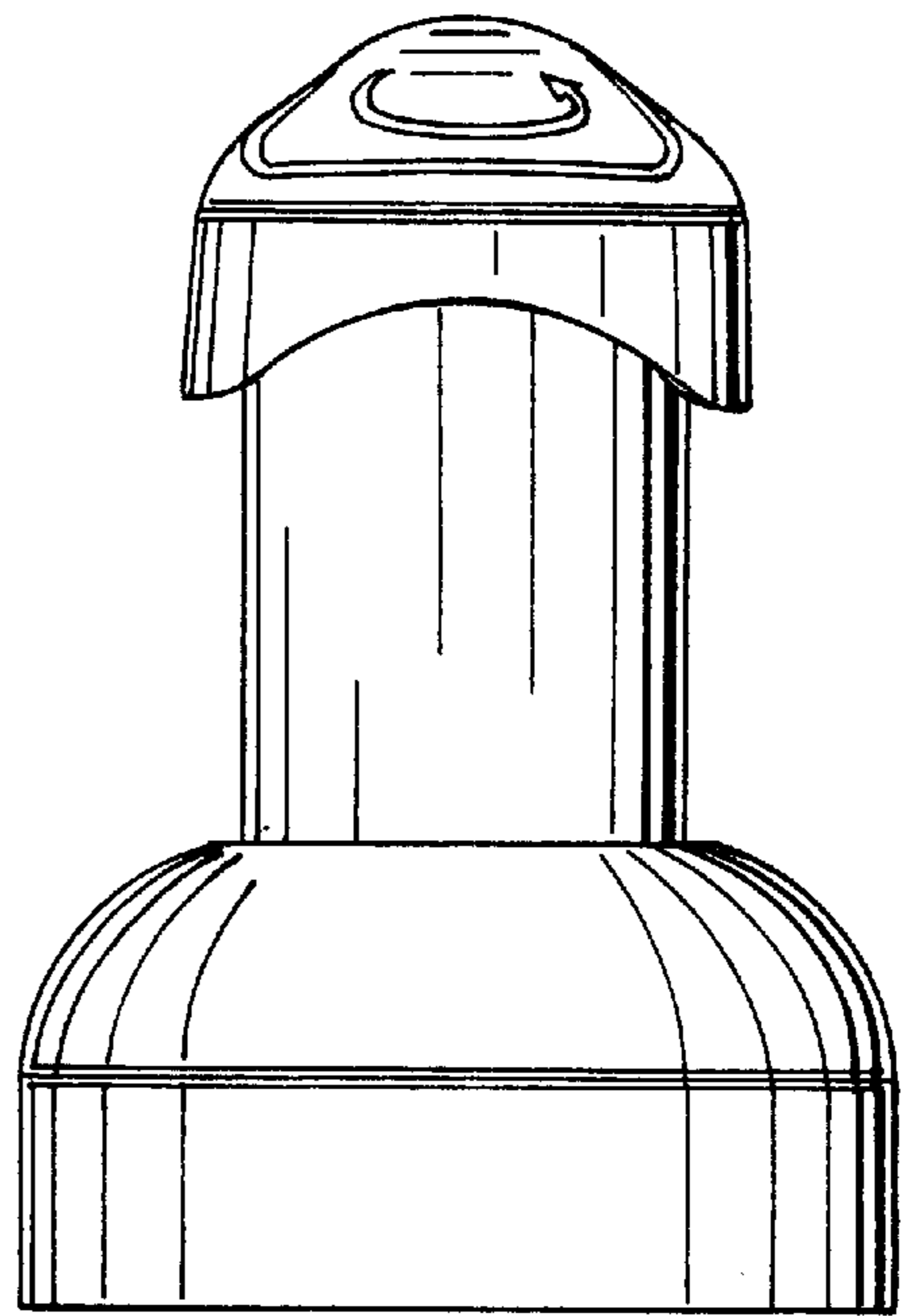


FIG. 5

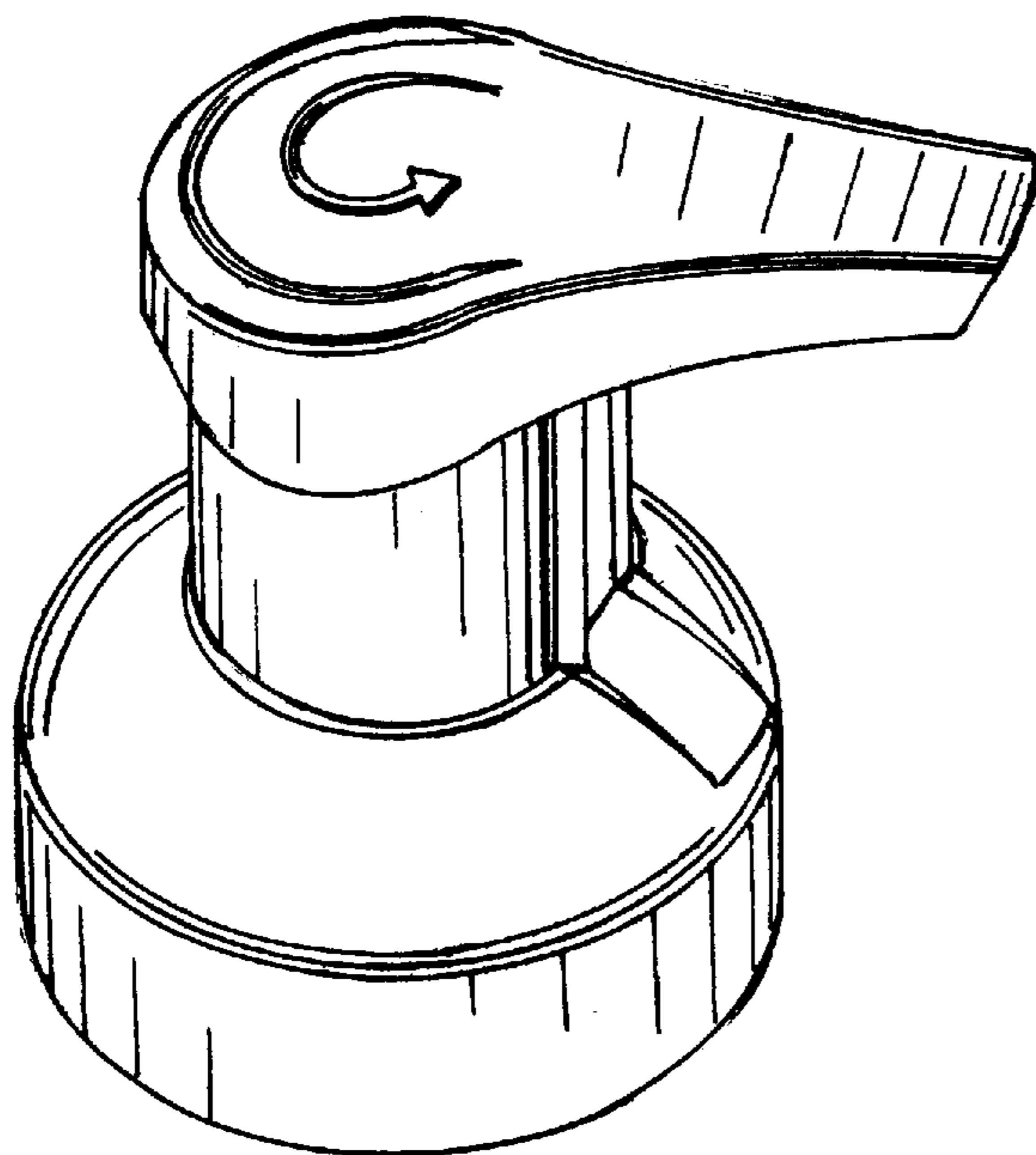


FIG. 6