



US00D452820B1

(12) **United States Design Patent**
Hacker

(10) **Patent No.:** **US D452,820 S**

(45) **Date of Patent:** **** Jan. 8, 2002**

- (54) **PRODUCT DISPLAY TRAY**
- (75) Inventor: **Mark G. Hacker**, Laguna Hills, CA (US)
- (73) Assignee: **One Source Industries, Inc.**, Irvine, CA (US)
- (**) Term: **14 Years**
- (21) Appl. No.: **29/125,253**
- (22) Filed: **Jun. 19, 2000**
- (51) **LOC (7) Cl.** **09-03**
- (52) **U.S. Cl.** **D9/342**
- (58) **Field of Search** D9/339-348, 430-432; 206/208, 352, 349, 555

- 3,212,636 * 10/1965 Bennett D9/346
- 3,232,397 * 2/1966 McCoy 206/555
- 5,372,299 12/1994 Edgerton, Jr. et al. .
- 5,979,662 11/1999 Green .

* cited by examiner

Primary Examiner—Raphael Barkai

(74) *Attorney, Agent, or Firm*—Knobbe, Martens, Olson & Bear, LLP

(57) **CLAIM**

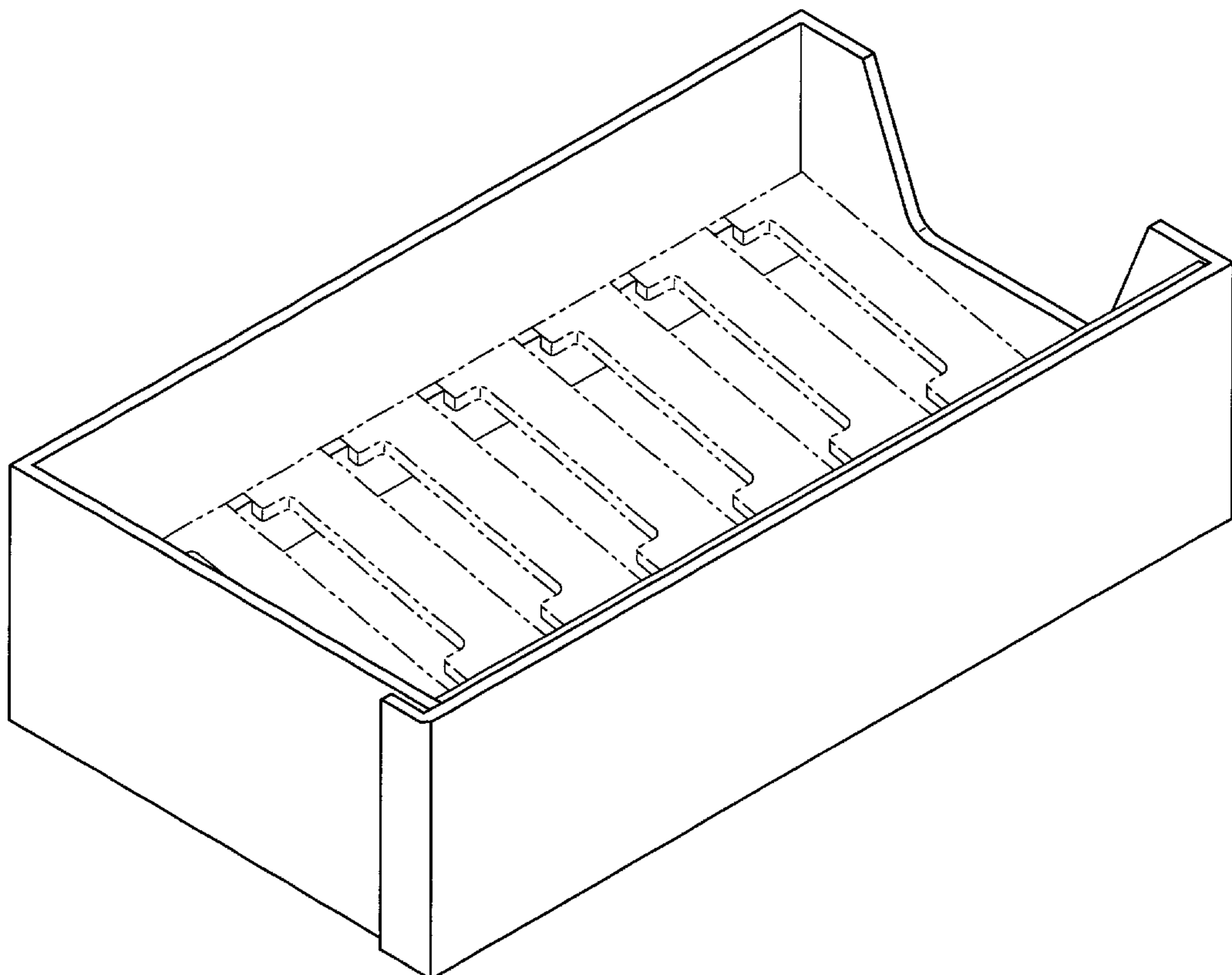
The ornamental design for a product display tray, as shown and described.

DESCRIPTION

FIG. 1 is a front, perspective view of a product display tray having slots for supporting product packages, with one example of a slot sizes illustrated;
 FIG. 2 is a left side elevational view thereof;
 FIG. 3 is a right side elevational view thereof;
 FIG. 4 is a back view thereof;
 FIG. 5 is a front view thereof;
 FIG. 6 is a top view thereof with the tray slots partially shown in phantom lines to illustrate the fact that slots of different sizes may be employed; and,
 FIG. 7 is a bottom view thereof.
 The broken lines shown in FIGS. 1 and 6 are for illustrative purposes only and form no part of the claimed design.

- (56) **References Cited**
- U.S. PATENT DOCUMENTS**
- D. 214,487 * 6/1969 Reichl D9/342
- D. 322,699 * 12/1991 Noe et al. D9/432
- D. 399,741 * 10/1998 Sheffer D9/432
- D. 412,631 8/1999 Green .
- 664,475 * 12/1900 Graves 206/349
- 1,764,216 6/1930 Laubenheimer .
- 2,034,885 * 3/1936 Simon 206/555
- 2,178,091 10/1939 Weiss .
- 2,330,927 * 10/1943 Rous et al. 206/45.29
- 3,208,583 9/1965 Kamps .

1 Claim, 4 Drawing Sheets



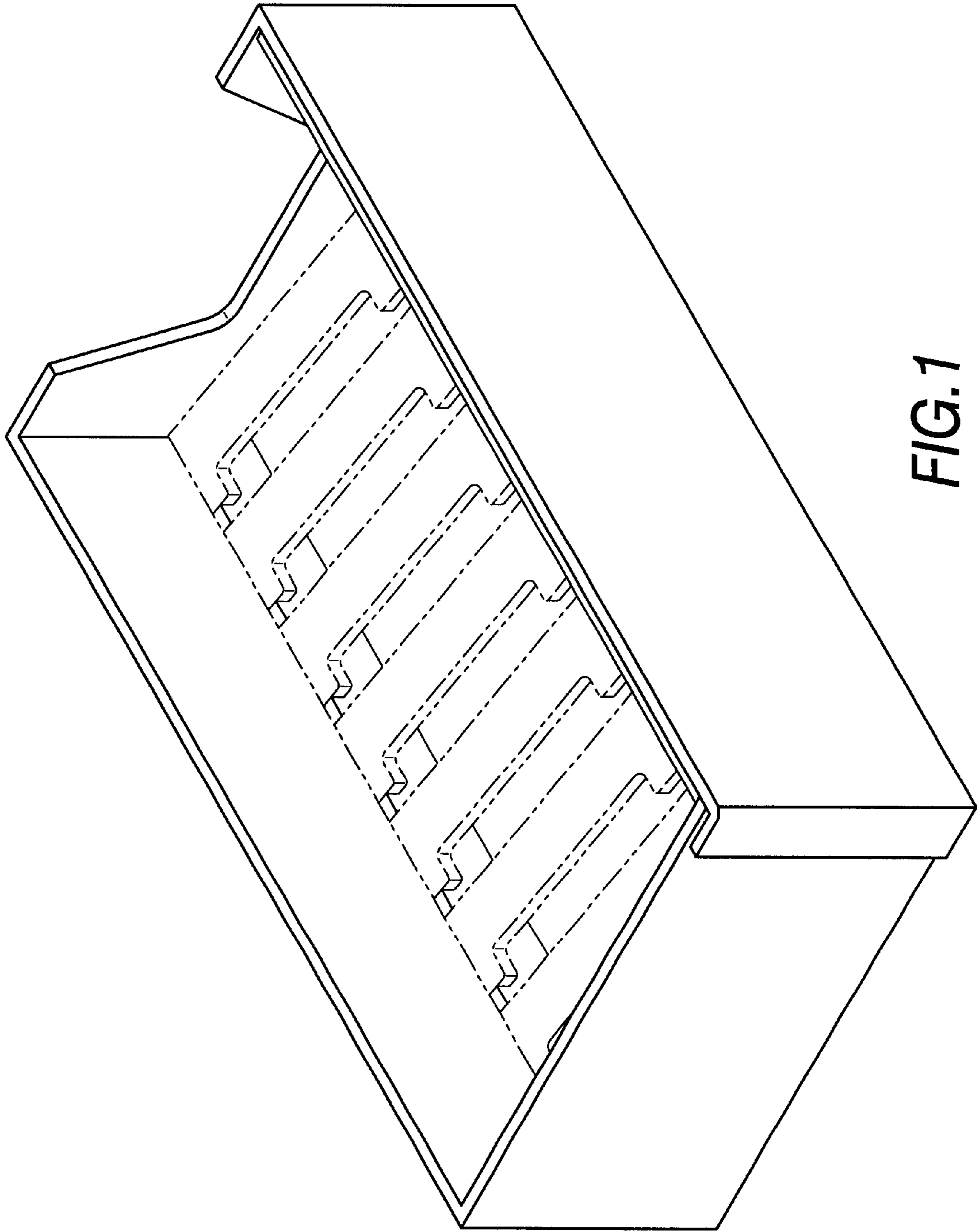


FIG. 1

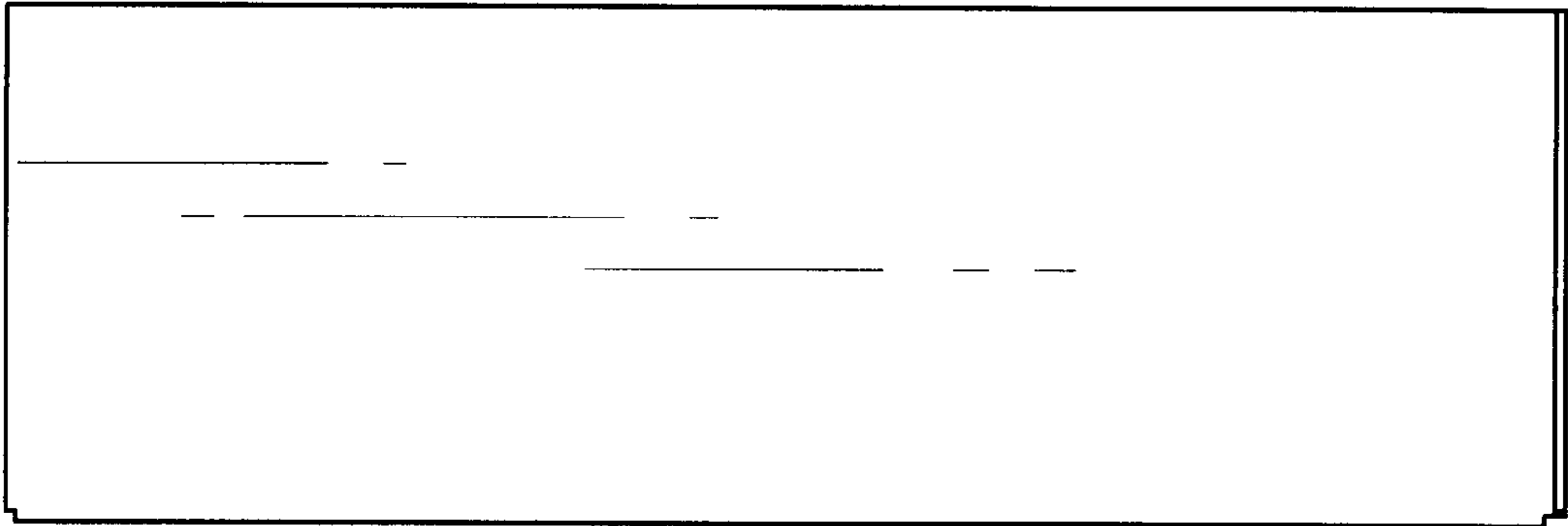


FIG. 2

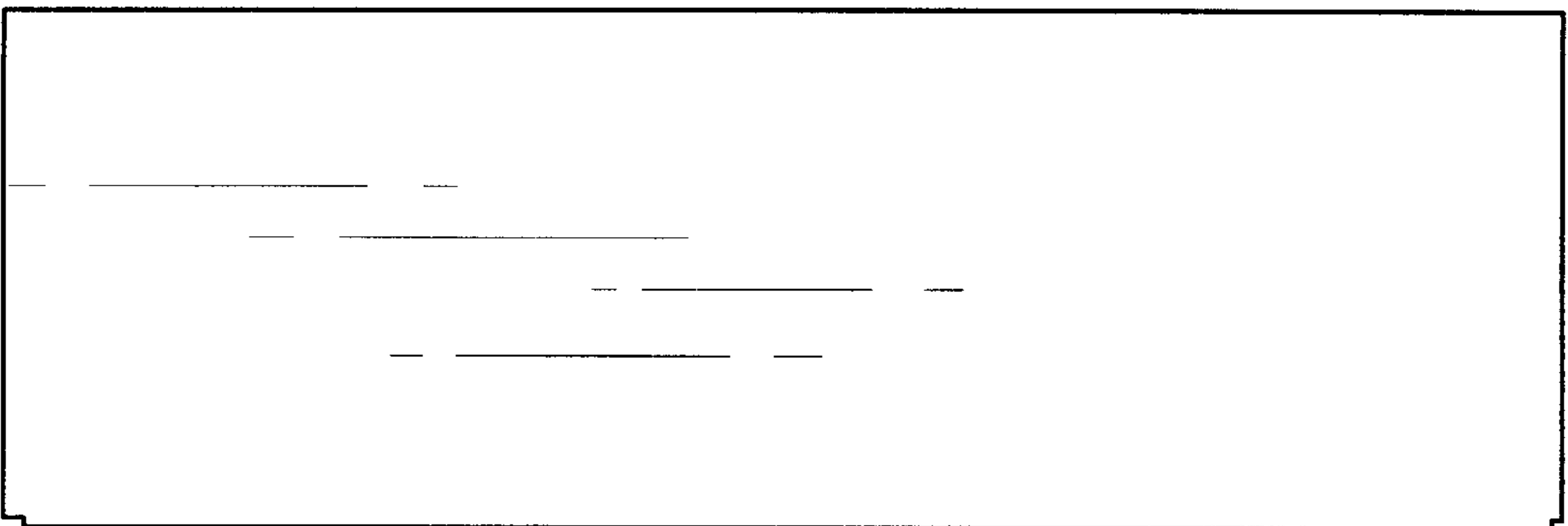


FIG. 3

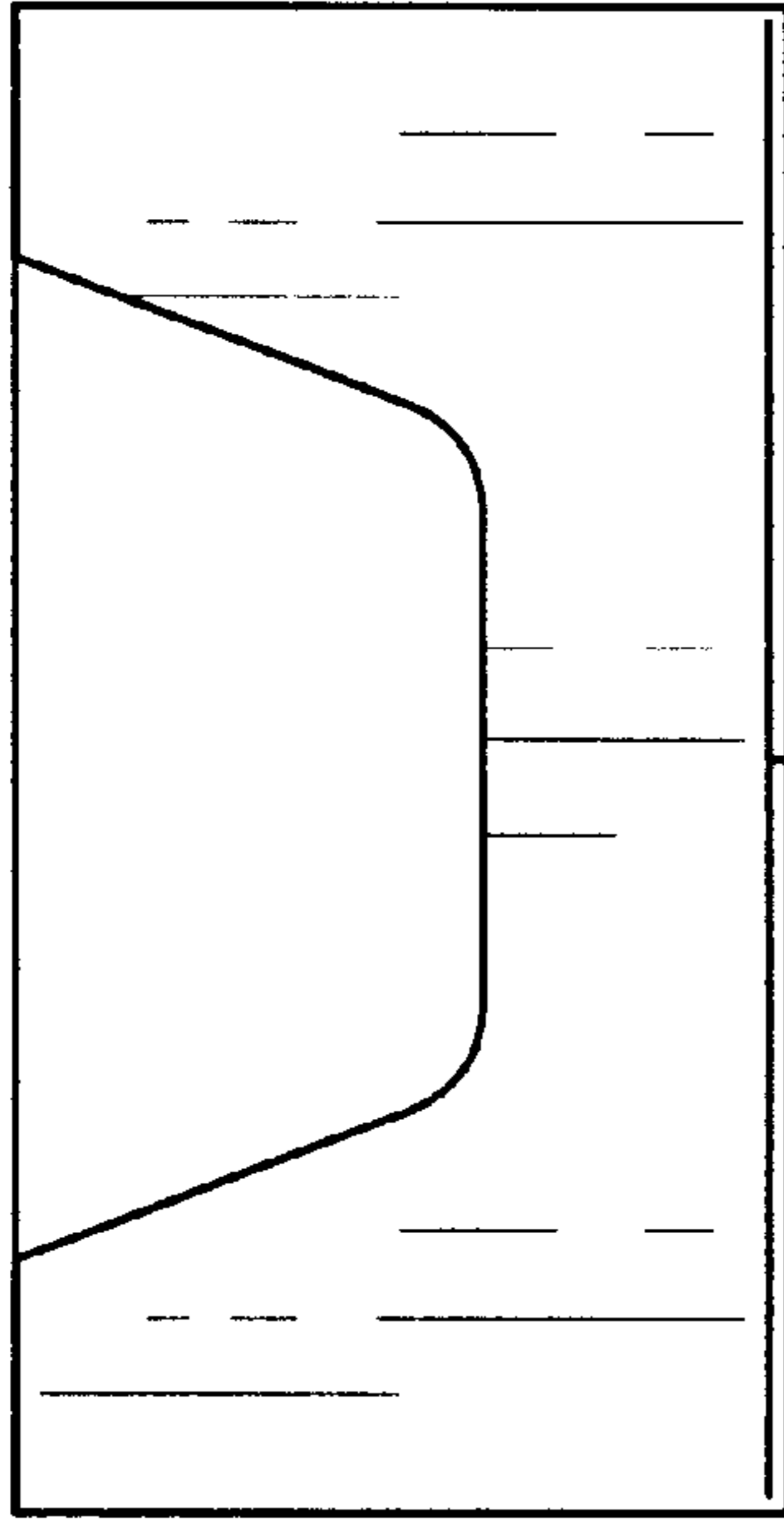


FIG. 5

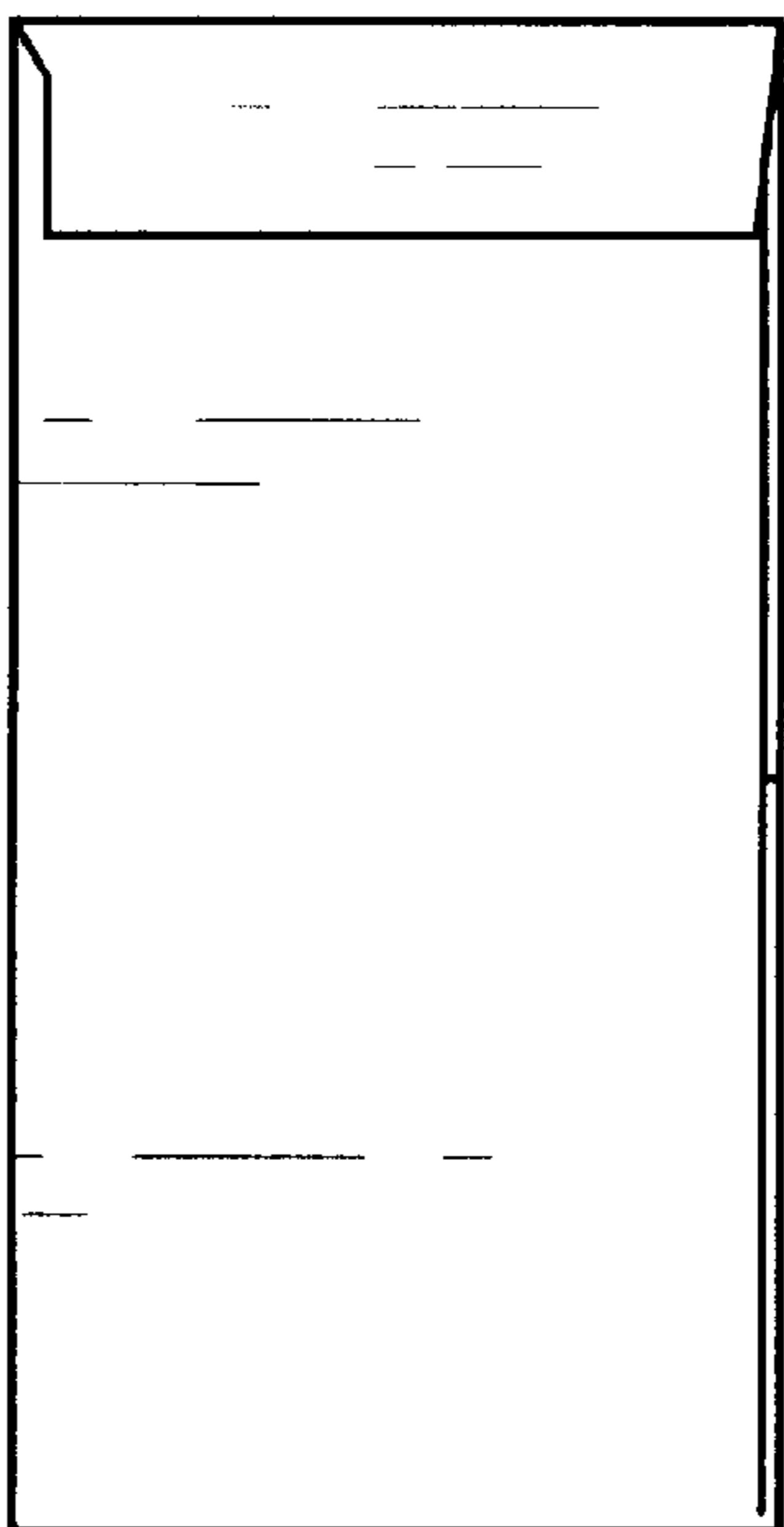


FIG. 4

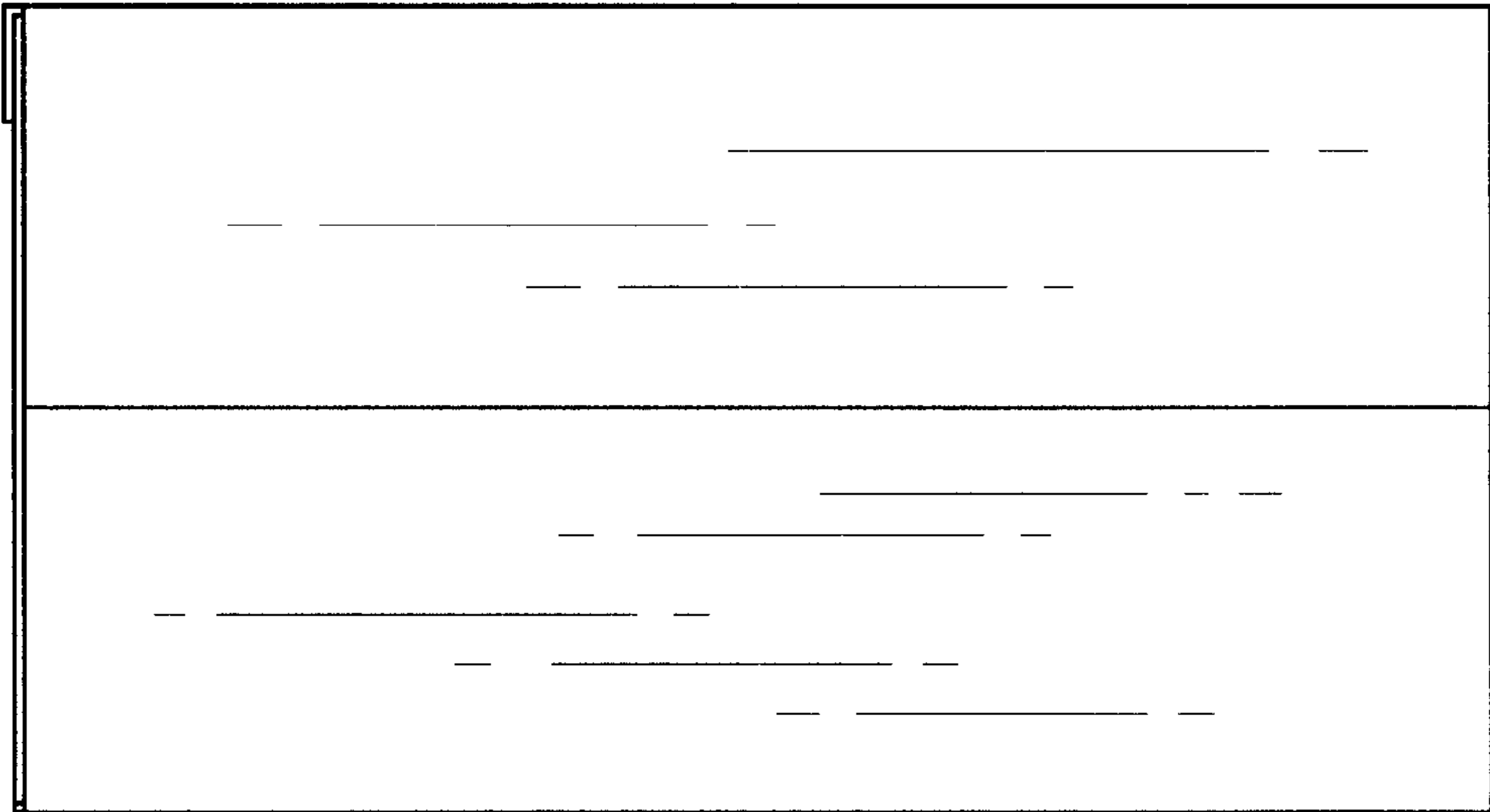


FIG. 7

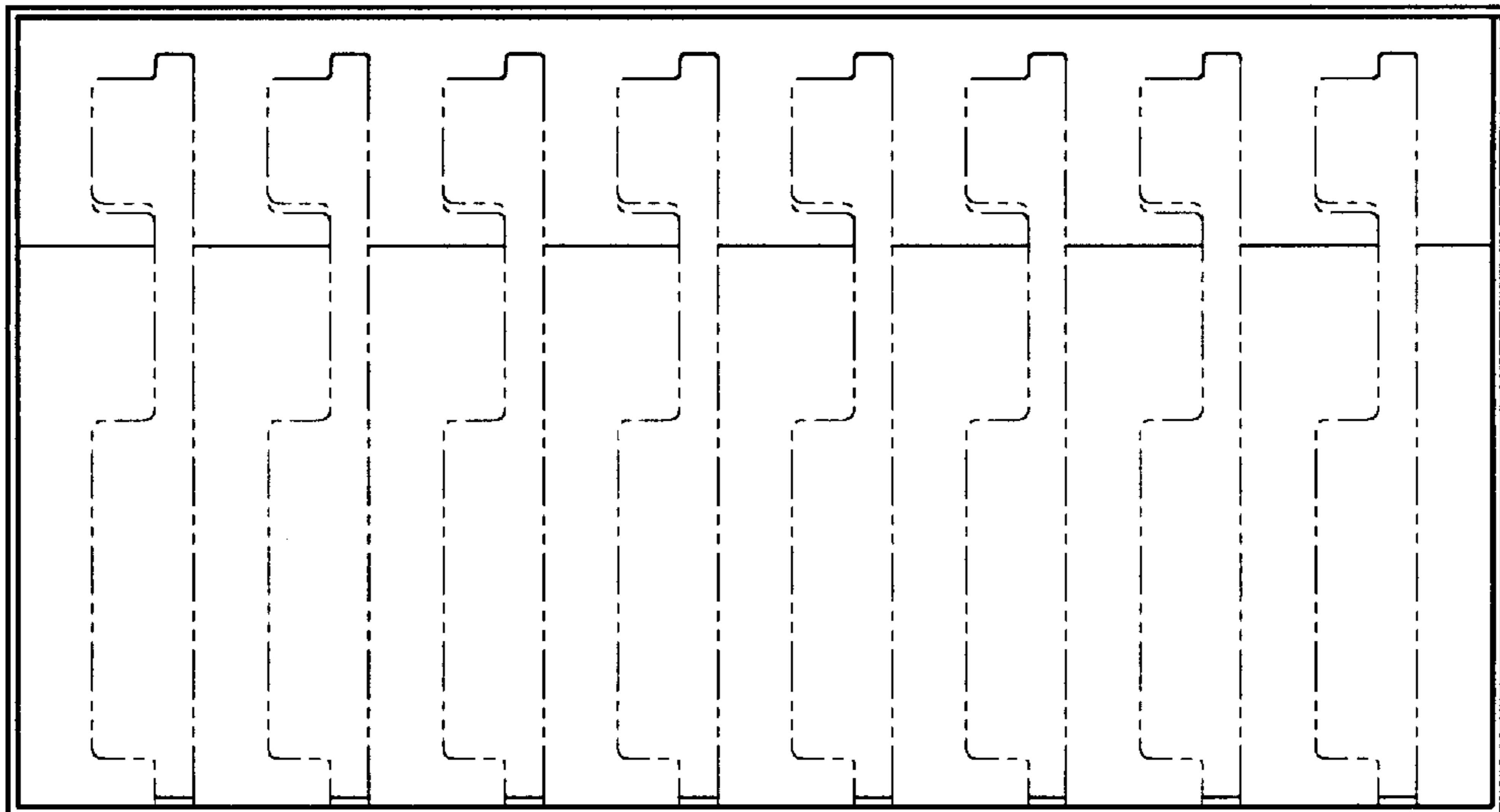


FIG. 6