



US00D452813B1

(12) **United States Design Patent**  
**Morita**

(10) **Patent No.:** **US D452,813 S**

(45) **Date of Patent:** **\*\* Jan. 8, 2002**

(54) **MAGNETIC FASTENER**

(76) Inventor: **Tamao Morita**, 47-1, Arakawa,  
6-Chome, Arakawa-ku, Tokyo 116 (JP)

(\*\*) Term: **14 Years**

(21) Appl. No.: **29/129,780**

(22) Filed: **Sep. 22, 2000**

(30) **Foreign Application Priority Data**

Jun. 30, 2000 (JP) ..... 12-021455

(51) **LOC (7) Cl.** ..... **02-07**

(52) **U.S. Cl.** ..... **D8/382; D11/220**

(58) **Field of Search** ..... D8/349, 382; D11/200,  
D11/205-220, 331; 292/251.5; 24/303,  
688; 294/65.5; 63/29.2; 335/285

(56) **References Cited**

**U.S. PATENT DOCUMENTS**

- 2,731,683 A \* 1/1956 Thompson ..... 335/285
- 4,700,436 A 10/1987 Morita
- 4,453,294 C1 5/1991 Morita
- 5,125,134 A 6/1992 Morita
- 5,152,035 A 10/1992 Morita
- 5,199,138 A 4/1993 Morita
- D335,266 S \* 5/1993 Morita ..... D11/231
- 5,253,394 A 10/1993 Morita
- 5,274,889 A 1/1994 Morita
- 5,377,392 A 1/1995 Morita
- D375,061 S \* 10/1996 Morita ..... D11/220

- D386,669 S \* 11/1997 Aoki ..... D8/382
- 5,707,091 A 1/1998 Morita
- D400,429 S \* 11/1998 Morita ..... D8/382
- 6,131,247 A 10/2000 Morita
- D434,644 S \* 12/2000 Aoki ..... D8/382

\* cited by examiner

*Primary Examiner*—Alan P. Douglas

*Assistant Examiner*—Clare E. Heflin

(74) *Attorney, Agent, or Firm*—Patton Boggs LLP

(57) **CLAIM**

The ornamental design for a magnetic fastener, as shown and described.

**DESCRIPTION**

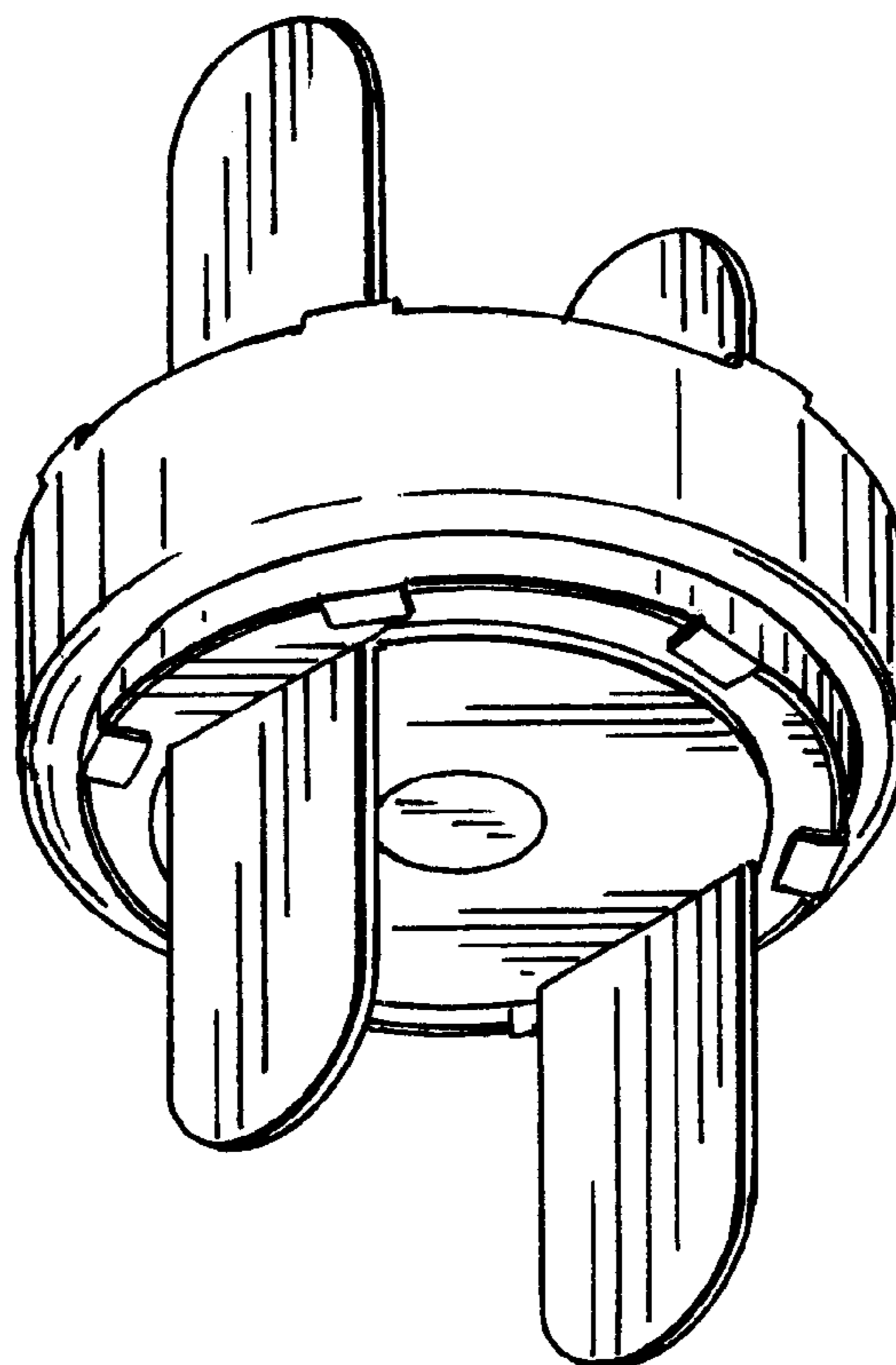
FIG. 1 is a bottom isometric view of the male fastener and the female fastener of a magnetic fastener in their separated or detached position with female fastener member overlying the male fastener member.

FIG. 2 is a bottom isometric view of the male fastener and the female fastener of the magnetic fastener of FIG. 1 in their attracted or fastened position;

FIG. 3 is a top isometric view of the male fastener and the female fastener of a magnetic fastener in their separated or detached position with the female member overlying the male fastener member; and,

FIG. 4 is a top isometric view of the male fastener and the female fastener of the magnetic fastener of FIG. 3 in their attracted or fastened position.

**1 Claim, 1 Drawing Sheet**



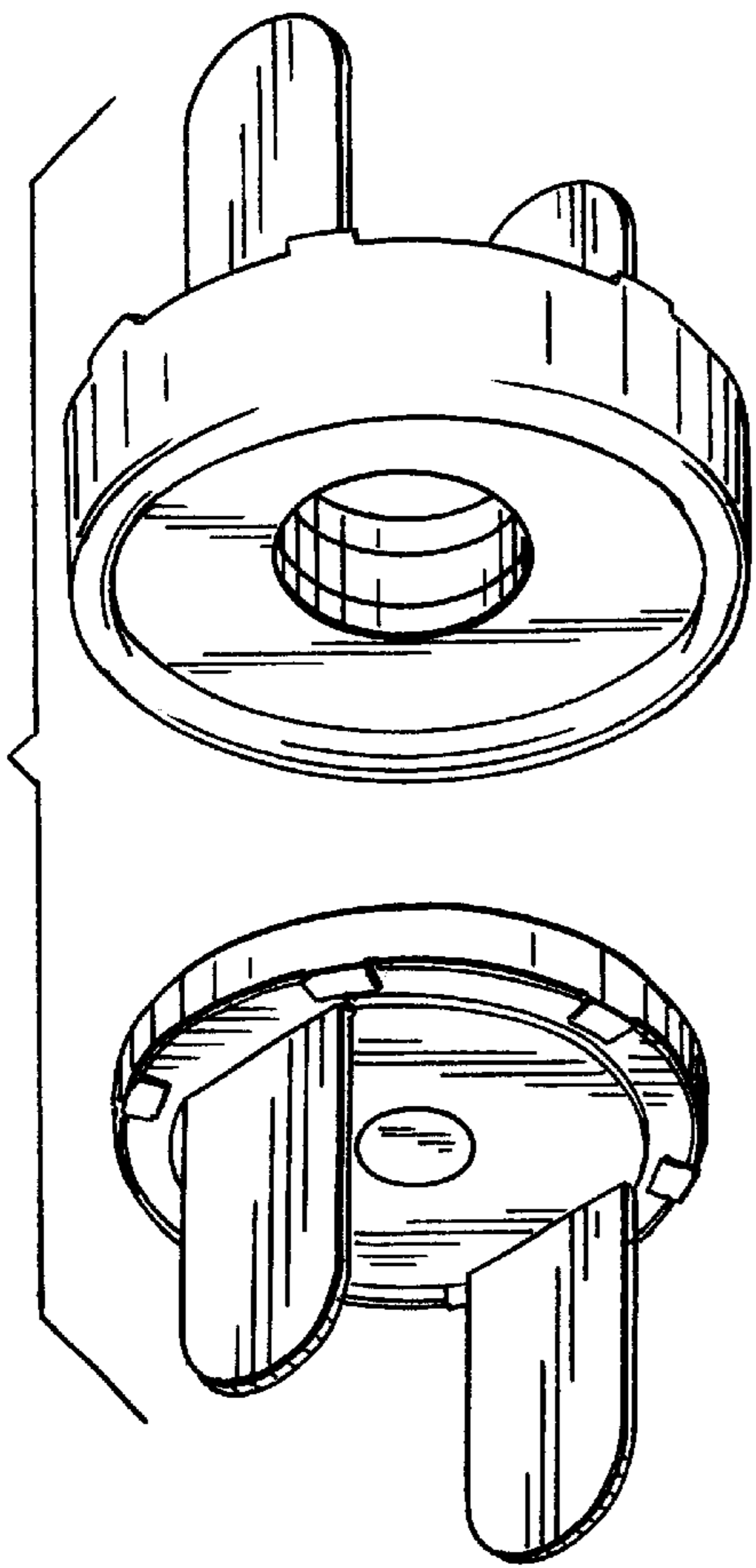


Fig.1

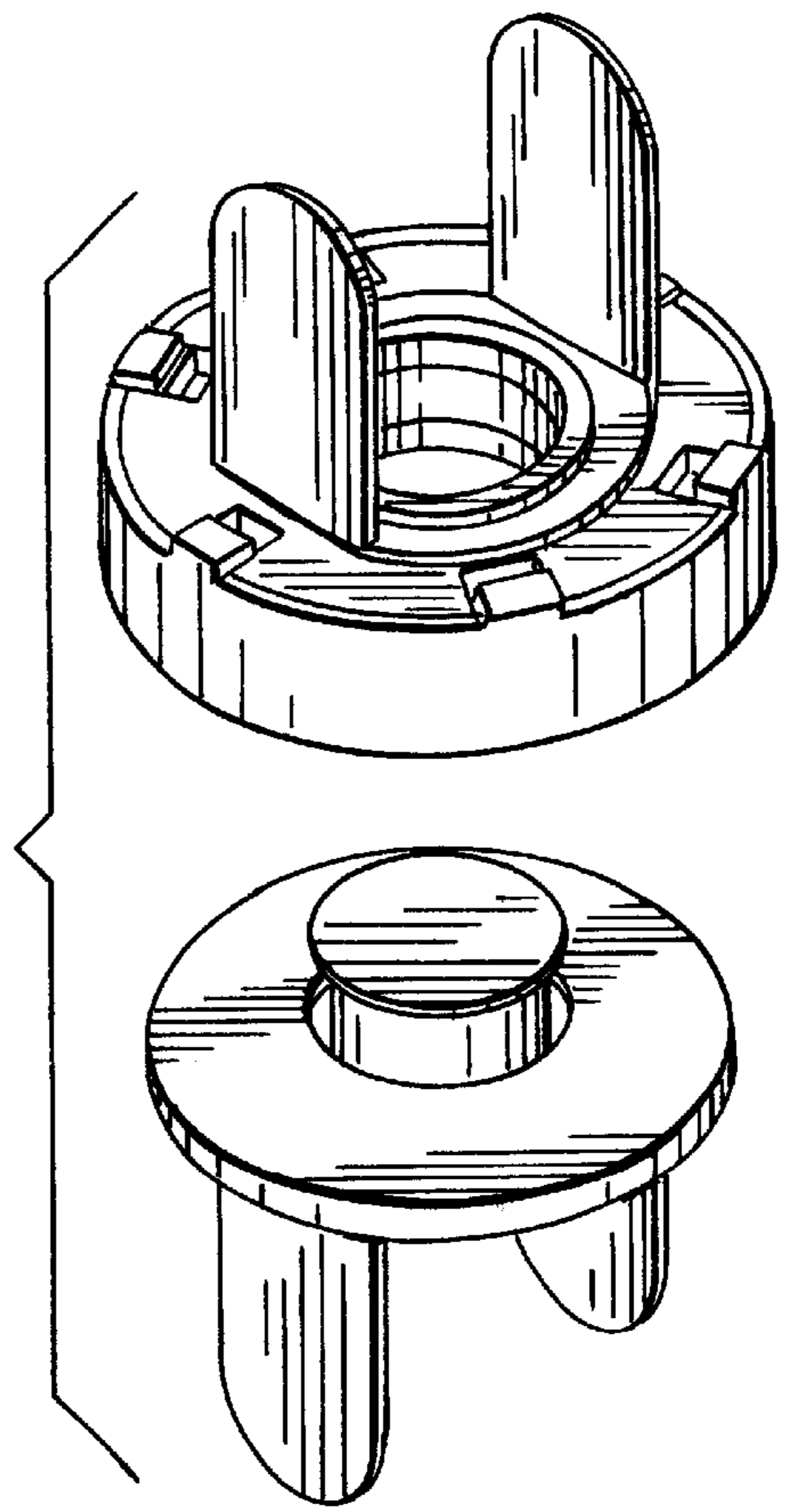


Fig.3

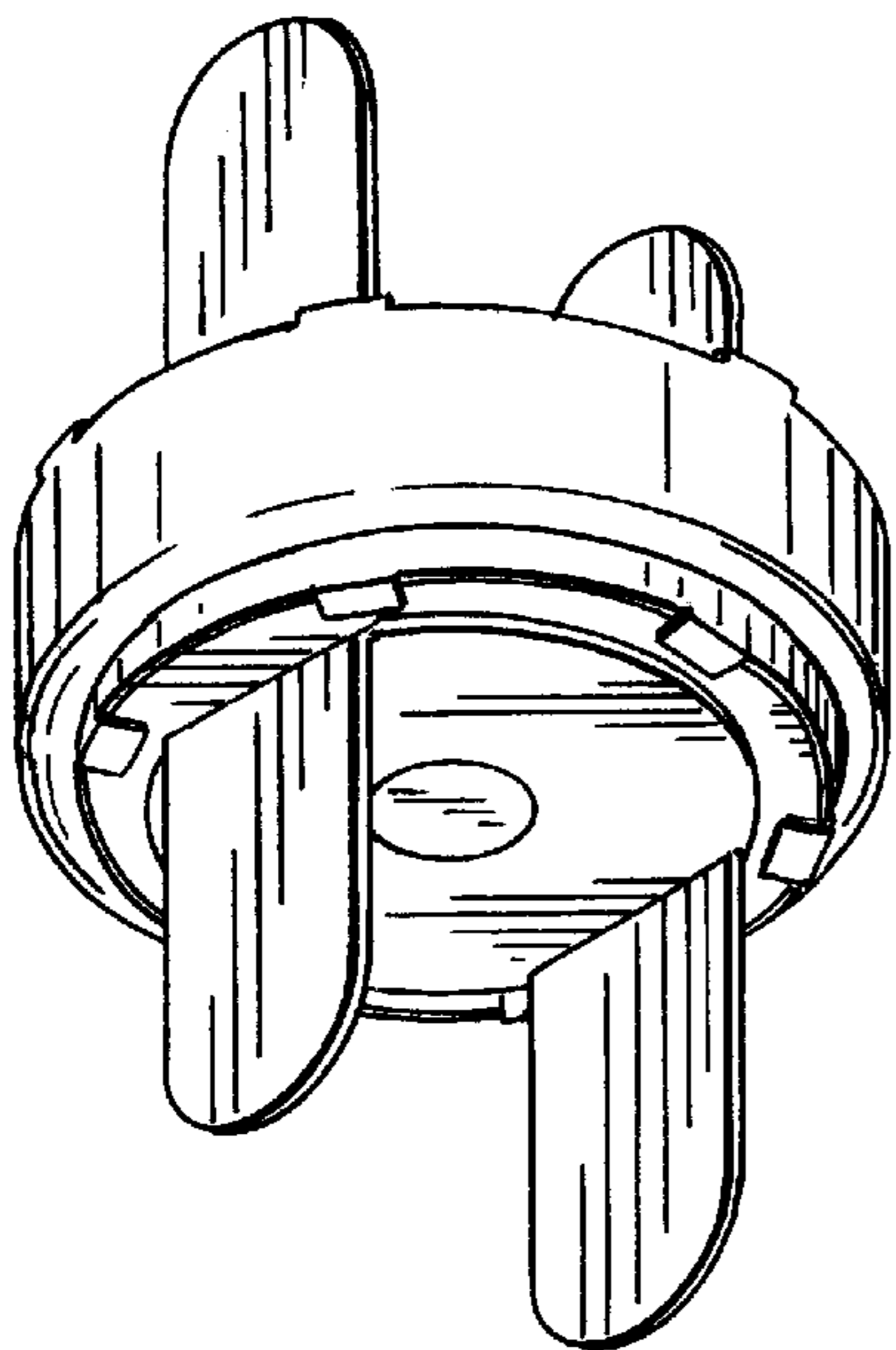


Fig.2

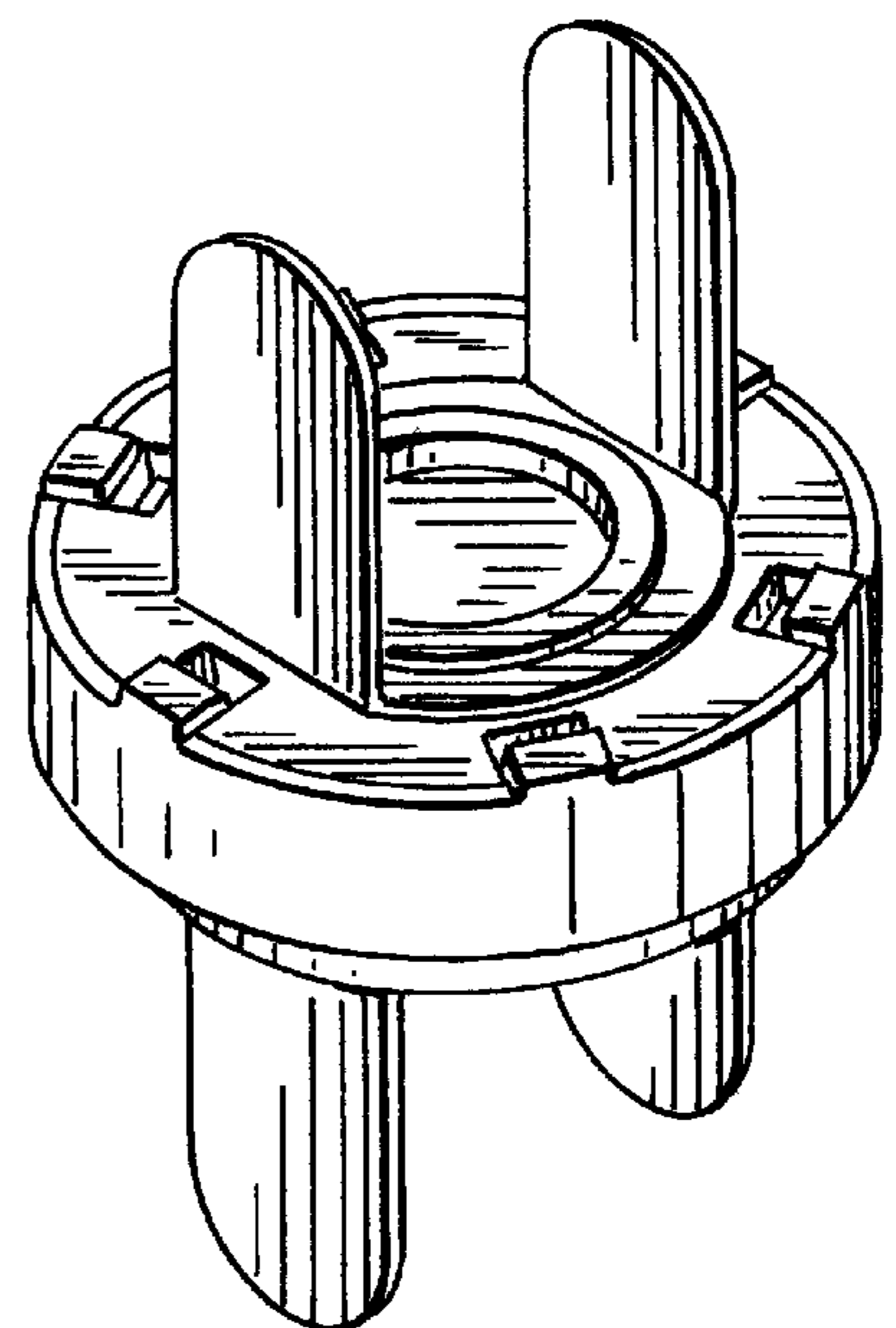


Fig.4