



US00D452809B1

(12) **United States Design Patent**  
**Yang et al.**

(10) **Patent No.:** **US D452,809 S**  
(45) **Date of Patent:** **\*\* Jan. 8, 2002**

(54) **LOCKING DEVICE**

(75) Inventors: **Cheng-Fan Yang; Ya-Wen Shu**, both of Taipei (TW)

(73) Assignee: **Link Treasure Limited**, Tortola (VG)

(\*\*) Term: **14 Years**

(21) Appl. No.: **29/129,785**

(22) Filed: **Sep. 22, 2000**

(51) **LOC (7) Cl.** ..... **08-07**

(52) **U.S. Cl.** ..... **D8/339; D11/216**

(58) **Field of Search** ..... **D8/330, 331, 339, D8/341, 342; 70/14, 18, 58, 53, 261, 52; 24/68 E, 715 B, 170, 631, 633; D11/200, 201, 216; D6/333**

(56) **References Cited**

**U.S. PATENT DOCUMENTS**

4,226,103 A	*	10/1980	Strickland	.....	70/14 X
D352,680 S	*	11/1994	Matoba	.....	D11/216
D360,390 S	*	7/1995	Murai	.....	D11/216

\* cited by examiner

*Primary Examiner*—Jennifer Rivard  
(74) *Attorney, Agent, or Firm*—Birch, Stewart, Kolasch & Birch, LLP

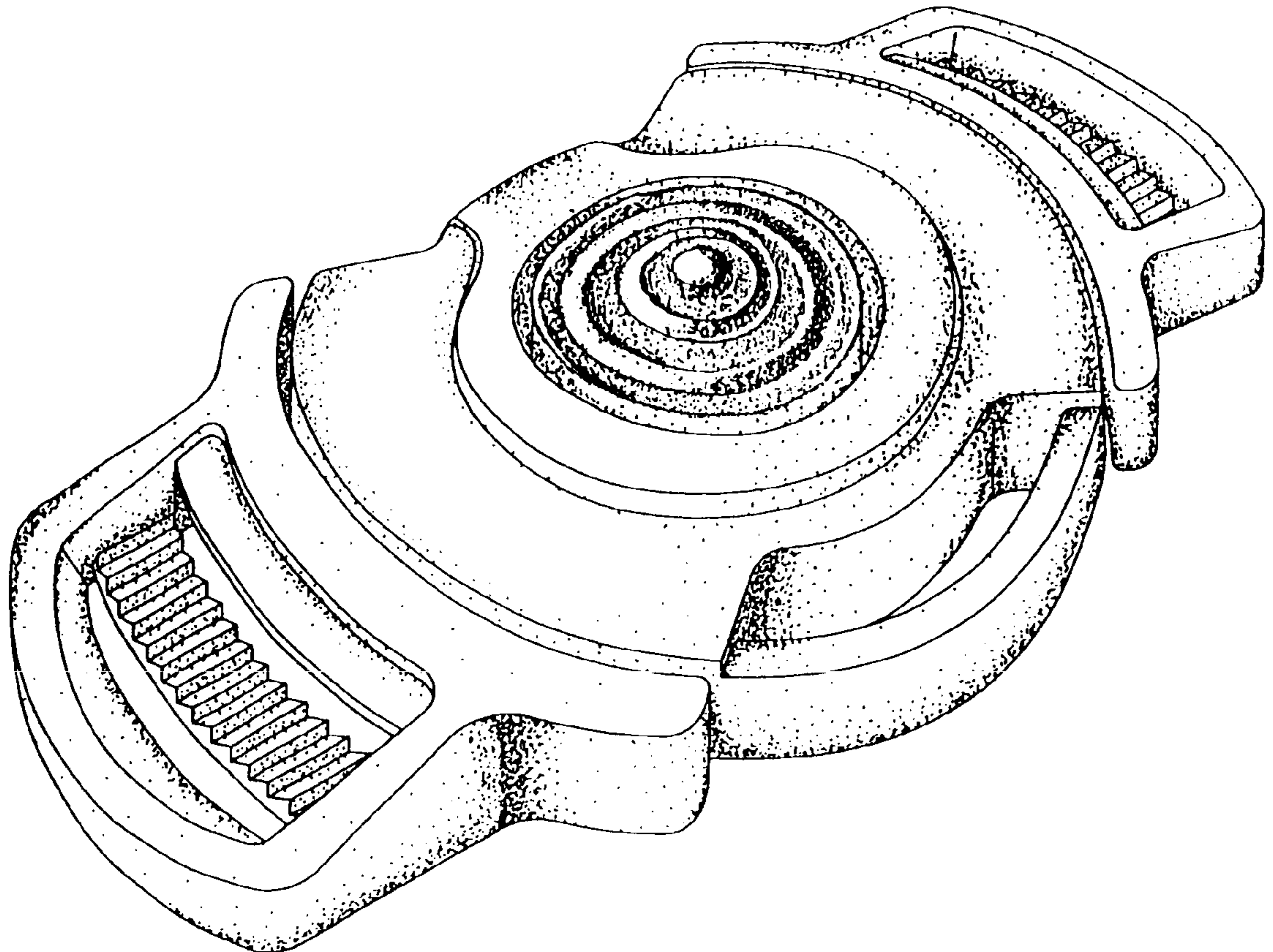
(57) **CLAIM**

The ornamental design for a locking device, as shown and described.

**DESCRIPTION**

FIG. 1 is a perspective view of a locking device showing our new design;  
FIG. 2 is right side elevational view thereof;  
FIG. 3 is a top view thereof;  
FIG. 4 is front view thereof;  
FIG. 5 is a bottom view thereof;  
FIG. 6 is a rear view thereof;  
FIG. 7 is a left side elevational view thereof; and,  
FIG. 8 is an additional perspective view thereof.  
The broken line environmental showing is for illustrative purposes only and forms no part of the claimed design.

**1 Claim, 5 Drawing Sheets**



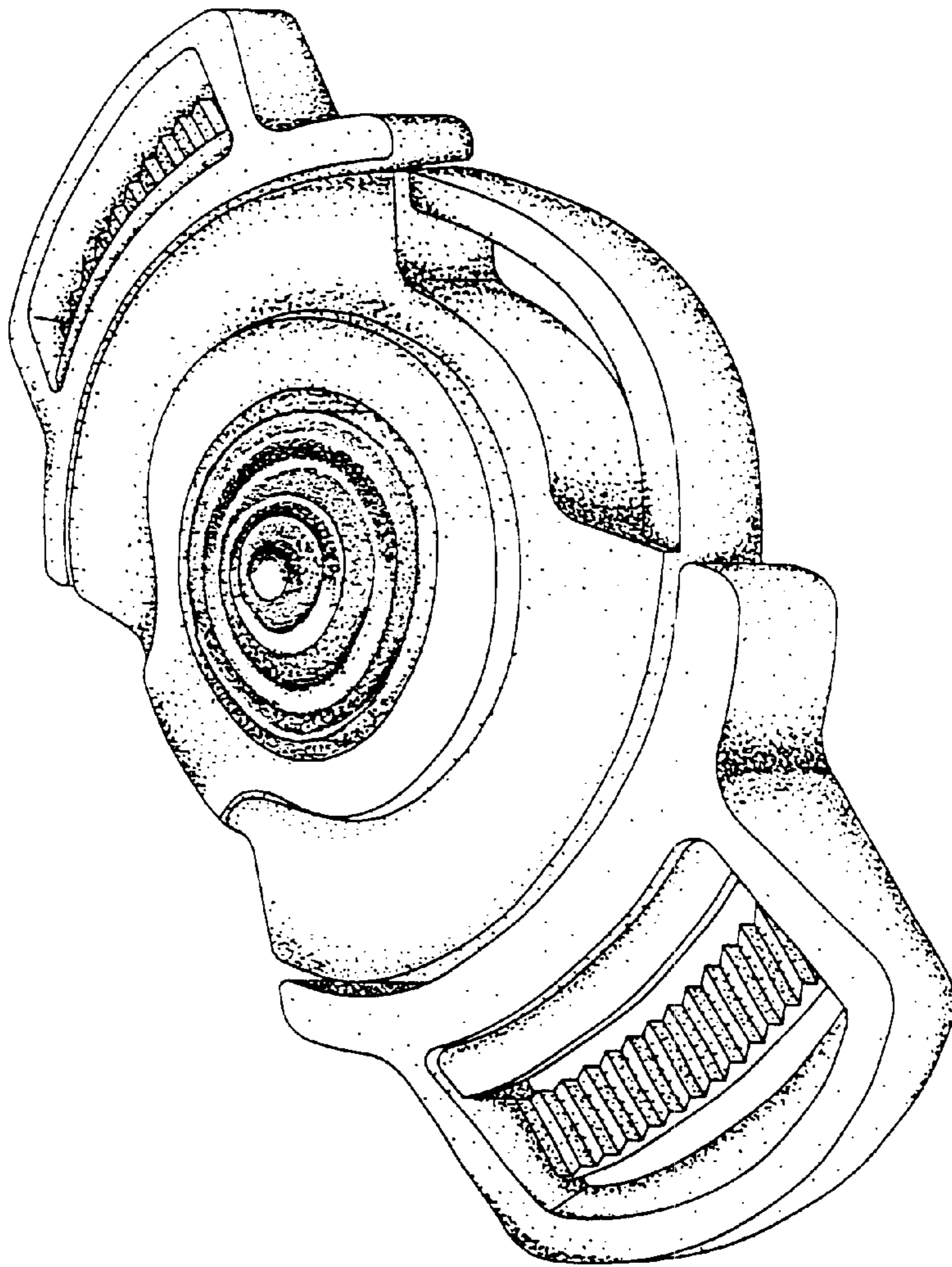


FIG. 1

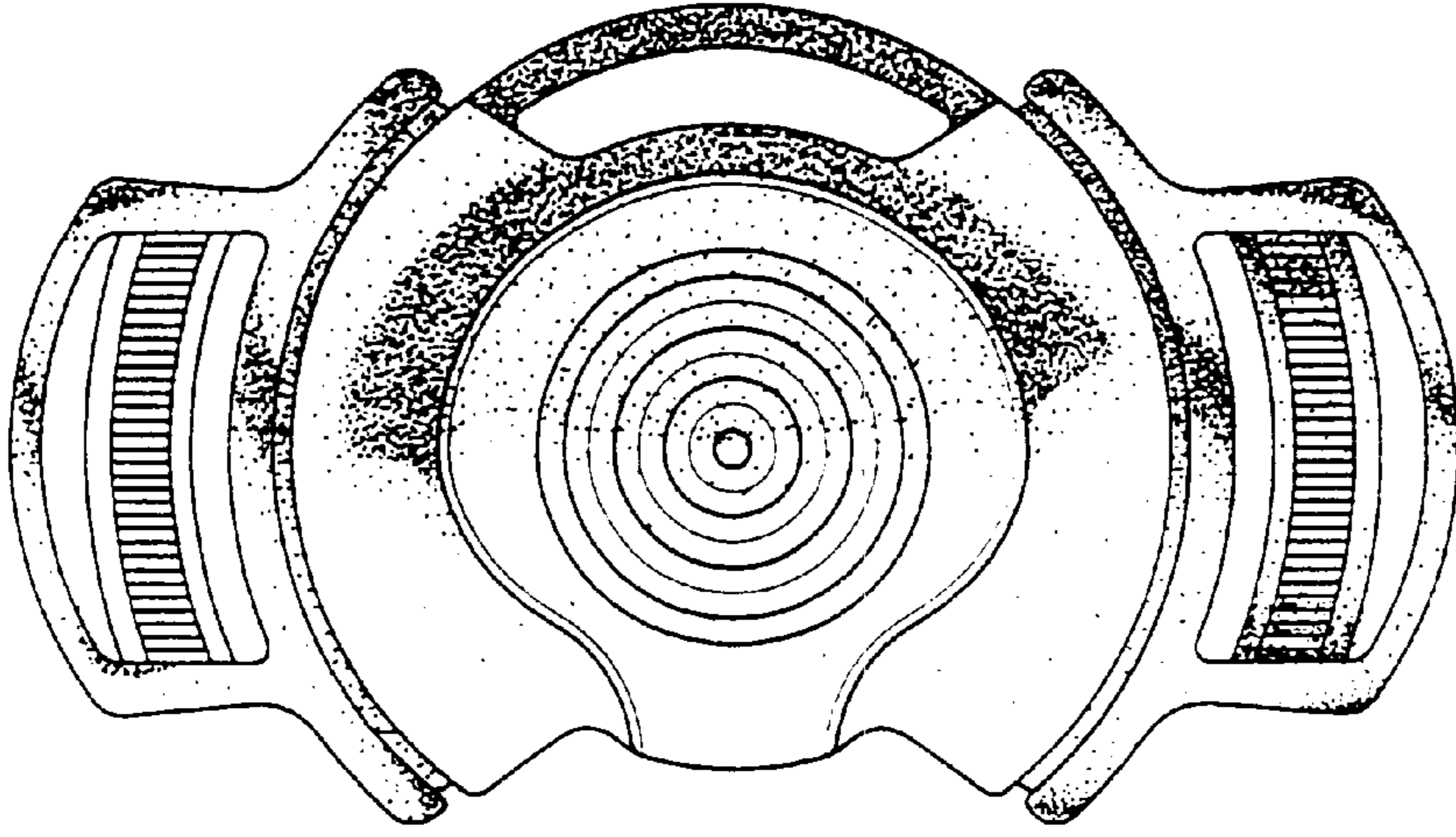


FIG. 3

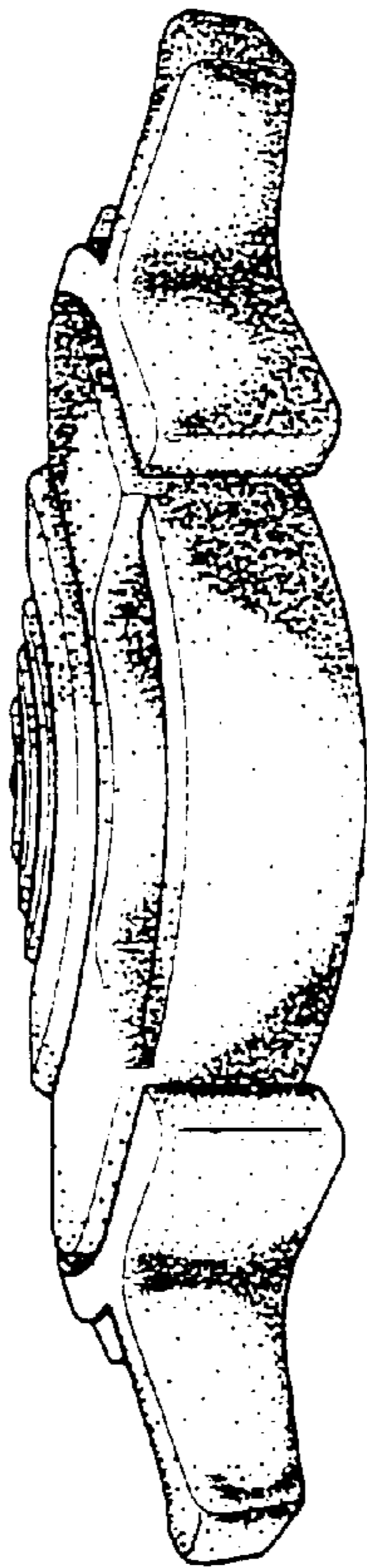


FIG. 2

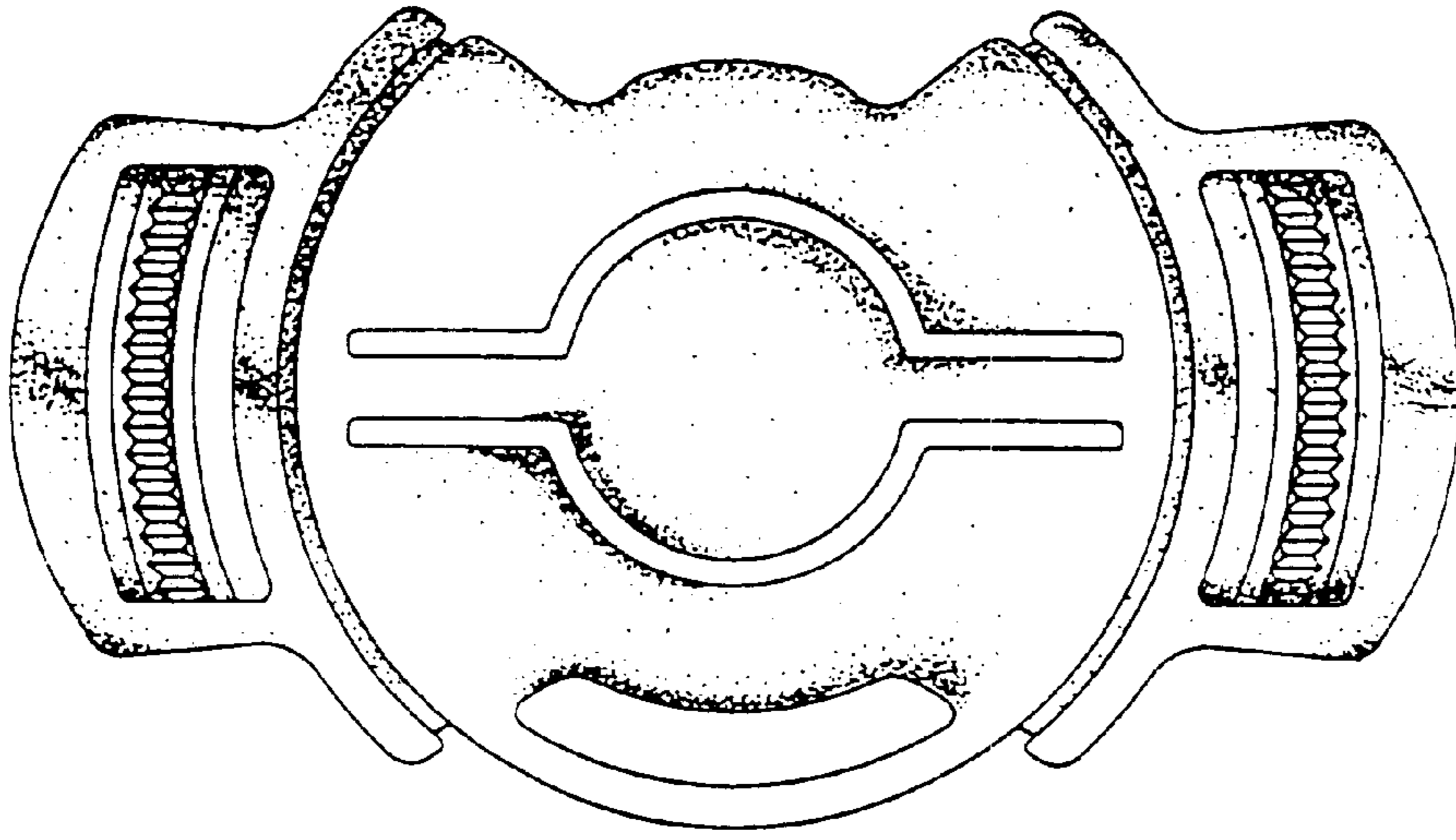


FIG. 5

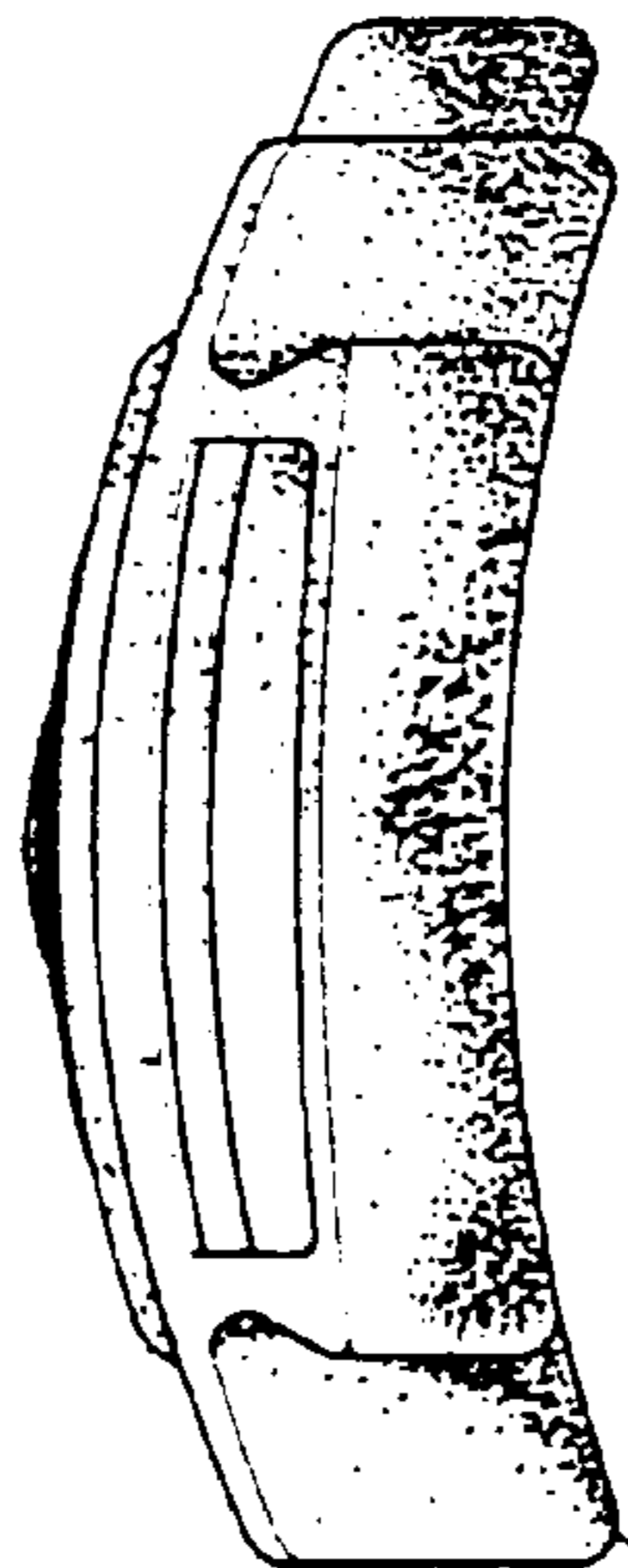


FIG. 4

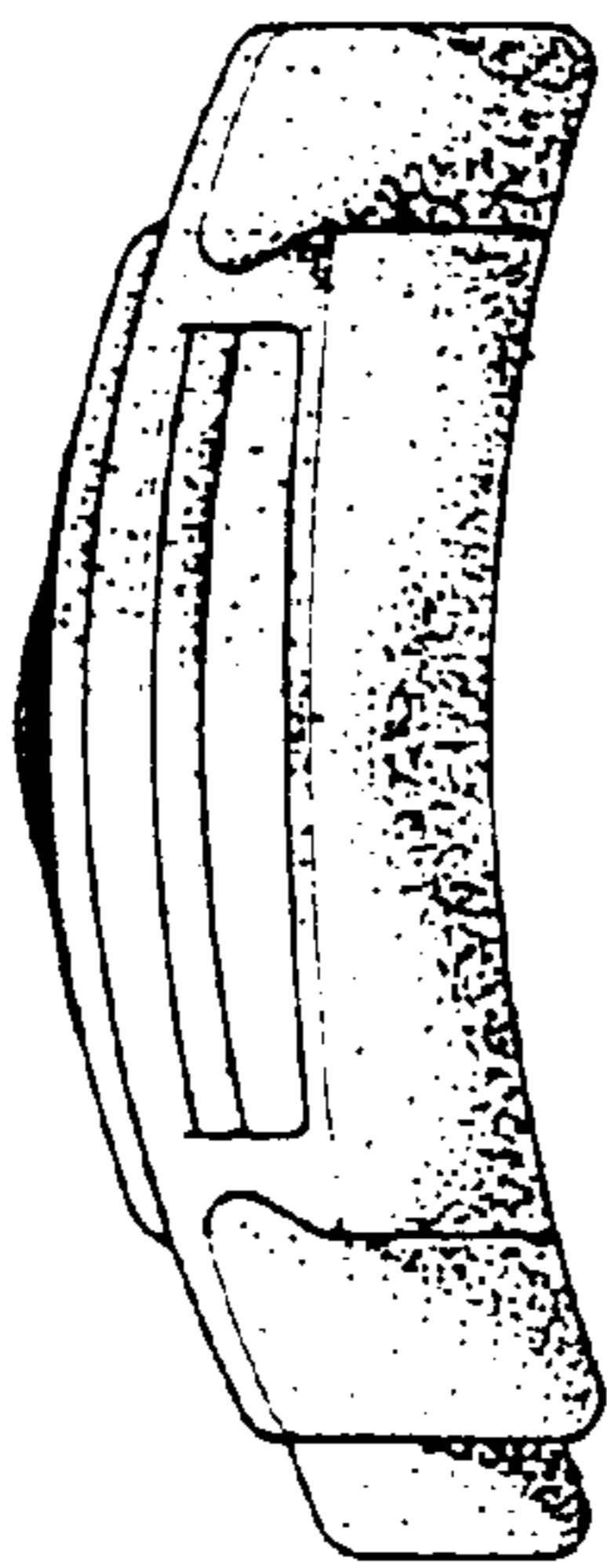


FIG. 6

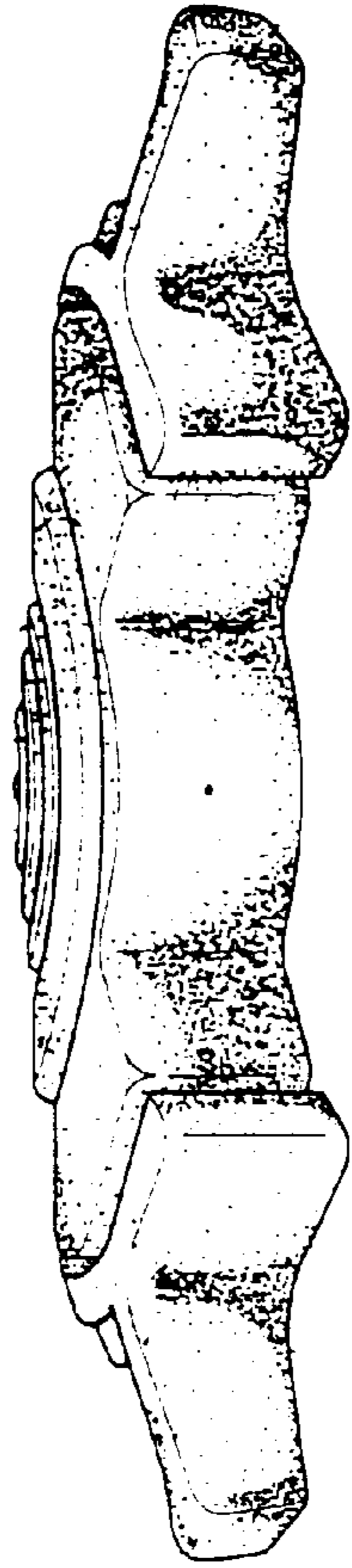


FIG. 7

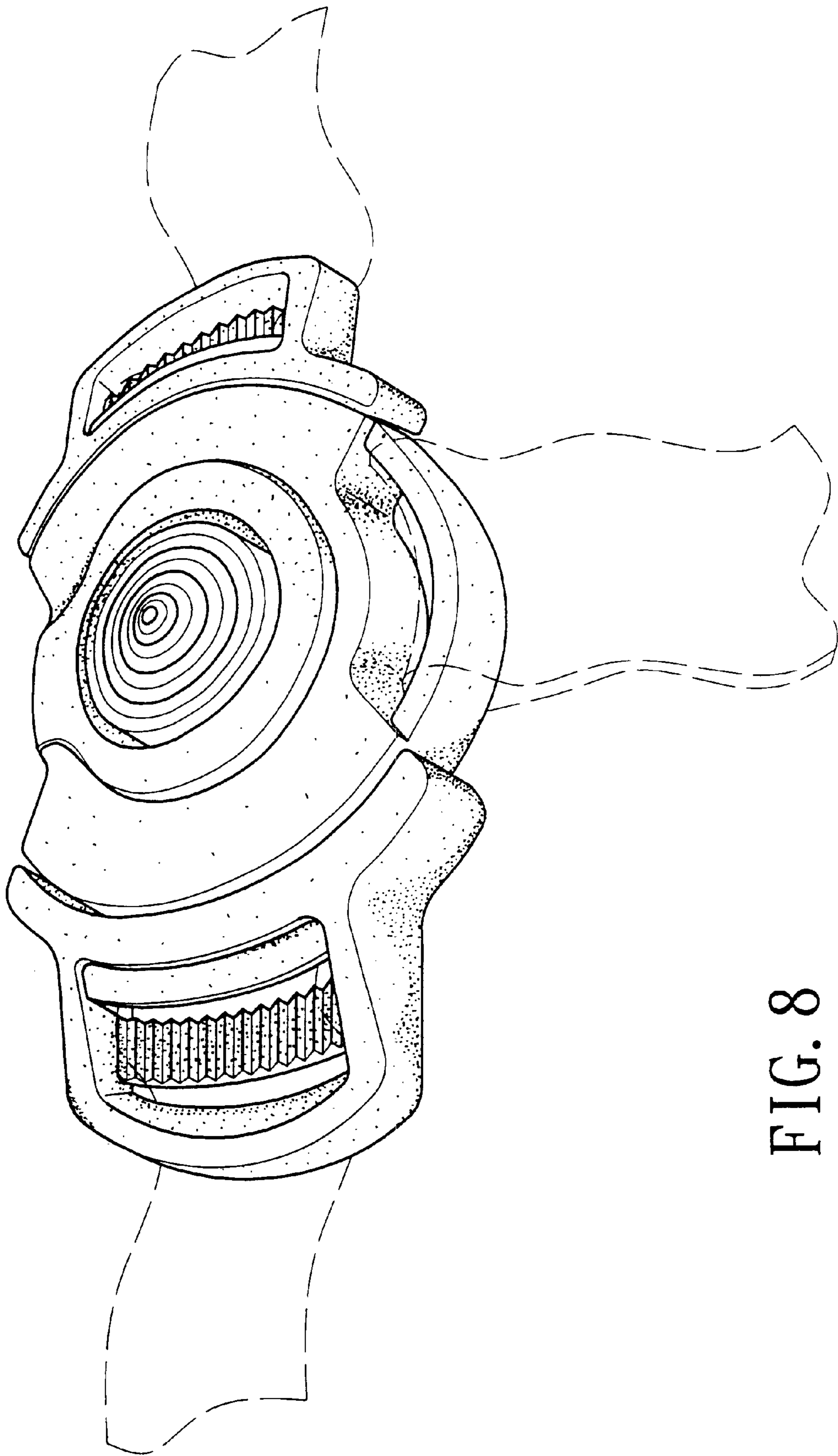


FIG. 8