



US00D452804B1

(12) **United States Design Patent**
Etter et al.

(10) **Patent No.:** **US D452,804 S**
(45) **Date of Patent:** **** Jan. 8, 2002**

(54) **HAND-HELD OSCILLATING SPINDLE SANDER**

5,487,221 A * 1/1996 Oda et al. 30/394
5,678,292 A 10/1997 Kimbel et al. 29/76.4
5,957,765 A 9/1999 Kimbel et al. 451/358

(75) Inventors: **Mark Alan Etter; John Charles Smith**, both of Jackson; **Brent Edward Stafford**, McMoresville; **Leslie Daily Gist**, Jackson, all of TN (US)

* cited by examiner

Primary Examiner—Doris V. Coles
Assistant Examiner—Elizabeth A. Albert
(74) *Attorney, Agent, or Firm*—Hunton & Williams

(73) Assignee: **Porter-Cable/Delta**, Jackson, TN (US)

(**) Term: **14 Years**

(57) **CLAIM**

The ornamental design for a hand-held oscillating spindle sander, as shown and described.

(21) Appl. No.: **29/134,282**

(22) Filed: **Dec. 19, 2000**

DESCRIPTION

Related U.S. Application Data

This application is related by subject matter to application Ser. No. 29/134,276 entitled "Base for a Hand-held Oscillating Spindle Sander."

(63) Continuation-in-part of application No. 09/731,796, filed on Dec. 8, 2000.

FIG. 1 is an isometric view of the hand-held oscillating spindle sander;

(51) **LOC (7) Cl.** **08-01**

FIG. 2 is a side view thereof;

(52) **U.S. Cl.** **D8/62**

FIG. 3 is a front view thereof;

(58) **Field of Search** D8/61, 62, 63, D8/64, 66, 67, 68, 69; 30/392, 394; 310/50; 408/124; 451/344, 356, 357, 358, 359

FIG. 4 is a back view thereof; and,

FIG. 5 is a top view thereof.

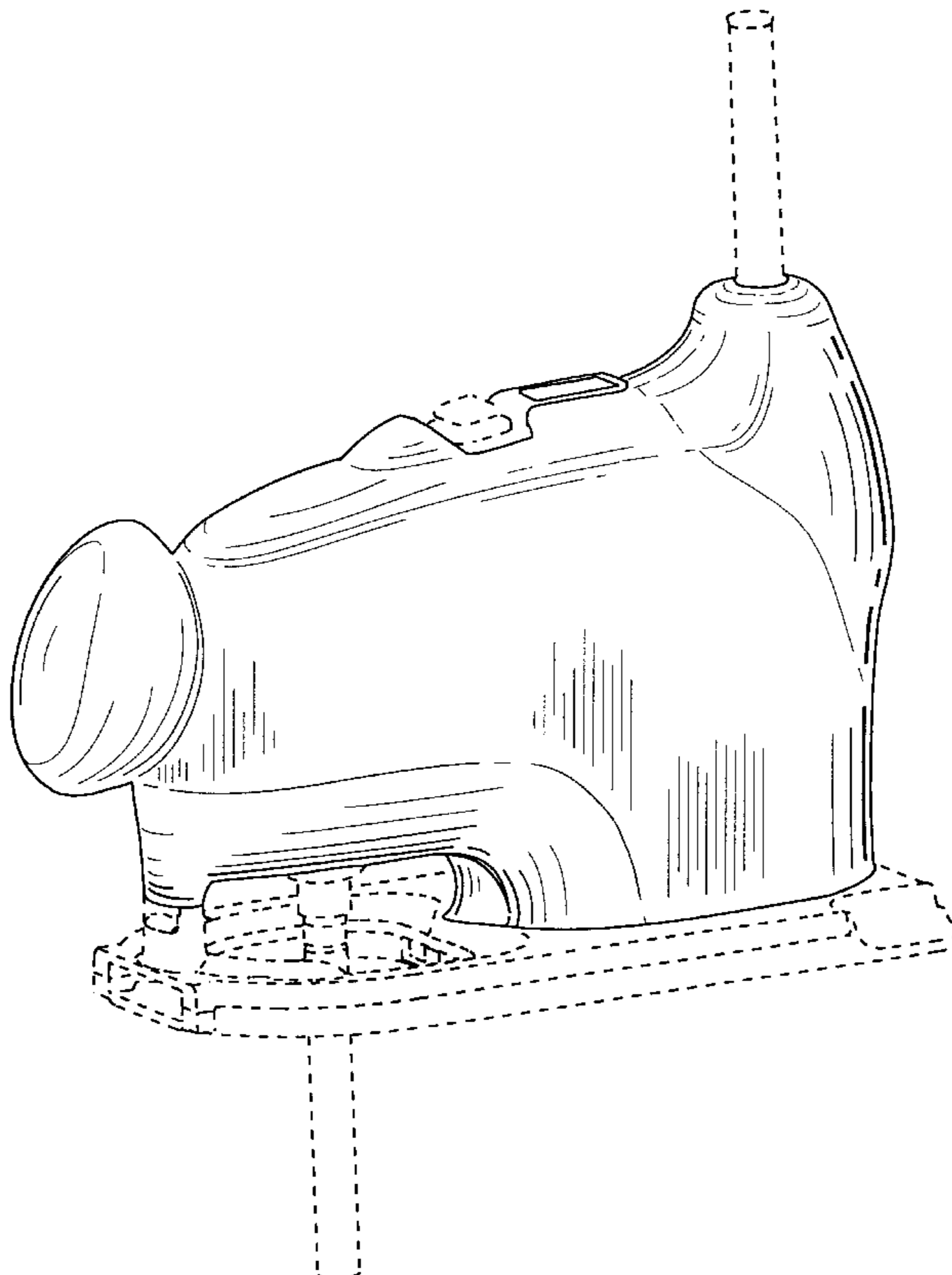
(56) **References Cited**

Only one side view is shown as each side view is the mirror image of the other. The bottom of the hand-held oscillating spindle sander forms no part of the claimed design. The broken line illustration of environmental structure in the figures is for illustrative purposes only and forms no part of the claimed design.

U.S. PATENT DOCUMENTS

D90,239 S * 7/1933 Emmons D8/64
D141,577 S * 6/1945 Resnick D8/62
D160,997 S * 11/1950 Champayne D8/62

1 Claim, 5 Drawing Sheets



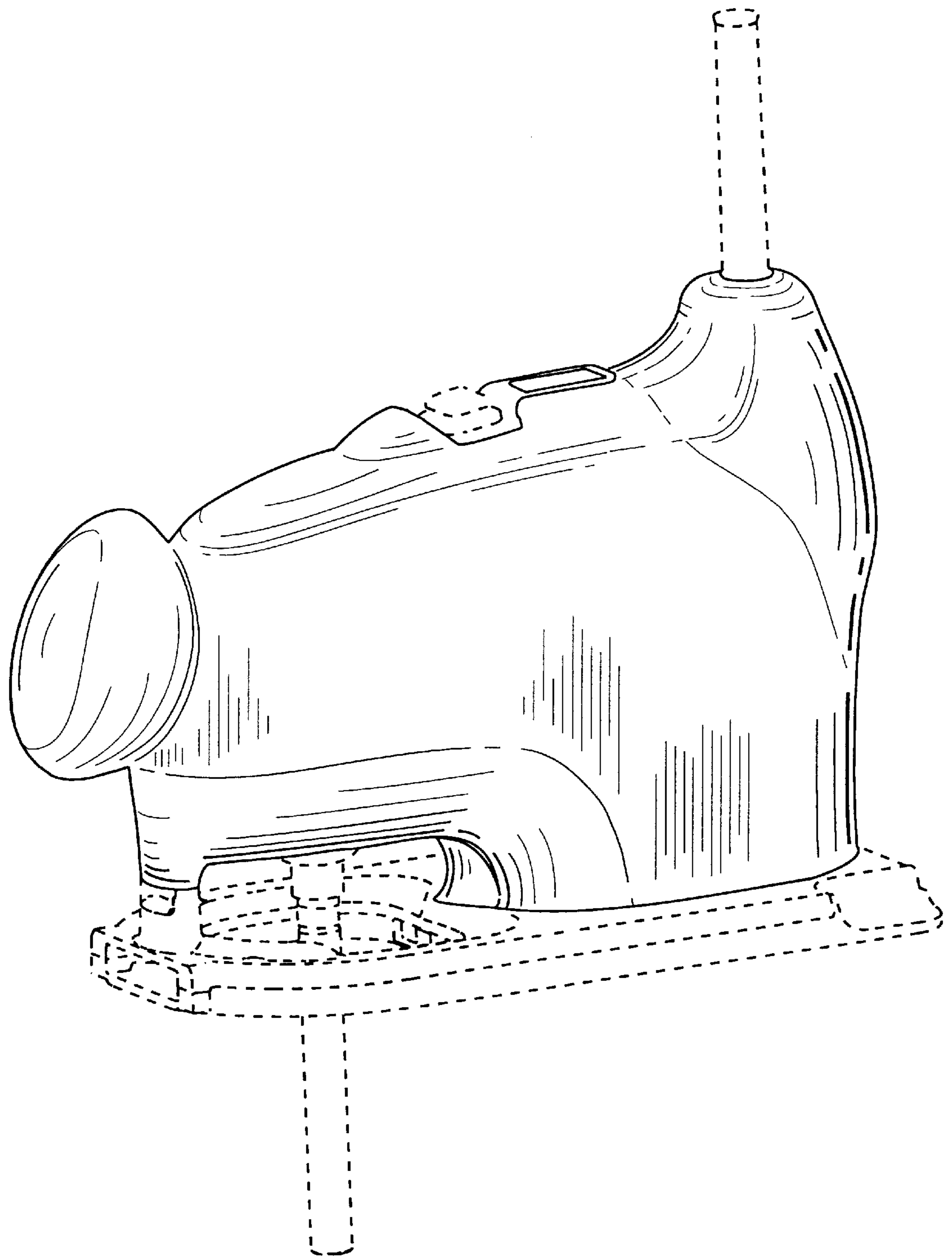


FIG. 1

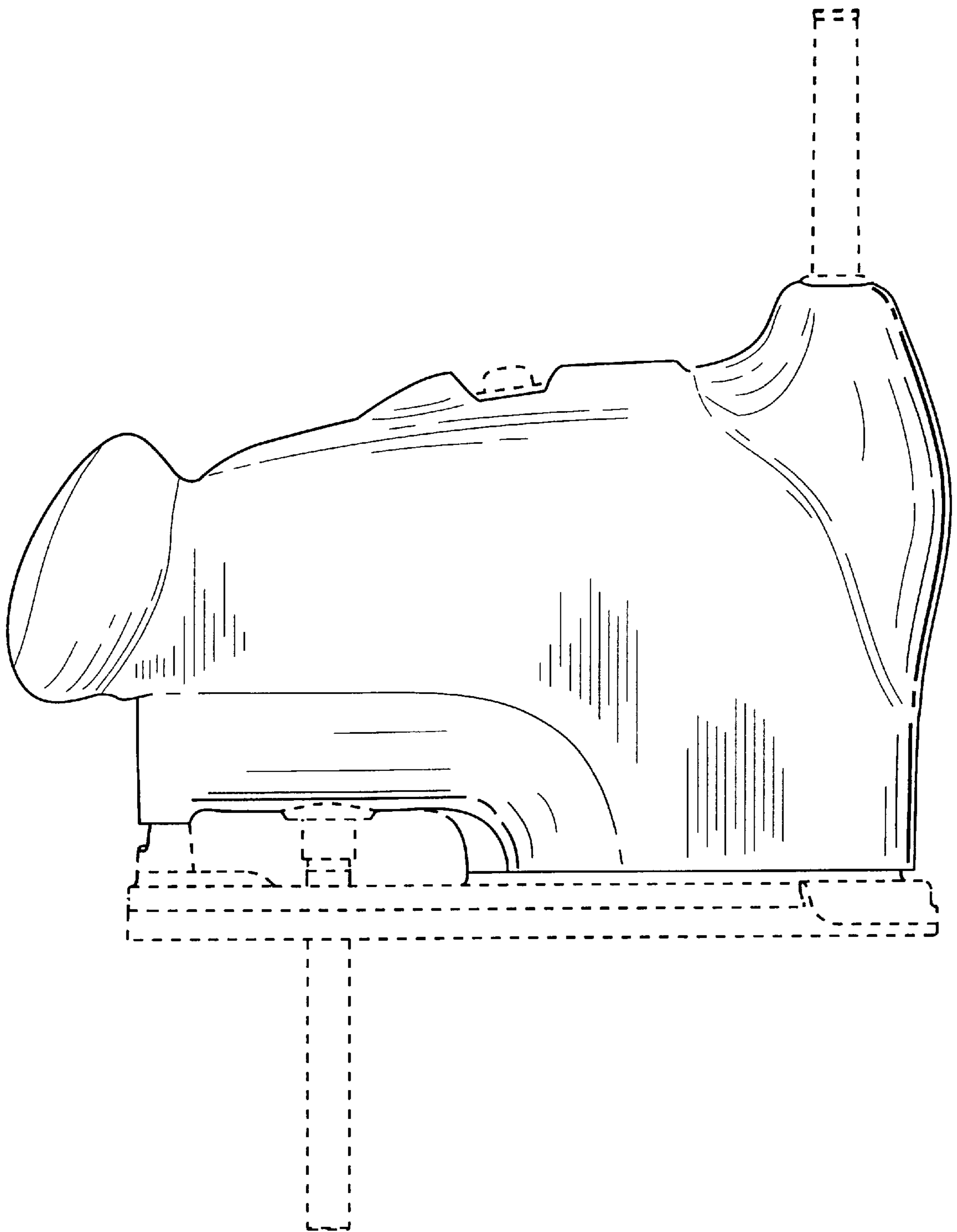


FIG. 2

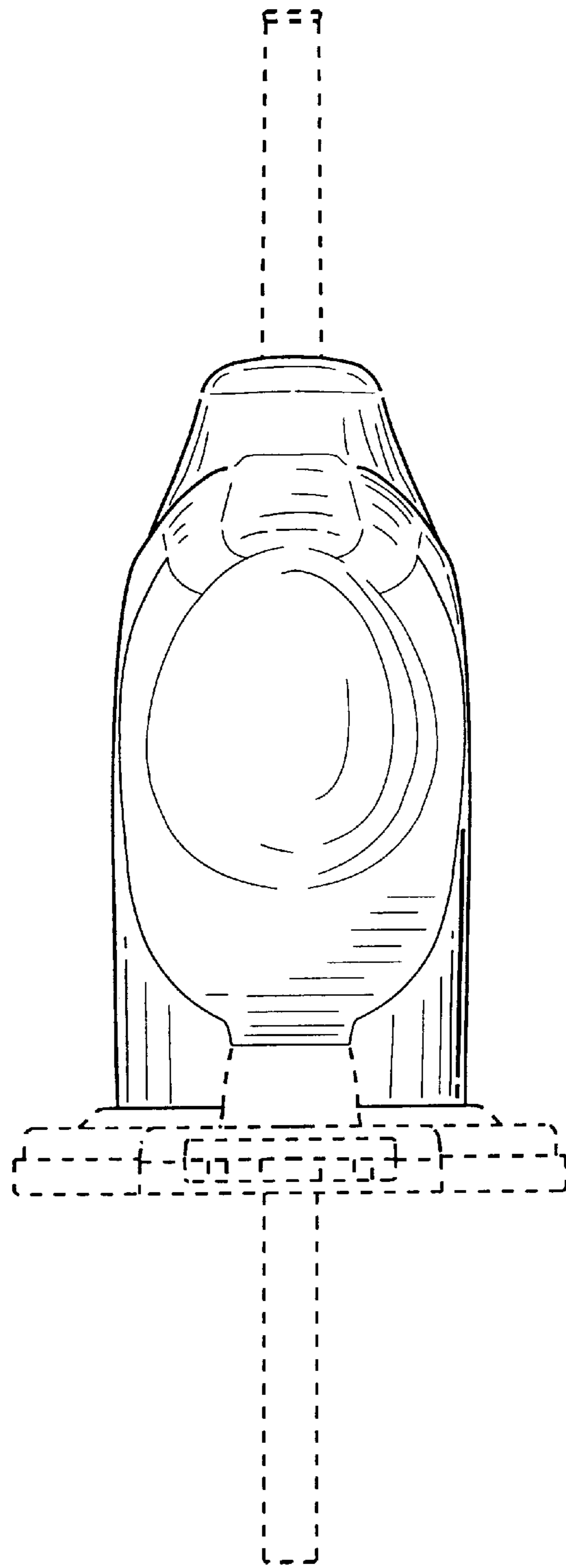


FIG. 3

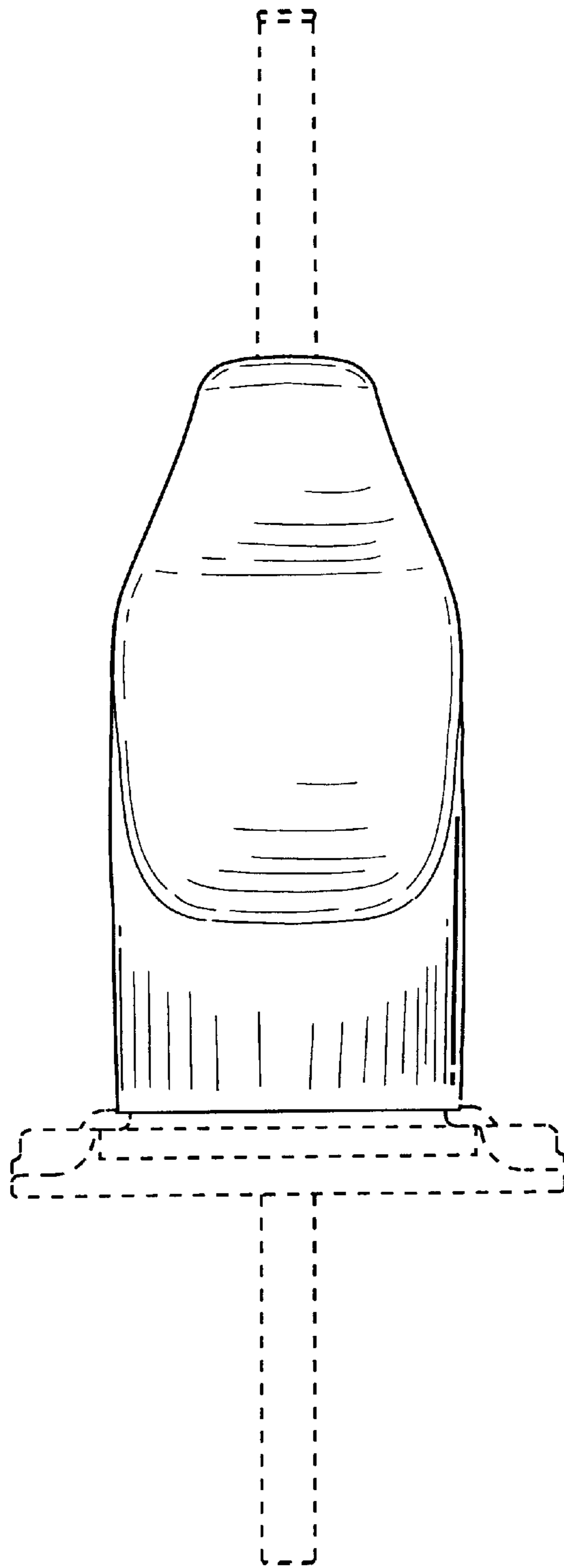


FIG. 4

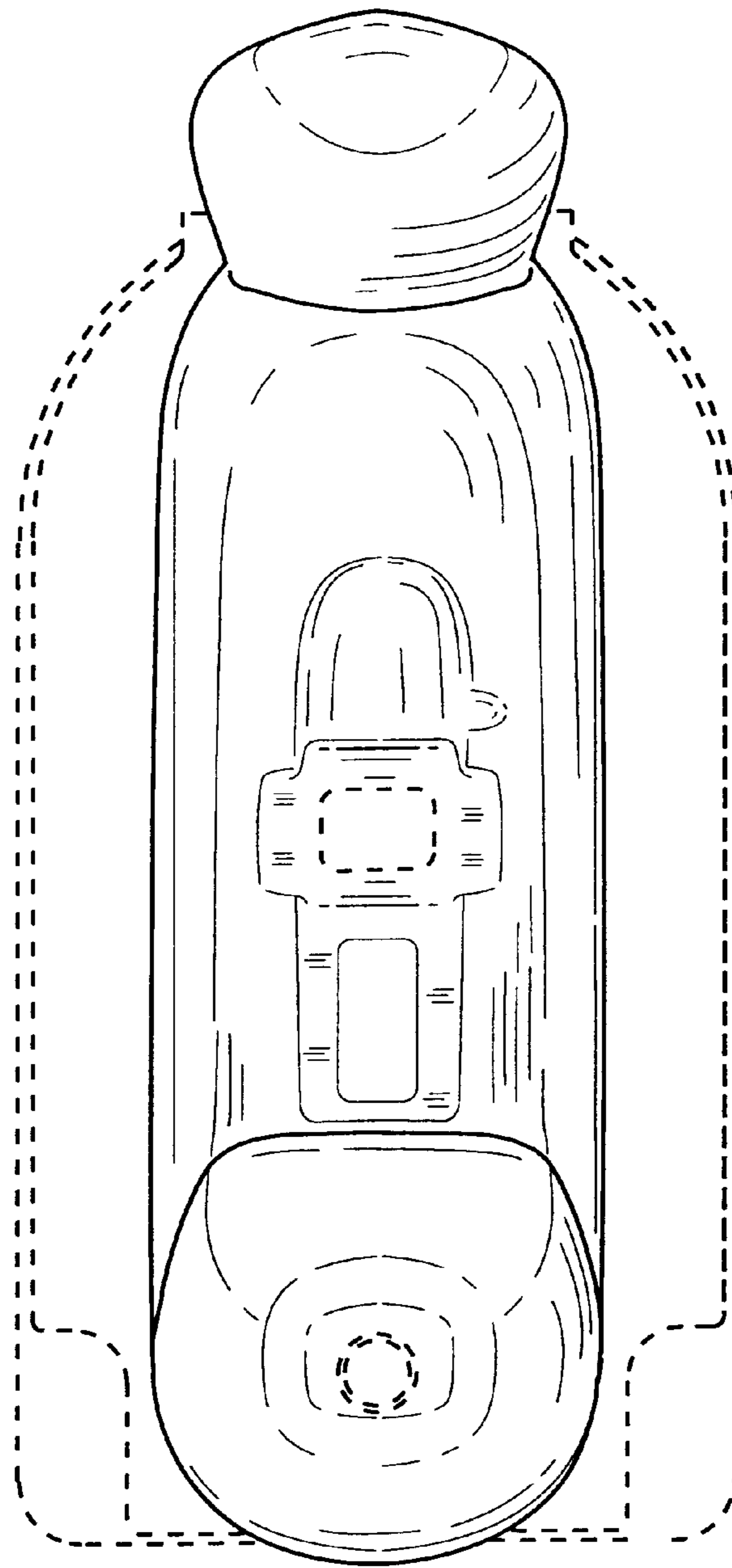


FIG. 5