



US00D452800B1

(12) **United States Design Patent**  
**Moran**

(10) **Patent No.:** **US D452,800 S**

(45) **Date of Patent:** **\*\* Jan. 8, 2002**

(54) **VACUUM CONTAINER WITH MULTIPLE HANDLES**

D386,950 S \* 12/1997 Dettmar ..... D7/608  
D418,374 S \* 1/2000 McNamee et al. .... D7/608

(75) Inventor: **Jorge E. Moran**, Nashville, TN (US)

\* cited by examiner

(73) Assignee: **Megatrade International, Inc.**,  
Nashville, TN (US)

*Primary Examiner*—Terry A. Wallace

(74) *Attorney, Agent, or Firm*—Jennifer A. Albert

(\*\*) Term: **14 Years**

(57) **CLAIM**

(21) Appl. No.: **29/135,395**

The ornamental design for a vacuum container with multiple handles, as shown and described.

(22) Filed: **Jan. 12, 2001**

**DESCRIPTION**

(51) **LOC (7) Cl.** ..... **07-01**

(52) **U.S. Cl.** ..... **D7/608**

(58) **Field of Search** ..... D7/605, 608; D9/501–504;  
62/457.1, 457.7; 215/12.1, 12.2, 13.1, 6;  
220/592.16, 592.2, 592.27

FIG. 1 is a front elevational view of the vacuum container with multiple handles showing my new design;

FIG. 2 is a side elevational view thereof;

FIG. 3 is a rear elevational view thereof;

FIG. 4 is an exploded side elevational view thereof;

FIG. 5 is a top plan view thereof with the drinking cup attached;

FIG. 6 is a top plan view thereof with the drinking cup removed; and,

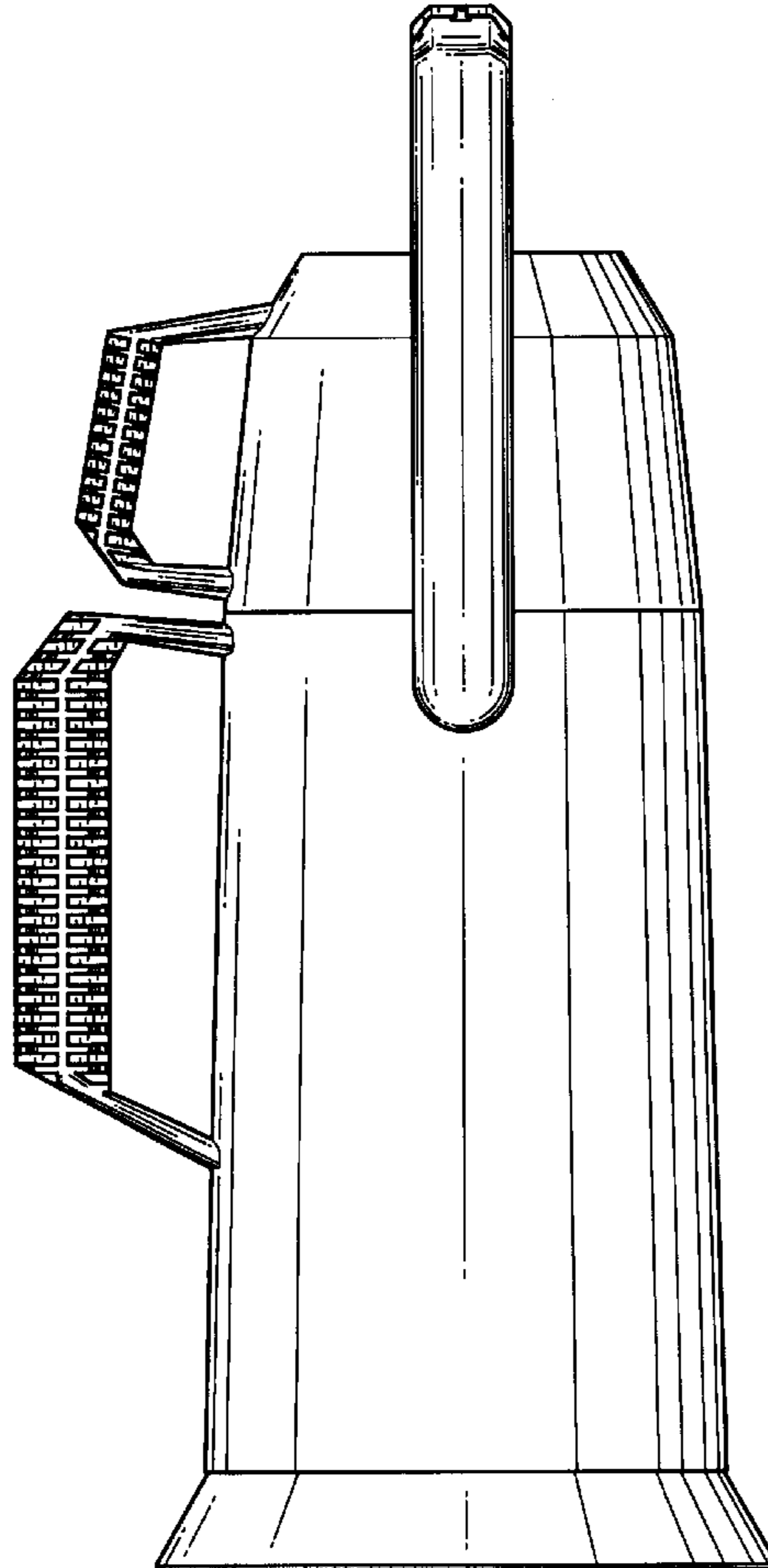
FIG. 7 is a bottom plan view thereof.

(56) **References Cited**

**U.S. PATENT DOCUMENTS**

3,327,881 A \* 6/1967 Maier ..... 215/6  
D295,355 S \* 4/1988 Leung ..... D7/608  
D377,435 S \* 1/1997 Dettmar et al. .... D7/605 X

**1 Claim, 6 Drawing Sheets**



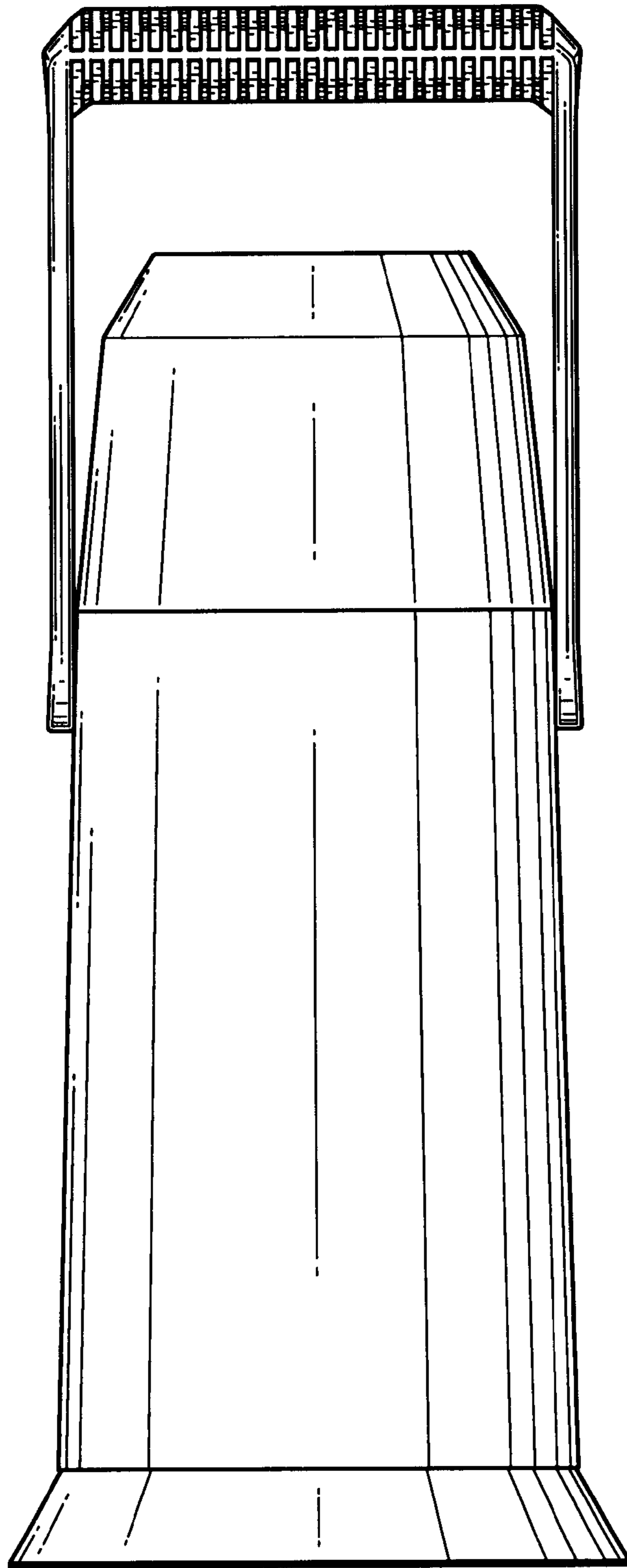


FIG. 1

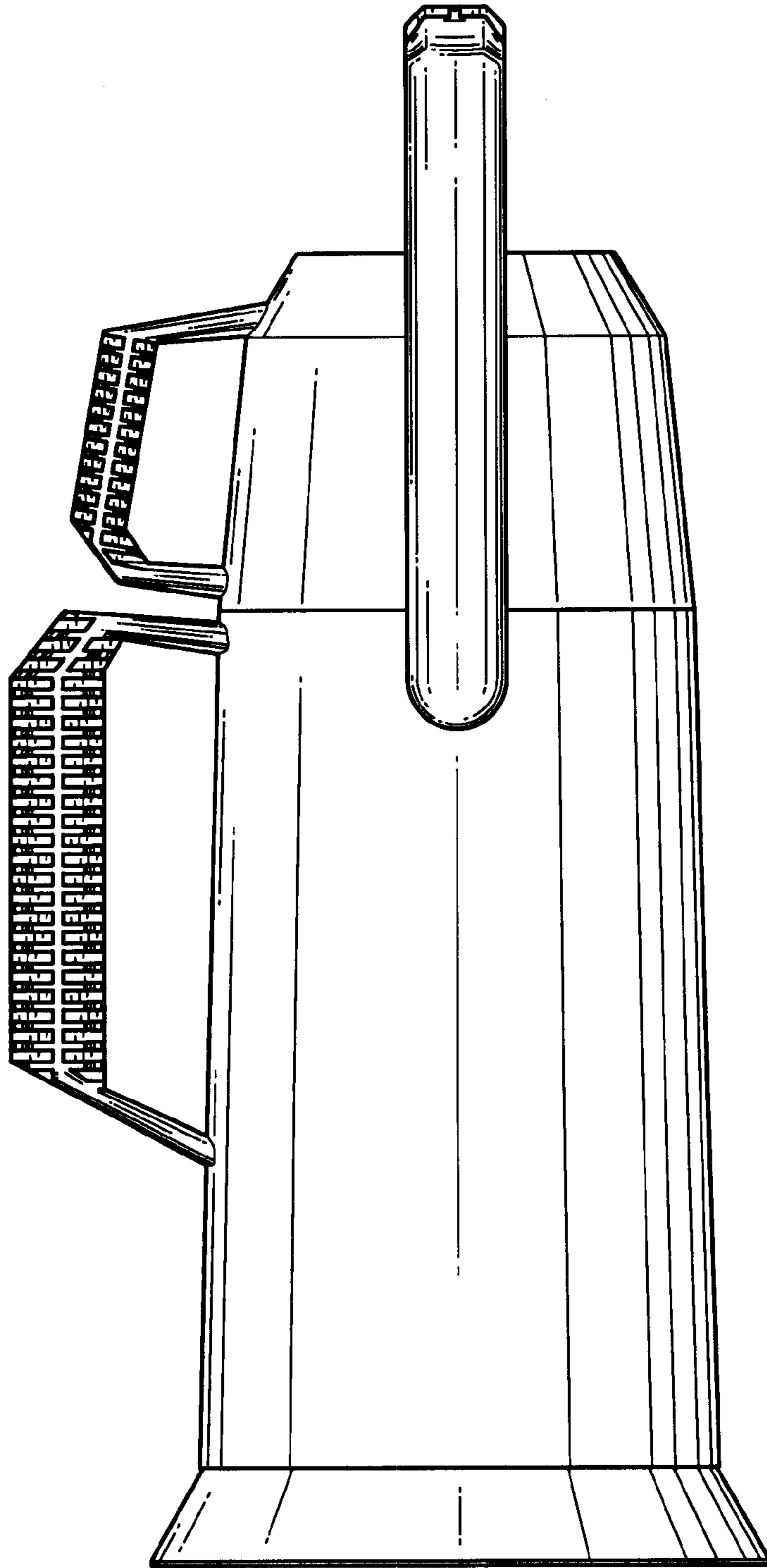


FIG. 2

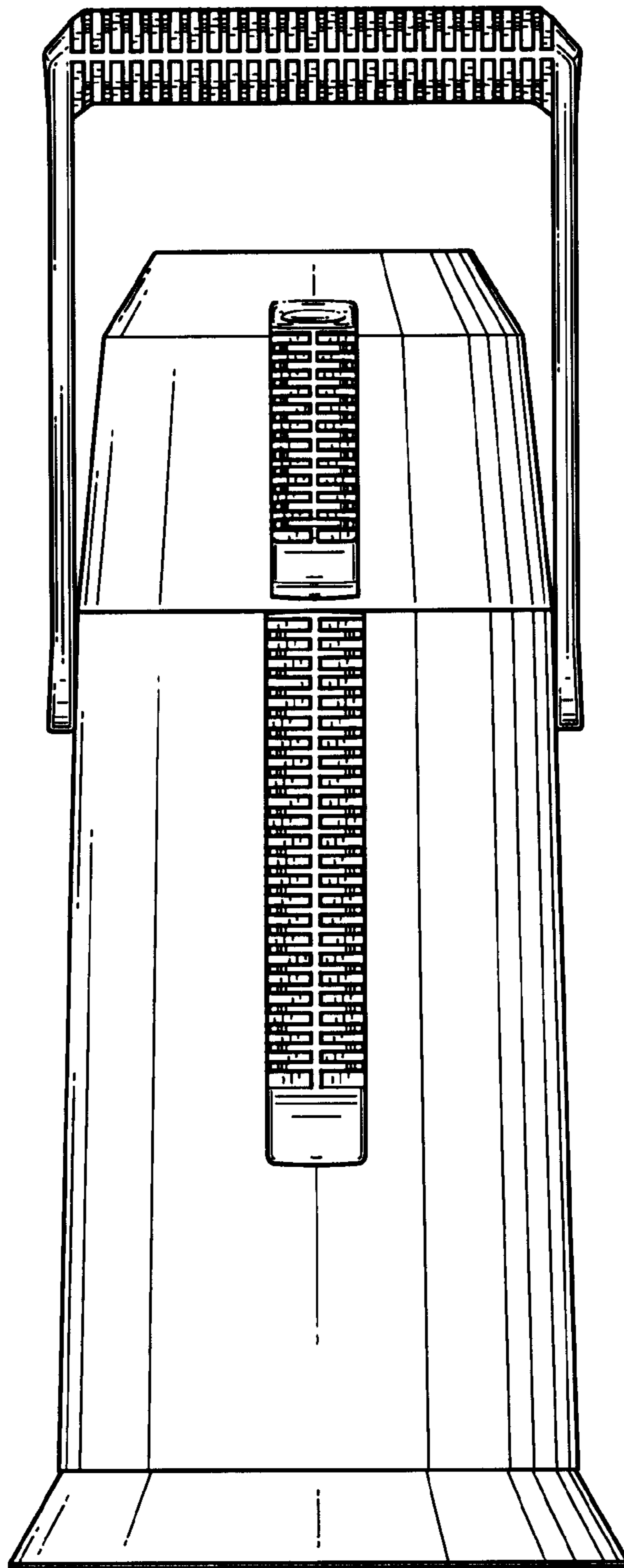


FIG. 3

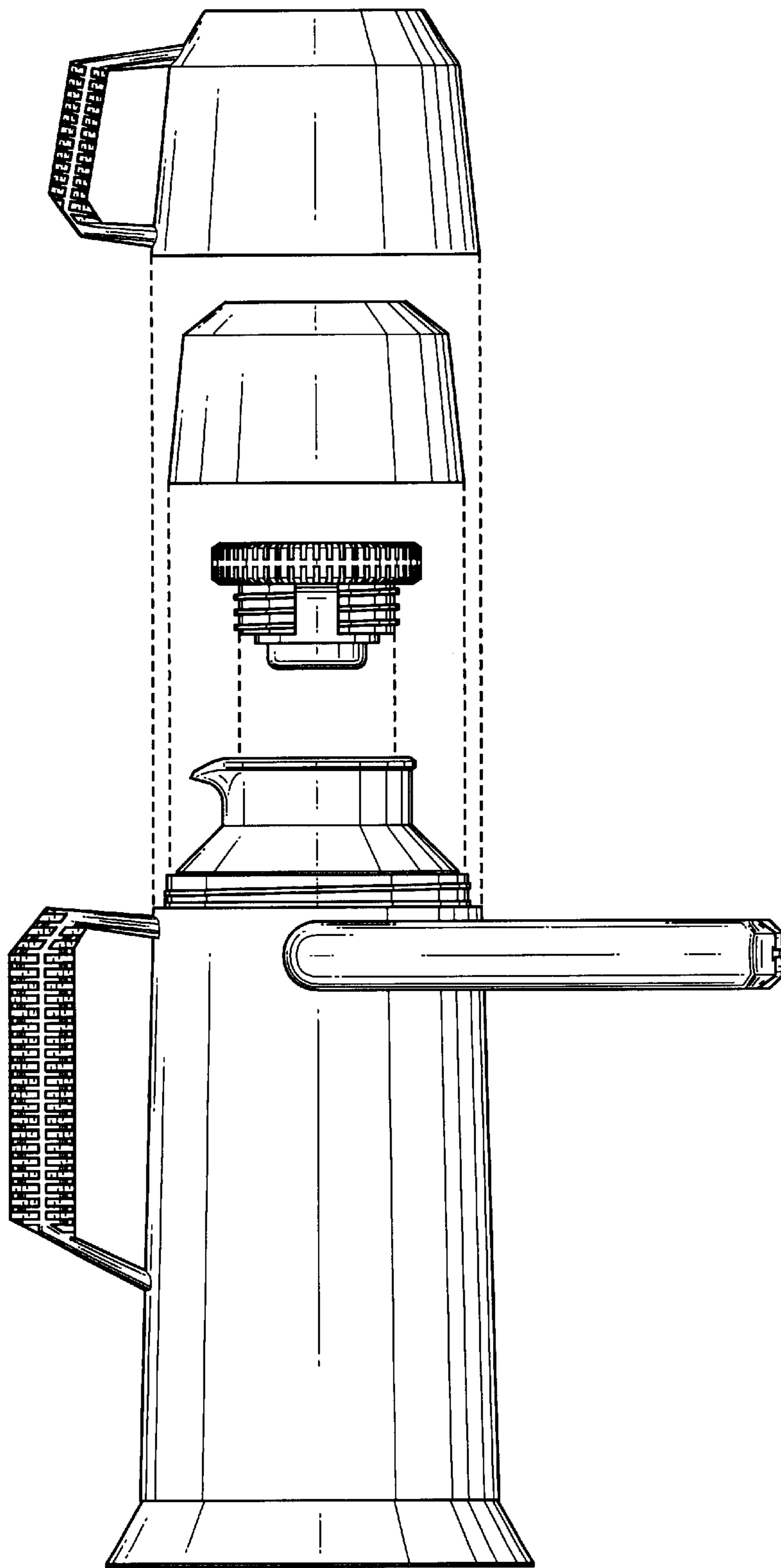


FIG. 4

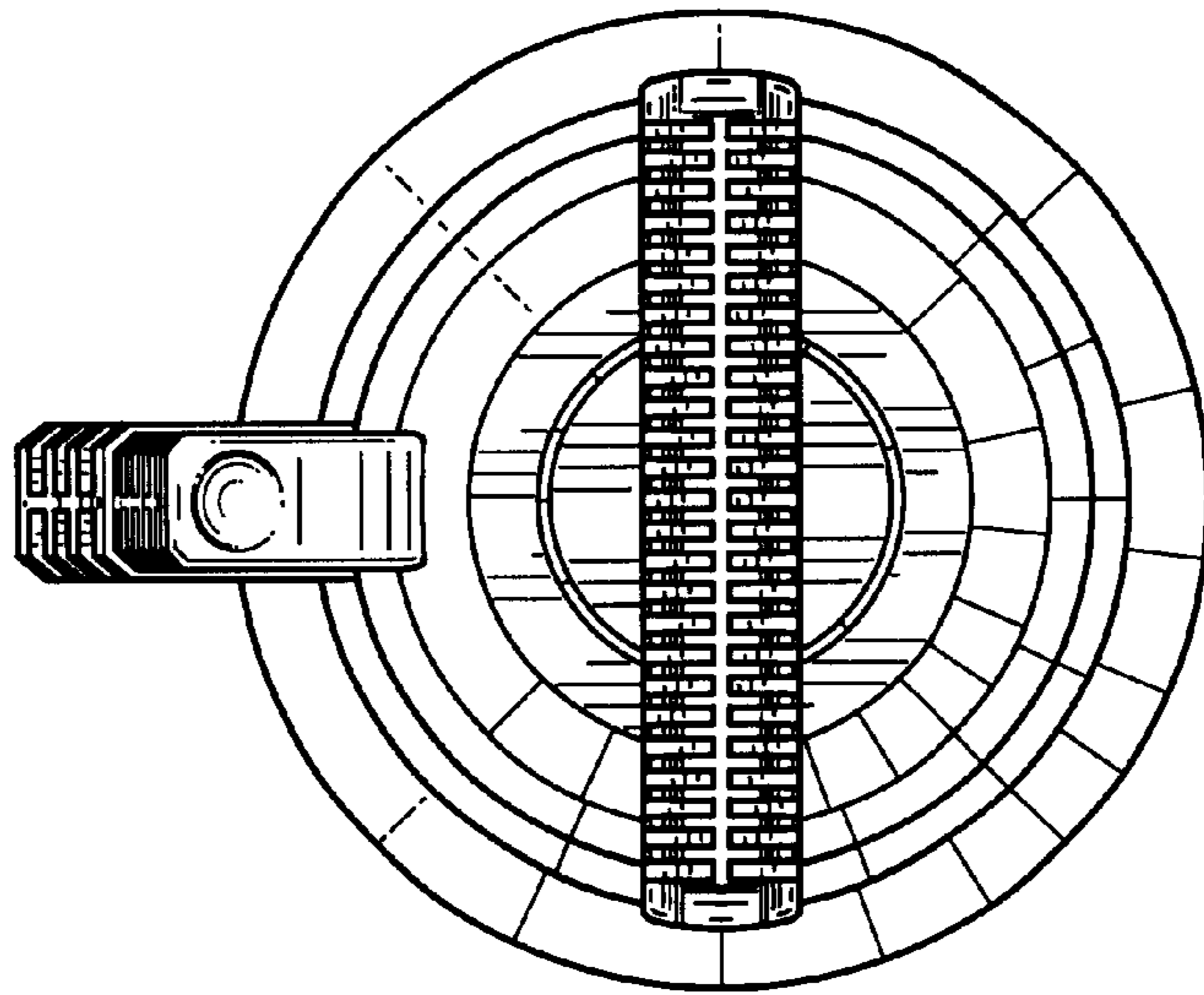


FIG. 5

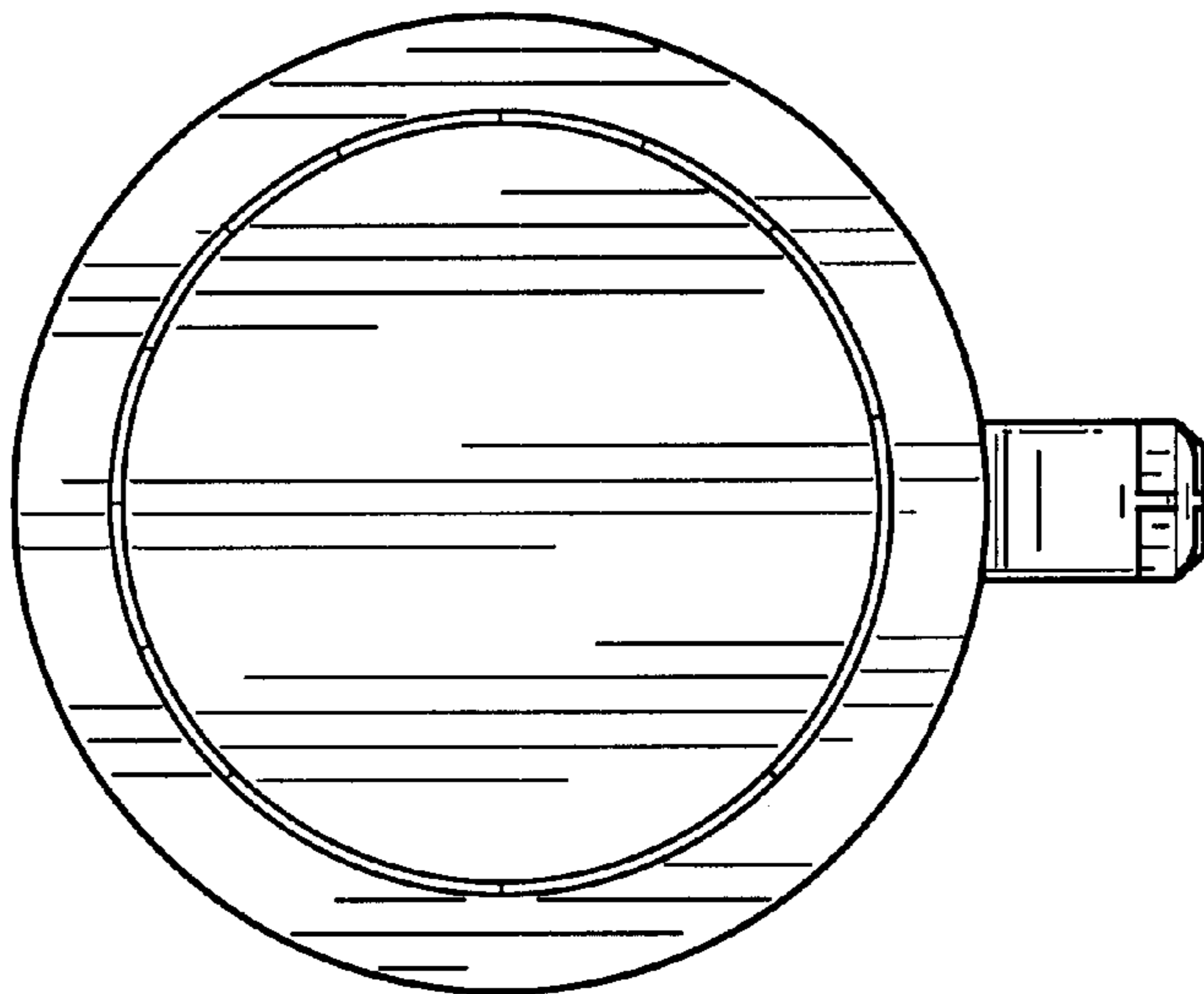


FIG. 7

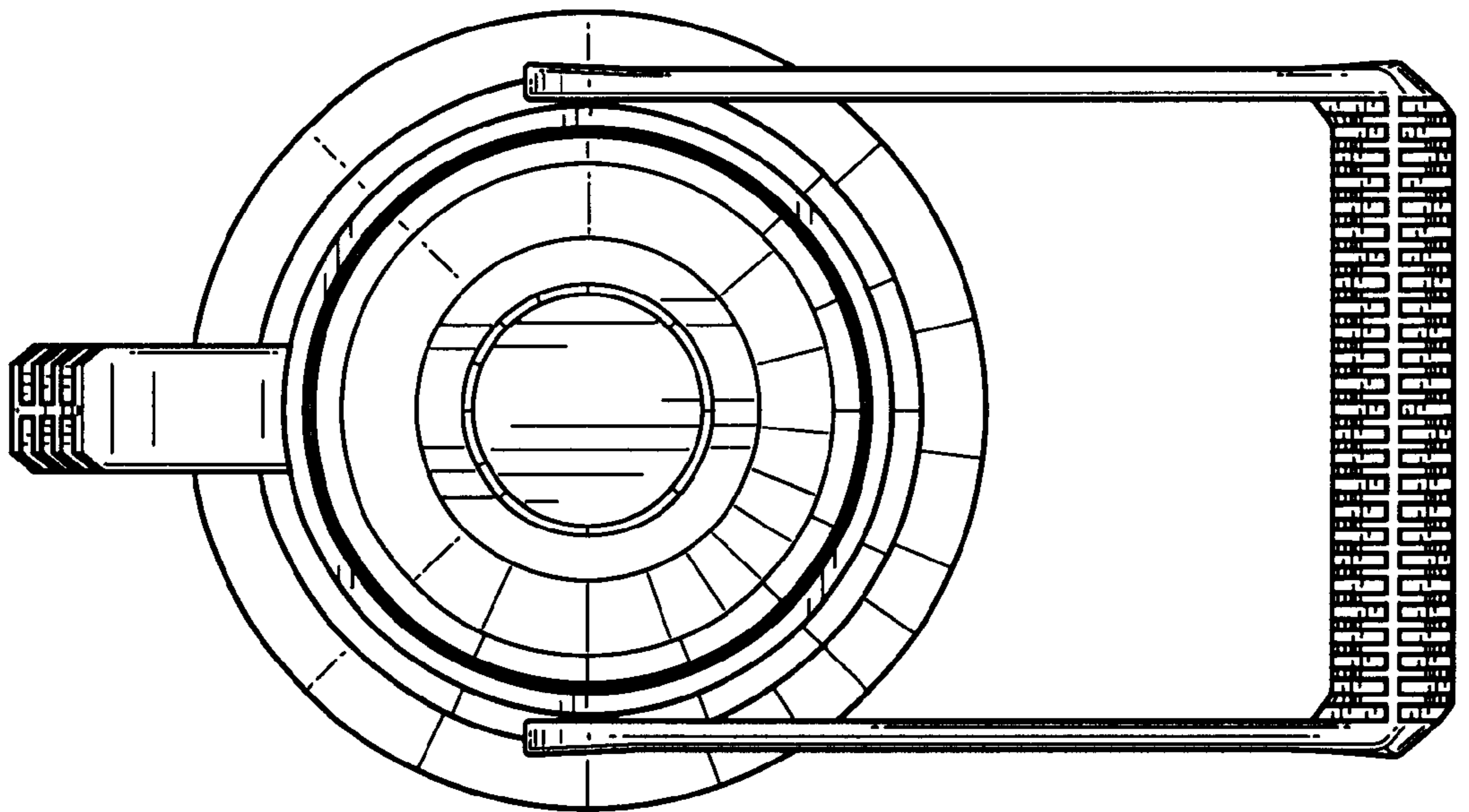


FIG. 6