



US00D452799B1

(12) **United States Design Patent**
Moran

(10) **Patent No.:** **US D452,799 S**
(45) **Date of Patent:** **** Jan. 8, 2002**

(54) **VACUUM FLASK WITH FLARED BASE**

D416,448 S * 11/1999 Webb et al. D7/608

(75) Inventor: **Jorge E. Moran**, Nashville, TN (US)

* cited by examiner

(73) Assignee: **Megatrade International, Inc.**,
Nashville, TN (US)

Primary Examiner—Terry A. Wallace

(74) *Attorney, Agent, or Firm*—Jennifer A. Albert

(**) Term: **14 Years**

(57) **CLAIM**

The ornamental design for a vacuum flask with flared base,
as shown and described.

(21) Appl. No.: **29/135,383**

(22) Filed: **Jan. 12, 2001**

DESCRIPTION

(51) **LOC (7) Cl.** **07-01**

(52) **U.S. Cl.** **D7/608**

(58) **Field of Search** D7/605, 608; D9/501–504;
62/457.1, 457.7; 215/6, 12.1, 12.2, 13.1;
220/592.16, 592.2, 592.27

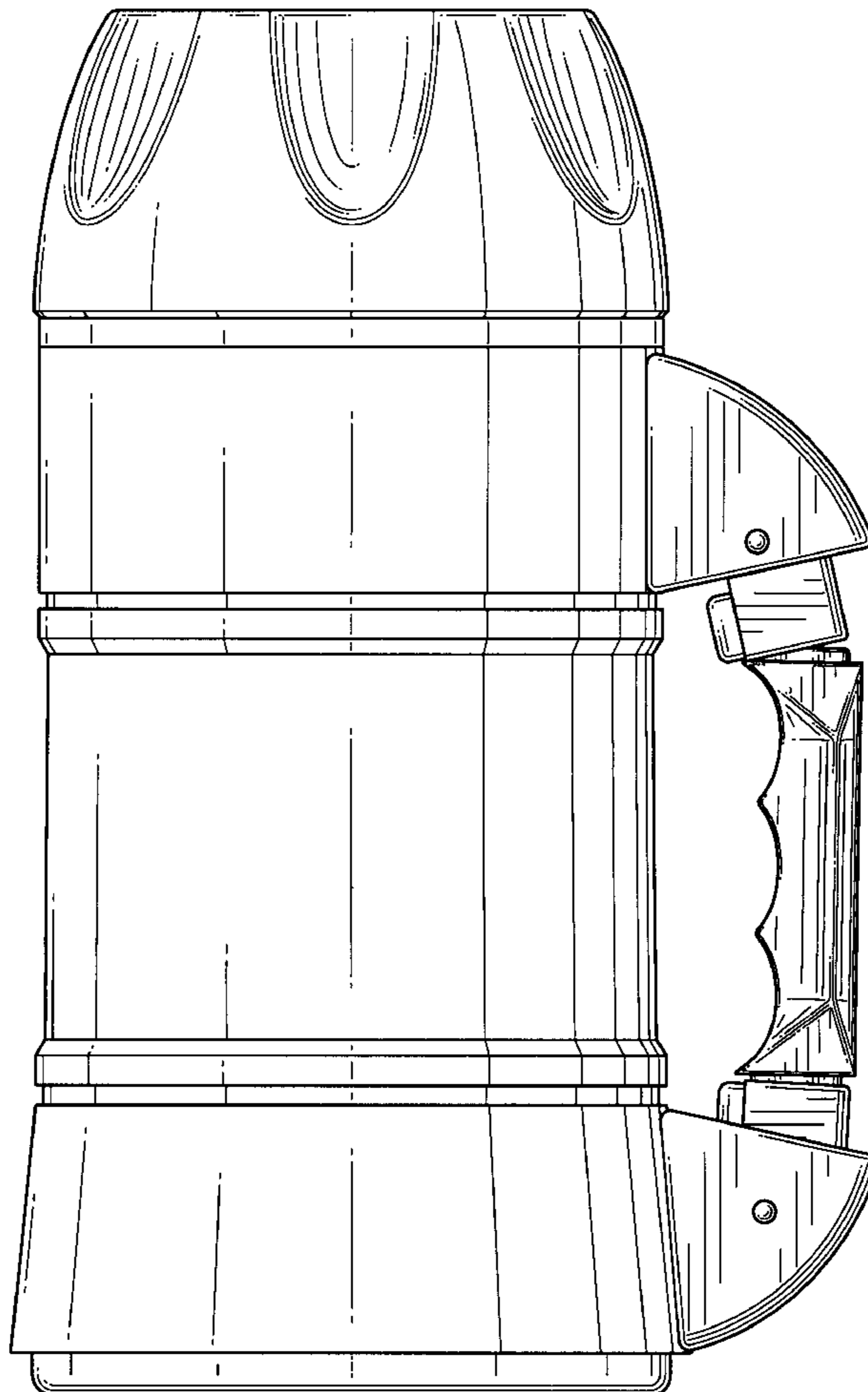
FIG. 1 is a front elevational view of the vacuum flask with
flared base showing my new design;
FIG. 2 is a side elevational view thereof;
FIG. 3 is a rear elevational view thereof;
FIG. 4 is an exploded side elevational view thereof;
FIG. 5 is a top plan view thereof with the drinking cup
attached;
FIG. 6 is a top plan view thereof with the drinking cup
removed; and,
FIG. 7 is a bottom plan view thereof.

(56) **References Cited**

U.S. PATENT DOCUMENTS

3,067,896 A * 12/1962 Berg et al. 215/12.1
D378,652 S * 4/1997 Yamanaka et al. D7/608
D406,014 S * 2/1999 Moran D7/608

1 Claim, 6 Drawing Sheets



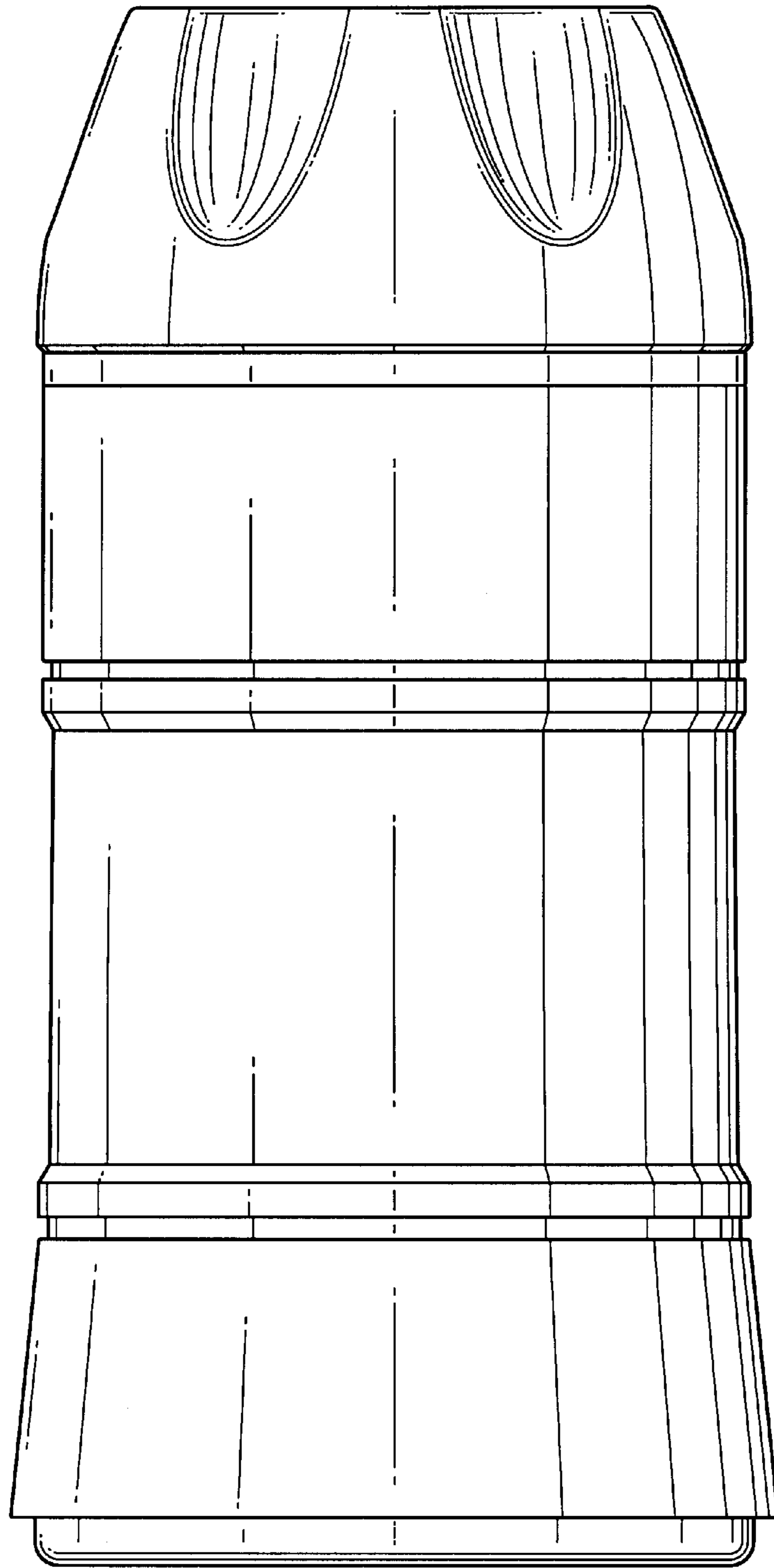


FIG. 1

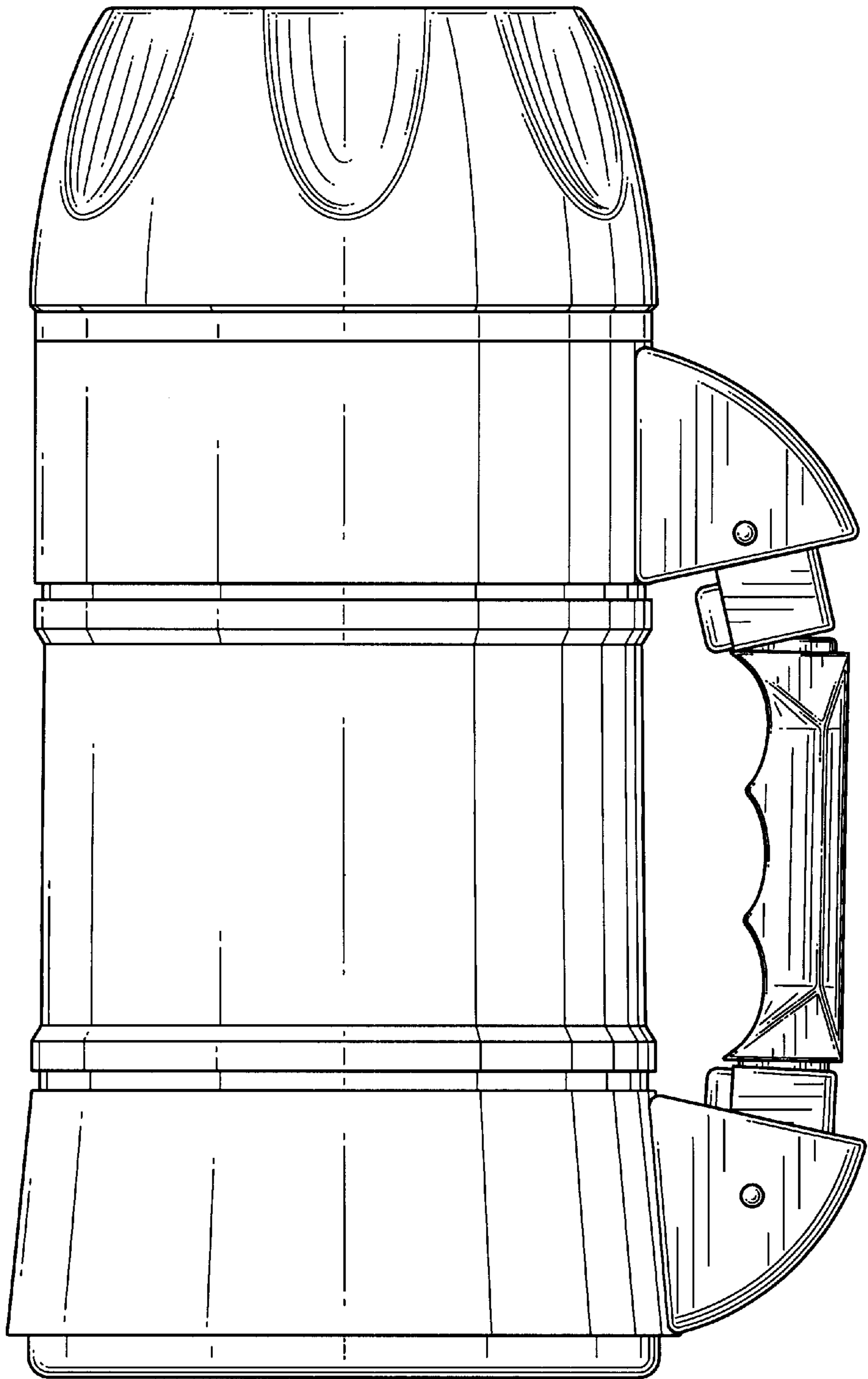


FIG. 2

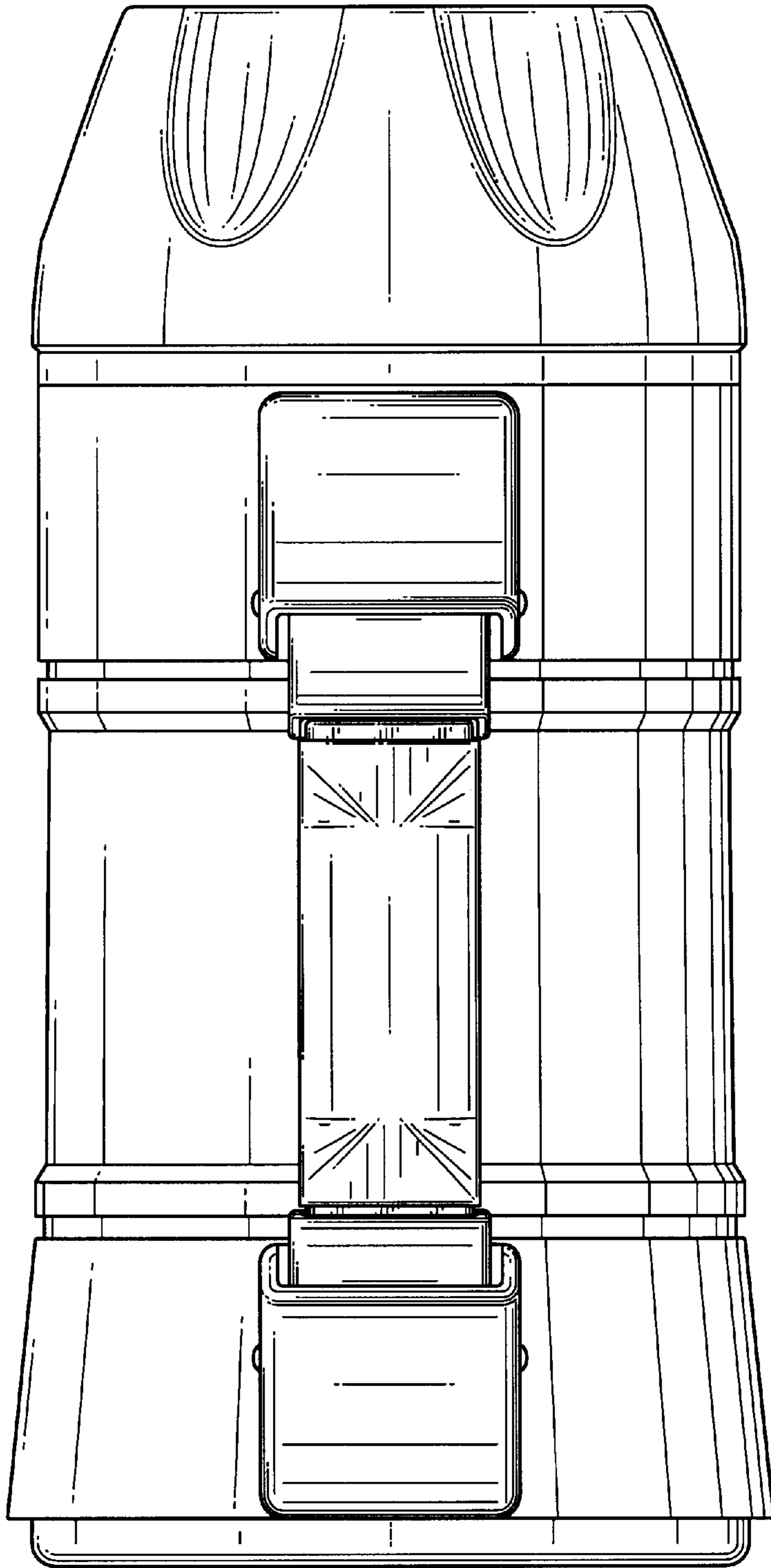


FIG. 3

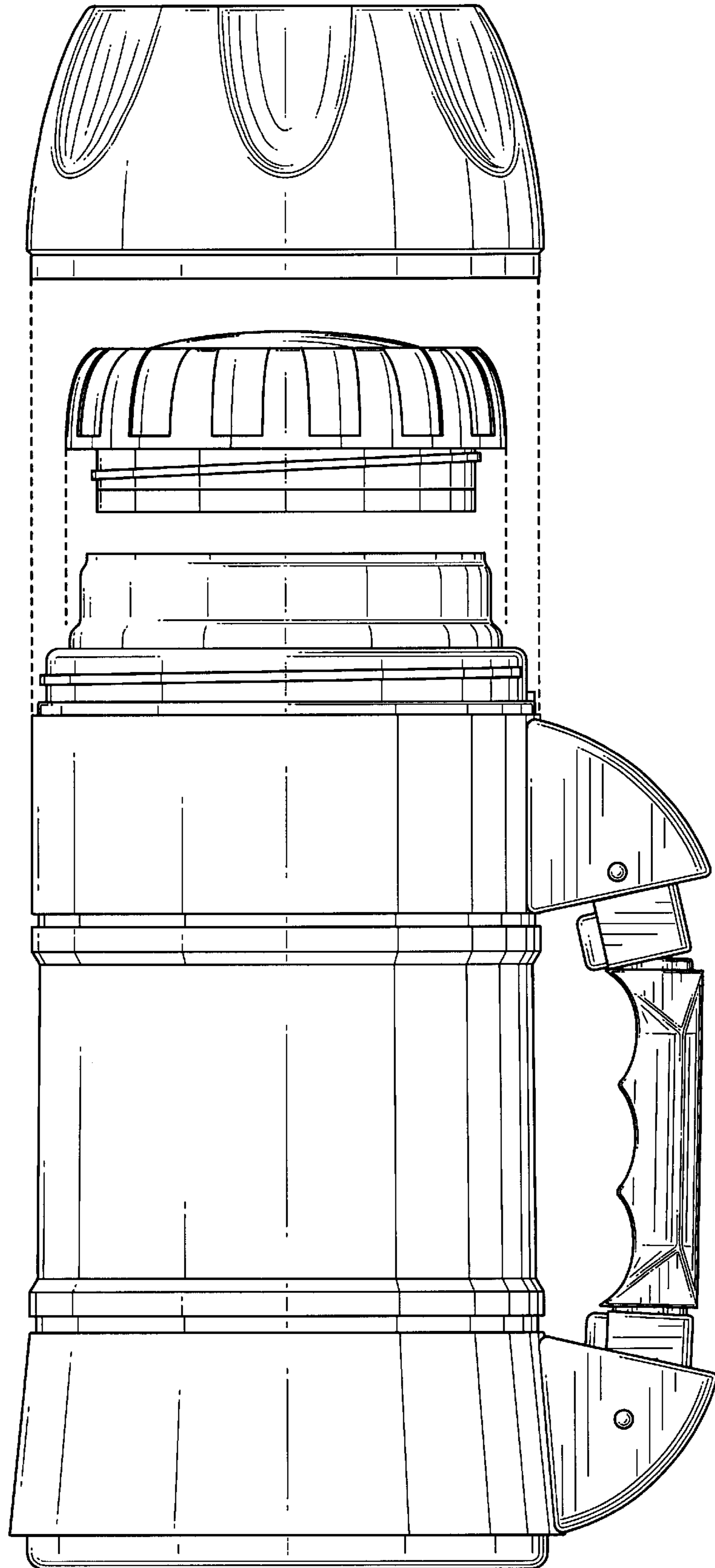


FIG. 4

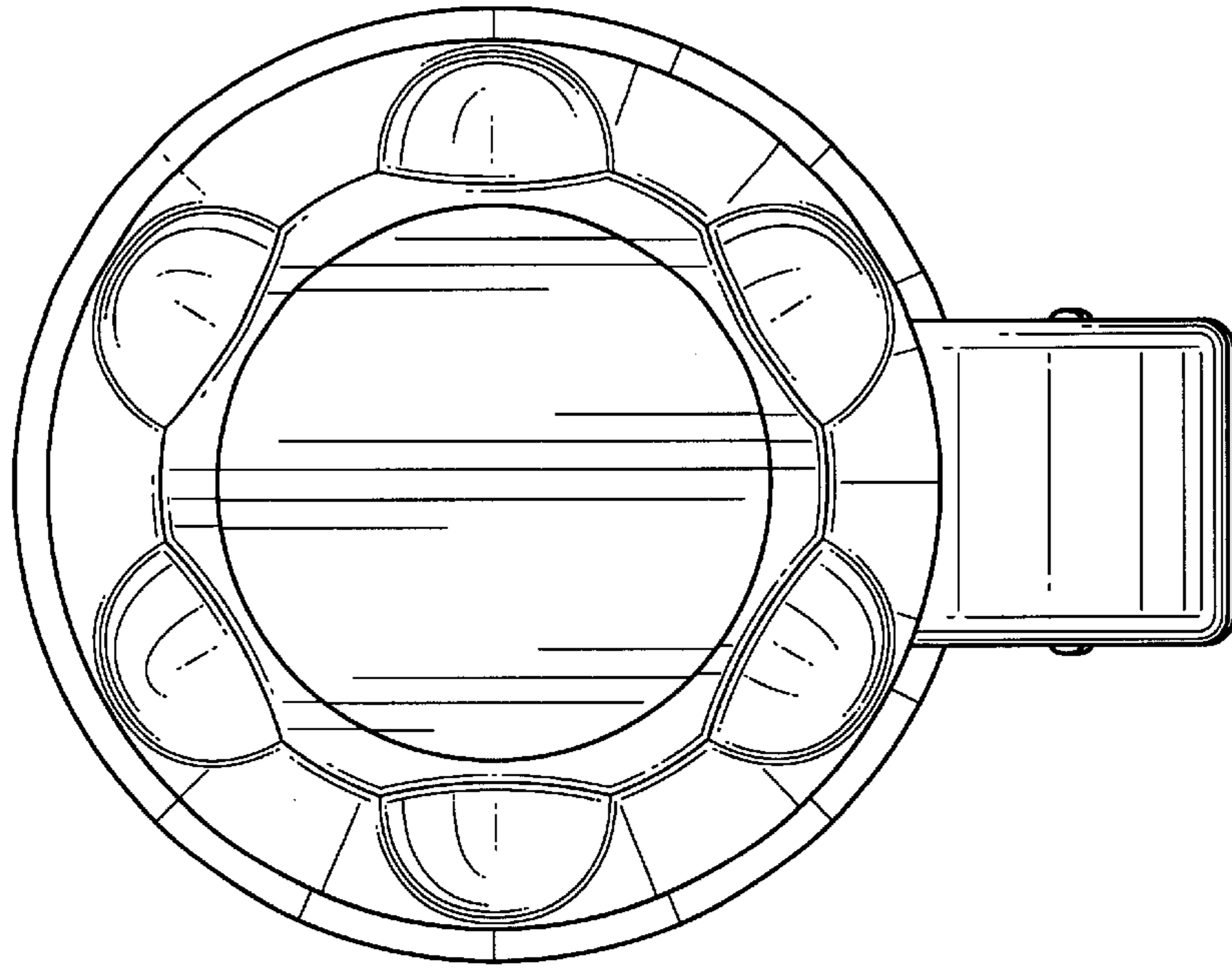


FIG. 5

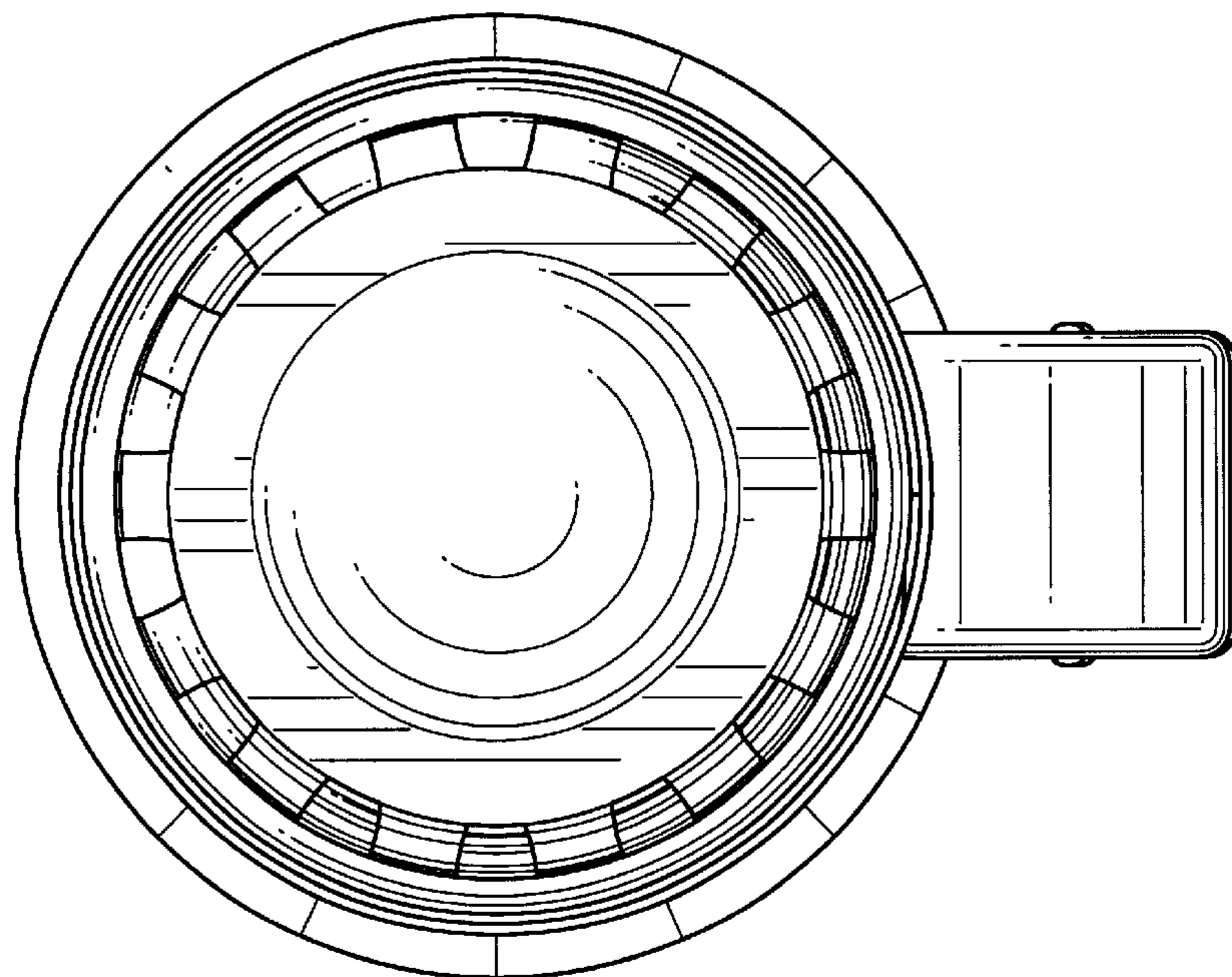


FIG. 6

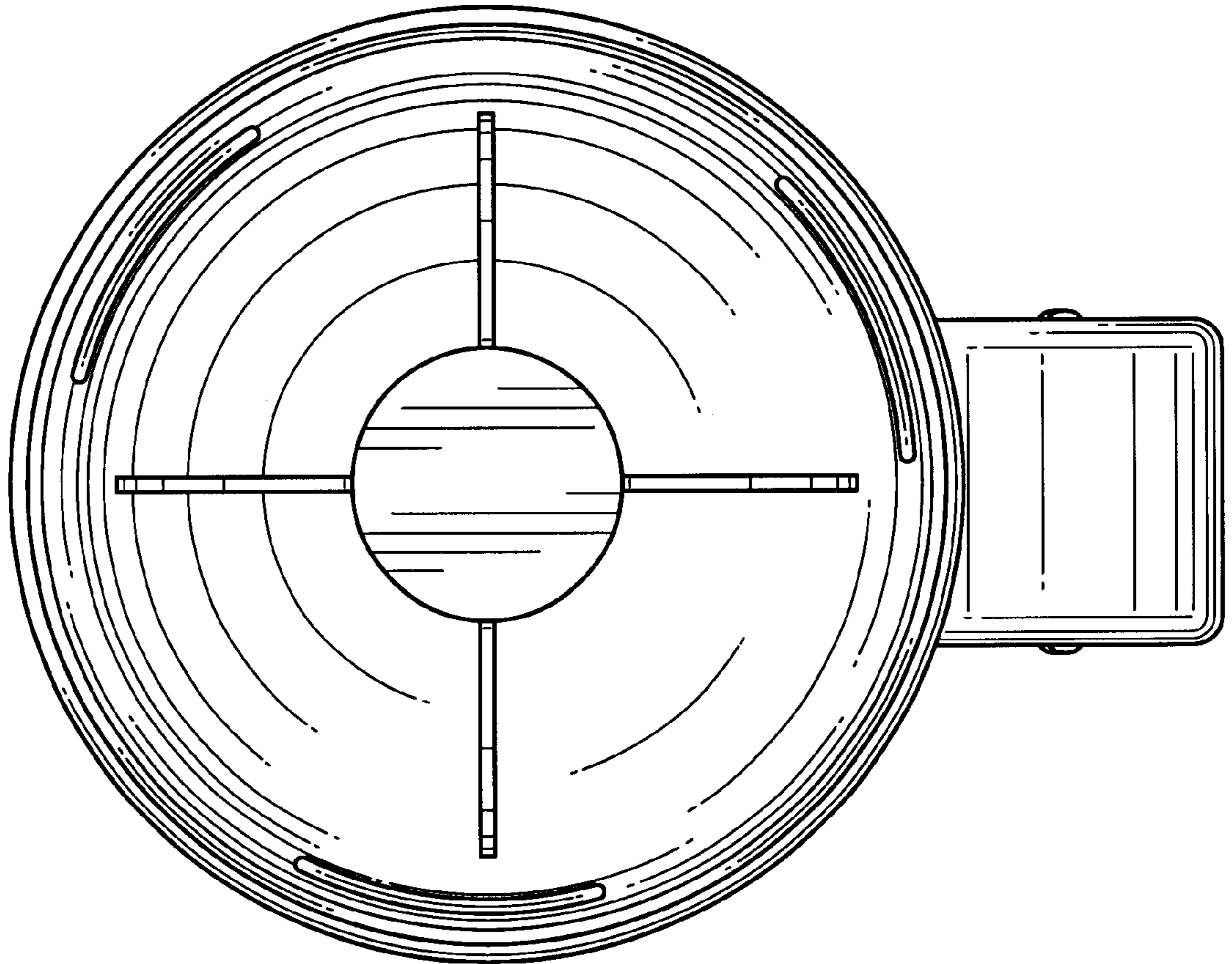


FIG. 7