



US00D452788B1

(12) **United States Design Patent**  
**Neiberger et al.**

(10) **Patent No.:** **US D452,788 S**

(45) **Date of Patent:** **\*\* Jan. 8, 2002**

(54) **PLASTIC FILM DISPENSER**

(75) Inventors: **Sean A. Neiberger**, Los Angeles; **Ian R. Kaiser**, La Canada, both of CA (US)

(73) Assignee: **The Colman Group, Inc.**, Elkhorn, WI (US)

(\*\*) Term: **14 Years**

(21) Appl. No.: **29/134,812**

(22) Filed: **Dec. 29, 2000**

(51) **LOC (7) Cl.** ..... **20-02**

(52) **U.S. Cl.** ..... **D6/518**

(58) **Field of Search** ..... D6/515-523; 242/55.2; 312/37-39; 206/389; 211/16; 248/309

(56) **References Cited**

**U.S. PATENT DOCUMENTS**

- D272,021 S 1/1984 Ruff
- 5,292,046 A 3/1994 Kaiser et al.
- D347,345 S 5/1994 Kaiser et al.
- D357,377 S \* 4/1995 Manu et al. .... D6/518

- 5,772,094 A 6/1998 Kaiser et al.
- D396,978 S 8/1998 Kaiser et al.
- D441,577 S \* 5/2001 Benedetti ..... D6/518

\* cited by examiner

*Primary Examiner*—Brian N. Vinson

(74) *Attorney, Agent, or Firm*—Adam L. Brookman; Godfrey & Kahn, S.C.

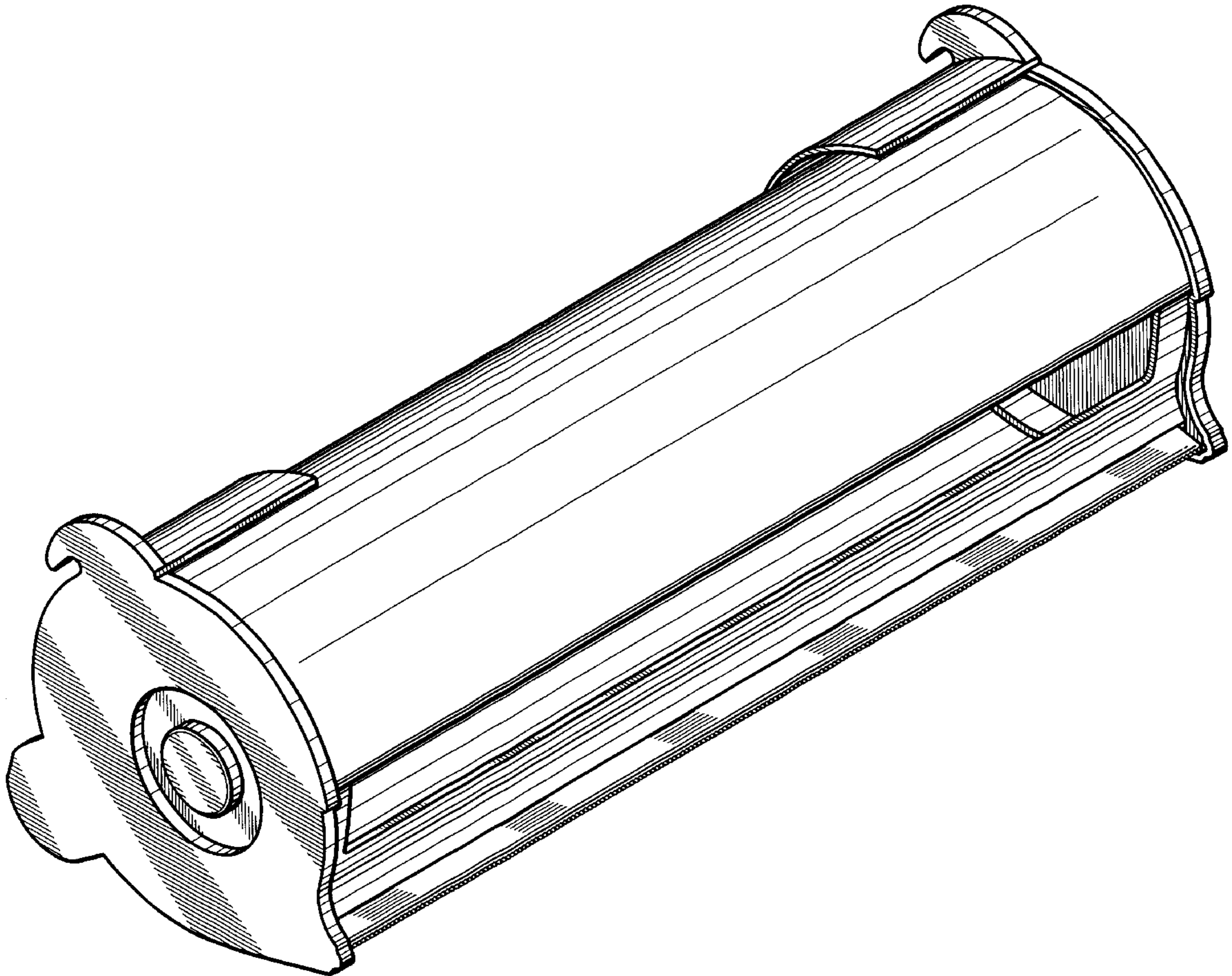
(57) **CLAIM**

The ornamental design for a plastic film dispenser, as shown and described.

**DESCRIPTION**

FIG. 1 is a perspective view of a plastic film dispenser embodying our new design.  
 FIG. 2 is a front elevational view thereof.  
 FIG. 3 is a right side view thereof.  
 FIG. 4 is a back view thereof.  
 FIG. 5 is a left side view thereof.  
 FIG. 6 is a top plan view thereof; and,  
 FIG. 7 is a bottom view thereof.

**1 Claim, 4 Drawing Sheets**



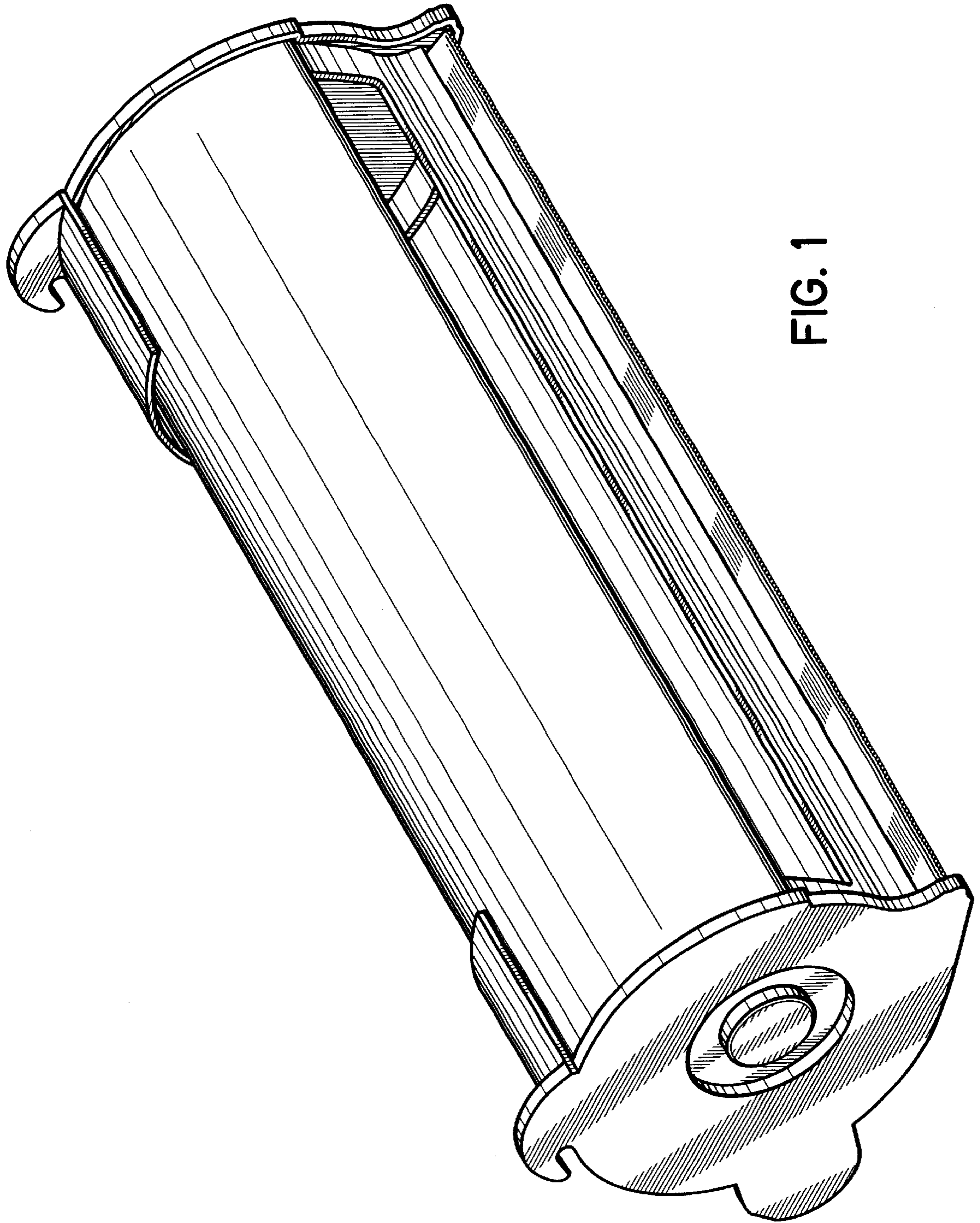


FIG. 1

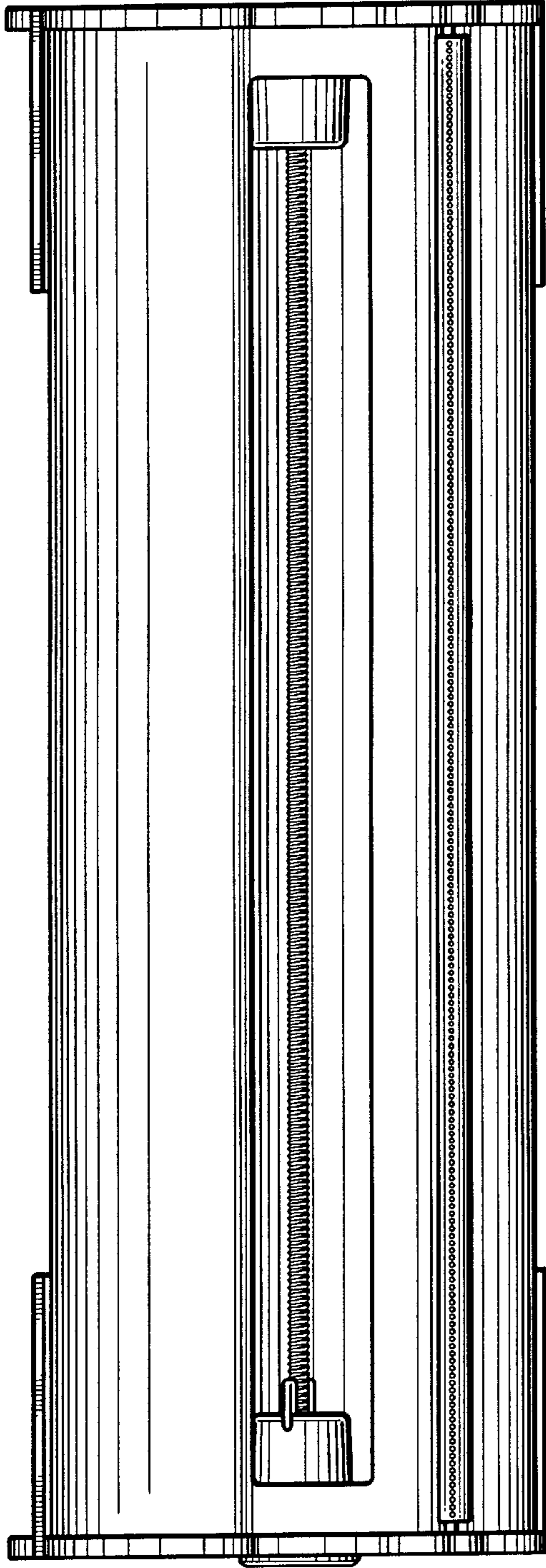


FIG. 2

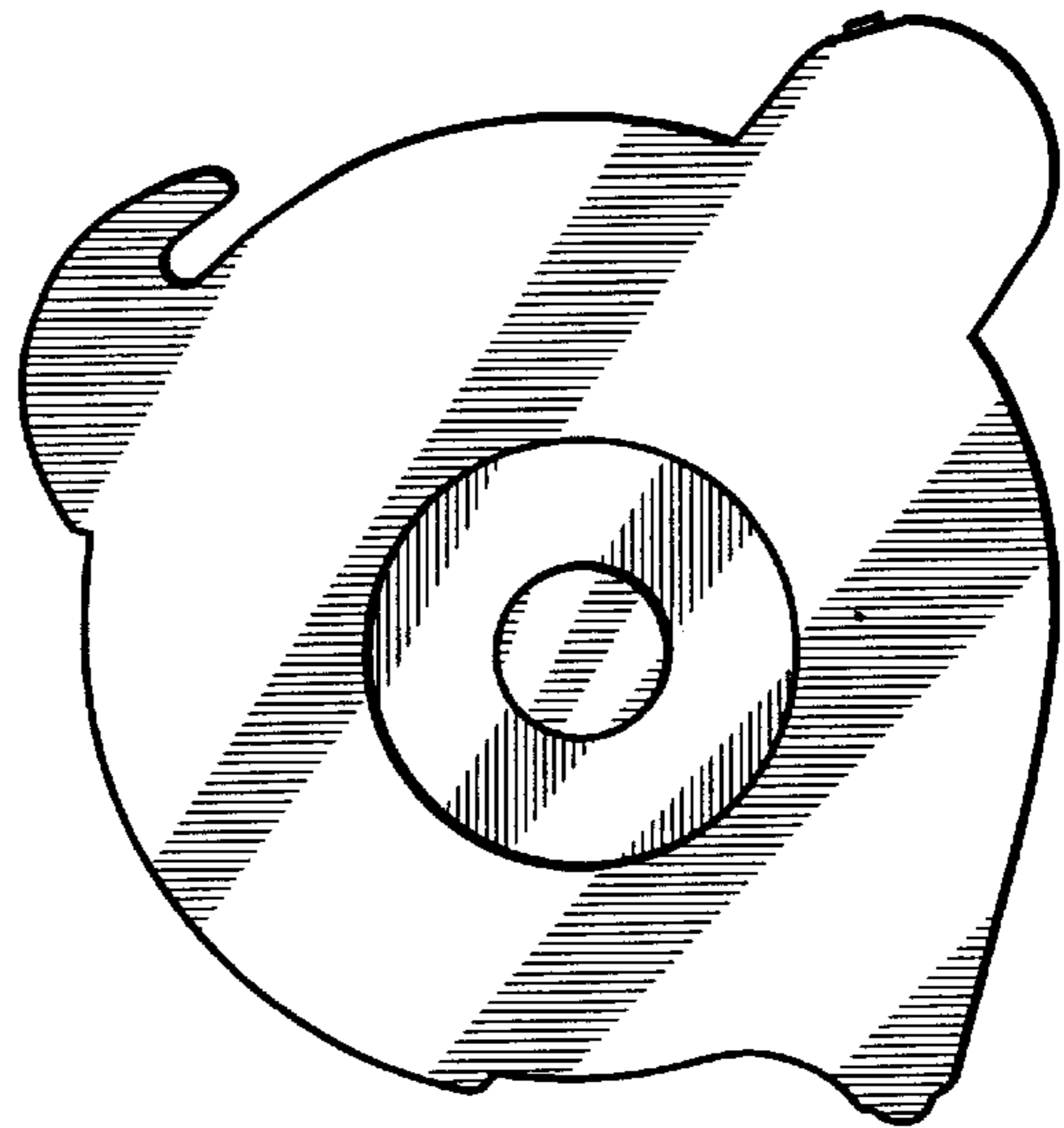


FIG. 3

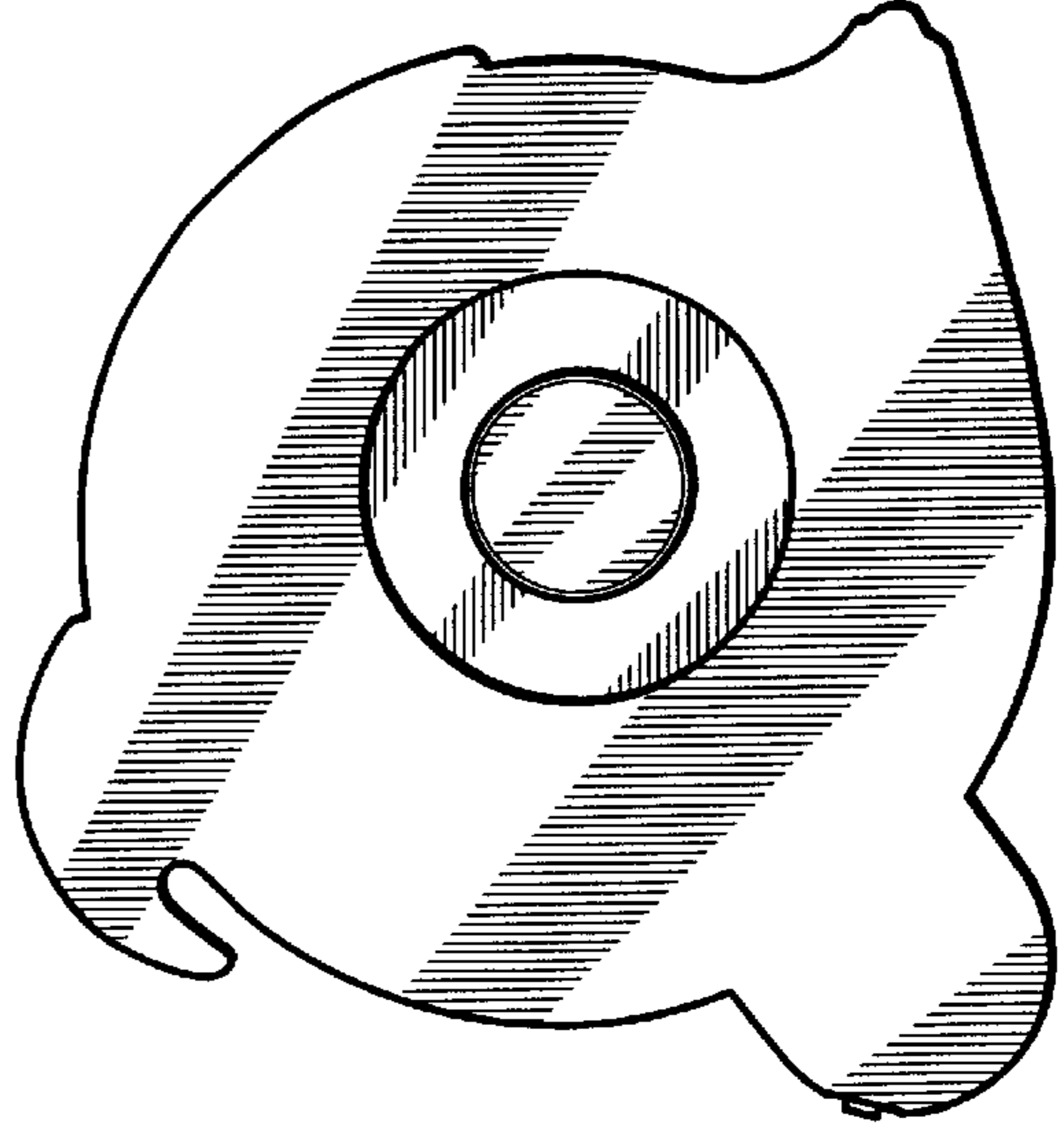


FIG. 5

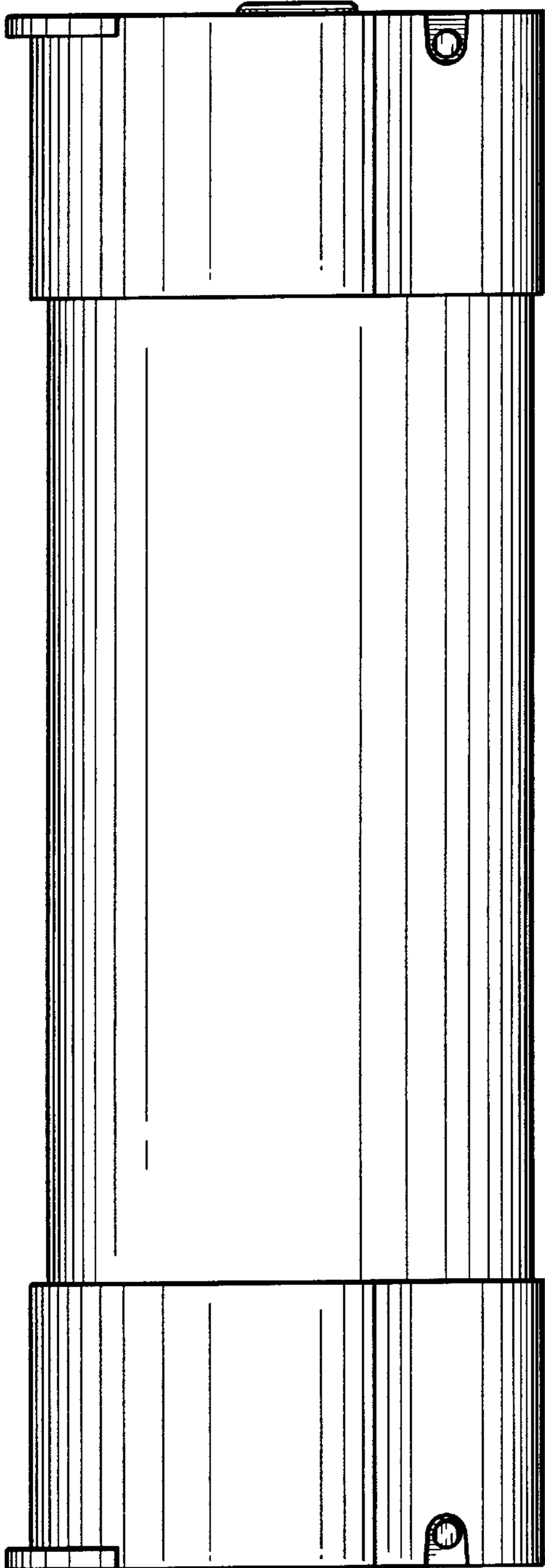


FIG. 4

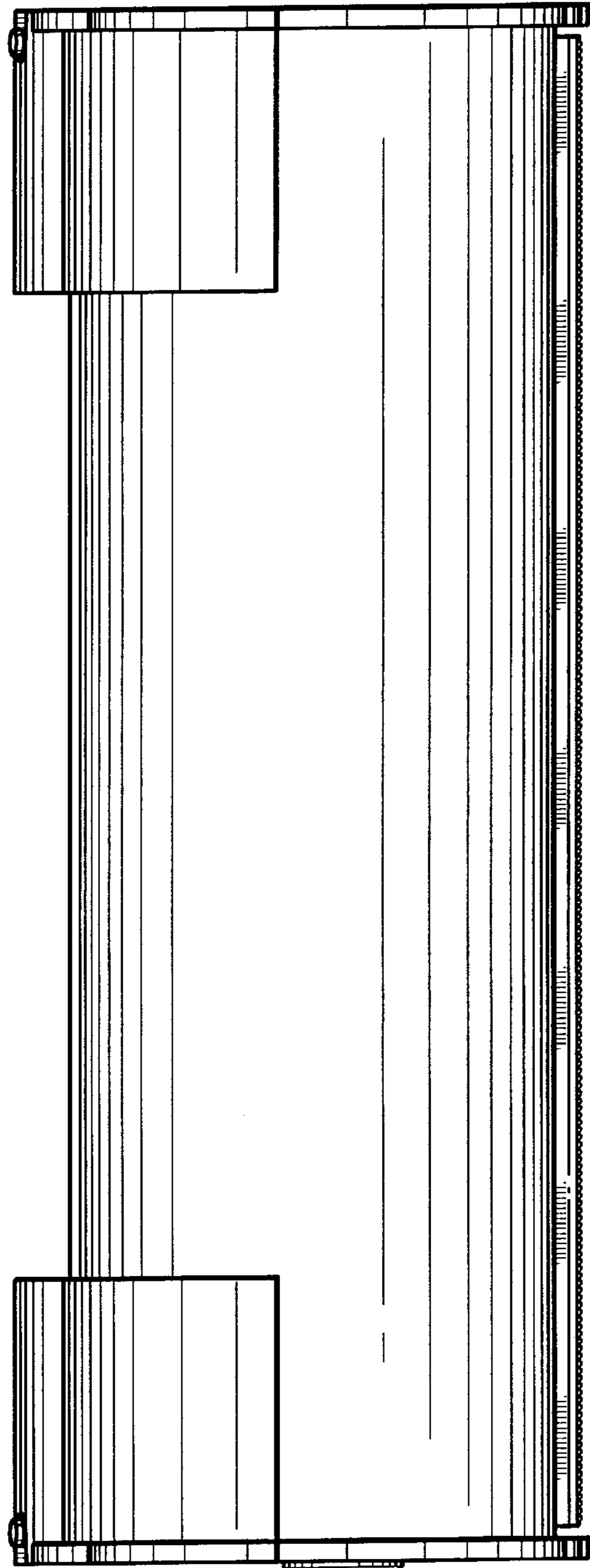


FIG. 6

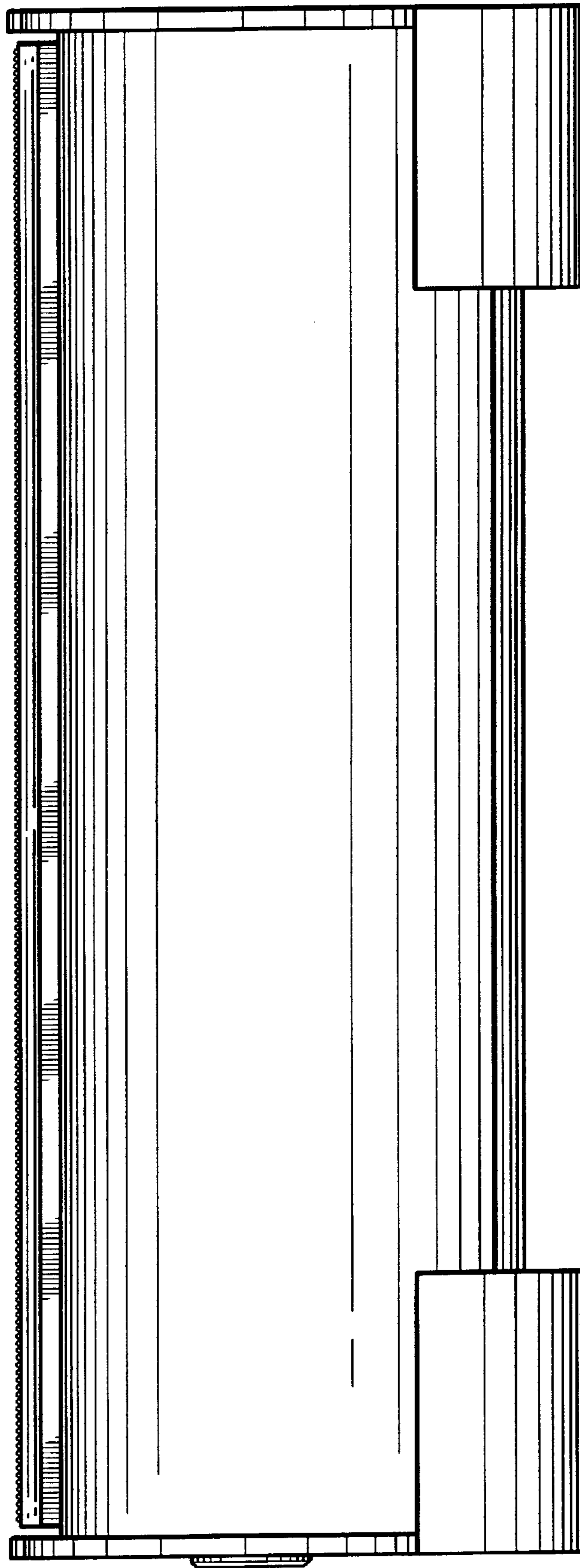


FIG. 7