



US00D452786B1

(12) **United States Design Patent**  
**Petri**

(10) **Patent No.:** **US D452,786 S**

(45) **Date of Patent:** **\*\* Jan. 8, 2002**

(54) **CREDENZA TOP**

(75) Inventor: **Manfred Petri**, Marietta, GA (US)

(73) Assignee: **Tella Systems (1998), Inc.**, Lasalle (CA)

(\*\*) Term: **14 Years**

(21) Appl. No.: **29/125,994**

(22) Filed: **Jul. 7, 2000**

(30) **Foreign Application Priority Data**

Feb. 15, 2000 (CA) ..... 2000-0463

(51) **LOC (7) Cl.** ..... **06-06**

(52) **U.S. Cl.** ..... **D6/511; D6/482**

(58) **Field of Search** ..... D6/480-489, 511,  
D6/427, 428, 432, 441; 108/153.1, 156,  
155, 157.1, 161, 50.01, 50.02; 312/140.3,  
208.1, 194-197

(56) **References Cited**

**U.S. PATENT DOCUMENTS**

D294,666 S \* 3/1988 Favaretto et al. .... D6/487  
5,341,749 A \* 8/1994 Noakes ..... 108/64

D391,106 S \* 2/1998 Camilo ..... D6/562  
D405,979 S \* 2/1999 Kramer et al. .... D6/421

\* cited by examiner

*Primary Examiner*—Janice E. Seeger

(74) *Attorney, Agent, or Firm*—Finnegan, Henderson, Farabow, Garrett, and Dunner, L.L.P.

(57) **CLAIM**

The ornamental design for a credenza top, as shown and described.

**DESCRIPTION**

FIG. 1 is an isometric view of the credenza top of the present invention as a whole.

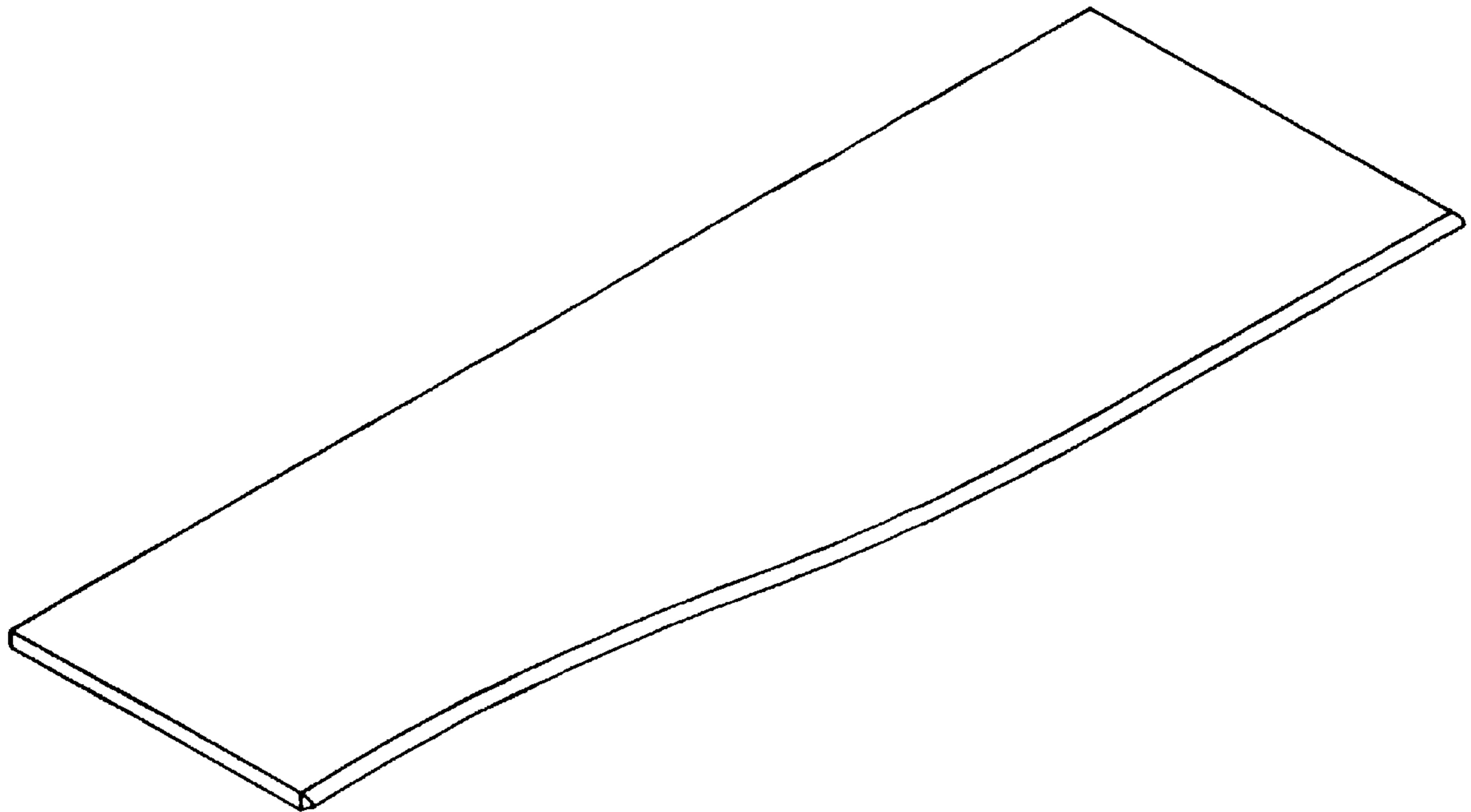
FIG. 2 is a top view of the credenza top of the present invention in plan.

FIG. 3 is a side view of the credenza top of the present invention; and,

FIG. 4 is a side view of the left edge of the credenza top of the present invention.

The credenza top has a top with a specifically designed geometric shape with straight edges on three (3) sides and a curved and straight profiled edge on the fourth side.

**1 Claim, 4 Drawing Sheets**



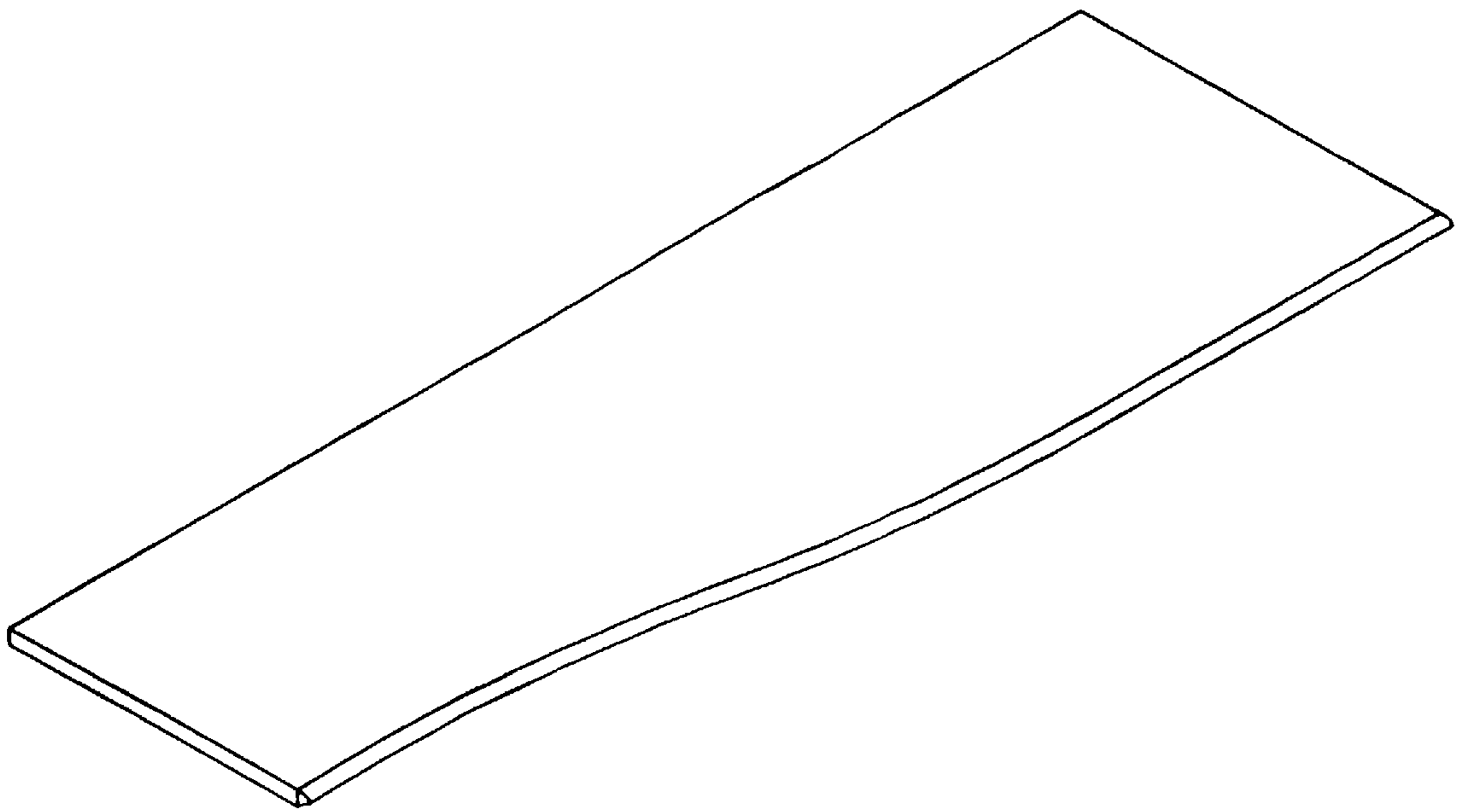


FIGURE 1

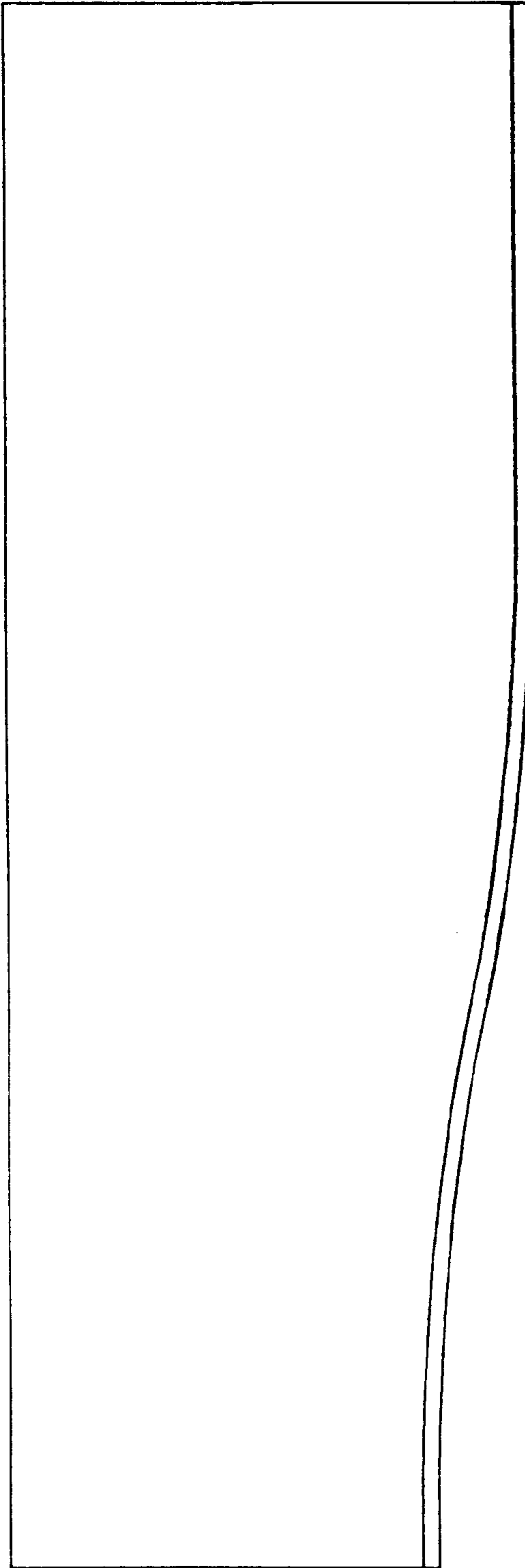


FIGURE 2



FIGURE 3

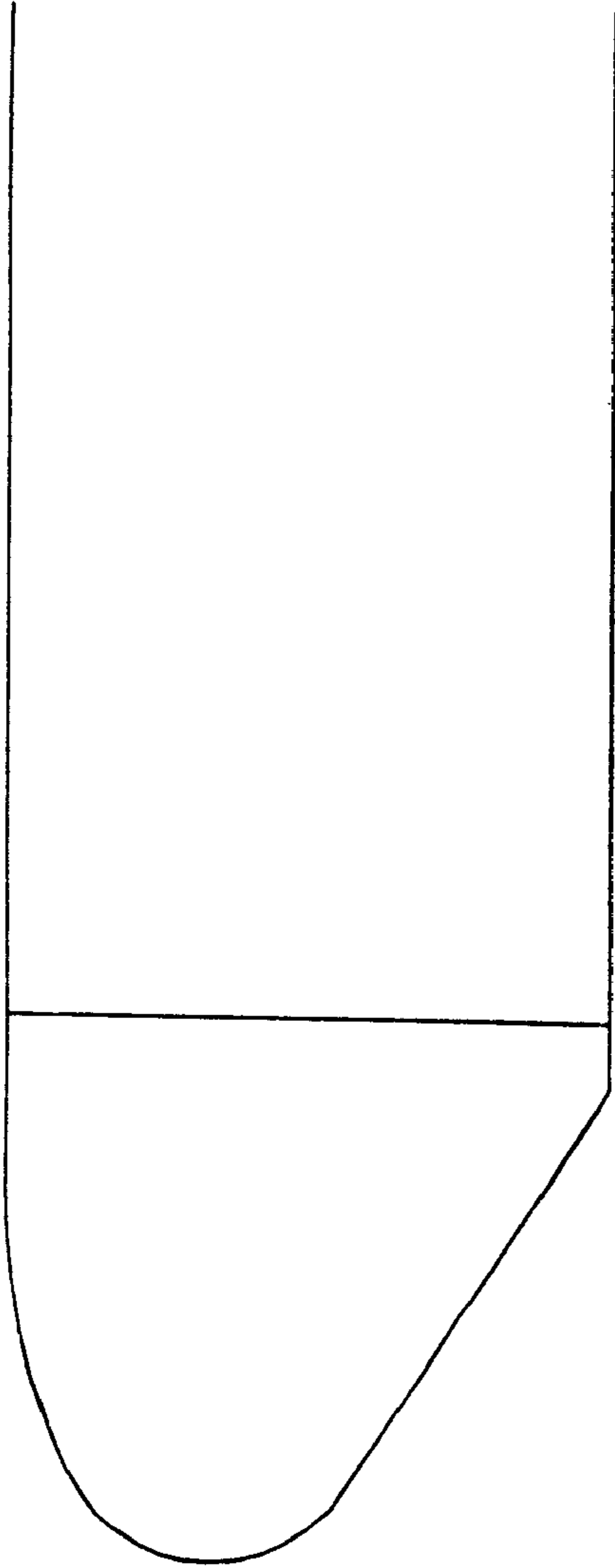


FIGURE 4