



US00D452781B1

(12) **United States Design Patent**  
**Kolberg**

(10) **Patent No.:** **US D452,781 S**

(45) **Date of Patent:** **\*\* Jan. 8, 2002**

(54) **TABLE PROGRAM**

(75) Inventor: **Justus Kolberg**, Hamburg (DE)

(73) Assignee: **Renz GmbH**, Boeblingen (DE)

(\*\*) Term: **14 Years**

(21) Appl. No.: **29/132,191**

(22) Filed: **Nov. 6, 2000**

(30) **Foreign Application Priority Data**

May 12, 2000 (DE) ..... 400 04 880

(51) **LOC (7) Cl.** ..... **06-07**

(52) **U.S. Cl.** ..... **D6/422**

(58) **Field of Search** ..... D6/422-428, 484,  
D6/477, 474; 312/194-196, 208.1; 108/50.01,  
50.02

(56) **References Cited**

**U.S. PATENT DOCUMENTS**

D214,741 S \* 7/1969 Dean ..... D6/484

D246,216 S \* 11/1977 Heumann ..... D6/484  
D330,123 S \* 10/1992 Moschini ..... D6/422  
D337,404 S \* 7/1993 Miles ..... D34/19  
D346,912 S \* 5/1994 Mezger ..... D6/423

\* cited by examiner

*Primary Examiner*—Janice E. Seeger

(74) *Attorney, Agent, or Firm*—Paul Vincent

(57) **CLAIM**

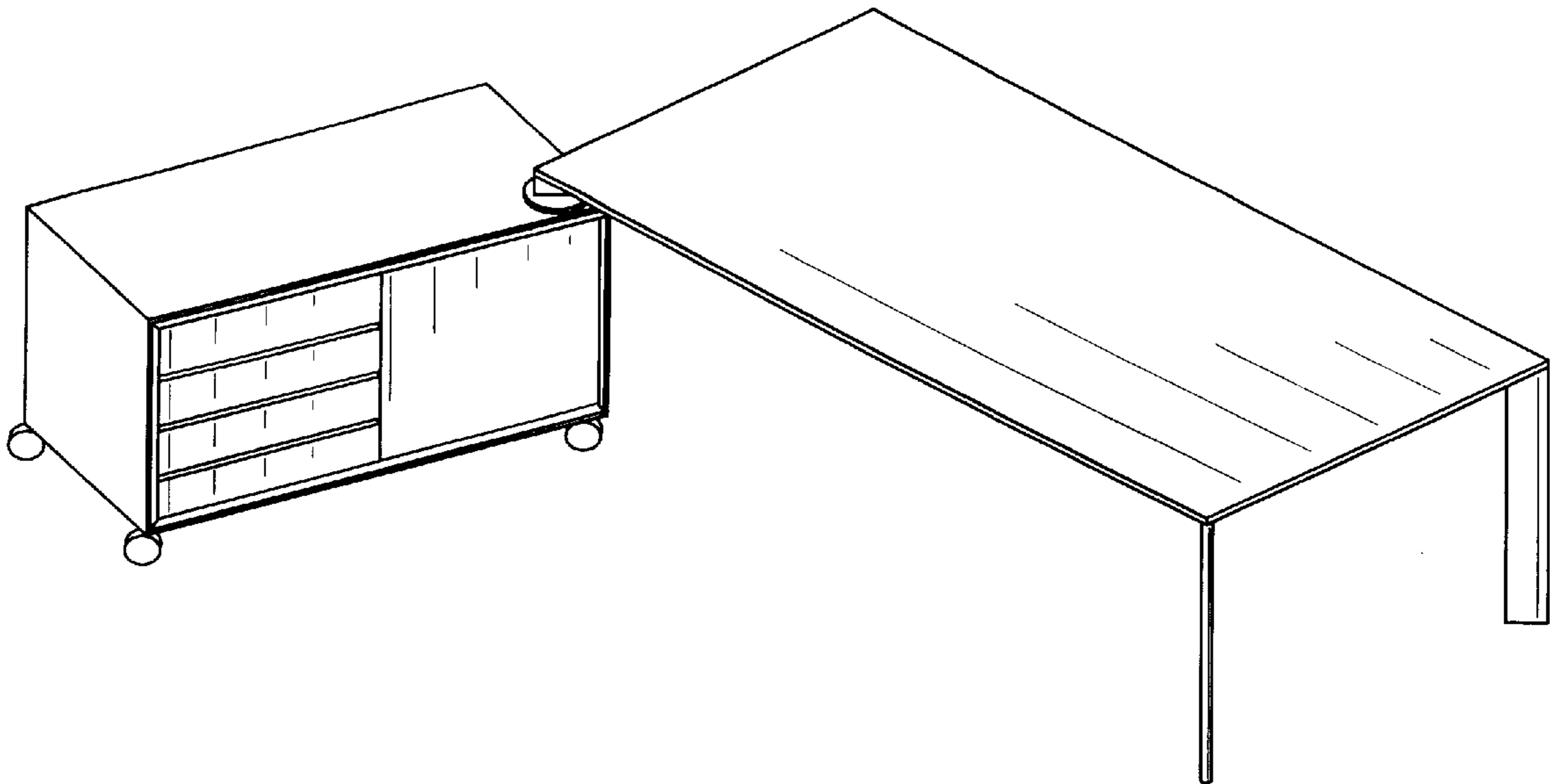
The ornamental design for the table program, as shown.

**DESCRIPTION**

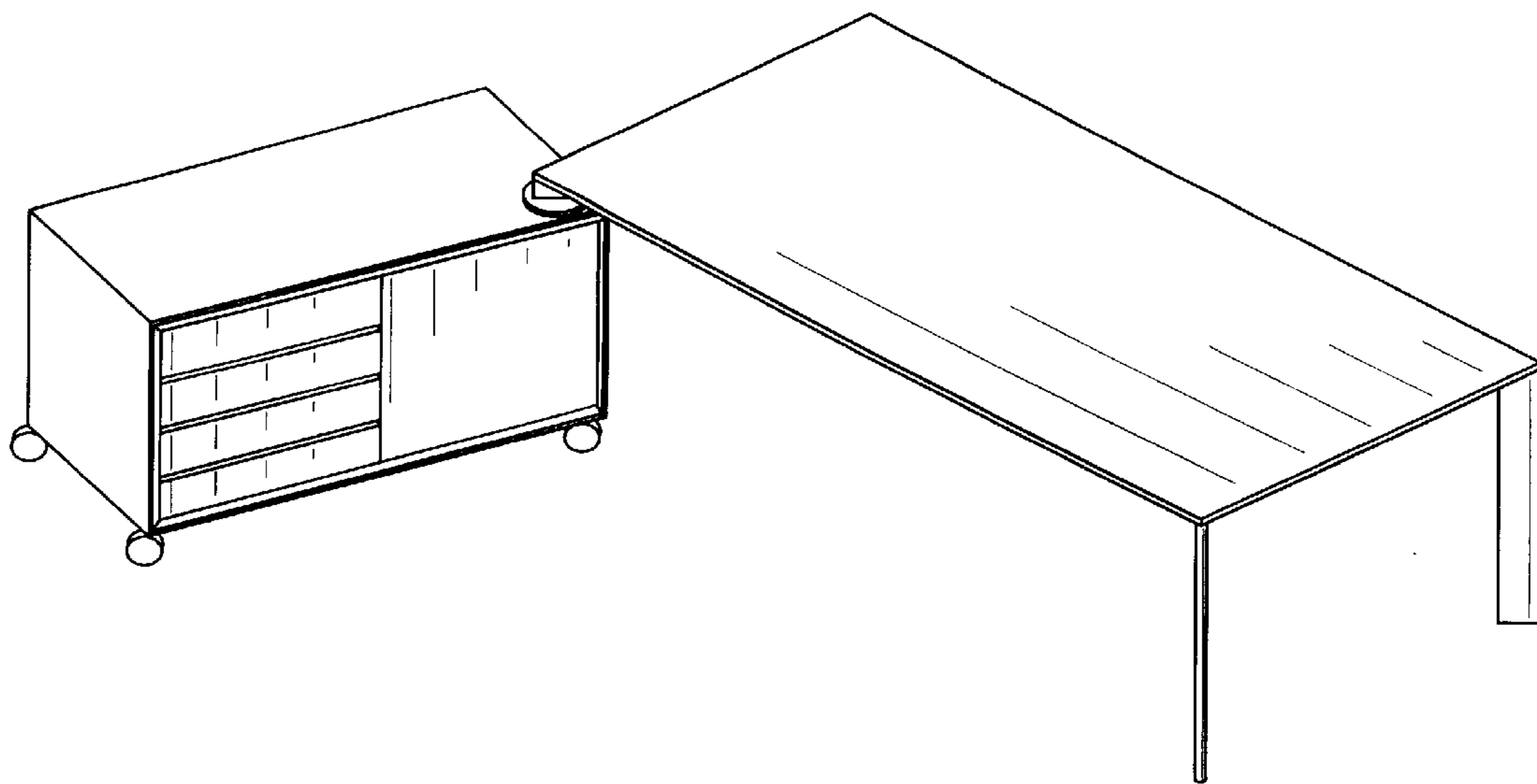
FIG. 1 shows a perspective view of the table program in accordance with the invention; and,

FIG. 2 shows a front view of the table program in accordance with the invention.

**1 Claim, 2 Drawing Sheets**



**Fig. 1**



**Fig. 2**

