



US00D452776B1

(12) **United States Design Patent**
Petner

(10) **Patent No.:** **US D452,776 S**

(45) **Date of Patent:** **** Jan. 8, 2002**

(54) **BRUSH WITH HANDLE**

(75) Inventor: **Robert E. Petner**, Burlington, NJ (US)

(73) Assignee: **Quickie Manufacturing Corporation**,
Cinnaminson, NJ (US)

(**) Term: **14 Years**

(21) Appl. No.: **29/109,806**

(22) Filed: **Aug. 24, 1999**

(51) **LOC (7) Cl.** **04-01**

(52) **U.S. Cl.** **D4/138**

(58) **Field of Search** D4/128, 131, 138;
15/143.1, 159.1, 160, 186, 187, 164, 179,
206; 16/110.1, 430; D7/395

(56) **References Cited**

U.S. PATENT DOCUMENTS

X5,994	I1	*	5/1830	Aiken	15/206
D266,035	S	*	9/1982	Thompson	D4/128
4,776,456	A	*	10/1988	Lewis	206/15.3
5,259,406	A	*	11/1993	Hofmann	134/50

FOREIGN PATENT DOCUMENTS

DE 19651371 * 6/1998

* cited by examiner

Primary Examiner—Alan P. Douglas

Assistant Examiner—Lavone Tabor

(74) *Attorney, Agent, or Firm*—Stuart M. Goldstein

(57) **CLAIM**

The ornamental design for a brush with handle, as shown and described.

DESCRIPTION

FIG. 1 is an elevation view of the brush with handle.

FIG. 2 is an elevation view of the brush with handle, rotated 180° from the view of FIG. 1.

FIG. 3 is an elevation view of the brush with handle, rotated 90° from the view of FIG. 2.

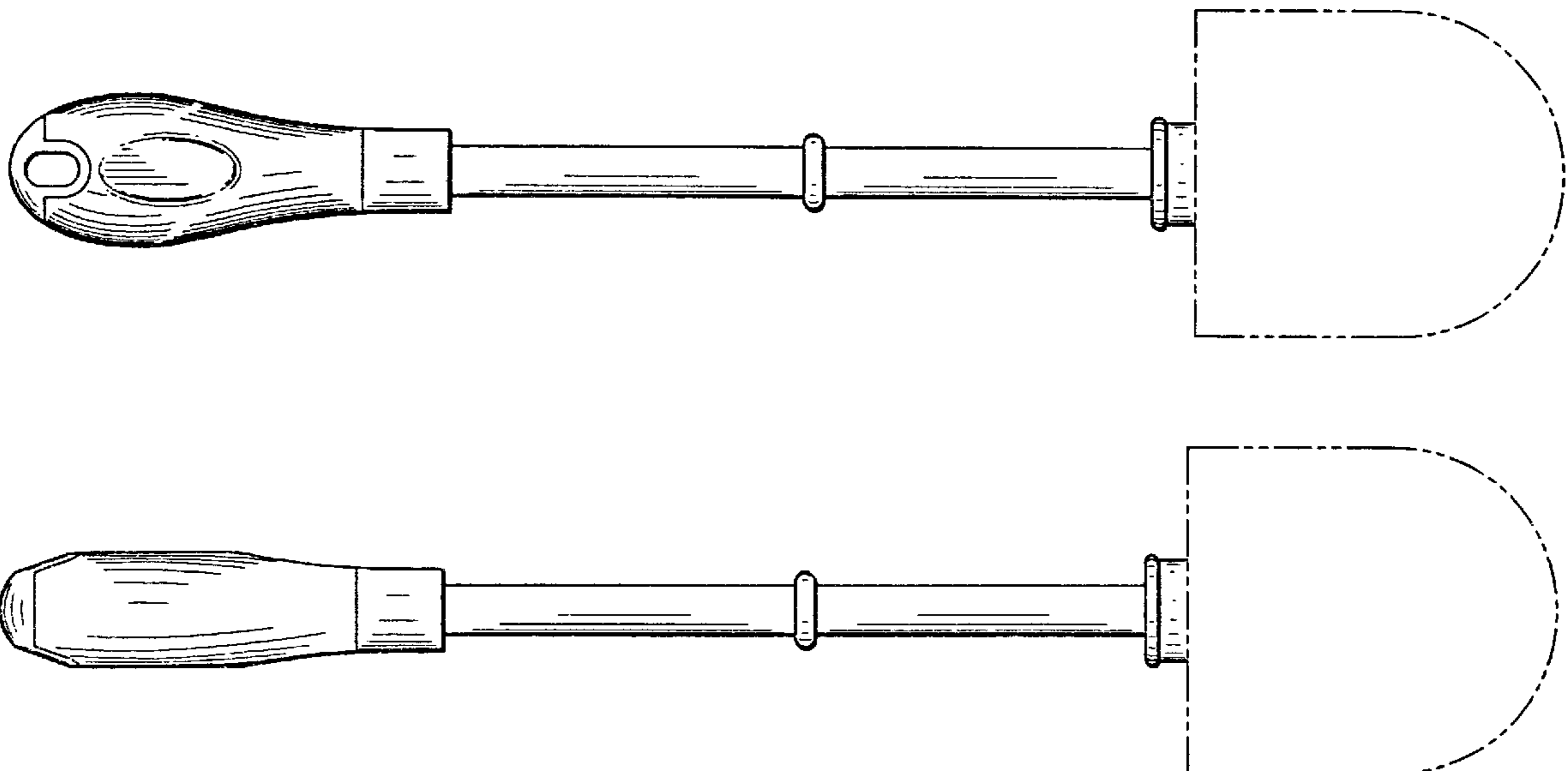
FIG. 4 is an elevation view of the brush with handle rotated 180° from the view of FIG. 3.

FIG. 5 is an end view of the brush with handle; and,

FIG. 6 is a view of the other end of the brush with handle.

The broken line outline representing bristles, is for illustrative purposes only and forms no part of the claimed design.

1 Claim, 2 Drawing Sheets



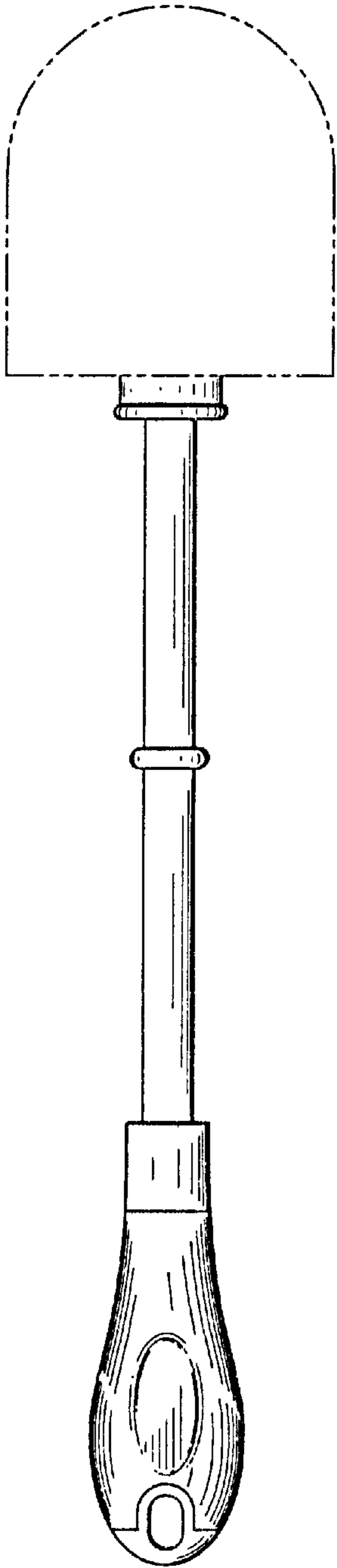


FIG. 1

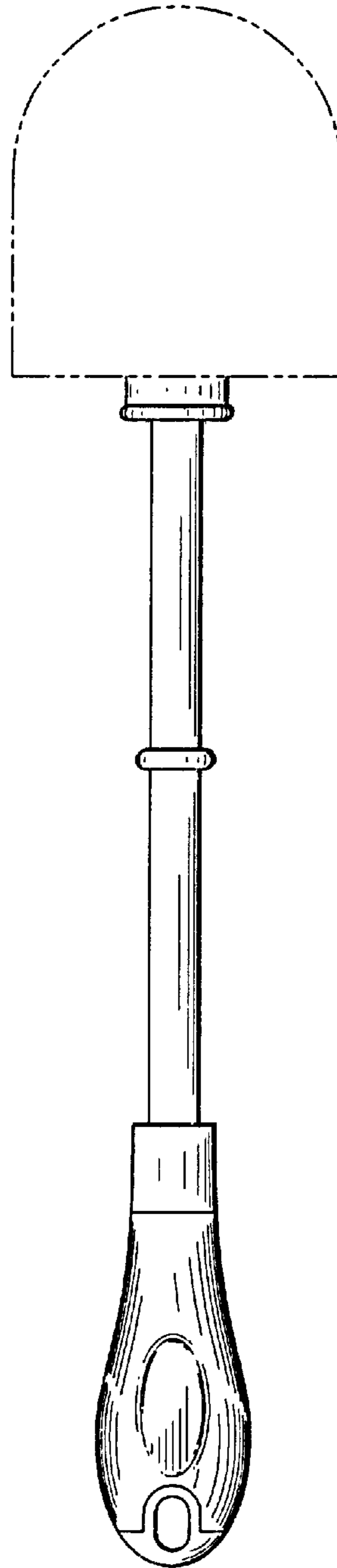


FIG. 2

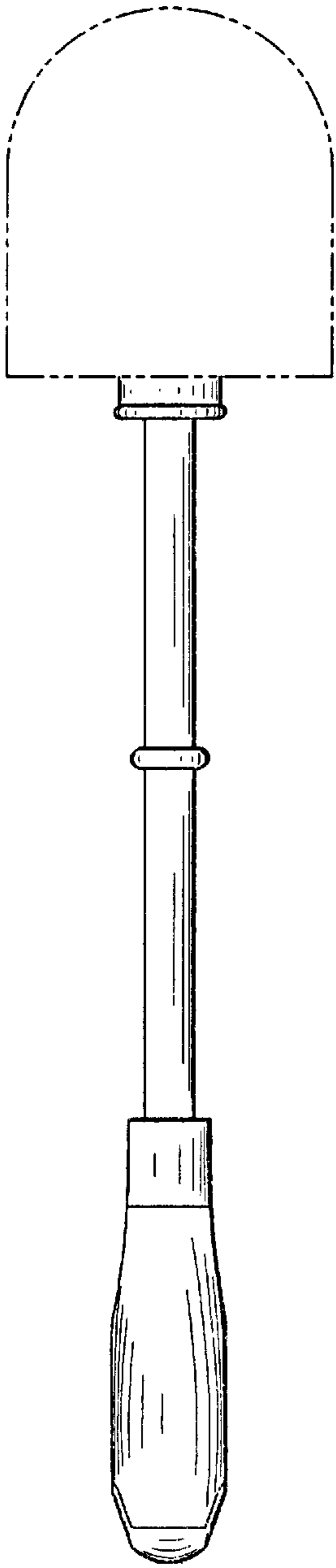


FIG. 3

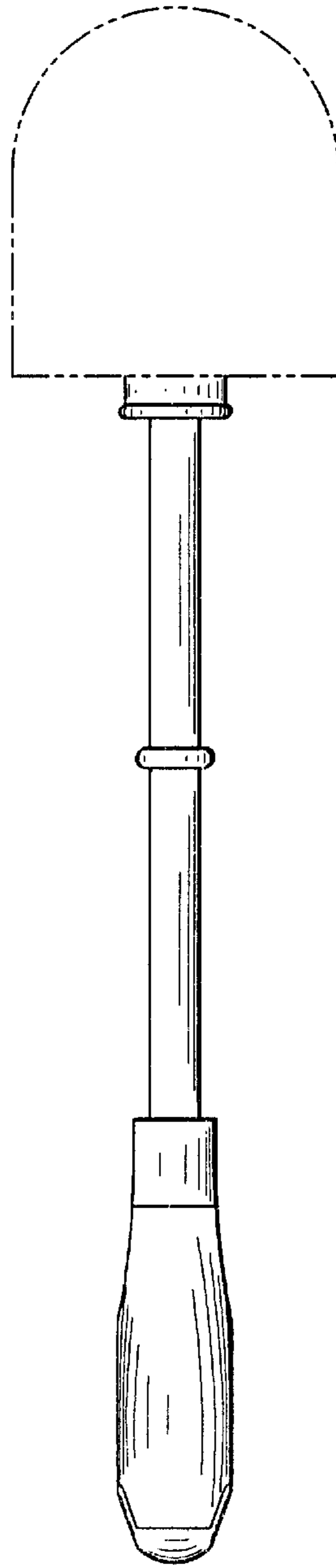


FIG. 4

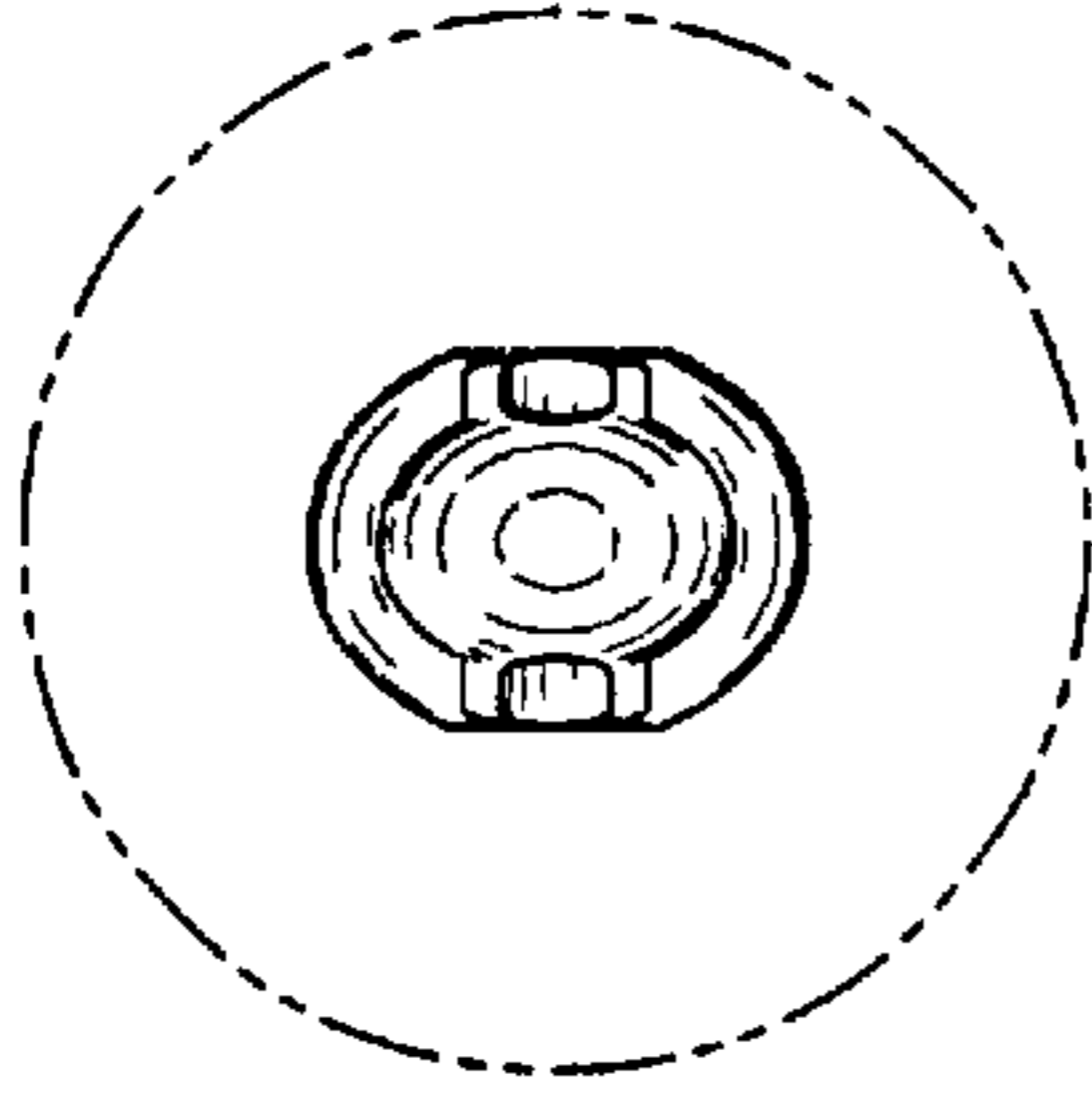


FIG. 5

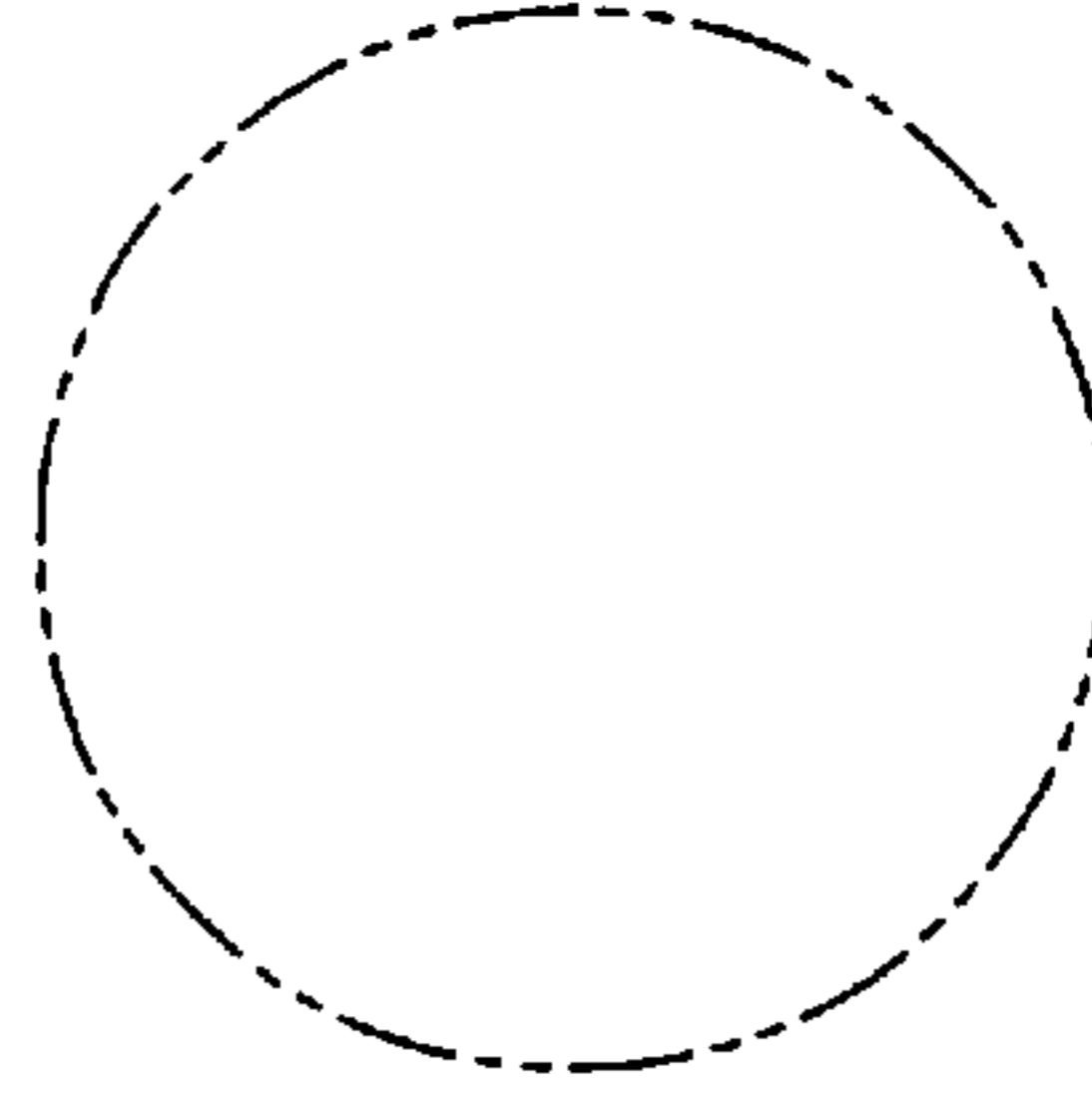


FIG. 6