



US00D452762B2

(12) **United States Design Patent**
Lee

(10) **Patent No.:** **US D452,762 S**

(45) **Date of Patent:** **** Jan. 8, 2002**

(54) **CASE FOR CD-ROM CARD**

(76) Inventor: **Won Rae Lee**, 643, Ilwon-dong,
Kangnam-ku, 135-230, Seoul (KR)

(**) Term: **14 Years**

(21) Appl. No.: **29/132,106**

(22) Filed: **Nov. 3, 2000**

(30) **Foreign Application Priority Data**

May 4, 2000 (KR) 00-11638

(51) **LOC (7) Cl.** **06-04**

(52) **U.S. Cl.** **D2/632; D6/407; D6/634**

(58) **Field of Search** D3/201; D6/407,
D6/408, 626-635; D14/475, 478, 479, 496;
206/232, 307.1, 308.1, 308.3, 309, 311,
312, 313, 387.13, 396, 397, 398, 408, 459.1;
369/37, 75.2, 291; 379/355

(56) **References Cited**

U.S. PATENT DOCUMENTS

D187,720	S	*	4/1960	Ketcham	D6/632
4,903,829	A	*	2/1990	Clemens	206/308.1
5,299,186	A	*	3/1994	Tsurushima	206/308.1
D347,320	S	*	5/1994	Corday	D6/634
5,377,825	A	*	1/1995	Sykes et al.	206/310
5,477,960	A	*	12/1995	Chen	206/308.1
5,593,030	A	*	1/1997	Tell	206/308.1
5,634,559	A	*	6/1997	Foos et al.	206/518
5,713,463	A	*	2/1998	Lakoski et al.	206/308.1
5,819,926	A	*	10/1998	O'Brien et al.	206/308.1
6,016,909	A	*	1/2000	Chang	206/310
6,021,894	A	*	2/2000	Lakoski e al.	206/308.1
D431,955	S	*	10/2000	Peterson et al.	D6/632
D433,265	S	*	11/2000	Khatemi	D6/634
D435,752	S	*	1/2001	Myszka et al.	D6/632
6,170,658	B1	*	1/2001	Dering	206/308.1
D438,418	S	*	3/2001	Myszka et al.	D6/634
6,216,862	B1	*	4/2001	Chang	206/308.1

6,227,362	B1	*	5/2001	Cheung	206/308.1
6,227,363	B1	*	5/2001	Lu	206/308.1
6,237,763	B1	*	5/2001	Lau	206/308.1
D443,169	S	*	6/2001	Sankey et al.	D6/632

* cited by examiner

Primary Examiner—Celia Murphy

(74) *Attorney, Agent, or Firm*—Browdy and Neimark

(57) **CLAIM**

The ornamental design for a case for CD-ROM card, as shown and described.

DESCRIPTION

FIG. 1 is a perspective view of a case for a CD-ROM card showing my new design;
 FIG. 2 is a front elevational view thereof;
 FIG. 3 is a rear elevational view thereof;
 FIG. 4 is a top plan view thereof;
 FIG. 5 is a bottom plan view thereof;
 FIG. 6 is a left side elevational view thereof;
 FIG. 7 is a right side elevational view thereof;
 FIG. 8 is a perspective view thereof shown in an open position;
 FIG. 9 is a front elevational view of FIG. 8;
 FIG. 10 is a rear elevational view of FIG. 8;
 FIG. 11 is a top plan view of FIG. 8;
 FIG. 12 is a bottom plan view of FIG. 8;
 FIG. 13 is a left side elevational view of FIG. 8;
 FIG. 14 is a right side elevational view of FIG. 8;
 FIG. 15 is a cross-sectional view taken on line 15—15 of FIG. 4;
 FIG. 16 is a cross-sectional view taken on line 16—16 of FIG. 4; and,
 FIG. 17 is a perspective view shown partially open; the broken lines showing the CD-ROM card are included to illustrate how the case is used, and form no part of the claimed design.

1 Claim, 11 Drawing Sheets

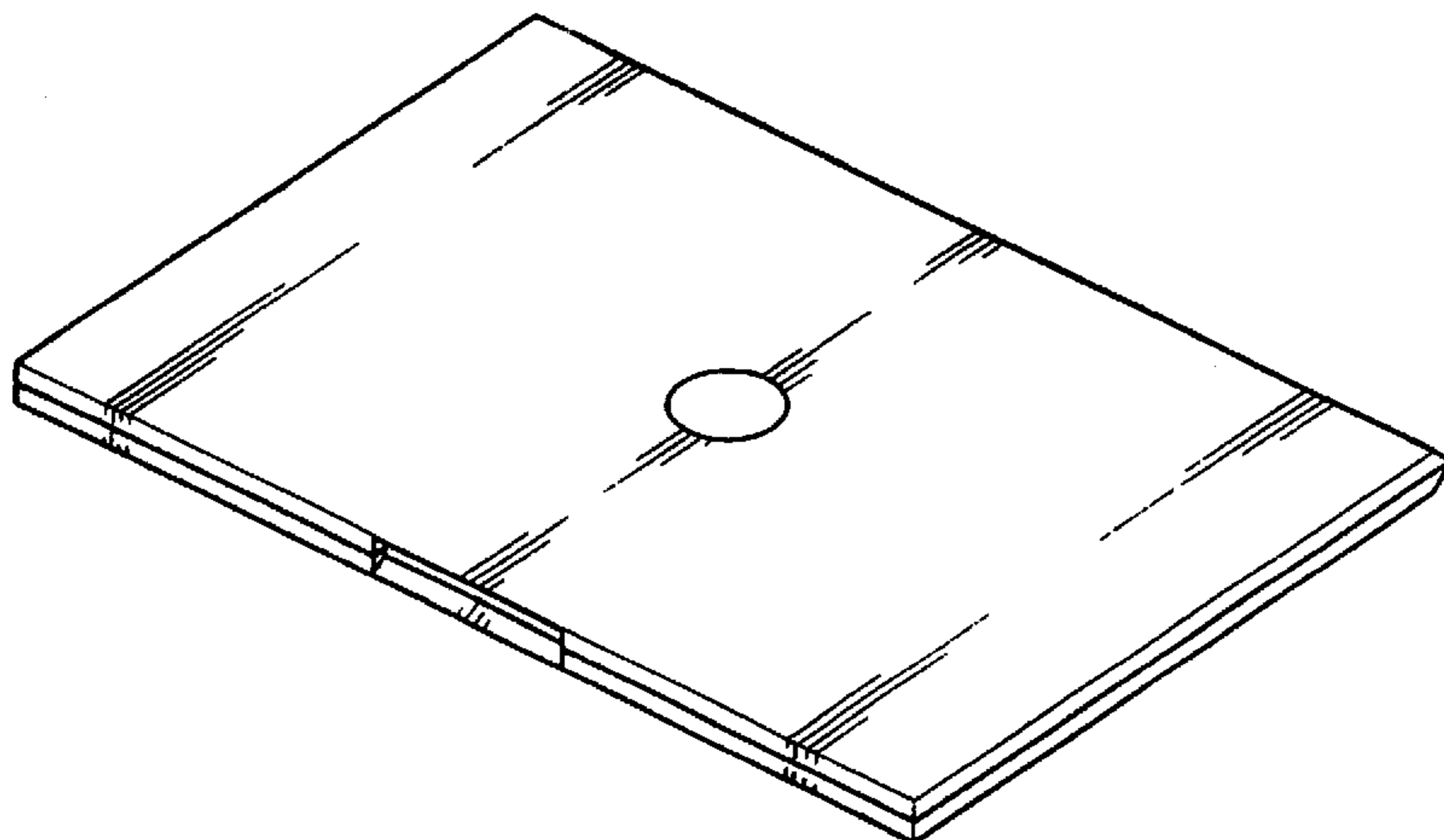


Fig. 1

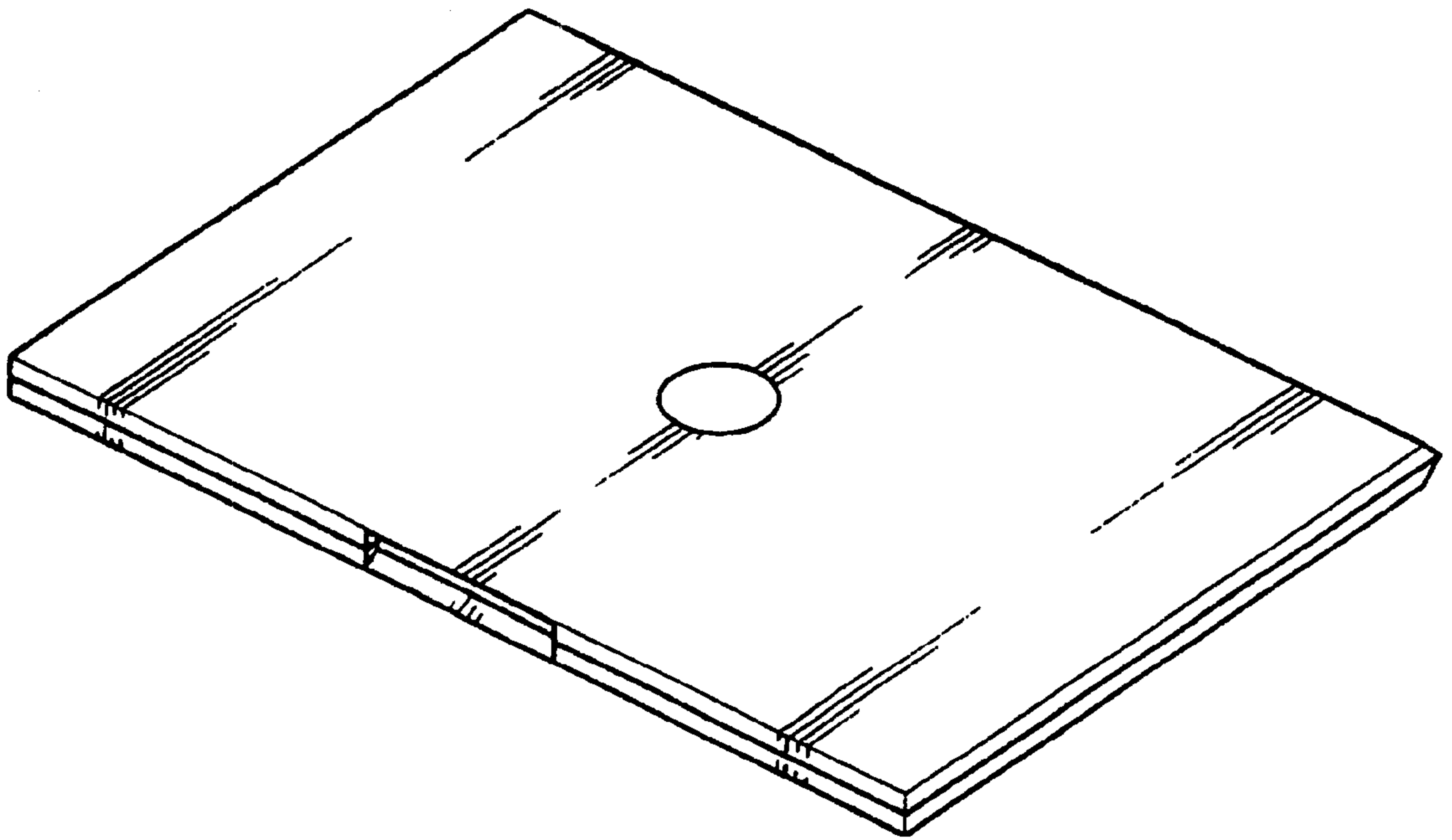


Fig. 2



Fig. 3



Fig. 4

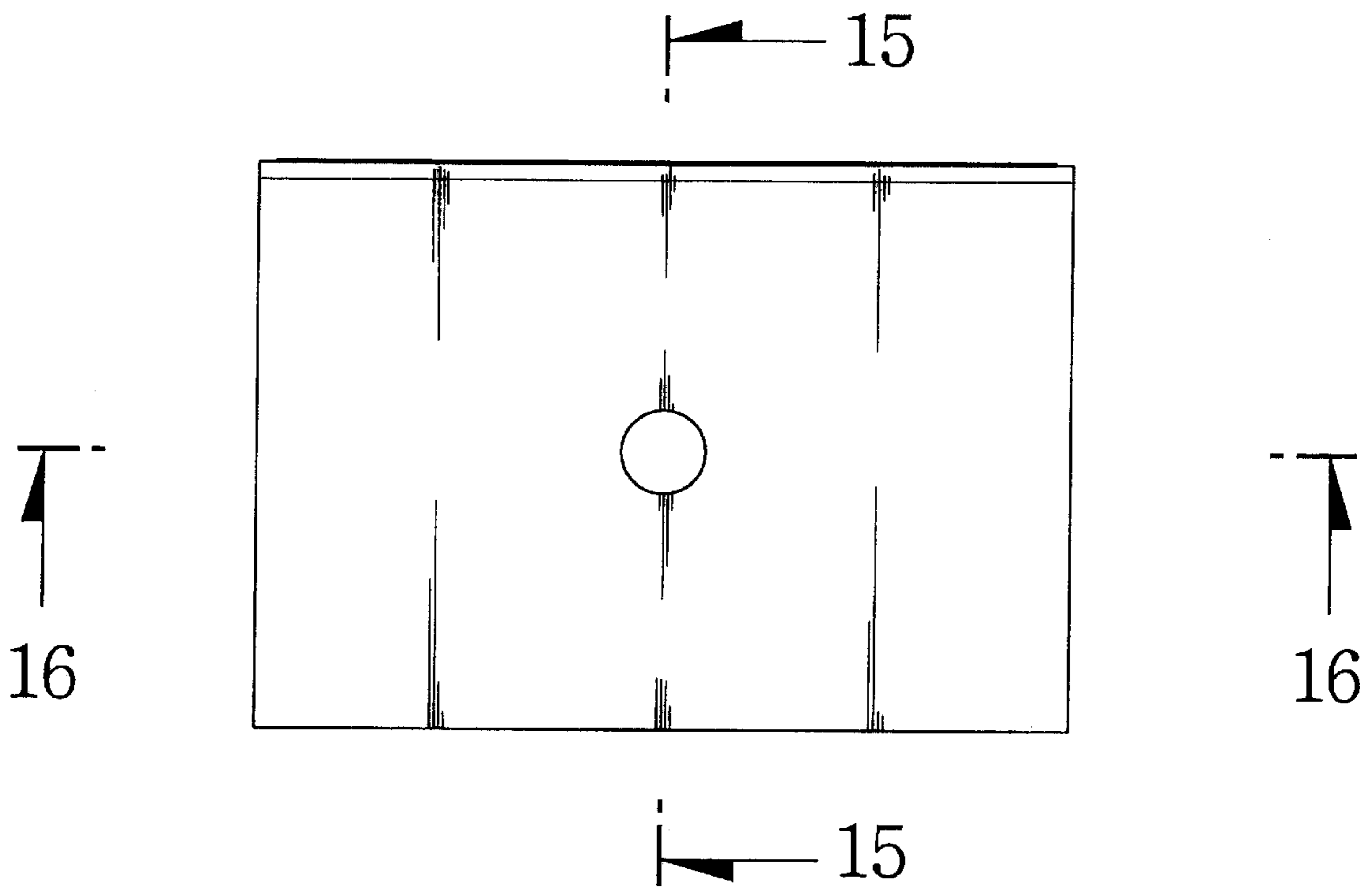


Fig. 5

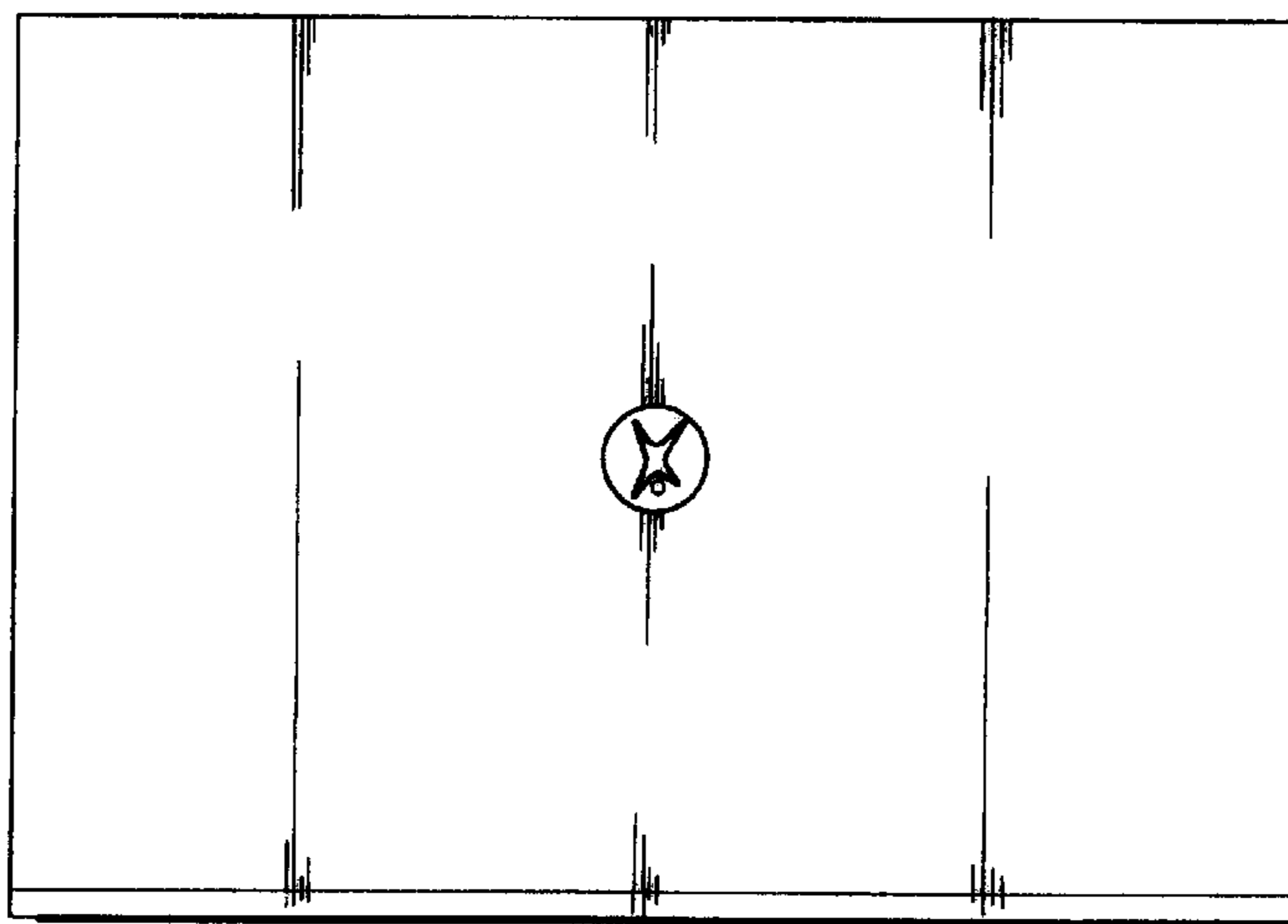


Fig. 6

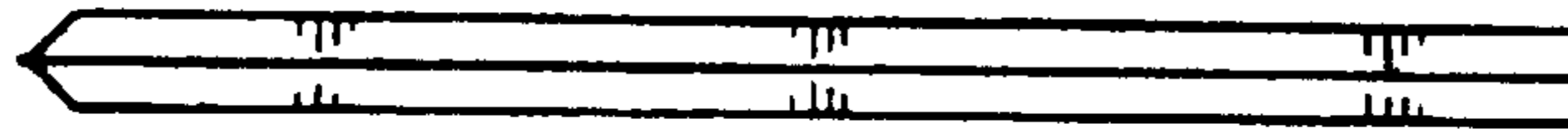


Fig. 7



Fig. 8

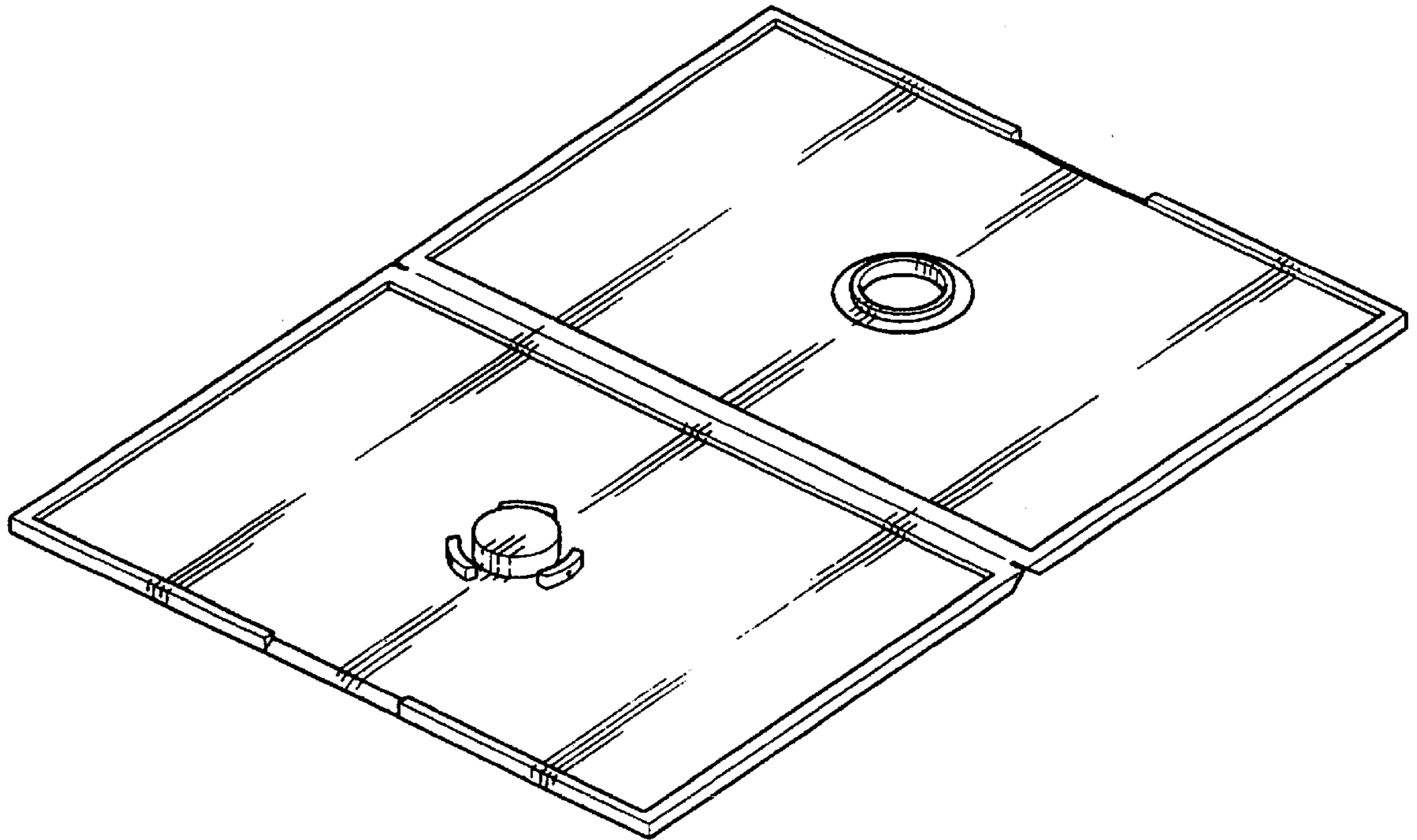


Fig. 9



Fig. 10



Fig. 11

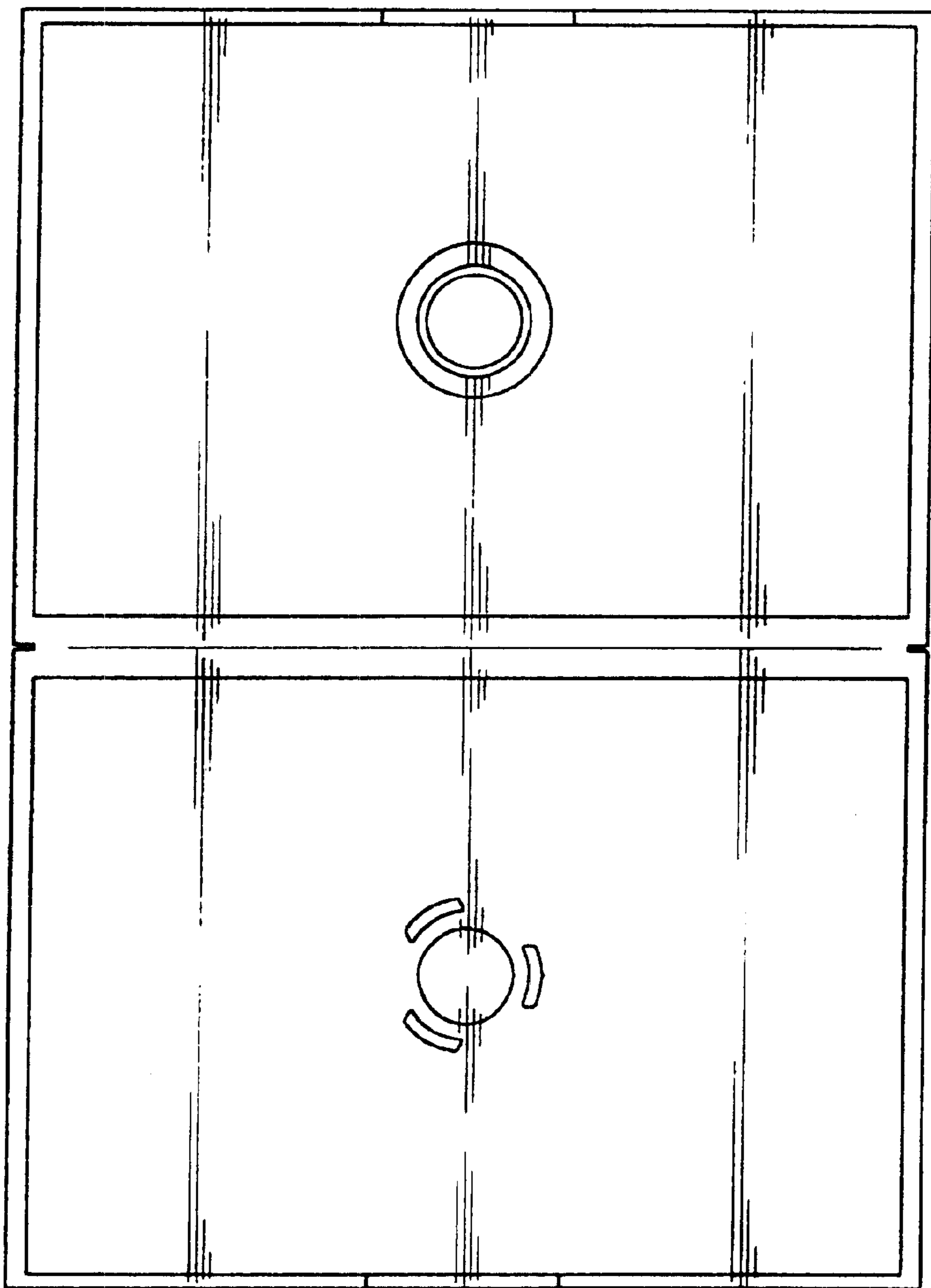


Fig. 12

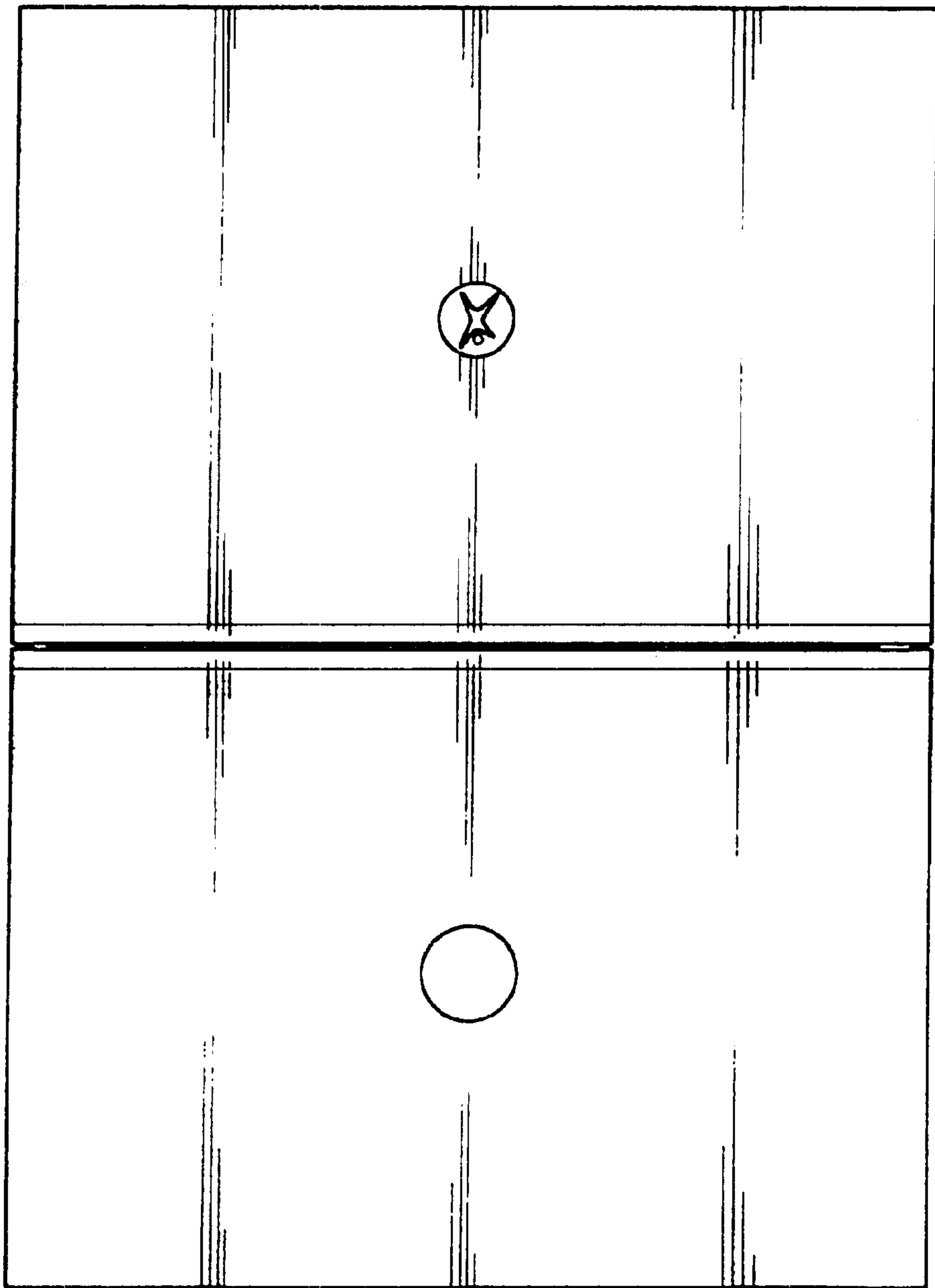


Fig. 13



Fig. 14



Fig. 15



Fig. 16



Fig. 17

