



US00D452760B1

(12) **United States Design Patent**
Skalka

(10) **Patent No.: US D452,760 S**

(45) **Date of Patent: ** Jan. 1, 2002**

(54) **TRASH CAN RECEPTACLE**

(75) Inventor: **Gerald P. Skalka**, Potomac, MD (US)

(73) Assignee: **Victor Stanley, Inc.**, Dunkirk, MD (US)

(**) Term: **14 Years**

(21) Appl. No.: **29/118,677**

(22) Filed: **Feb. 11, 2000**

Related U.S. Application Data

(62) Division of application No. 29/099,029, filed on Jan. 12, 1999, now Pat. No. Des. 441,932.

(51) **LOC (7) Cl.** **09-09**

(52) **U.S. Cl.** **D34/1; D34/6; D34/7**

(58) **Field of Search** **D34/1, 5, 6, 7, D34/8, 10, 11; 220/908, 909, 910, 911**

(56) **References Cited**

U.S. PATENT DOCUMENTS

711,410 A 10/1902 Means
1,080,470 A 12/1913 Nutter et al.

(List continued on next page.)

FOREIGN PATENT DOCUMENTS

DE 25 00 381 7/1975

OTHER PUBLICATIONS

Victor Stanley, Inc. Products, Ironsites™ Series: S-42, Lid Options, www.victorstanley.com/html/prod/ironsites-s42.html (Jun. 28, 2000).

Primary Examiner—Cynthia E. Ramirez

(74) *Attorney, Agent, or Firm*—Jacobson Holman, PLLC

(57) **CLAIM**

An ornamental design for a trash can receptacle, as shown and described.

DESCRIPTION

FIG. 1 is a perspective view of a trash can receptacle showing a first embodiment of my new design, shown with the door in an open position.

FIG. 2 is a perspective view of the trash can receptacle of FIG. 1, shown with the door in a closed position.

FIG. 3 is a left side elevational view of the trash can receptacle of FIG. 1, shown with the door in a closed position, the right side elevational view being a mirror image thereof.

FIG. 4 is a front elevational view of the trash can receptacle of FIG. 1, shown with the door in a closed position.

FIG. 5 is a rear elevational view of the trash can receptacle of FIG. 1, shown with the door in a closed position.

FIG. 6 is a top plan view of the trash can receptacle of FIG. 1, shown with the door in a closed position.

FIG. 7 is a bottom plan view of the trash can receptacle of FIG. 1, shown with the door in a closed position.

FIG. 8 is a perspective view of a trash can receptacle showing a second embodiment of my new design, shown with the door in an open position.

FIG. 9 is a perspective view of the trash can receptacle of FIG. 8, shown with the door in a closed position.

FIG. 10 is a left side elevational view of the trash can receptacle of FIG. 8, shown with the door in a closed position, the right side elevational view being a mirror image thereof.

FIG. 11 is a front elevational view of the trash can receptacle of FIG. 8, shown with the door in a closed position.

FIG. 12 is a rear elevational view of the trash can receptacle of FIG. 8, shown with the door in a closed position.

FIG. 13 is a top plan view of the trash can receptacle of FIG. 8, shown with the door in a closed position.

FIG. 14 is a bottom plan view of the trash can receptacle of FIG. 8, shown with the door in a closed position.

FIG. 15 is a side elevational view of a trash can receptacle showing a third embodiment of my new design, shown with the door in a closed position, the third embodiment being identical to the first embodiment except for the width of the vertical bars, and the top and bottom views thereof being identical to the views of FIGS. 4 and 5.

FIG. 16 is a side elevational view of a trash can receptacle showing a fourth embodiment of my new design, shown with the door in a closed position, the fourth embodiment being identical to the second embodiment except for the width of the vertical bars, and the top and bottom views thereof being identical to the views of FIGS. 9 and 10.

FIG. 17 is a perspective view of a trash can receptacle showing a fifth embodiment of my new design, shown with the door in an open position.

FIG. 18 is a perspective view of the trash can receptacle of FIG. 17, shown with the door in a closed position.

FIG. 19 is a left side elevational view of the trash can receptacle of FIG. 17, shown with the door in a closed position, the right side elevational view being a mirror image thereof.

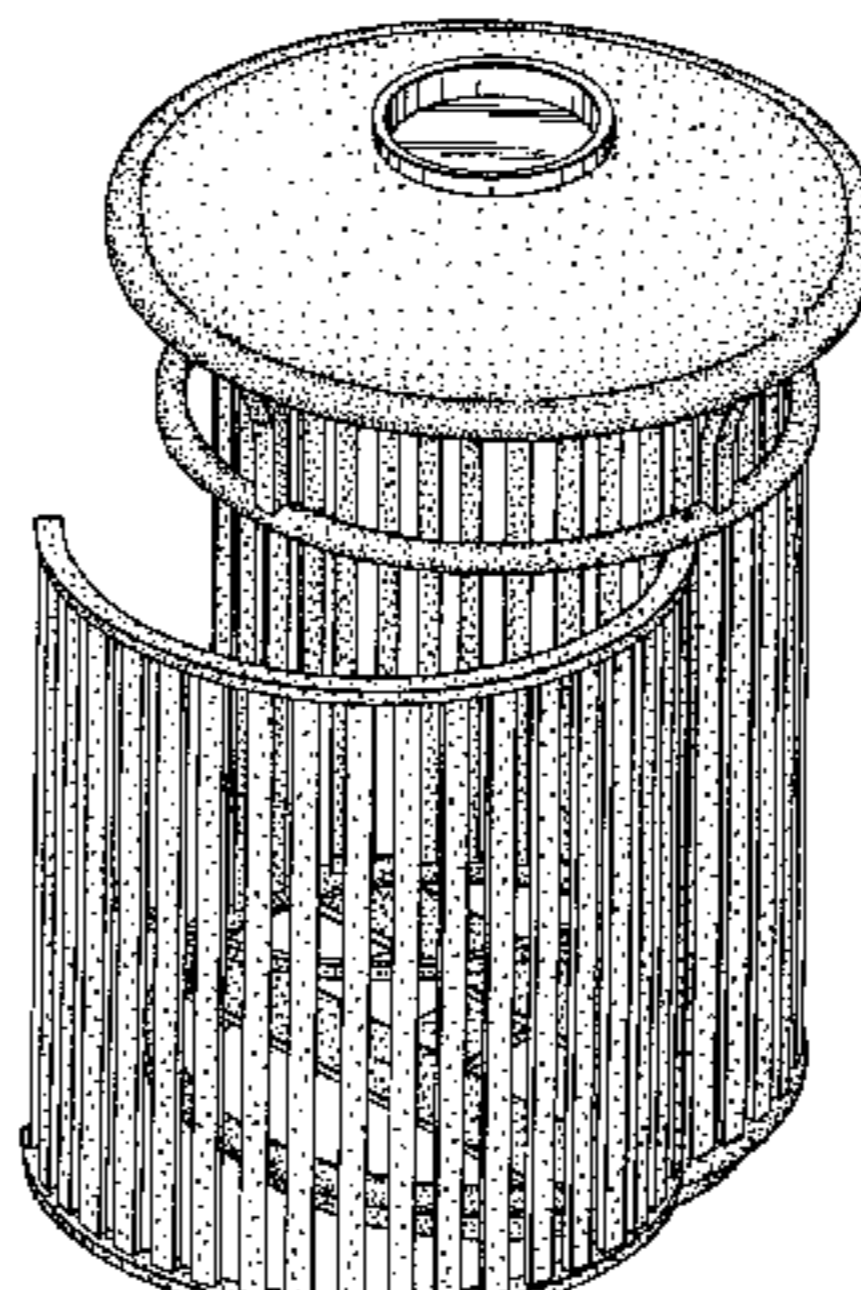
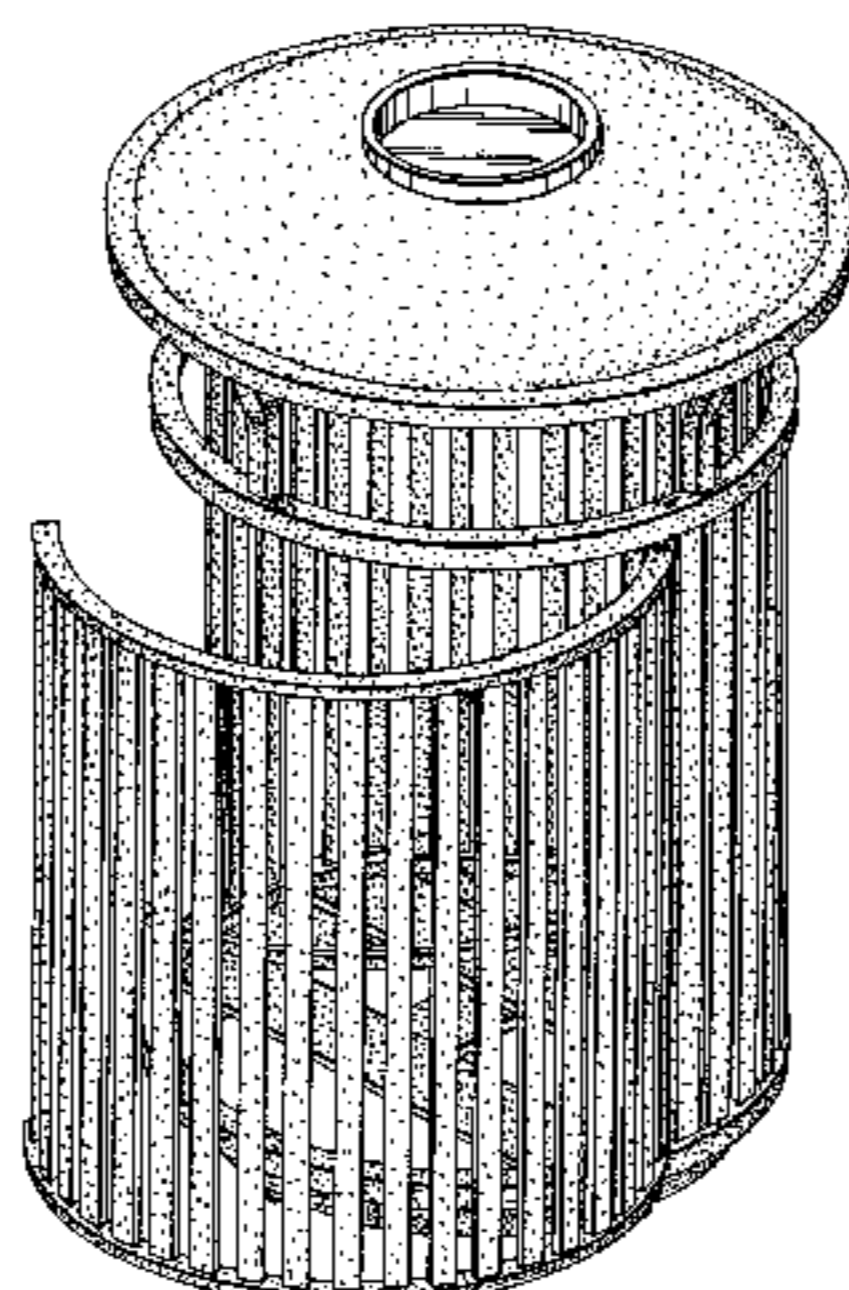
FIG. 20 is a front elevational view of the trash can receptacle of FIG. 17, shown with the door in a closed position.

FIG. 21 is a rear elevational view of the trash can receptacle of FIG. 17, shown with the door in a closed position.

FIG. 22 is a top plan view of the trash can receptacle of FIG. 17, shown with the door in a closed position; and,

FIG. 23 is a bottom plan view of the trash can receptacle of FIG. 17, shown with the door in a closed position.

1 Claim, 10 Drawing Sheets



US D452,760 S

Page 2

U.S. PATENT DOCUMENTS

D51,368 S 10/1917 Ellis
1,512,976 A 10/1924 Burkhardt
D195,906 S 8/1963 Hickerson

D216,372 S 12/1969 Lipko
D304,253 S 10/1989 Skalka
D304,632 S 11/1989 Skalka
D306,928 S 3/1990 Hanna
4,955,497 A 9/1990 Winden et al.

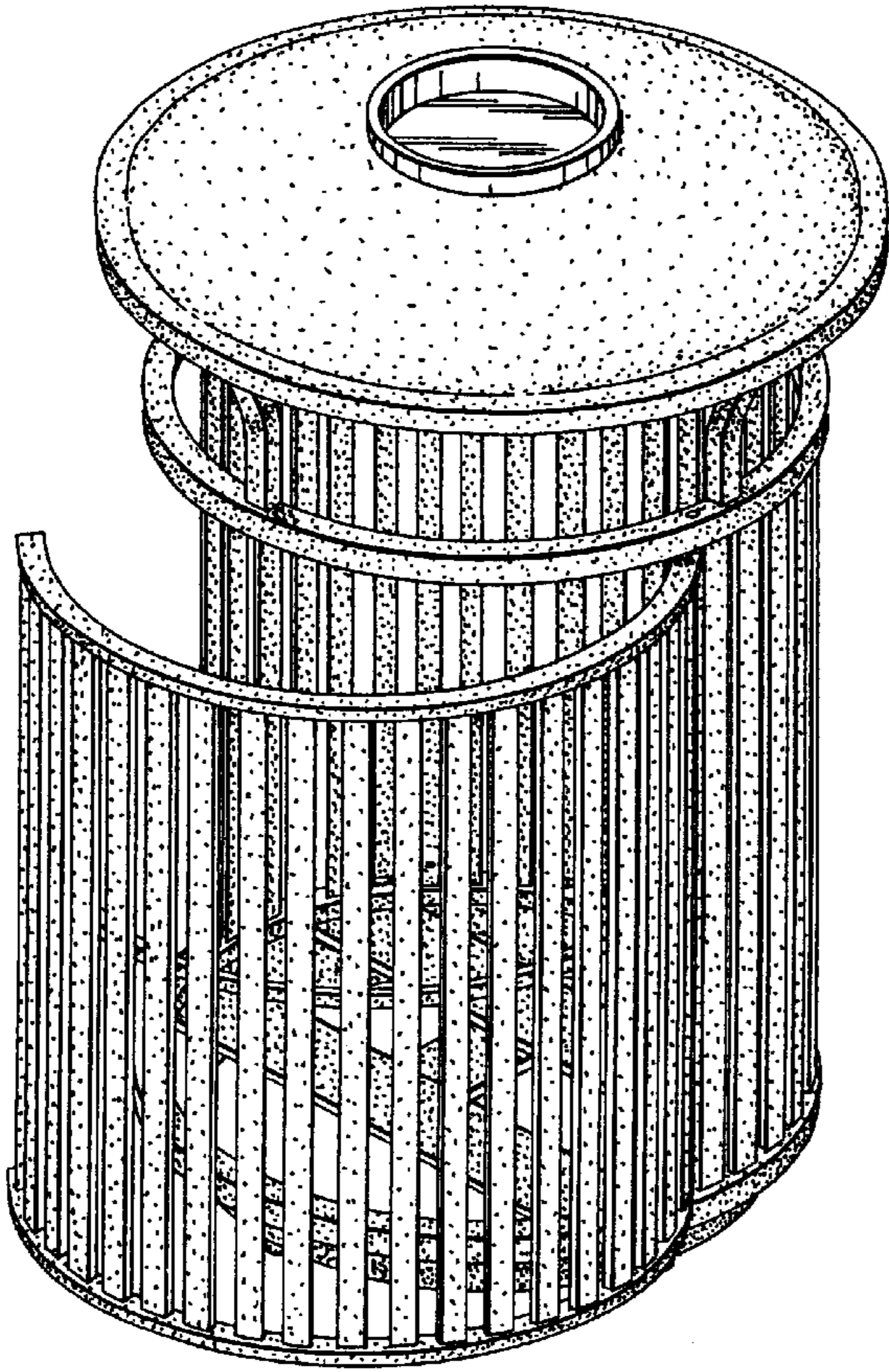


FIG. 1

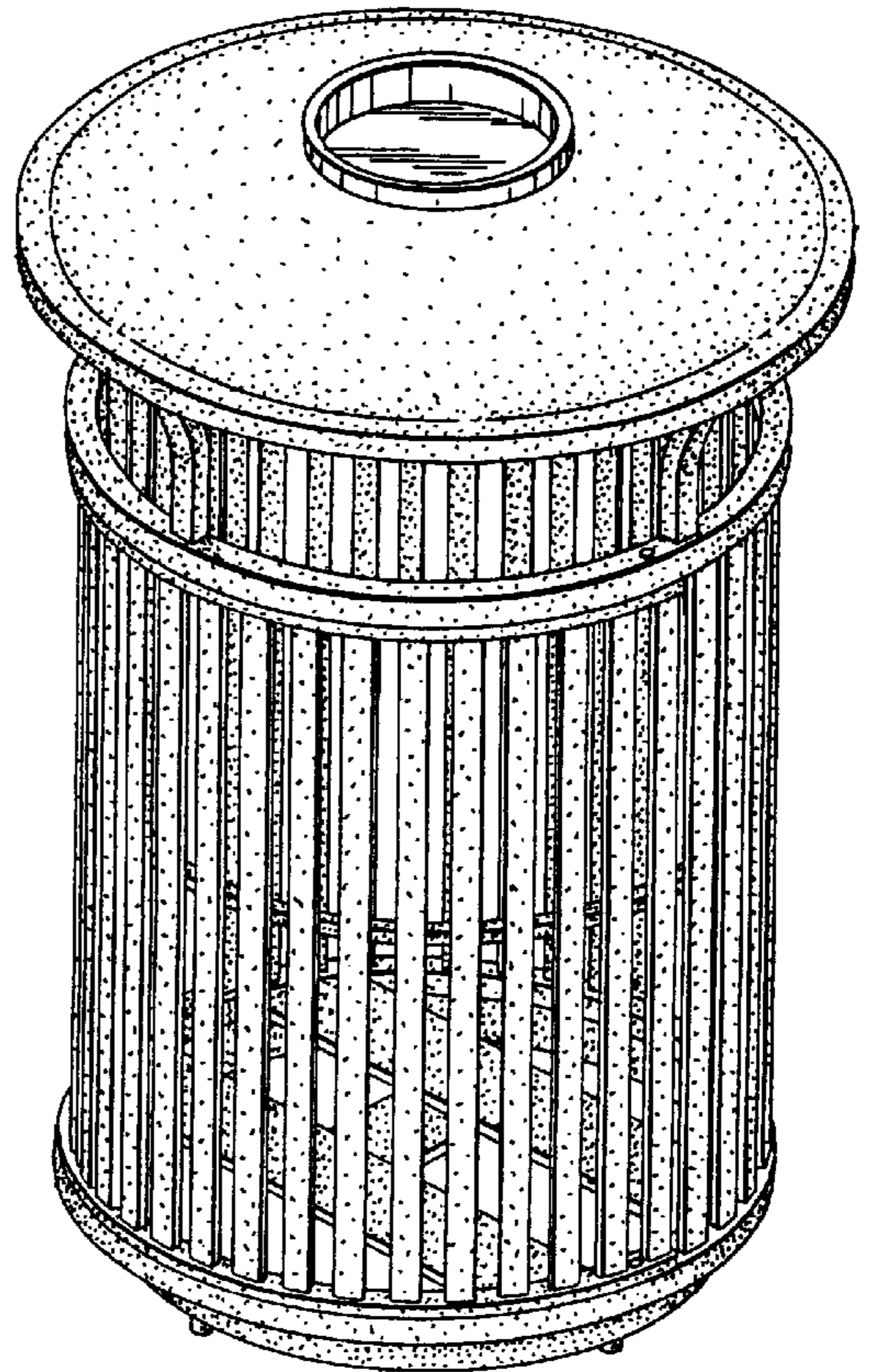


FIG. 2

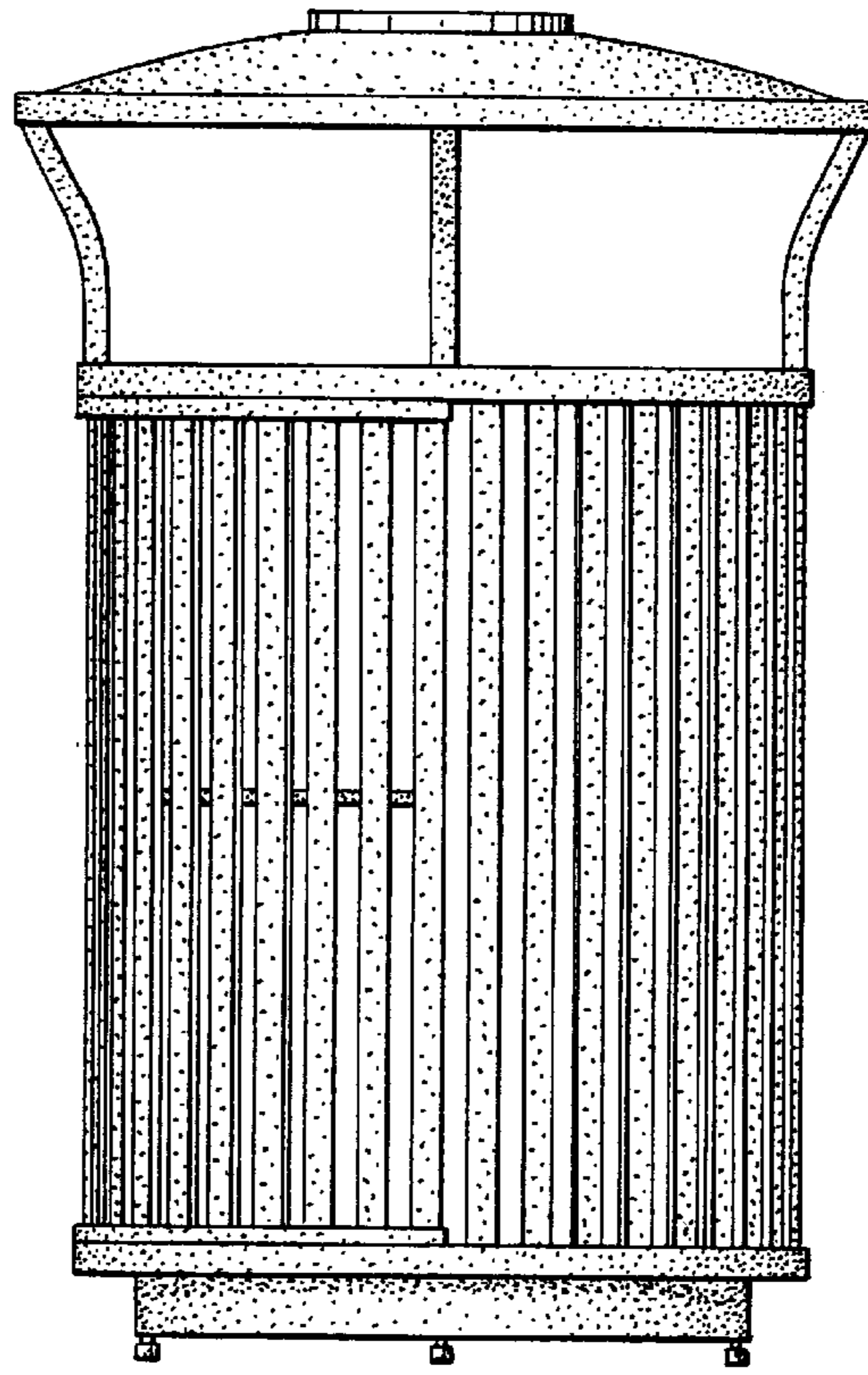


FIG. 3

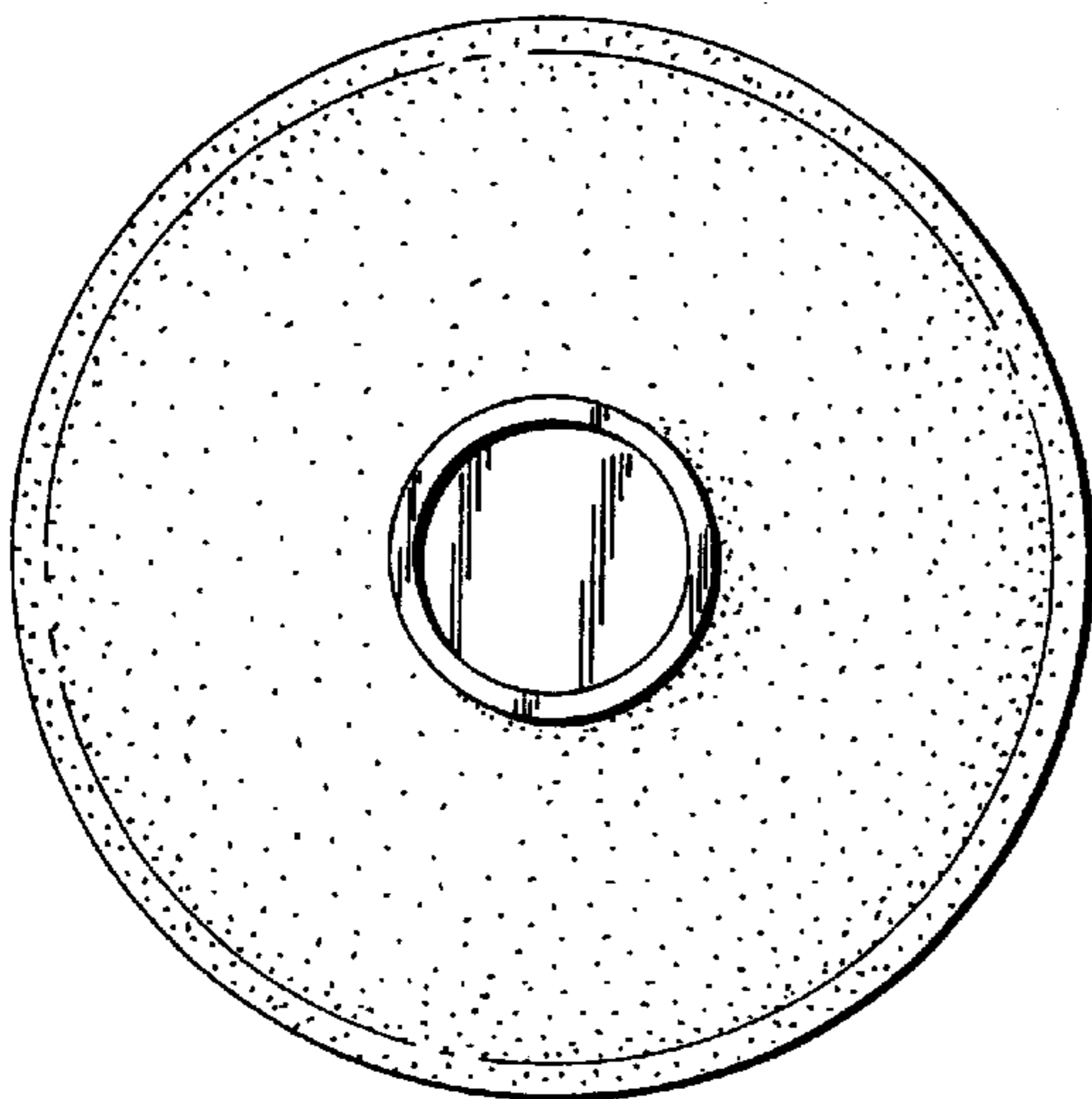


FIG. 6

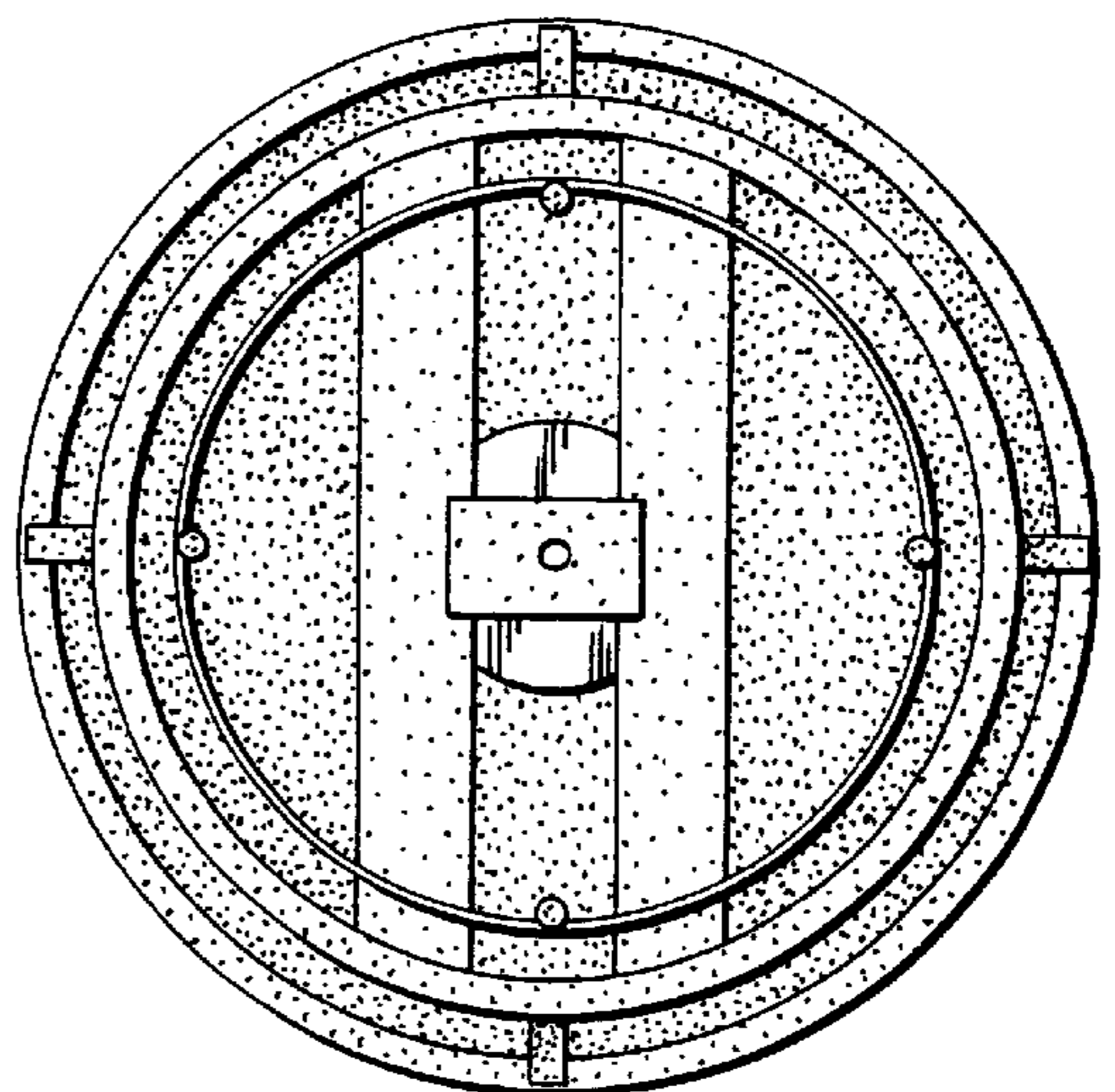


FIG. 7

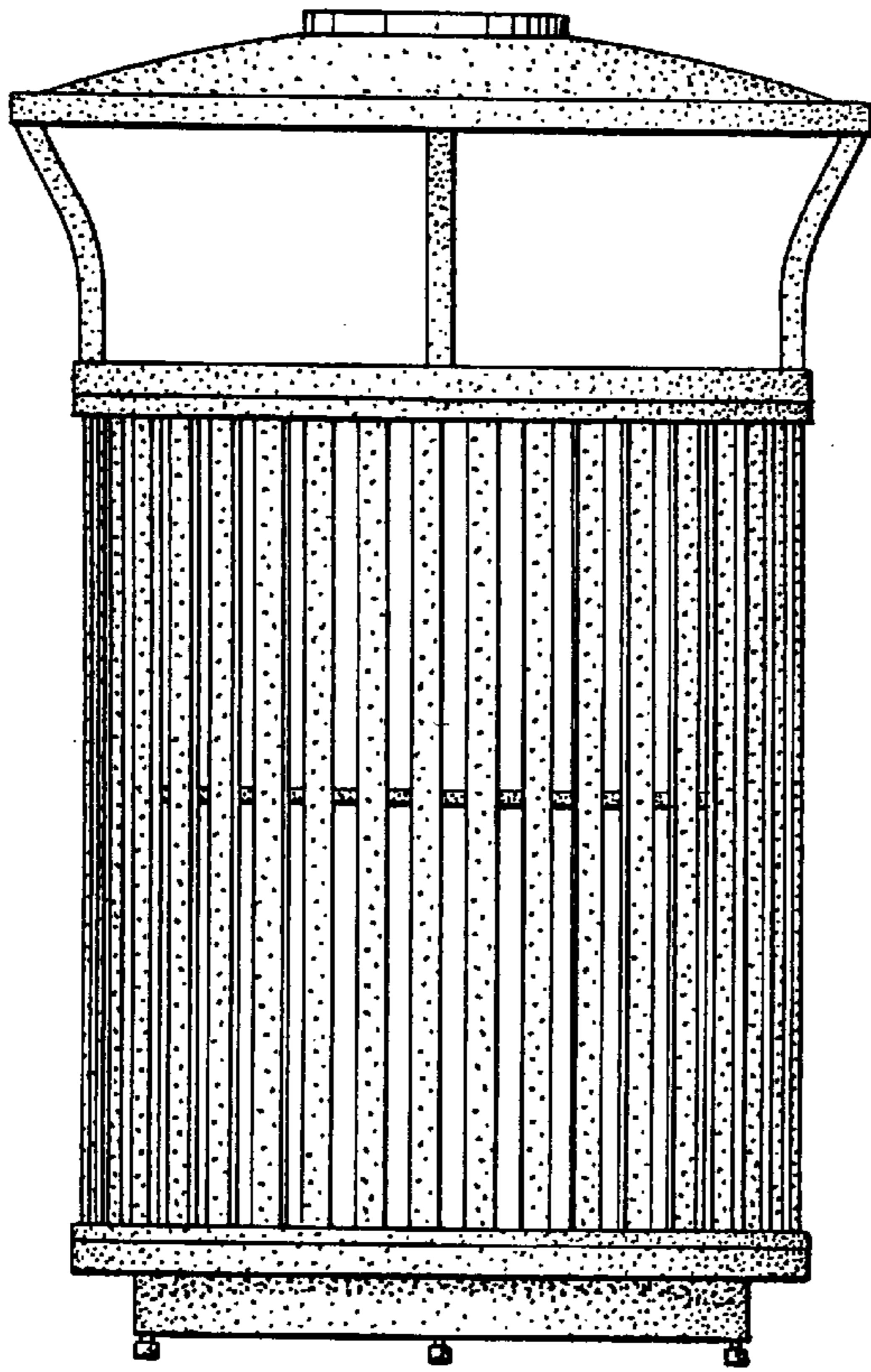


FIG. 4

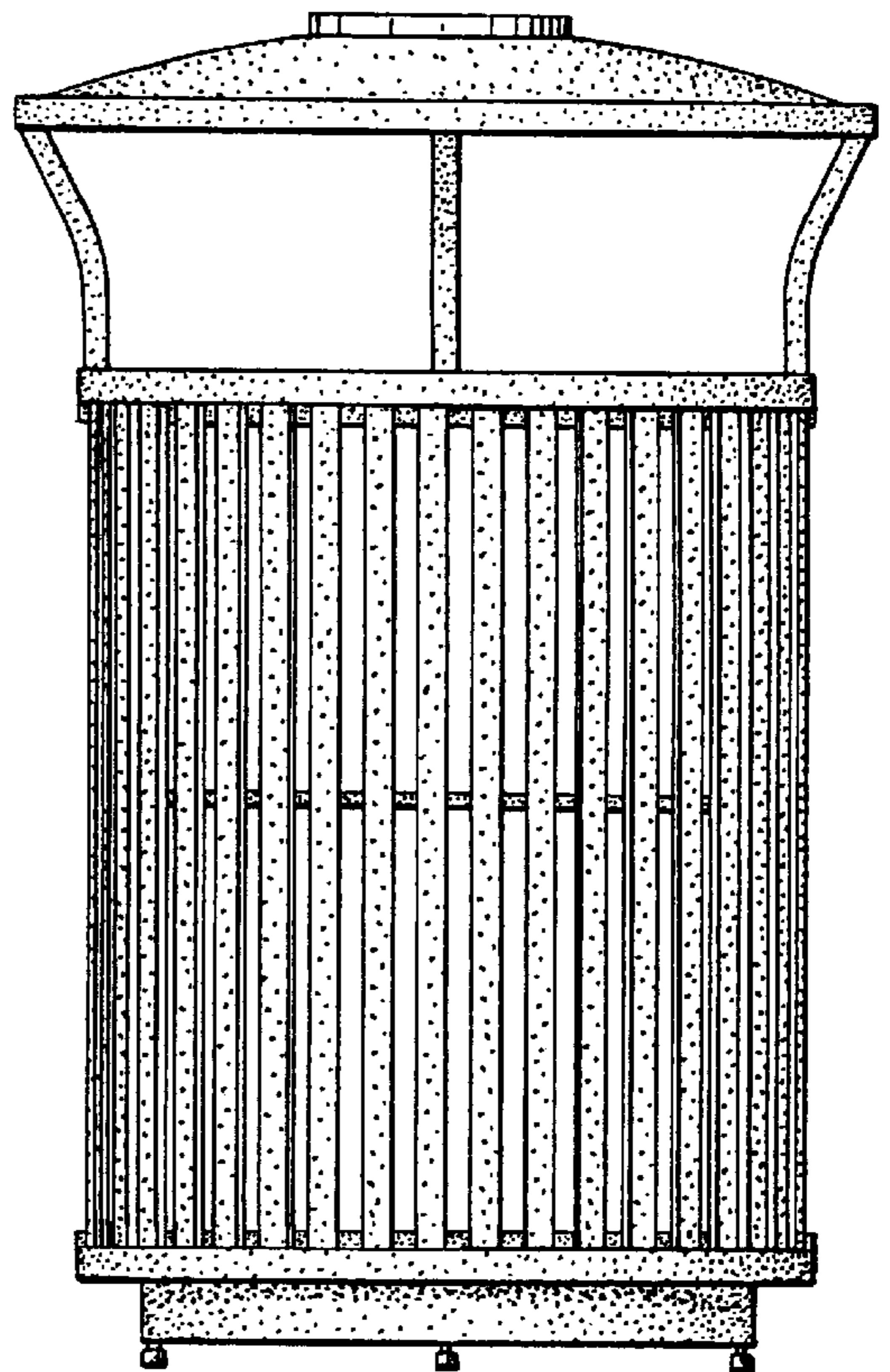


FIG. 5

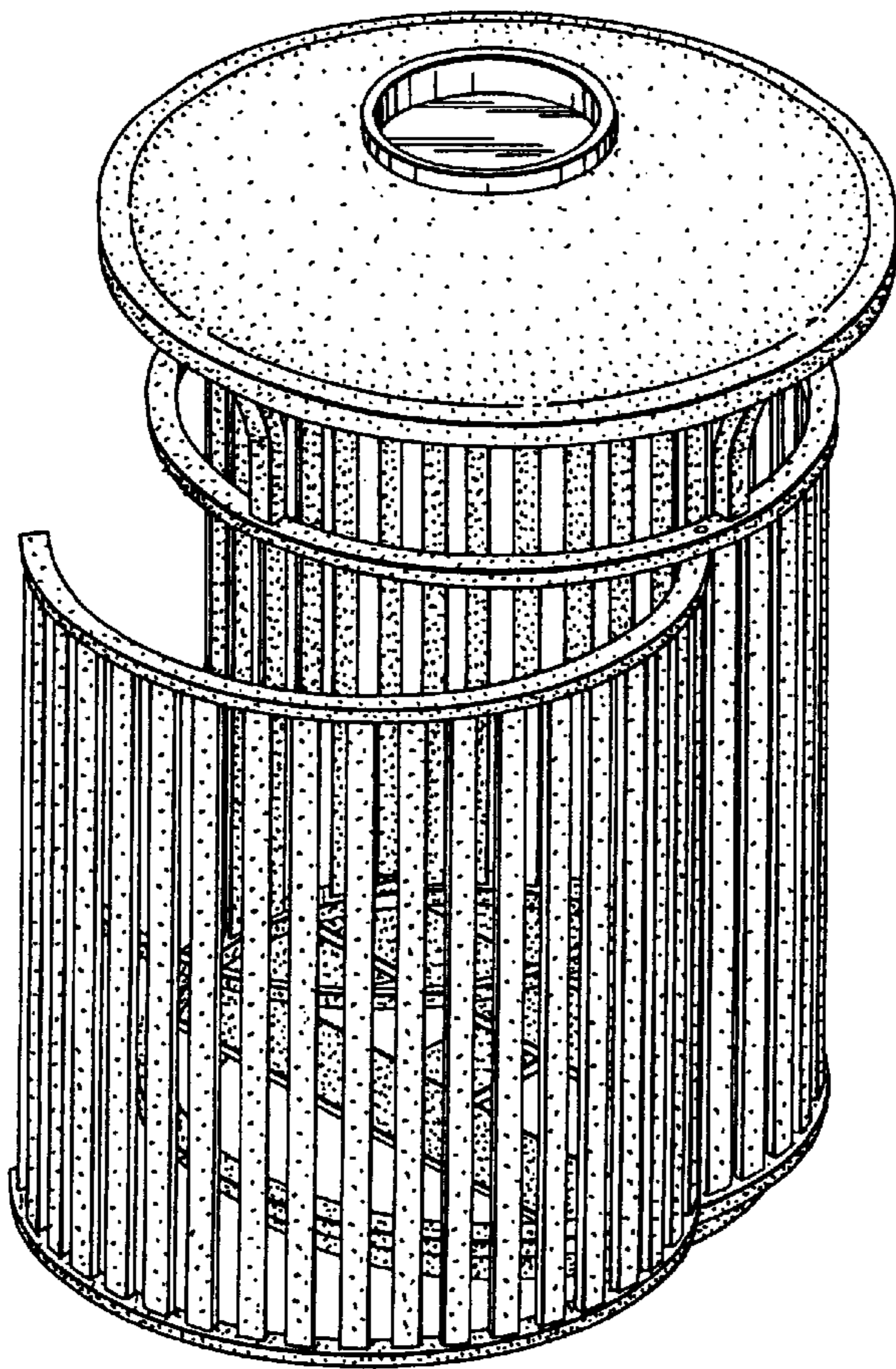


FIG. 8

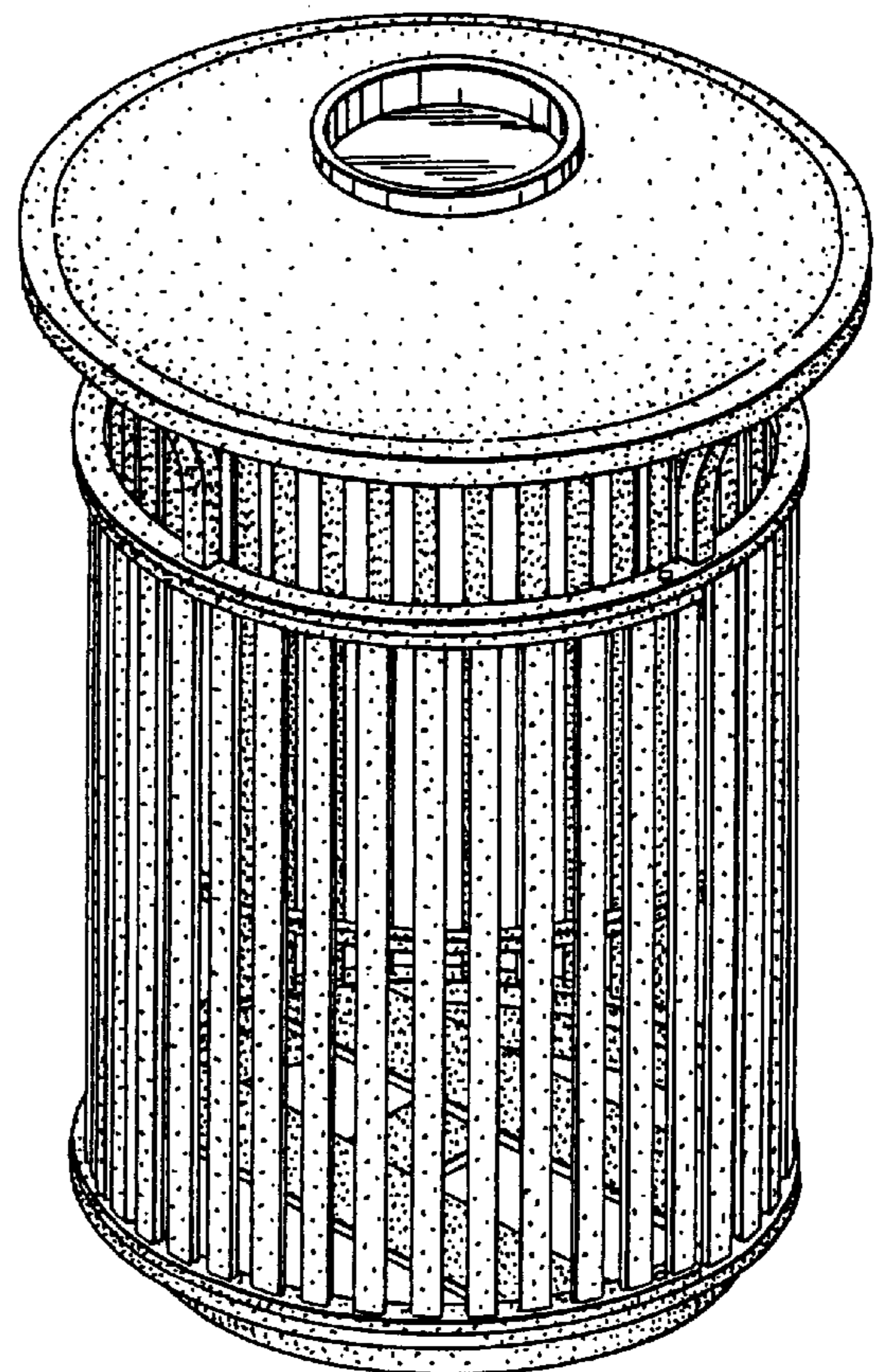


FIG. 9

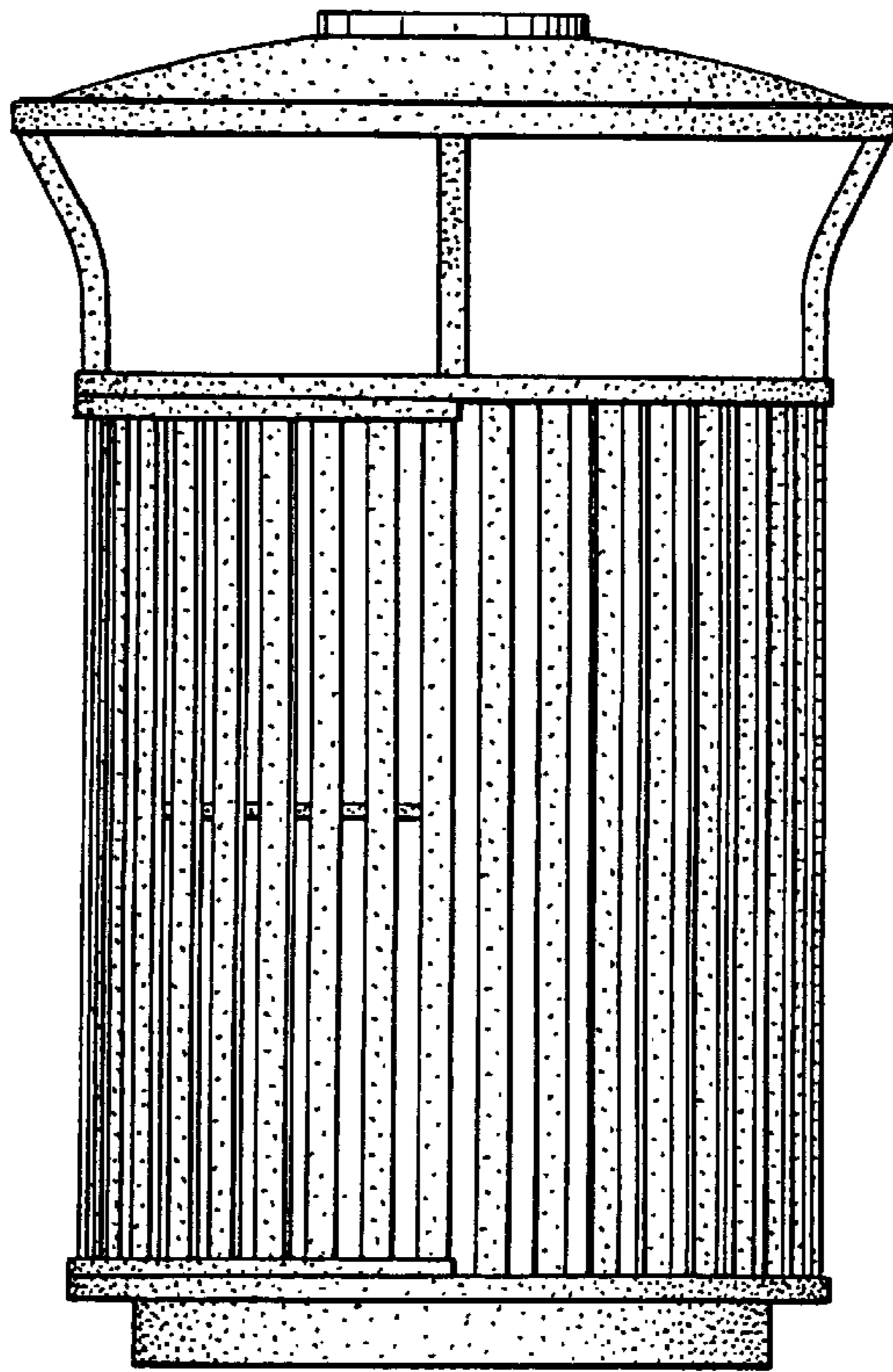


FIG. 10

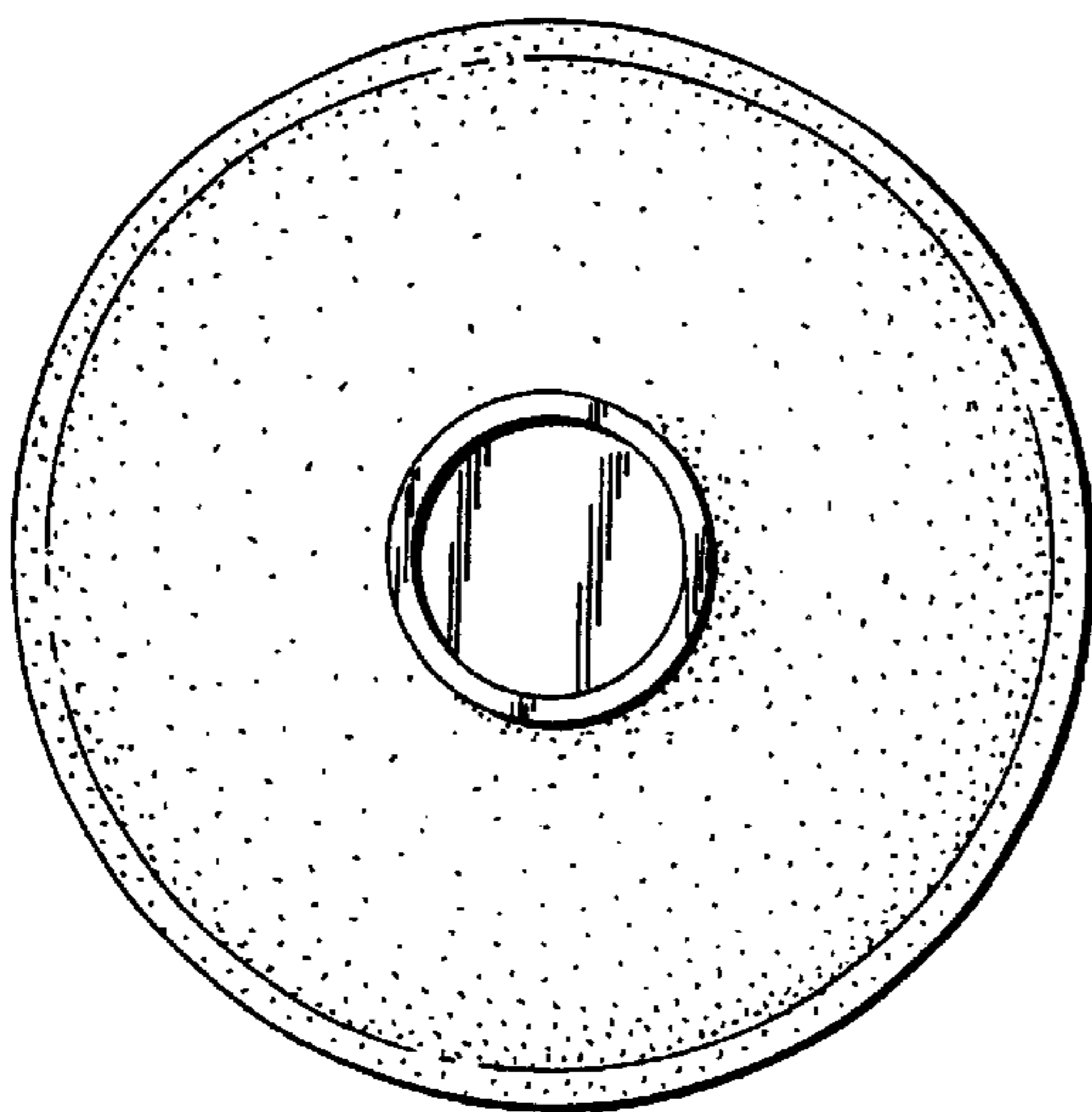


FIG. 13

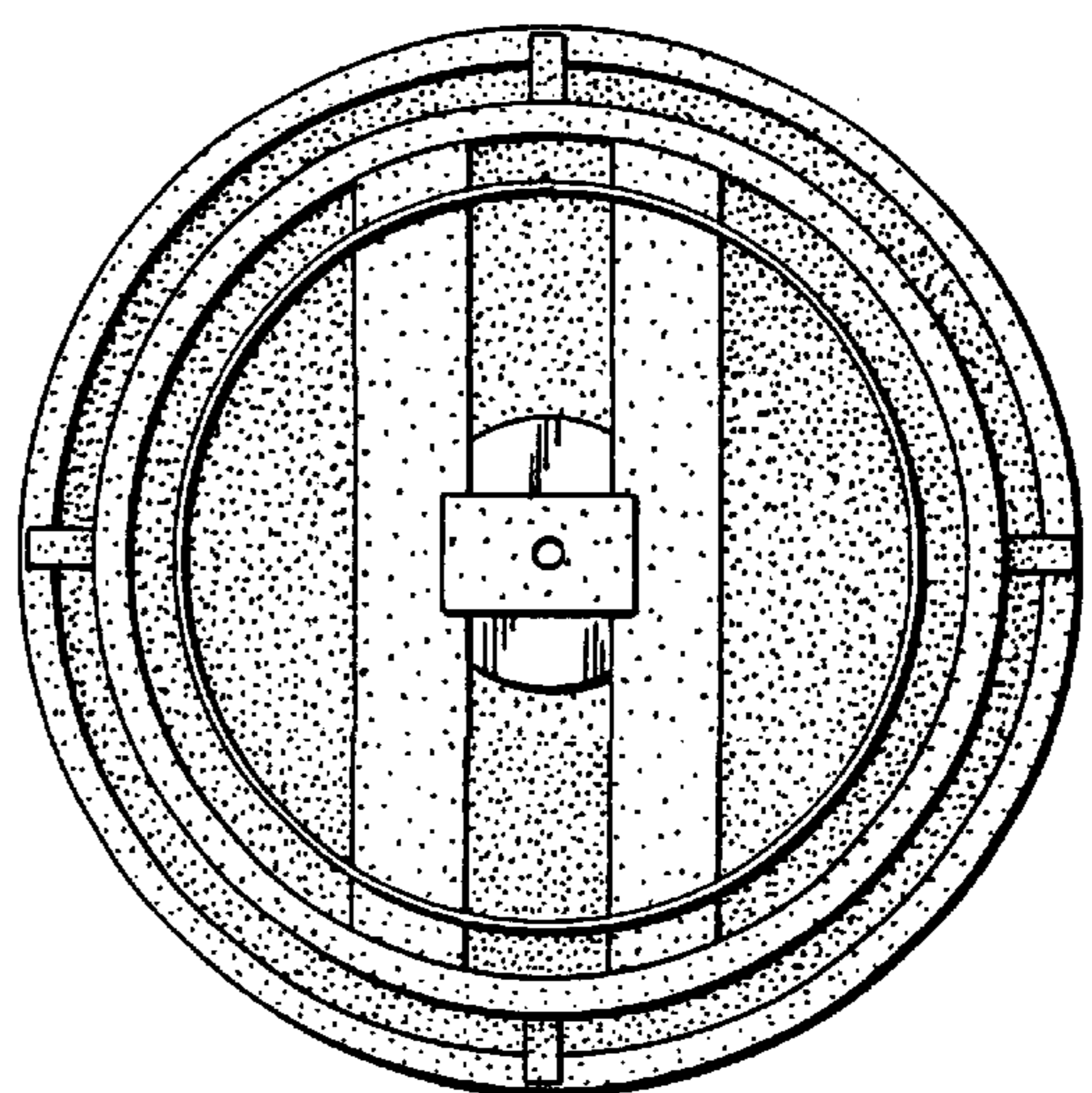


FIG. 14

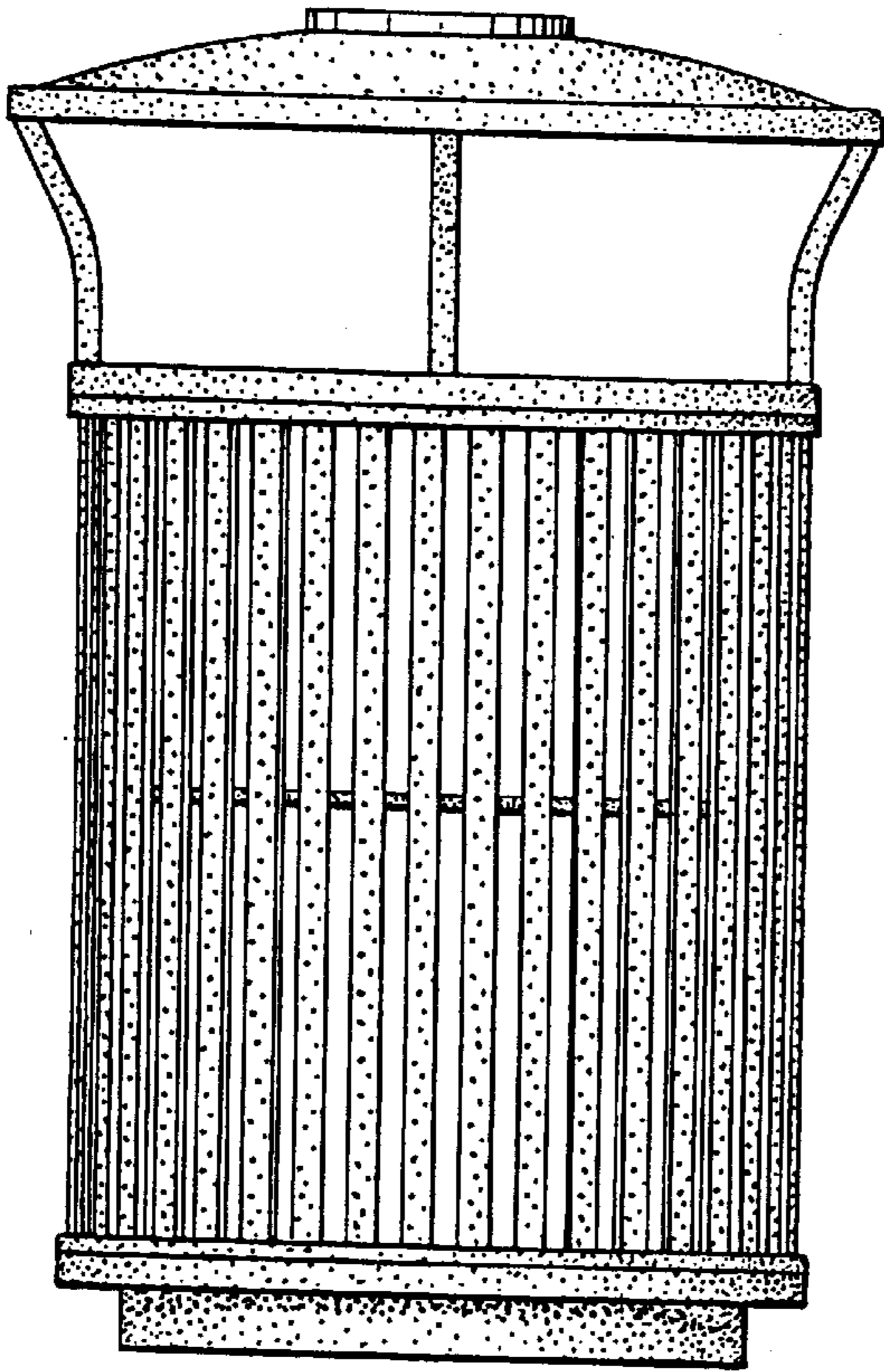


FIG. 11

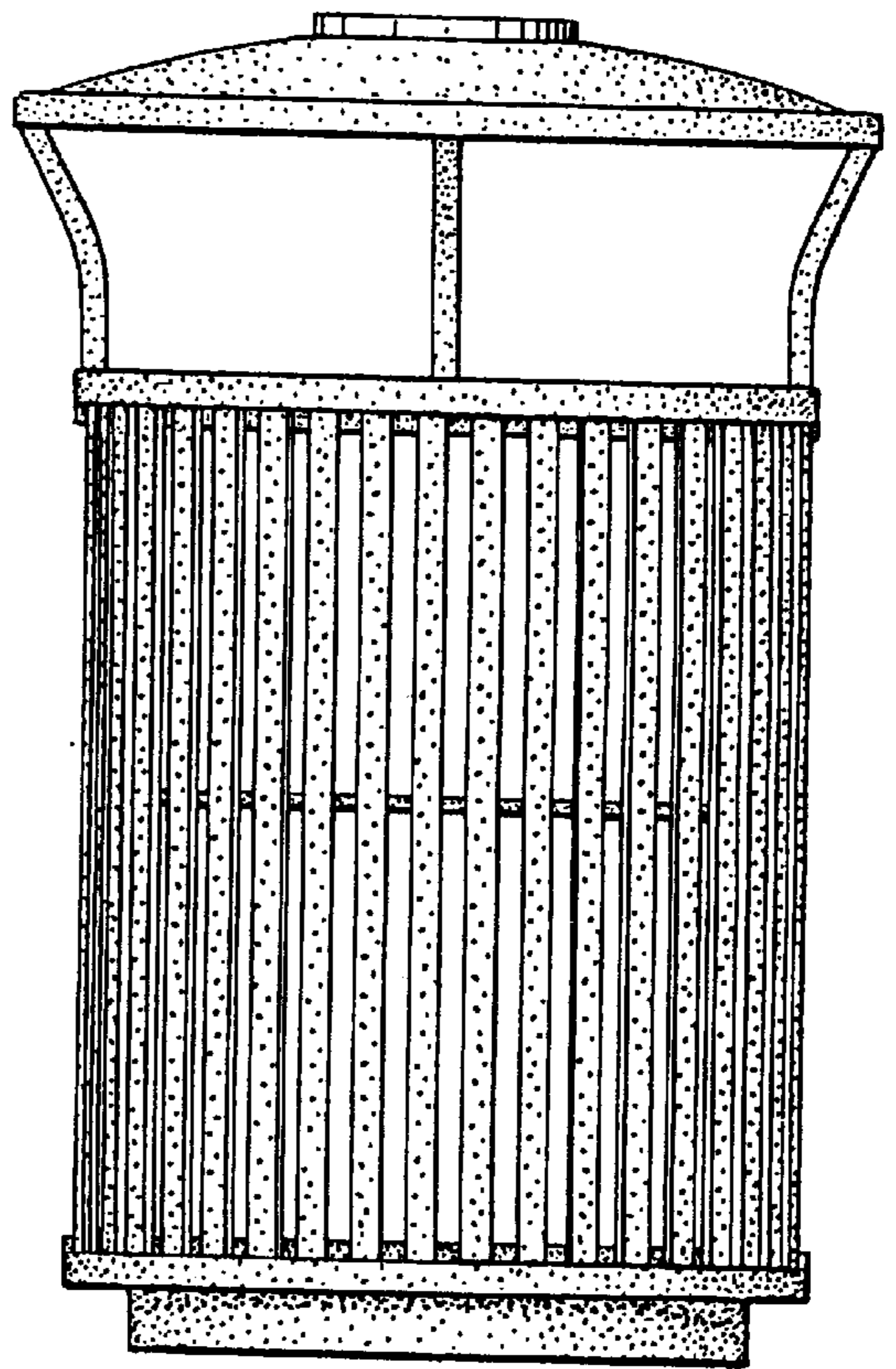


FIG. 12

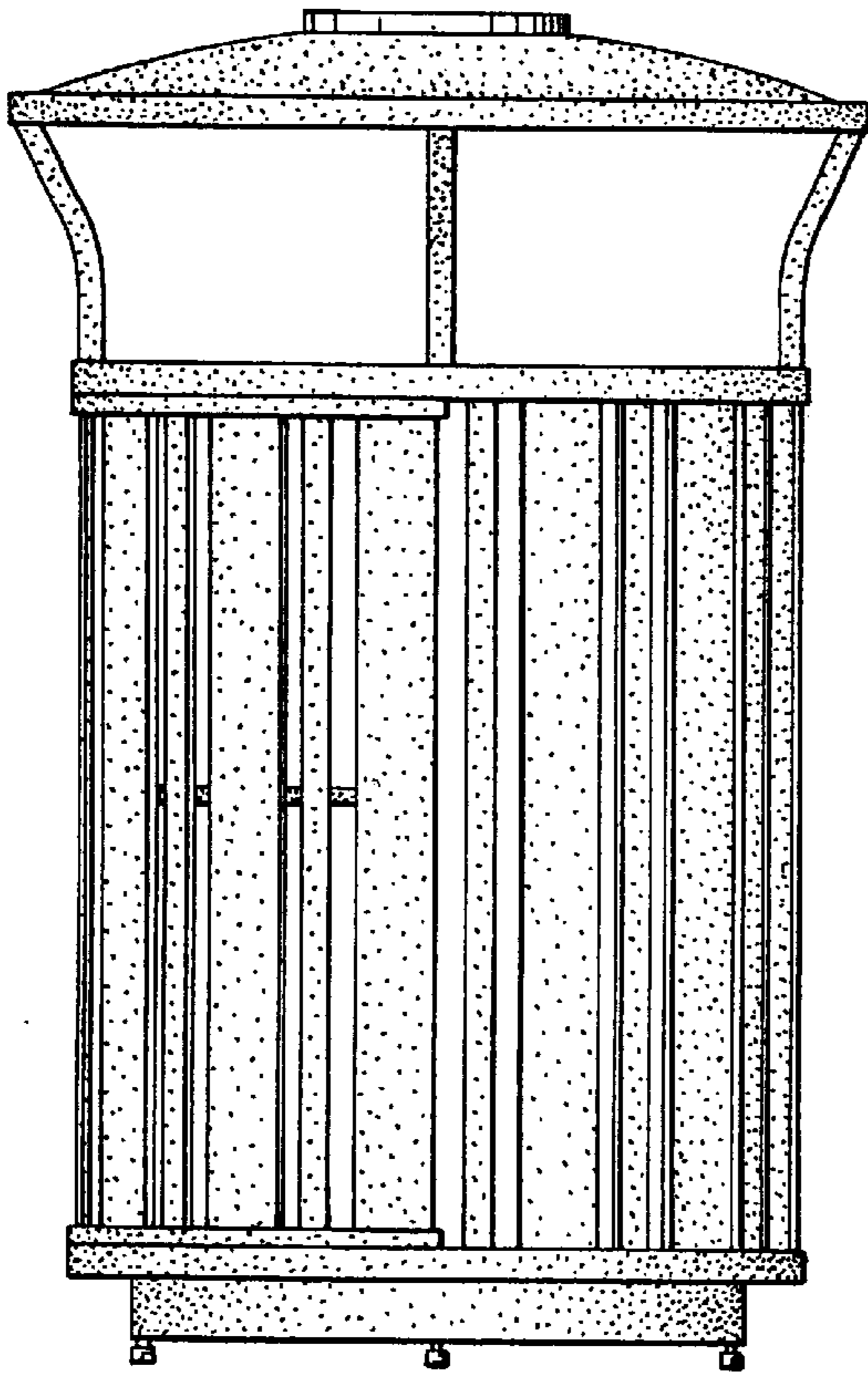


FIG. 15

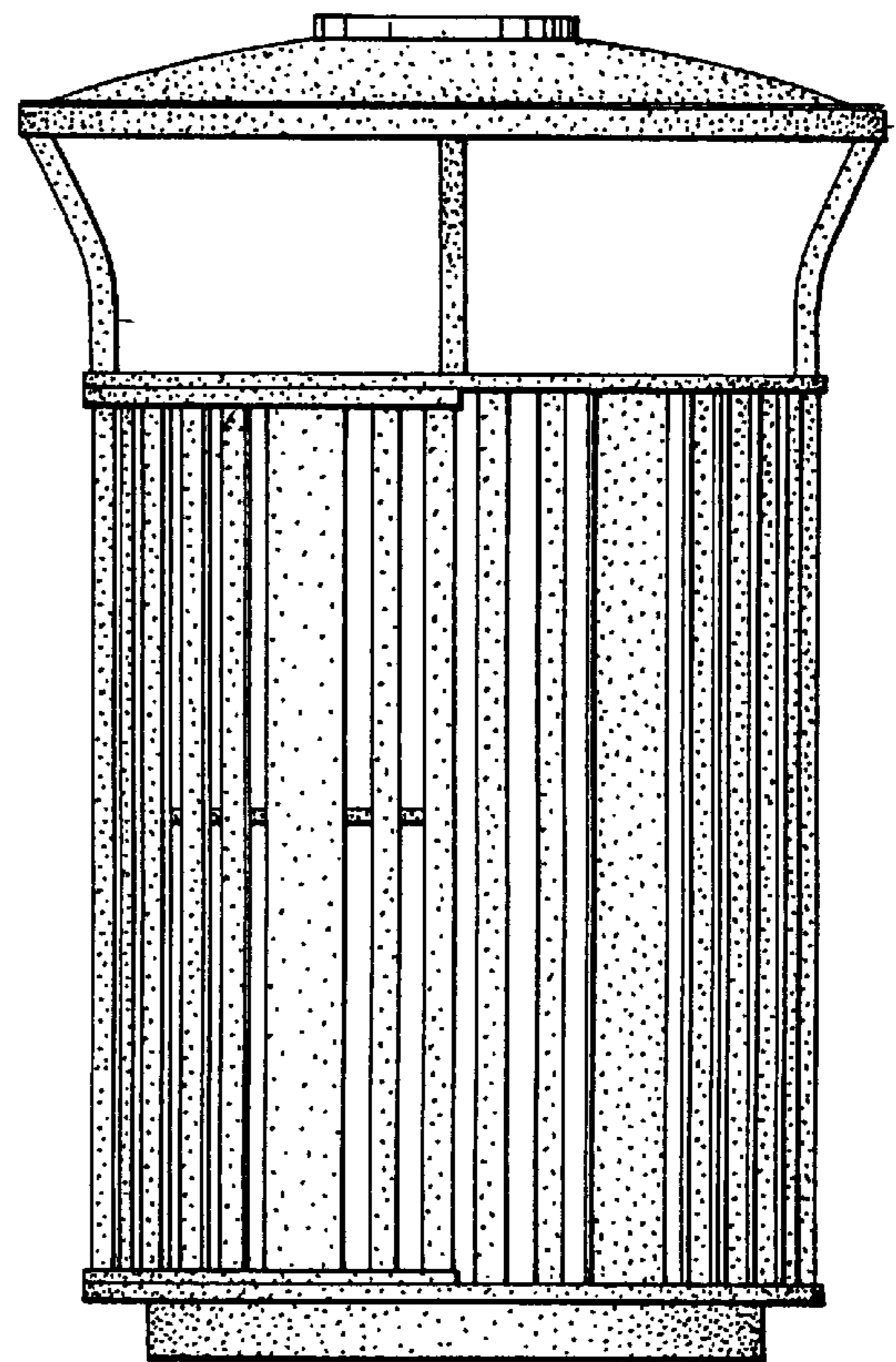


FIG. 16

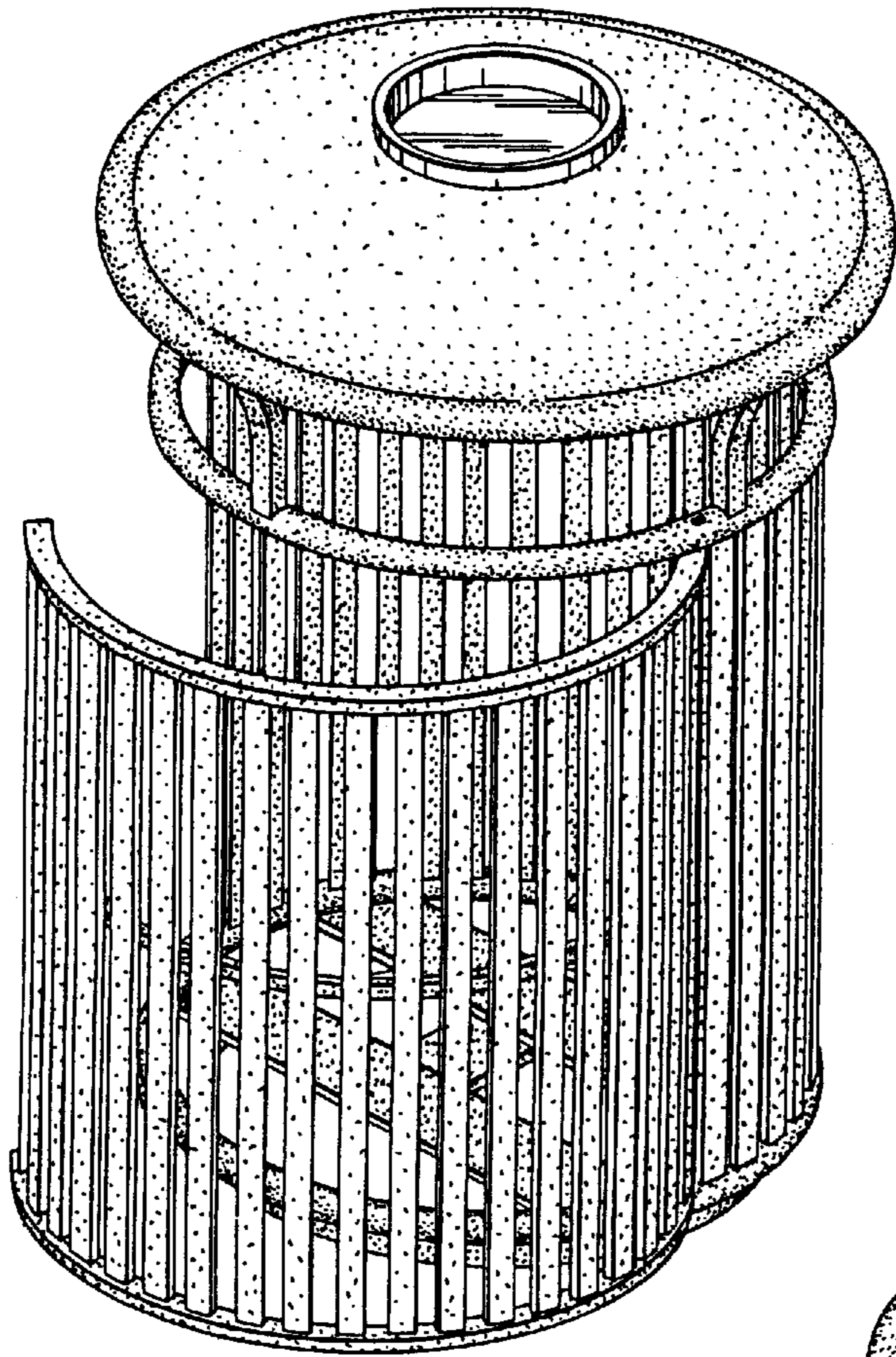


FIG. 17

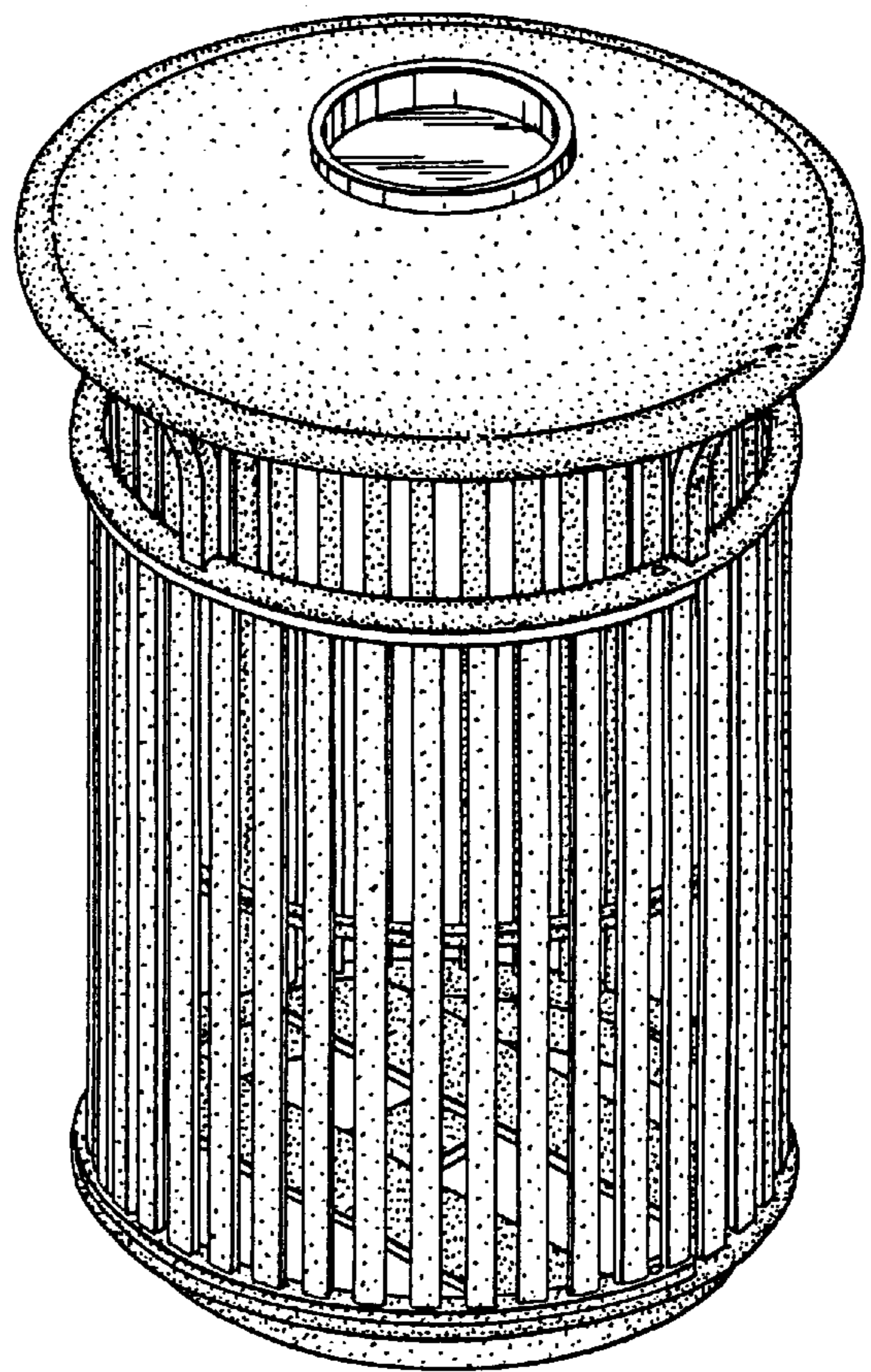


FIG. 18

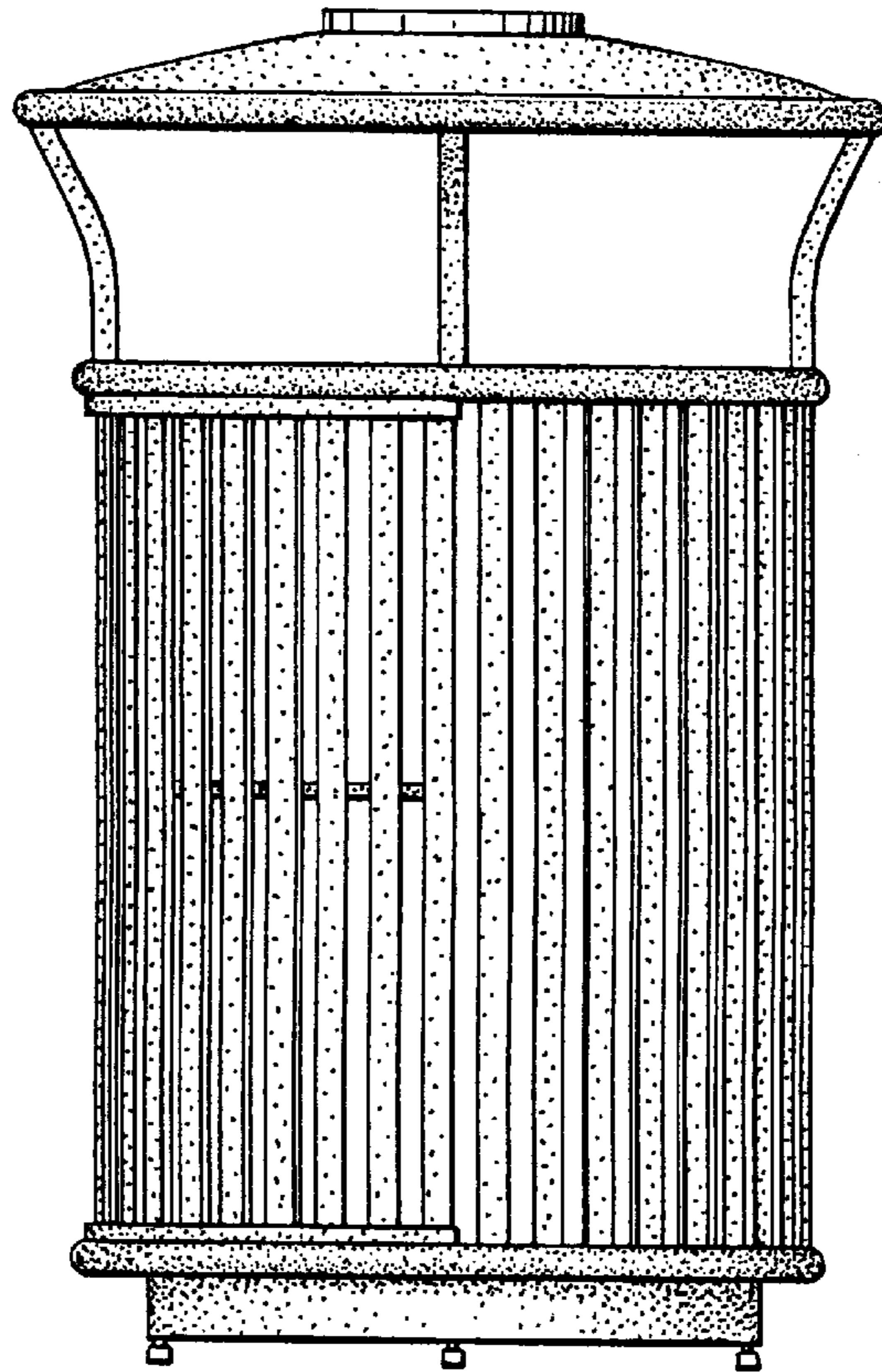


FIG. 19

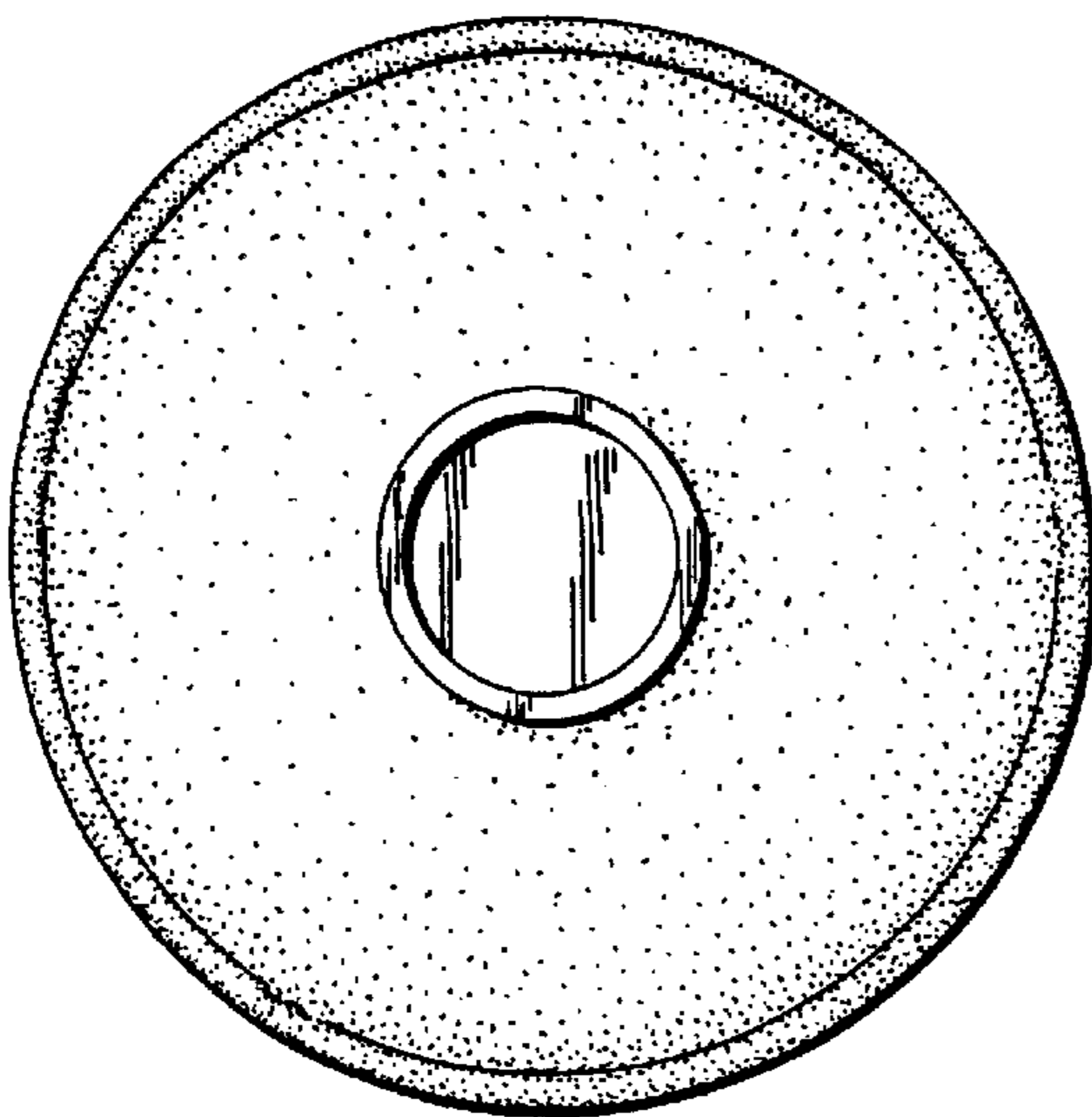


FIG. 22

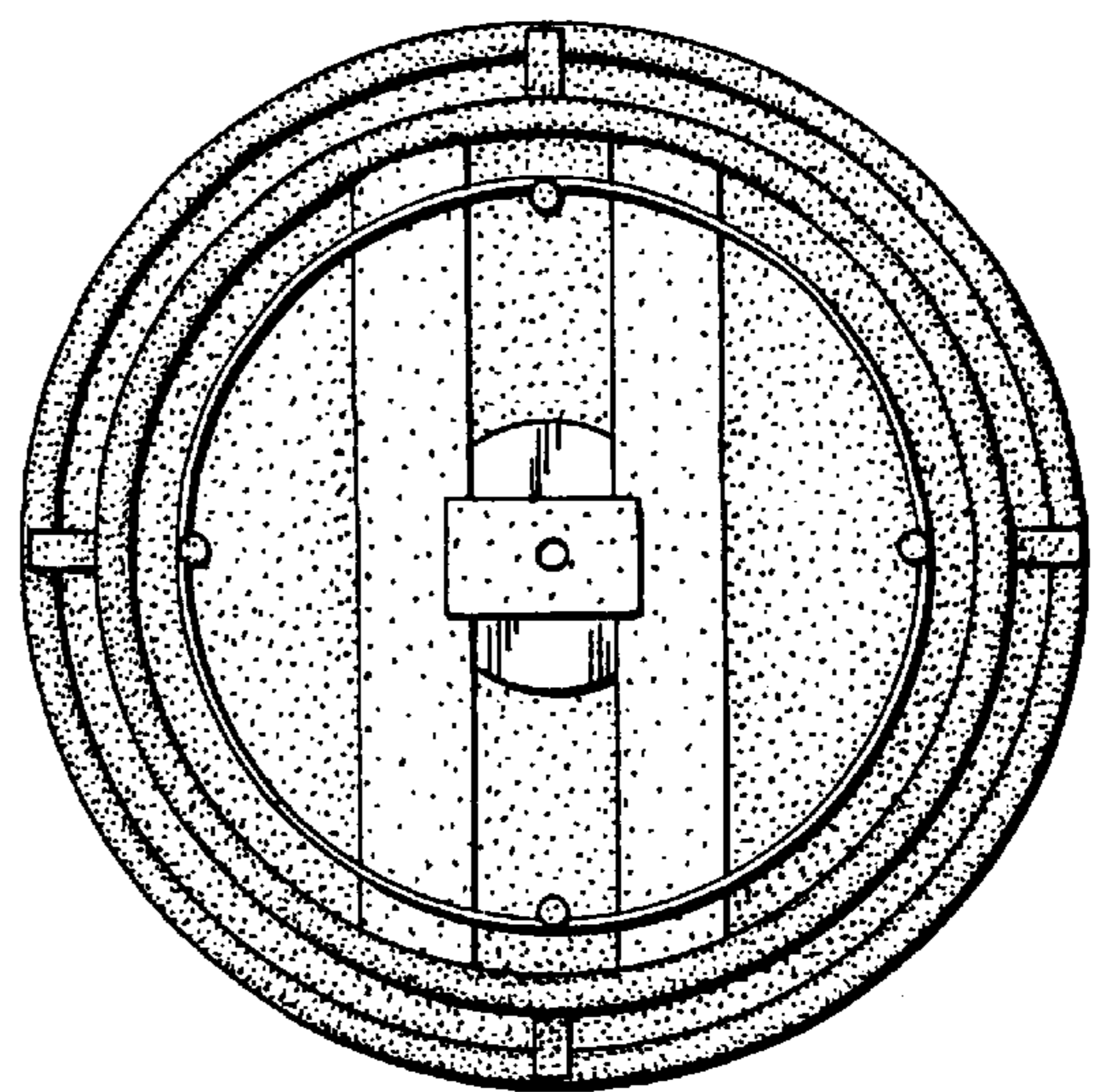


FIG. 23

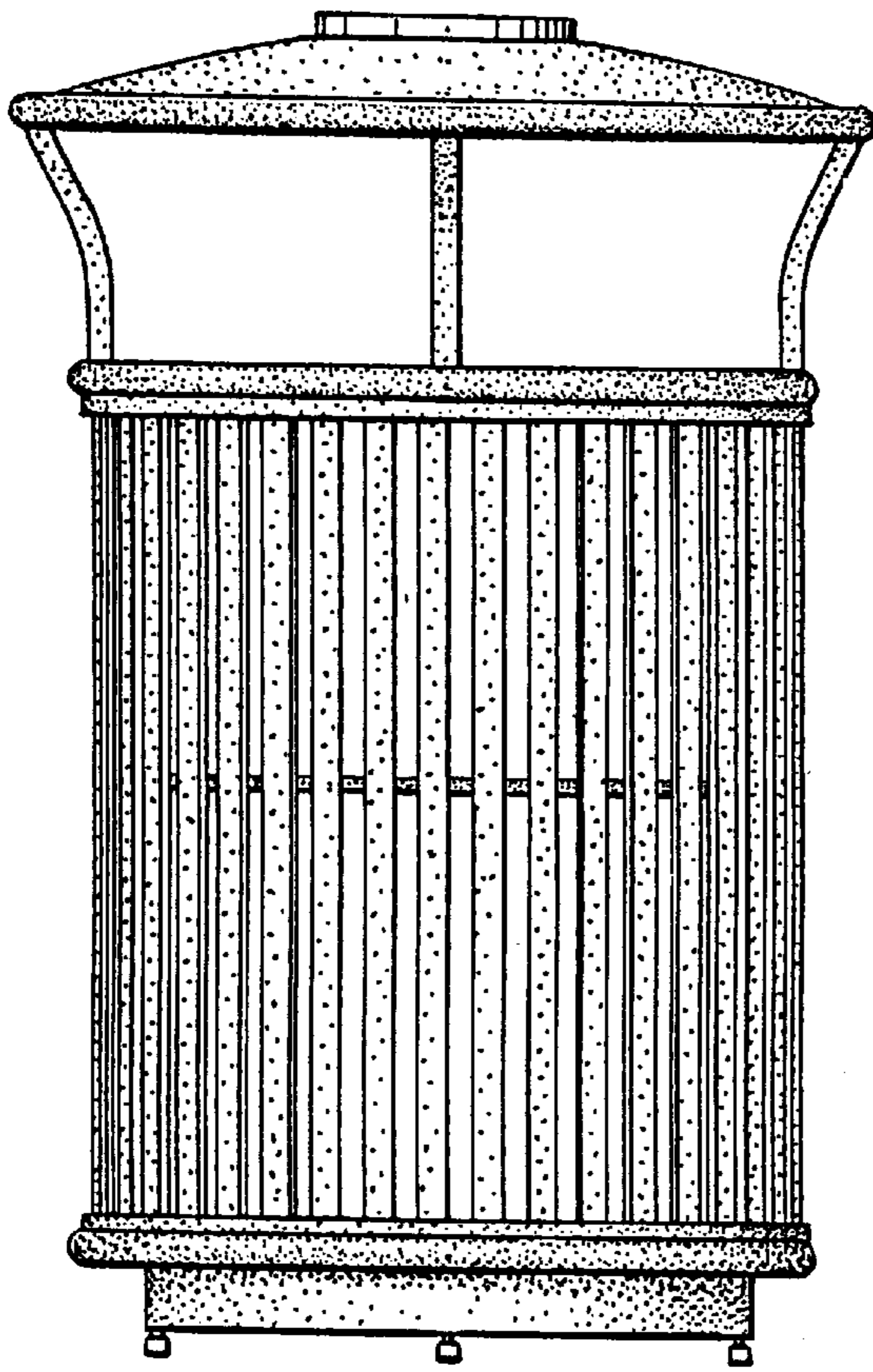


FIG. 20

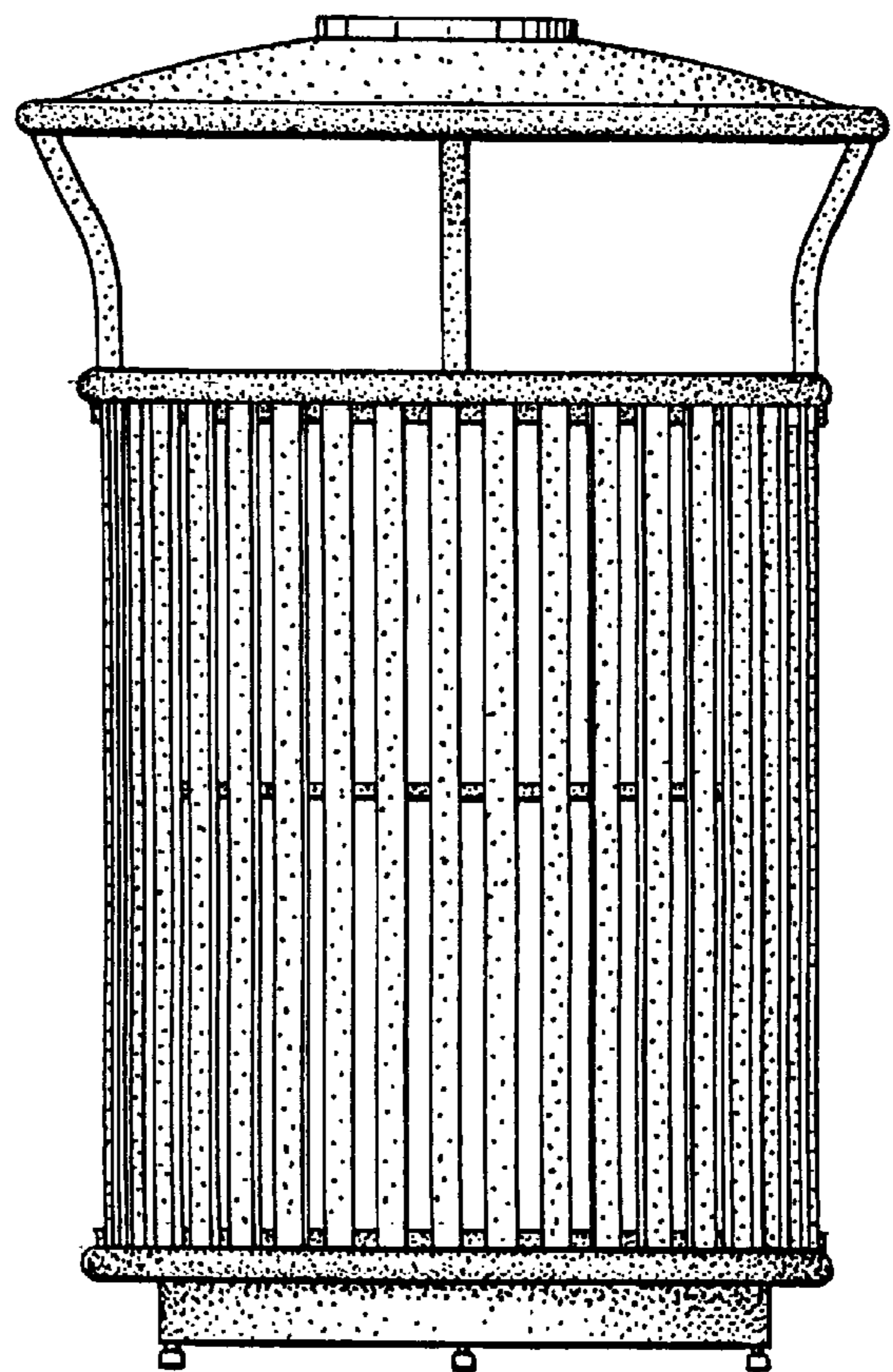


FIG. 21