



US00D452748B1

(12) **United States Design Patent**
Dolan

(10) **Patent No.:** **US D452,748 S**

(45) **Date of Patent:** **** Jan. 1, 2002**

(54) **LAMP GLASS SHADE**

(76) **Inventor:** **Patrick S. Dolan**, 1901 NW. Upshur,
Portland, OR (US) 97209

(**) **Term:** **14 Years**

(21) **Appl. No.:** **29/099,080**

(22) **Filed:** **Jan. 13, 1999**

(51) **LOC (7) Cl.** **26-05**

(52) **U.S. Cl.** **D26/134**

(58) **Field of Search** D26/118, 127-136,
D26/81, 82, 83, 84, 88, 89; 362/326, 334,
335, 337, 338, 339, 340, 351, 355

(56) **References Cited**

U.S. PATENT DOCUMENTS

D19,279 S * 8/1889 Webb D26/133

D41,680 S * 8/1911 Young D26/134

D394,126 S * 5/1998 Dolan D26/134

D394,127 S * 5/1998 Dolan D26/134

D405,215 S * 2/1999 Dolan D26/134

* cited by examiner

Primary Examiner—Susan J. Lucas

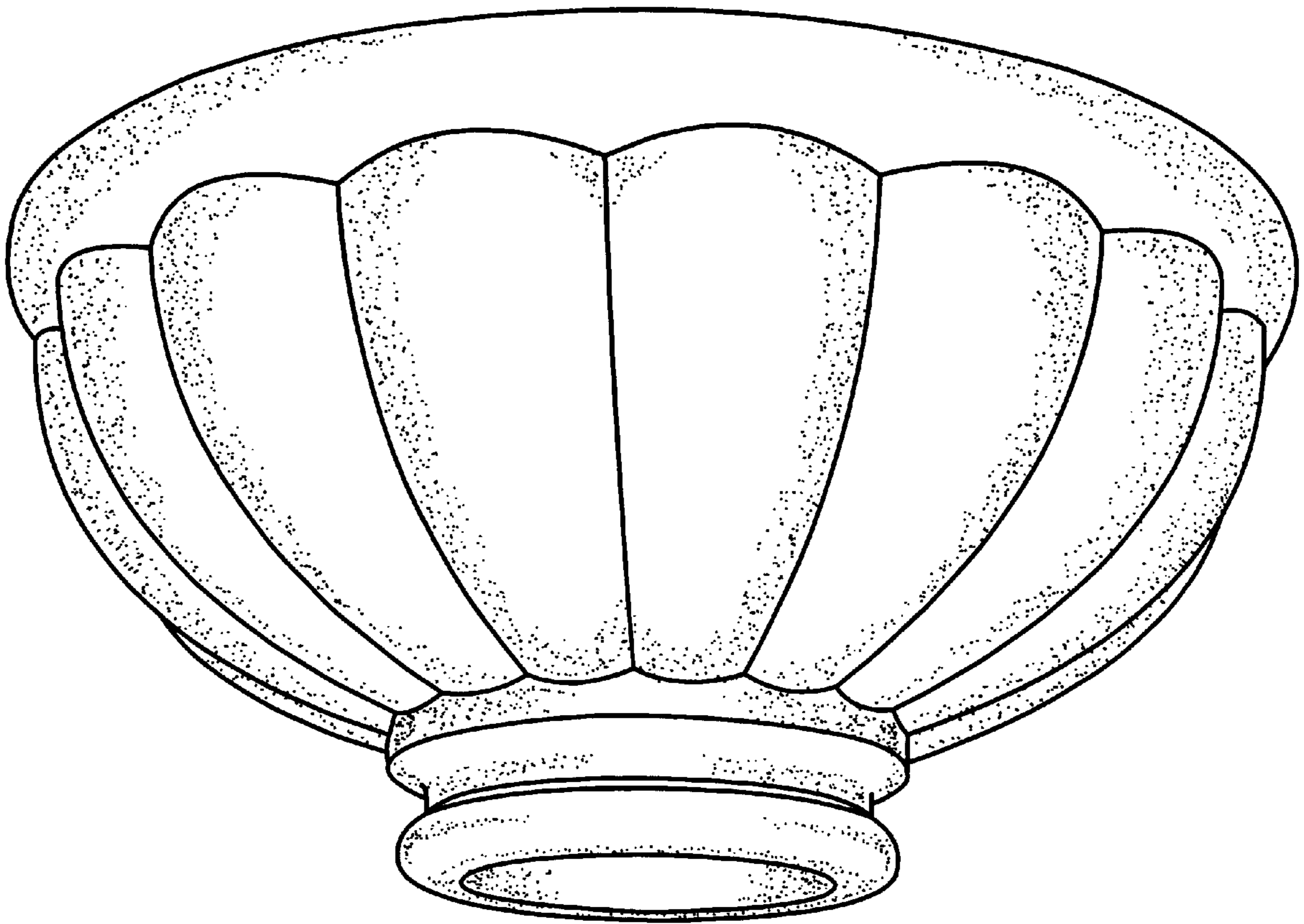
(57) **CLAIM**

The ornamental design for a lamp glass shade, as shown and described.

DESCRIPTION

FIG. 1 is a perspective view thereof;
FIG. 2 is an elevational view thereof, all sides being identical;
FIG. 3 is a top plan view thereof; and,
FIG. 4 is a bottom plan view thereof.

1 Claim, 4 Drawing Sheets



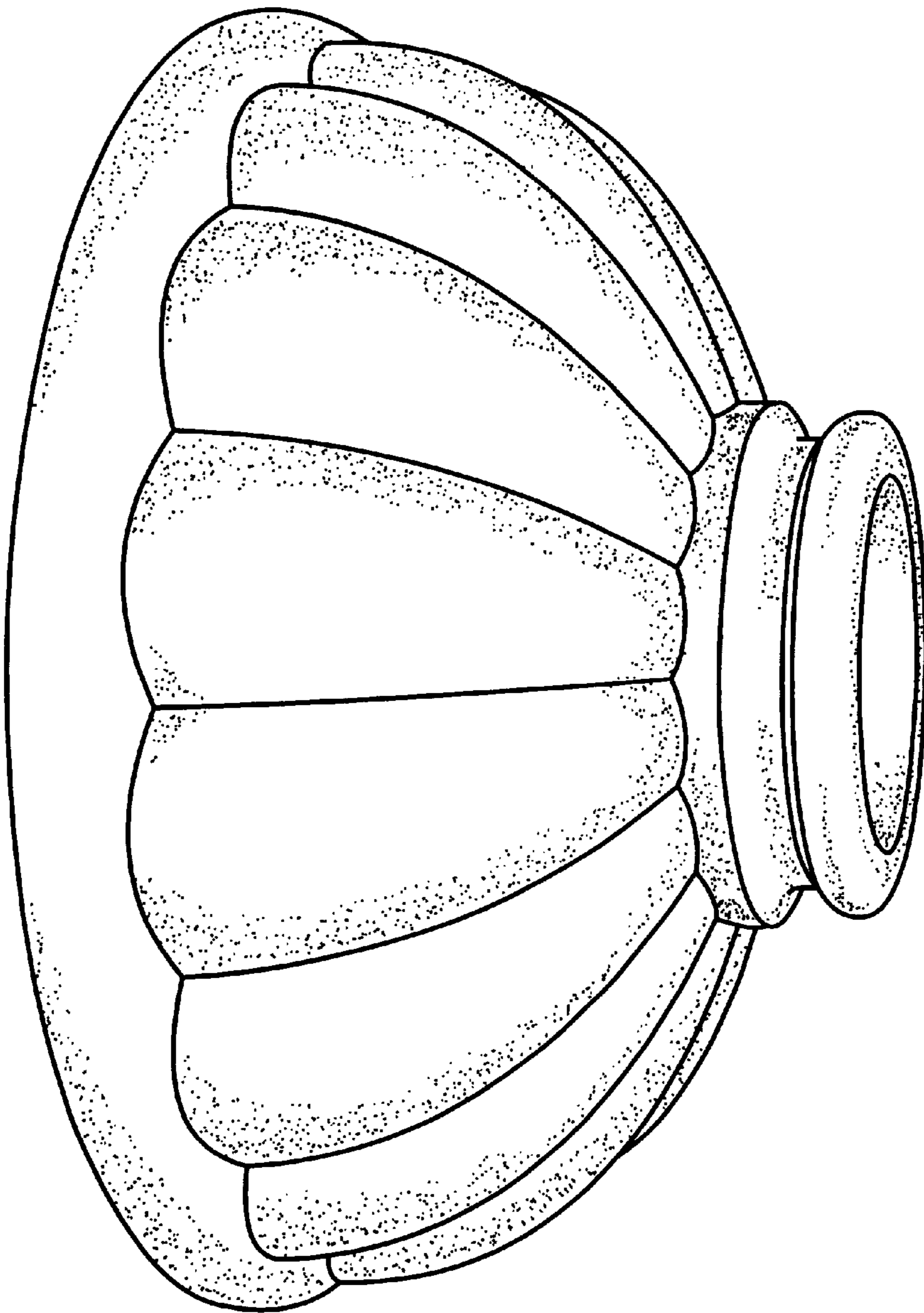


FIG. 1

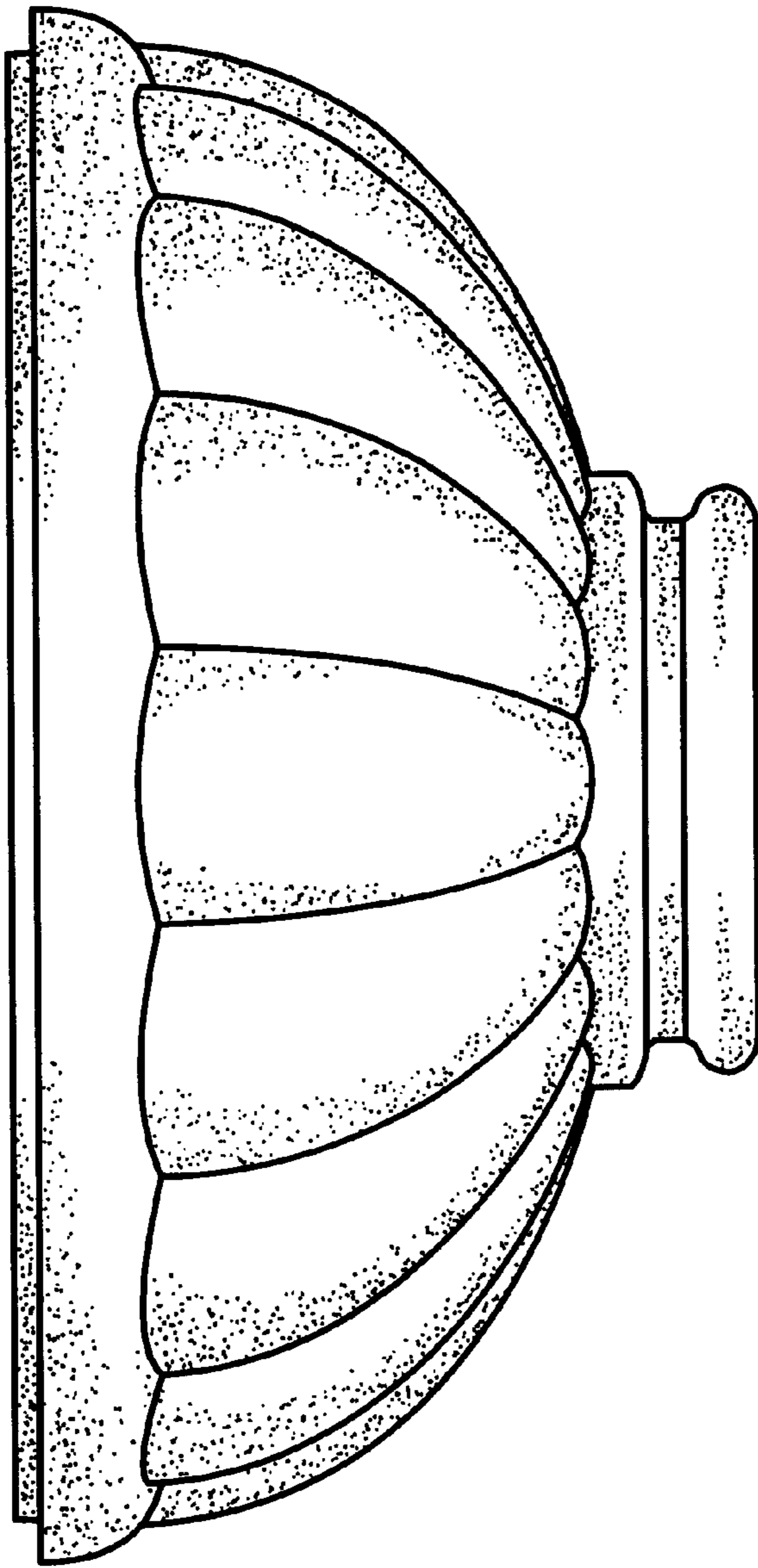


FIG. 2

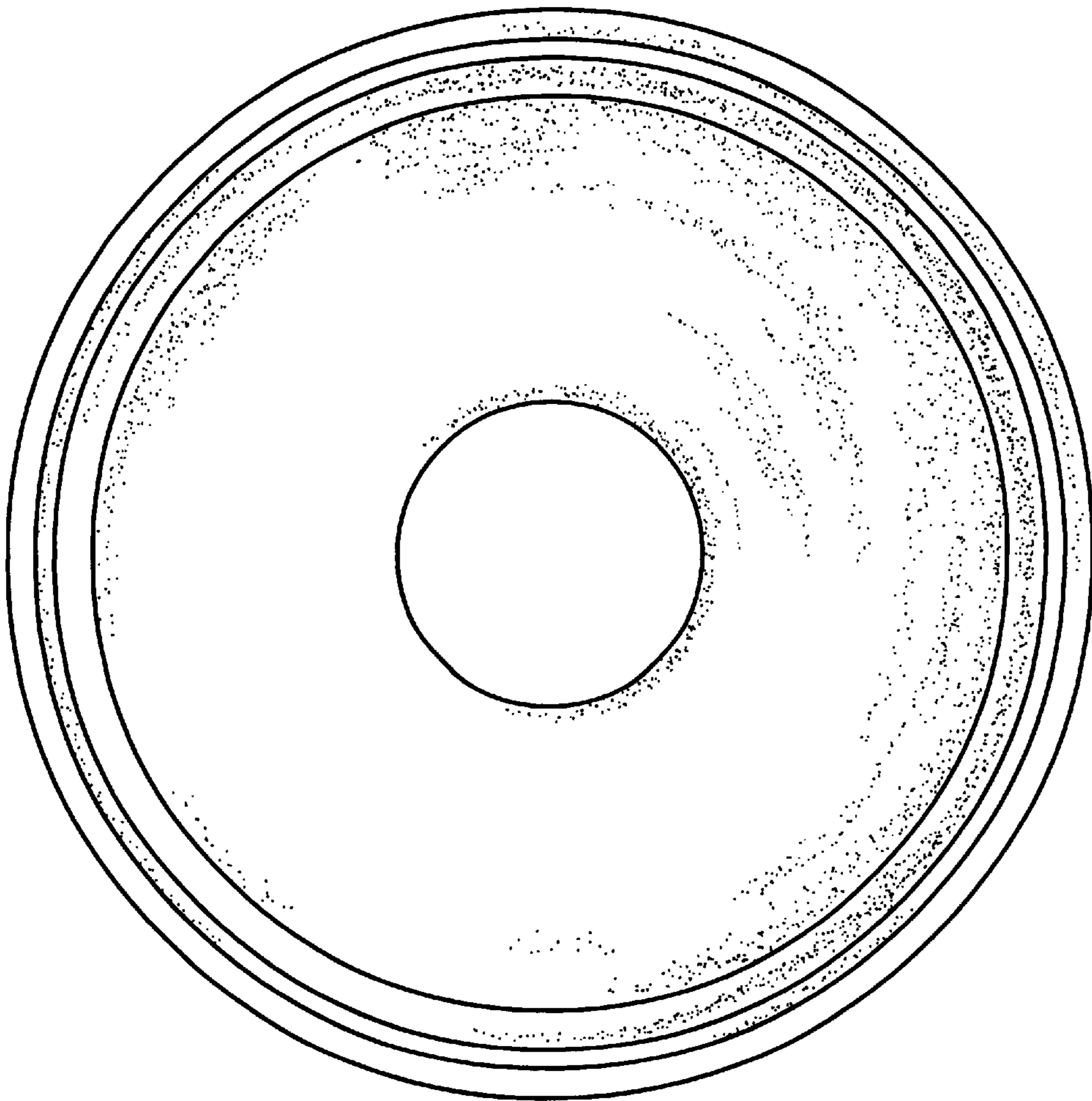


FIG. 3

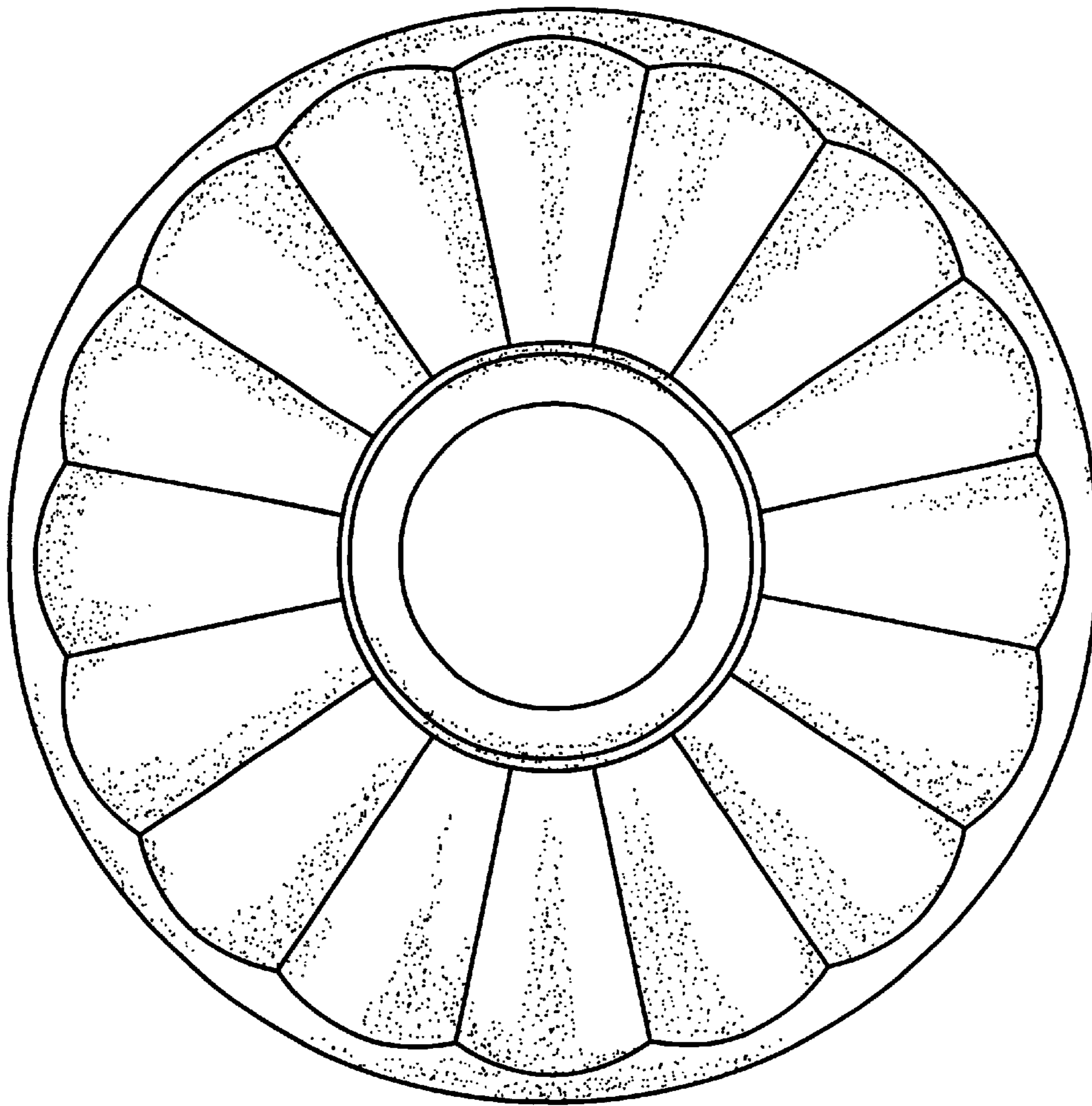


FIG. 4