



US00D452742B1

(12) **United States Design Patent**
Takahashi

(10) **Patent No.:** **US D452,742 S**

(45) **Date of Patent:** **** Jan. 1, 2002**

(54) **STEP FOR CLIMBING WALL SURFACE**

(75) Inventor: **Eizo Takahashi**, Soka (JP)

(73) Assignee: **Miyama Kogyo Co., Ltd.**, Soka (JP)

(**) Term: **14 Years**

(21) Appl. No.: **29/112,366**

(22) Filed: **Oct. 15, 1999**

(30) **Foreign Application Priority Data**

Apr. 15, 1999 (JP) 11-9945

(51) **LOC (7) Cl.** **25-04**

(52) **U.S. Cl.** **D25/69**

(58) **Field of Search** 182/90, 92; D25/69

(56) **References Cited**

U.S. PATENT DOCUMENTS

4,869,342 A * 9/1989 Borst 182/90
D304,376 S * 10/1989 Robertson D25/69

OTHER PUBLICATIONS

U.S. application No. 29/106,669, filed Jun. 22, 1999, pending.

U.S. application No. 29/108,855, filed Aug. 5, 1999, pending.

U.S. application No. 29/108,856, filed Aug. 5, 1999, pending.

* cited by examiner

Primary Examiner—Doris Clark

(74) *Attorney, Agent, or Firm*—Oblon, Spivak, McClelland, Maier & Neustadt, P.C.

(57) **CLAIM**

The ornamental design for step for climbing wall surface, as shown and described.

DESCRIPTION

FIG. 1 is a top and right front perspective view of step for climbing wall surface showing my new design;
FIG. 2 is a bottom and left front perspective view thereof;
FIG. 3 is a front elevational view thereof;
FIG. 4 is a rear elevational view thereof;
FIG. 5 is a top plan view thereof;
FIG. 6 is a bottom plan view thereof;
FIG. 7 is a left side elevational view thereof;
FIG. 8 is a cross-sectional view thereof taken along line 8—8 in FIG. 5;
FIG. 9 is a cross-sectional view thereof taken along line 9—9 in FIG. 5; and,
FIG. 10 is a cross-sectional view thereof taken along line 10—10 in FIG. 5.

1 Claim, 6 Drawing Sheets

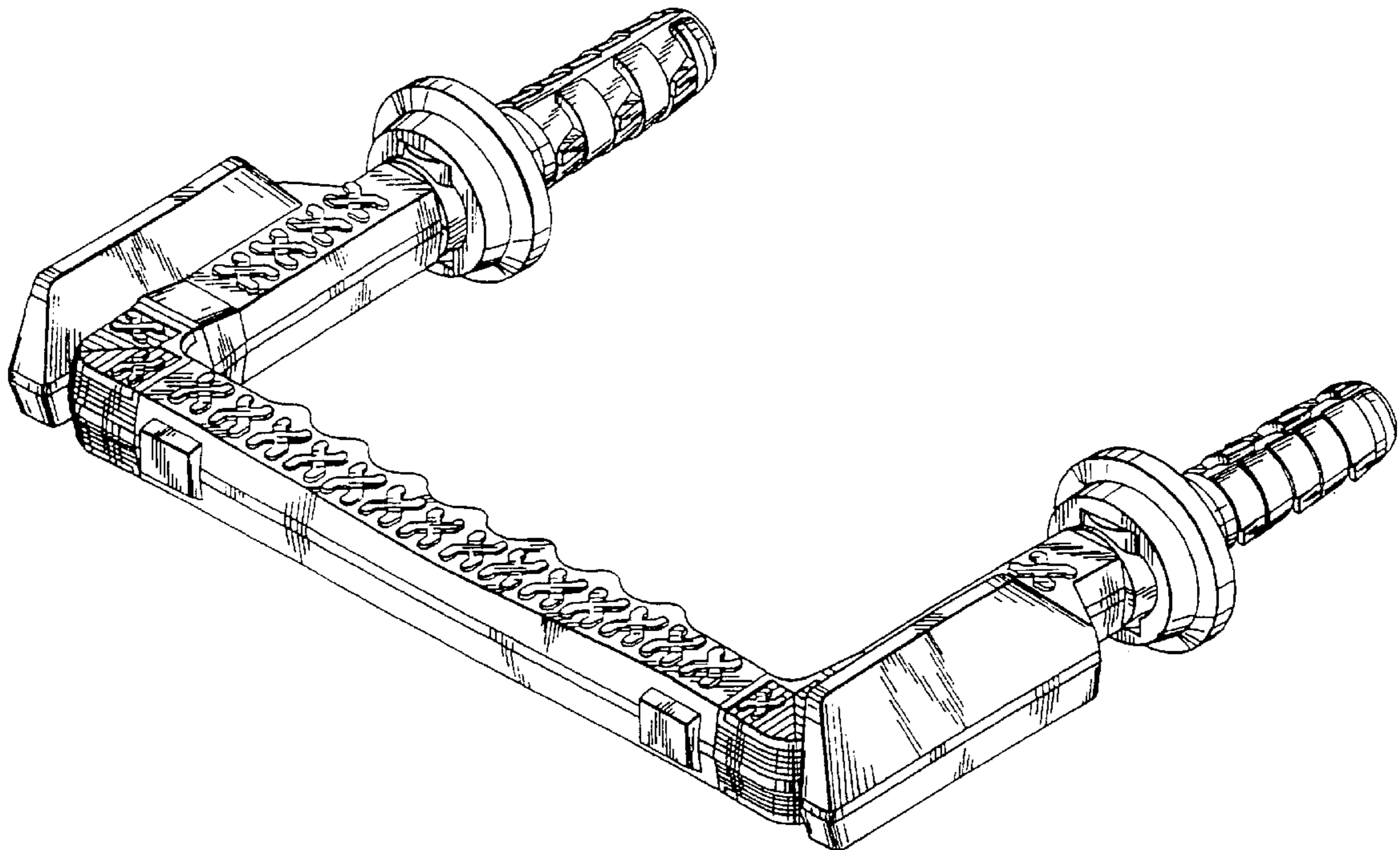


FIG. 1

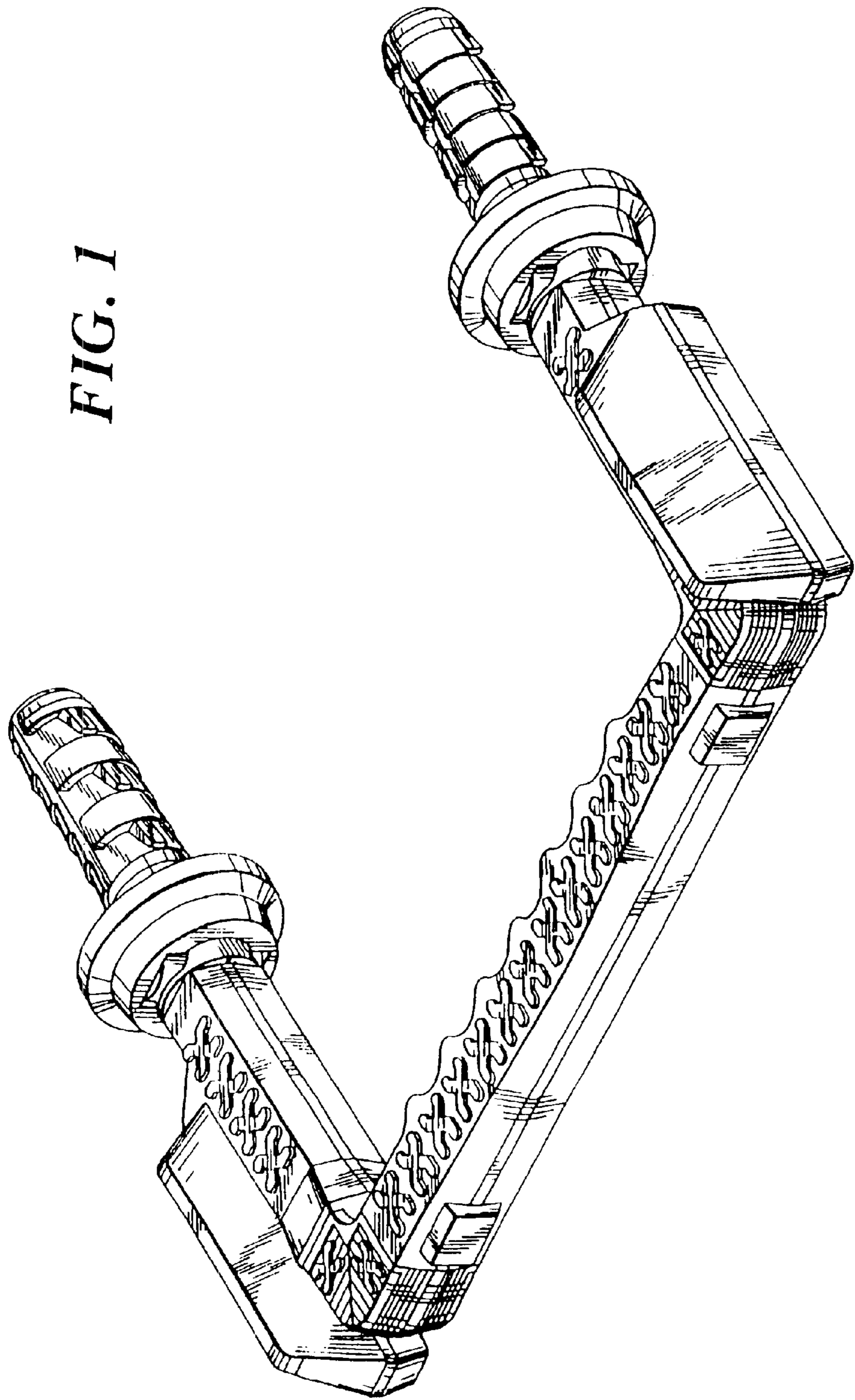
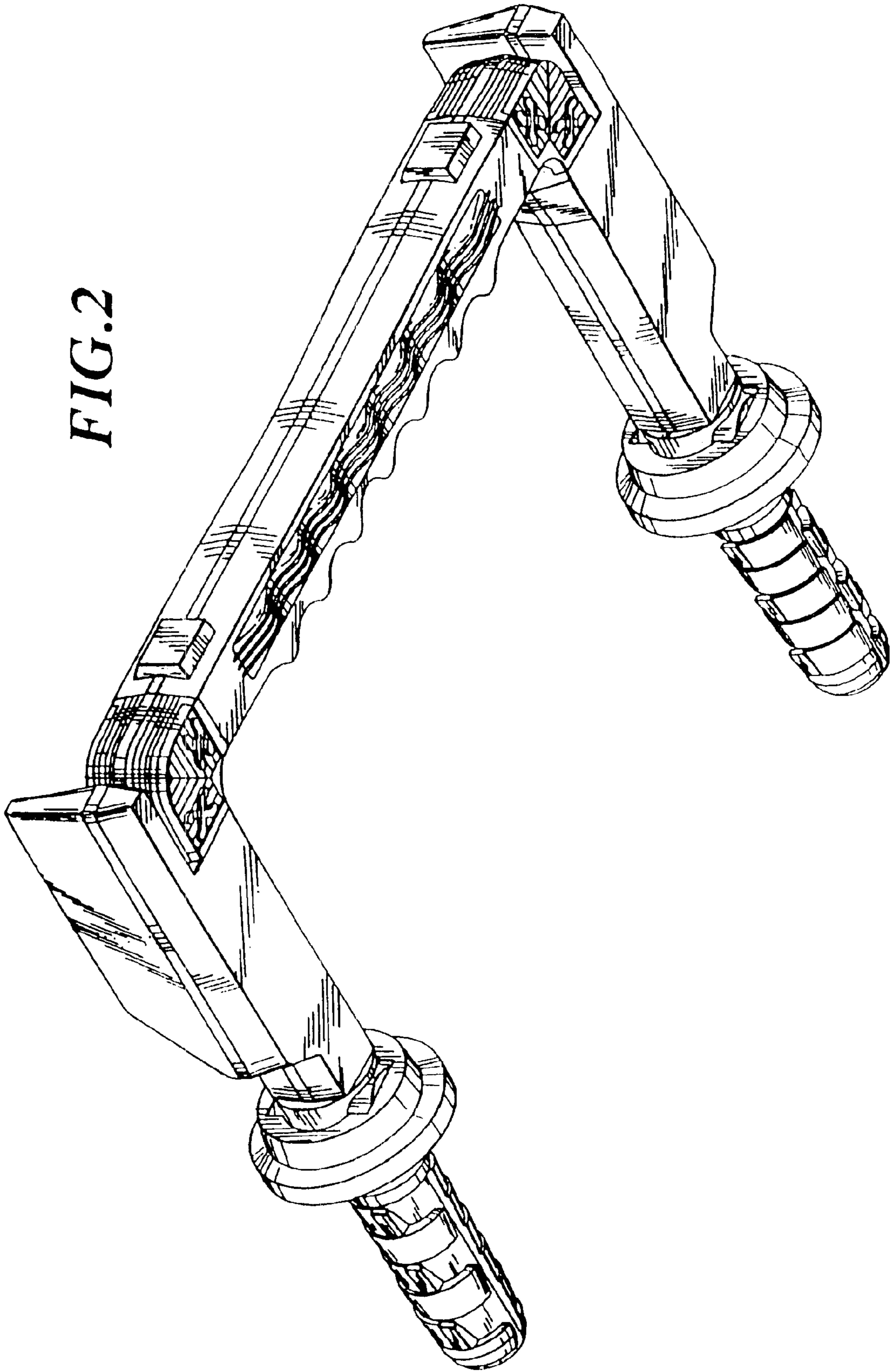


FIG. 2



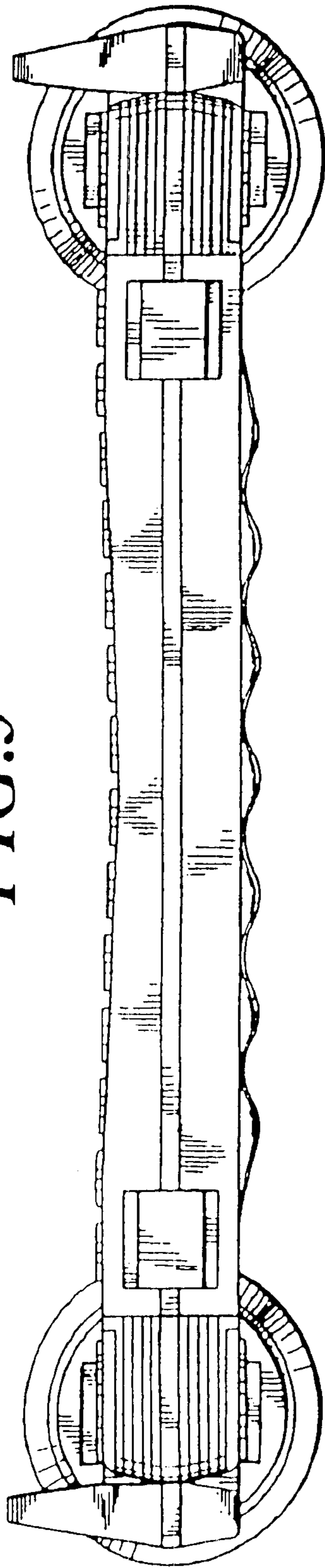


FIG. 3

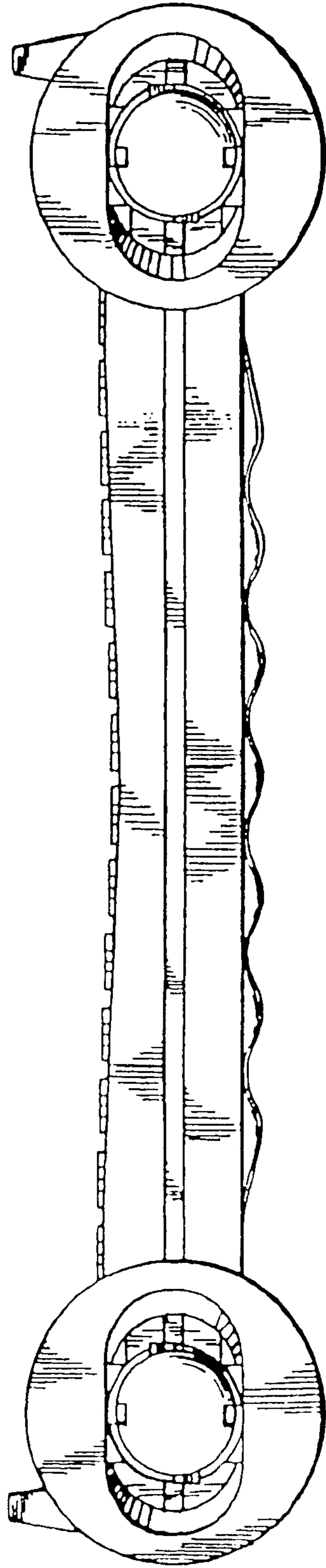


FIG. 4

FIG. 5

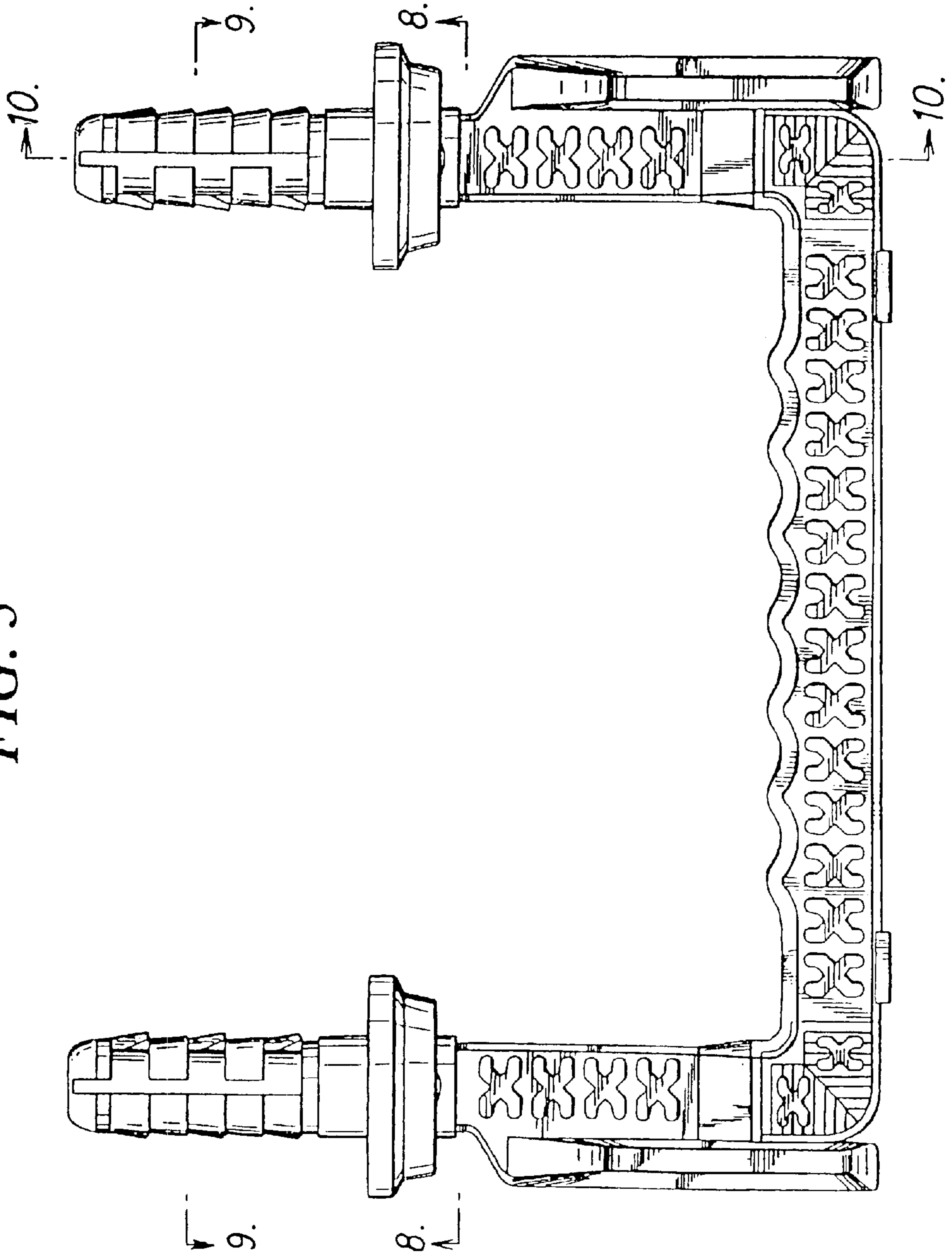


FIG. 6

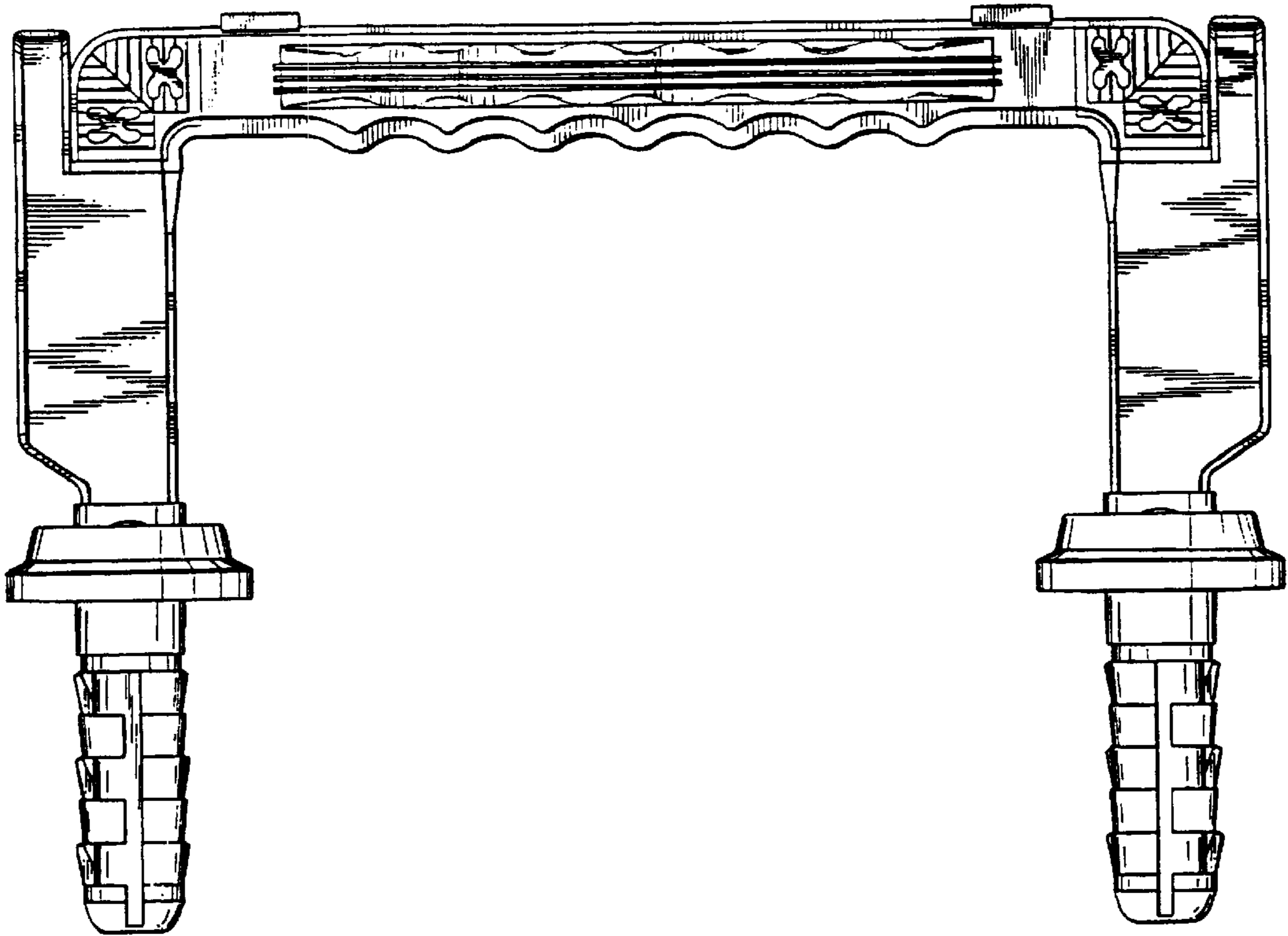


FIG. 7

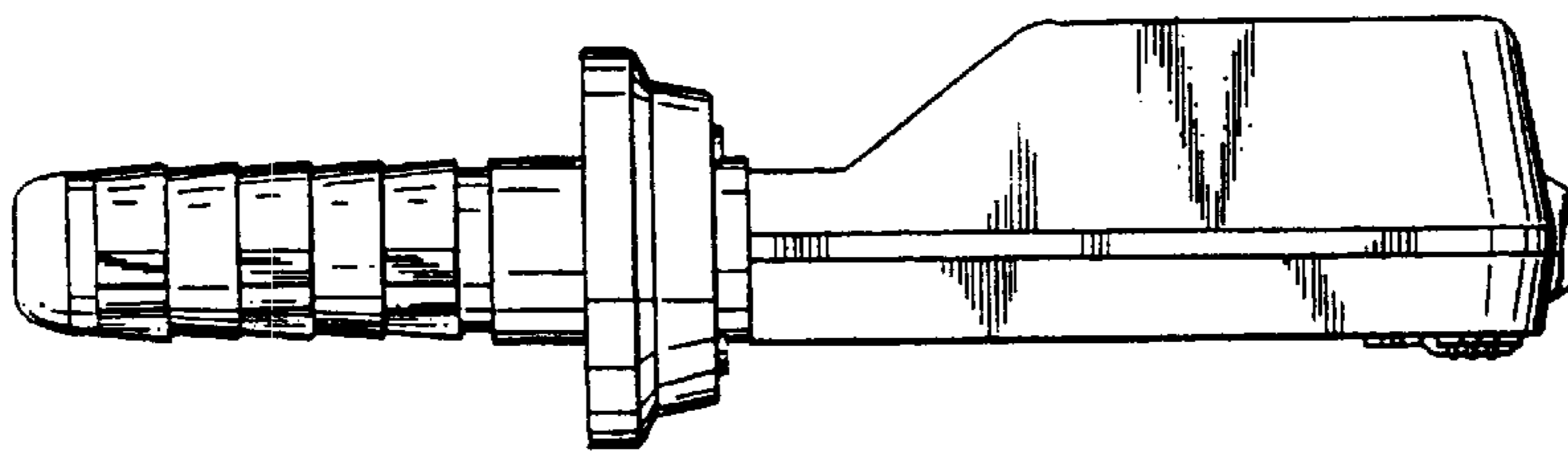


FIG. 8



FIG. 9

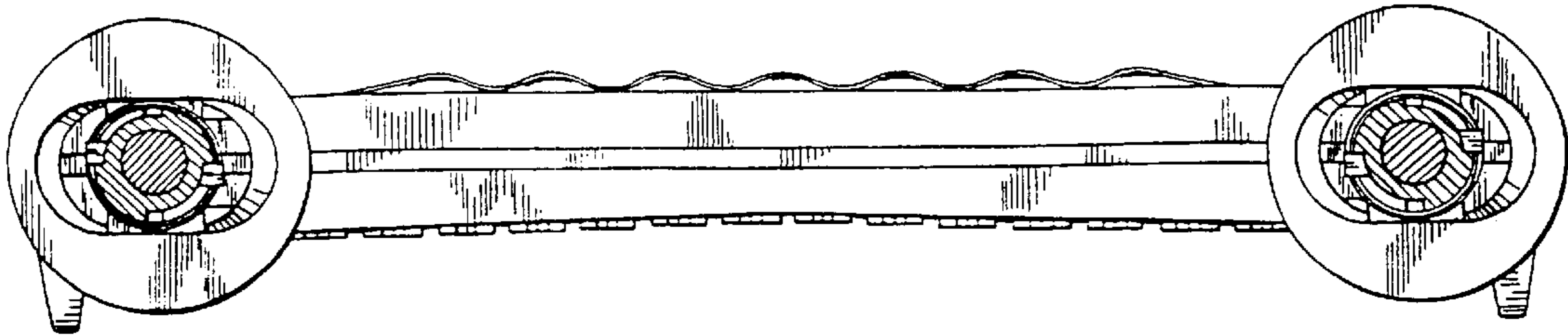


FIG. 10

